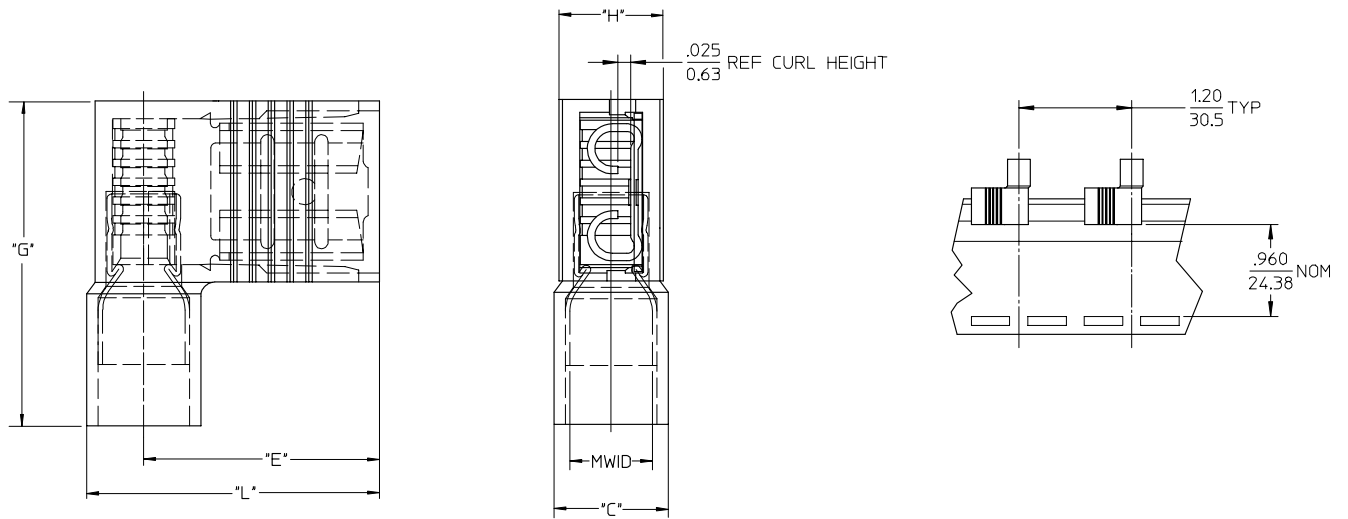


10	9	8	7	6	5	4	3	2	19006				
MATERIAL NO.	ENG. NO.	MATERIAL NO. TAPE MOUNTED	ENG. NO. TAPE MOUNTED	MATERIAL NO. STRIP MOUNTED	ENG. NO. STRIP MOUNTED	AWG	COLOR	MWID	"L" ±.015/.381	"E" ±.015/.381	"C" DIA ±.015/.381	"G" ±.015/.381	"H" ±.015/.381
190060001	AA-5220	190060003	AA-5220T	190060004	AA-5220Z	22-18	RED	.150/3.81	.620/15.75	.512/13.00	.222/5.64	.690/17.53	.196/4.98
190060011	BB-5221	190060013	BB-5221T	190060014	BB-5221Z	16-14	BLUE	.170/4.32	.500/12.70	.242/6.15	.690/17.53	.196/4.98	
190060019	C-5211	190060020	C-5211T	190060070	C-5211Z	12-10	YELLOW	.245/6.22	.667/16.94	.511/12.98	.311/7.90	.677/17.20	.246/6.25



SALES DRAWING

- NOTES:
1. MATERIAL: BRASS.  
PLATING: ELECTROPLATE TIN.
  2. INSULATION: NYLON.
  3. MWID=MAXIMUM WIRE INSULATION DIA.
  4. ALL DIMENSIONS IN INCHES (MM).

EC NO: ETC2004-0126 DRW: DMYRICK 2004/01/06 CHK: SBEITZEL 2004/01/06 APPR: RDEROSS 2004/01/07	QUALITY SYMBOLS	GENERAL TOLERANCES (UNLESS SPECIFIED)	SCALE NTS	DESIGN UNITS INCH	THIRD ANGLE PROJECTION	REVISE ON CAD ONLY															
	0 0	<table border="1"> <tr> <th></th> <th>mm</th> <th>INCH</th> </tr> <tr> <td>4 PLACES</td> <td>± .---</td> <td>± .---</td> </tr> <tr> <td>3 PLACES</td> <td>± .---</td> <td>± .005</td> </tr> <tr> <td>2 PLACES</td> <td>± 0.13</td> <td>± .01</td> </tr> <tr> <td>1 PLACE</td> <td>± 0.25</td> <td>± .---</td> </tr> </table>		mm	INCH	4 PLACES	± .---	± .---	3 PLACES	± .---	± .005	2 PLACES	± 0.13	± .01	1 PLACE	± 0.25	± .---	DIMENSION STYLE IN/MM	TITLE	AVIKRIMP FLAG FULLY INSULATED .250 TAB WIDTH	
			mm	INCH																	
		4 PLACES	± .---	± .---																	
3 PLACES	± .---	± .005																			
2 PLACES	± 0.13	± .01																			
1 PLACE	± 0.25	± .---																			
ANGULAR ±1/2° DRAFT WHERE APPLICABLE MUST REMAIN WITHIN DIMENSIONS	DRAWN BY DMYRICK DATE 03/12/26 CHECKED BY SBEITZEL DATE 03/12/26 APPROVED BY RDEROSS DATE 03/12/26	DIMENSION STYLE IN/MM TITLE MOLEX INCORPORATED (SEE CHART)	MATERIAL NO. DOCUMENT NO. SD-19006-001 SHEET NO. 1 OF 1																		
REV	THIS DRAWING CONTAINS INFORMATION THAT IS PROPRIETARY TO MOLEX INCORPORATED AND SHOULD NOT BE USED WITHOUT WRITTEN PERMISSION																				