

FEATURES AND SPECIFICATIONS

Features and Benefits

- 8-way RJ45 fully shielded plug
- 1-piece dual-function shield for optimal strain relief (hex crimp) and 360° shielding
- Selectively Gold-plated contact
- Terminates with 5.40 or 6.00mm LAN, STP or ISDN recommended round cables
- Rubber boot for ideal grip, color coded for line tracing and different network types
- Meets CAT 5 to EIA/TIA 568 B requirements (100 Mbits/s)

Reference Information

Product Specification: PS-95043-F
 Packaging: Bag
 CSA File No.: LR19980-478
 Mates With: WE Co. and FCC 68 jacks

Electrical

Voltage: 125V
 Current: 1.5A
 Contact Resistance: 20mΩ max.
 Dielectric Withstanding Voltage: 1000V rms
 Insulation Resistance: 500 MΩ min.

Mechanical

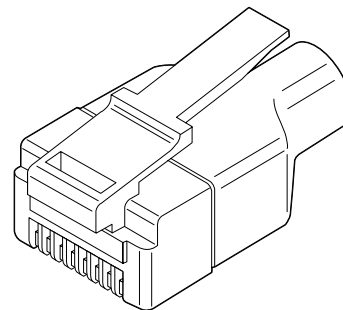
Cable to Plug Tensile Strength: 10kg (21 lb) min.

Physical

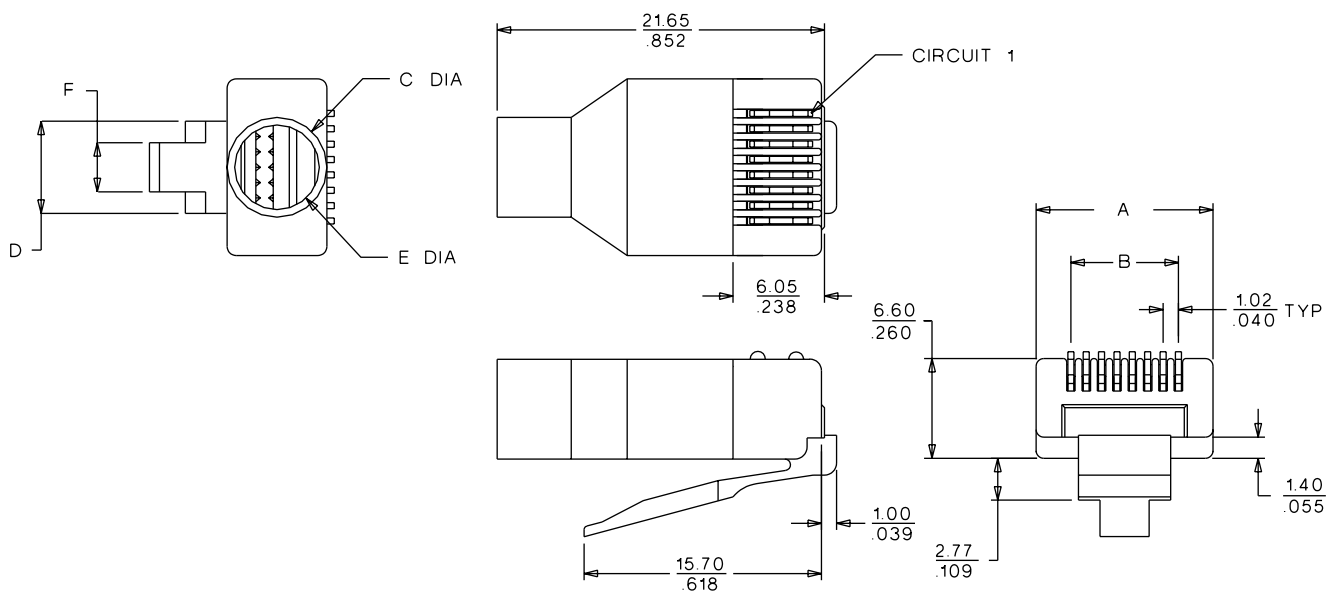
Housing: Natural polycarbonate, UL 94V-2
 Contact: Phosphor Bronze
 Plating: 1.27μm (50μ") Gold in contact area and Tin/Lead in pierce area, both over Nickel
 Operating Temperature: -40 to +60 °C

95043

8 Position, Shielded



CATALOG DRAWING (FOR REFERENCE ONLY)



ORDERING INFORMATION AND DIMENSIONS

Circuits	Loaded Contacts	Boot Color	Order No.		Dimension							
			For 5.40mm Cable	For 6.00mm Cable	A	B	C		D	E		F
							5.40mm Cable	6.00mm Cable		5.40mm Cable	6.00mm Cable	
8	8	Black	95043-2891	95043-5891	11.68 (.460)	7.11 (.280)	6.60 (.260)	7.20 (.283)	6.10 (.240)	5.60 (.220)	6.20 (.244)	3.25 (.128)
8	8	Beige/Gray	95043-2892	95043-5892								
8	8	Green	95043-2893	95043-5893								
8	8	Red	95043-2894	95043-5894								
8	8	Yellow	95043-2895	95043-5895								
8	8	Blue	95043-2896	95043-5896								
8	8	Without boot	95043-2881	95043-5881								