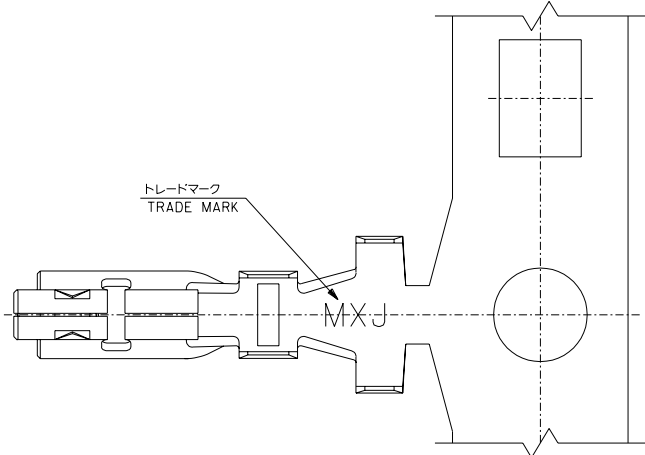


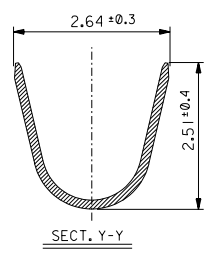
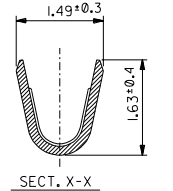
DWG. NO. SD-56134-005

8 7 6 5 4 3 2 1

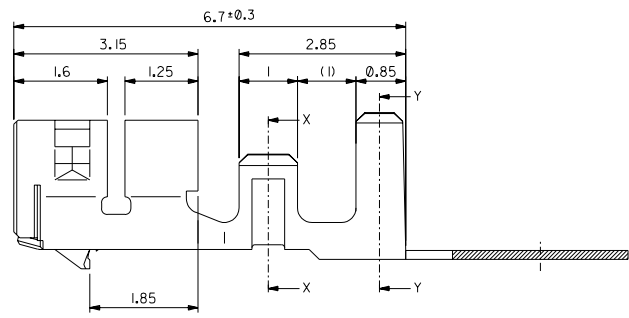
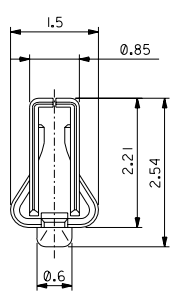


注記
NOTES

1. 使用材料 : 銅合金, 鍍メッキ (t=0.15)
MATERIAL : PRE-TINNED COPPER ALLOY
2. 適合ハウジング : 51242, 51382, 51353シリーズ
APPLICABLE HOUSING : 51242, 51382, 51353 SERIES



無鉛
LEAD FREE



56134-9100	バラ状 LOOSE
56134-9000	連鎖状 CHAIN
	端子形状 FORM

DO NOT SCALE DRAWING	E83ANO. DRWN: CH/KS APPR: AP/PR	E833NO. DRWN: CH/KS APPR: AP/PR	E832NO. J2003-3127 DRWN: N.ITO '03/06/12 CHK: K.ASAKAWA APPR: T.YAMAGUCHI	E831NO. J2002-2307 DRWN: N.ITO '02/03/18 CHK: K.ASAKAWA APPR: T.YAMAGUCHI	E830NO. J2002-1826 DRWN: N.ITO '02/02/28 CHK: K.ASAKAWA APPR: T.YAMAGUCHI	MATERIAL 材料 注記参照 SEE NOTES	GENERAL TOLERANCES: (UNLESS SPECIFIED) 一般公差		SCALE 15:1	DESIGN UNITS <input checked="" type="checkbox"/> mm <input type="checkbox"/> INCH	MODEL NO.	DIMENSIONS: <input type="checkbox"/> mm <input type="checkbox"/> INCH <input checked="" type="checkbox"/> mm ONLY		SHT	REV
							10 UNDER 未滿 +0.2	30 UNDER 未滿 +0.25	DRAWN BY & DATE N.ITO '02/02/28	TITLE: 2.0mm W-t-B CONN CRIMP RECEPTACLE	2	1			
						FINISH 仕上け //	10 OVER 以上 +0.3	30 OVER 以上 +0.3	CHECKED BY & DATE K.ASAKAWA '03/06/12	APPROVED BY & DATE T.YAMAGUCHI '03/06/12	MATERIAL NO.	DRAWING NO. SD-56134-005	SHEET NO. 1 OF 1	SIZE B	56134005.S01
						WIRE RANGE 適用電線範囲 0.086 ~ 0.4 mm ²	ANGLE 角度	+3°	CAD FILENAME 56134005.S01	SEE CHART				EN-02J(097) MXJ-54	
						INS. RANGE 被覆外径 0.9 ~ 1.7 mm	MATERIAL NO. 56134-9*00		MATERIAL NO. SEE CHART						

8 7 6 5 4 3 2 1