

10 | 9 | 8 | 7 | 6 | 5 | 4 | 3 | 2 | 1

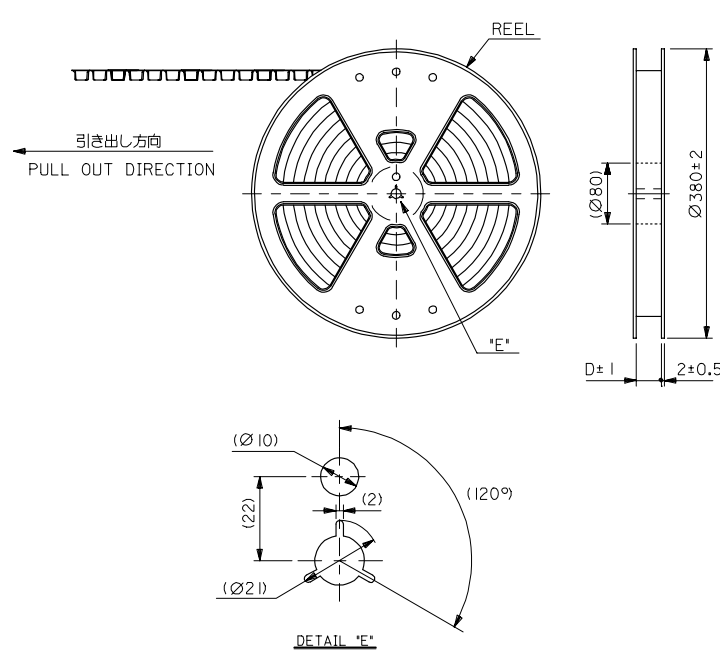
紫 VIOLET	橙 ORANGE	茶 BROWN	緑 GREEN	青 BLUE	黄 YELLOW	赤 RED	色 COLOR
501568-1599	501568-1589	501568-1579	501568-1569	501568-1549	501568-1539	501568-1529	15
501568-1499	501568-1489	501568-1479	501568-1469	501568-1449	501568-1439	501568-1429	14
501568-1399	501568-1389	501568-1379	501568-1369	501568-1349	501568-1339	501568-1329	13
501568-1299	501568-1289	501568-1279	501568-1269	501568-1249	501568-1239	501568-1229	12
501568-1199	501568-1189	501568-1179	501568-1169	501568-1149	501568-1139	501568-1129	11
501568-1099	501568-1089	501568-1079	501568-1069	501568-1049	501568-1039	501568-1029	10
501568-0999	501568-0989	501568-0979	501568-0969	501568-0949	501568-0939	501568-0929	9
501568-0899	501568-0889	501568-0879	501568-0869	501568-0849	501568-0839	501568-0829	8
501568-0799	501568-0789	501568-0779	501568-0769	501568-0749	501568-0739	501568-0729	7
501568-0699	501568-0689	501568-0679	501568-0669	501568-0649	501568-0639	501568-0629	6
MATERIAL NO.	MATERIAL NO.	MATERIAL NO.	MATERIAL NO.	MATERIAL NO.	MATERIAL NO.	MATERIAL NO.	MODEL NO.

自然色 NATURAL	色 COLOR
501568-1509	15
501568-1409	14
501568-1309	13
501568-1209	12
501568-1109	11
501568-1009	10
501568-0909	9
501568-0809	8
501568-0709	7
501568-0609	6
MATERIAL NO.	MODEL NO.

REVISED EC NO: J2008-1014 DRWN: YAGI CHK: KYODA APPR: NIKITA	GENERAL TOLERANCES (UNLESS SPECIFIED)	DIMENSION STYLE MM ONLY	SCALE ---	DESIGN UNITS METRIC	TITLE 1.0 WIRE TO BOARD CONN. 1-ROW R/A WAFER ASSY 6-15CKT MOLEX INCORPORATED DOCUMENT NO. SD-501568-002
	10 UNDER ±0.2 10 OVER 30 UNDER ±0.25 30 OVER ±0.3 ANGULAR ±3°	DRAWN BY AMIZUMURA DATE 2005/01/19	TITLE	THIRD ANGLE PROJECTION	
	DRAFT WHERE APPLICABLE MUST REMAIN WITHIN DIMENSIONS	CHECKED BY MYAGI DATE 2005/01/19	APPROVED BY ANODA DATE 2005/01/19	SHEET NO. 2 OF 2	
	SEE TABLE	MATERIAL NO. SIZE A3	THIS DRAWING CONTAINS INFORMATION THAT IS PROPRIETARY TO MOLEX INCORPORATED AND SHOULD NOT BE USED WITHOUT WRITTEN PERMISSION		

10 9 8 7 6 5 4 3 2 1

F
E
D
C
B
A



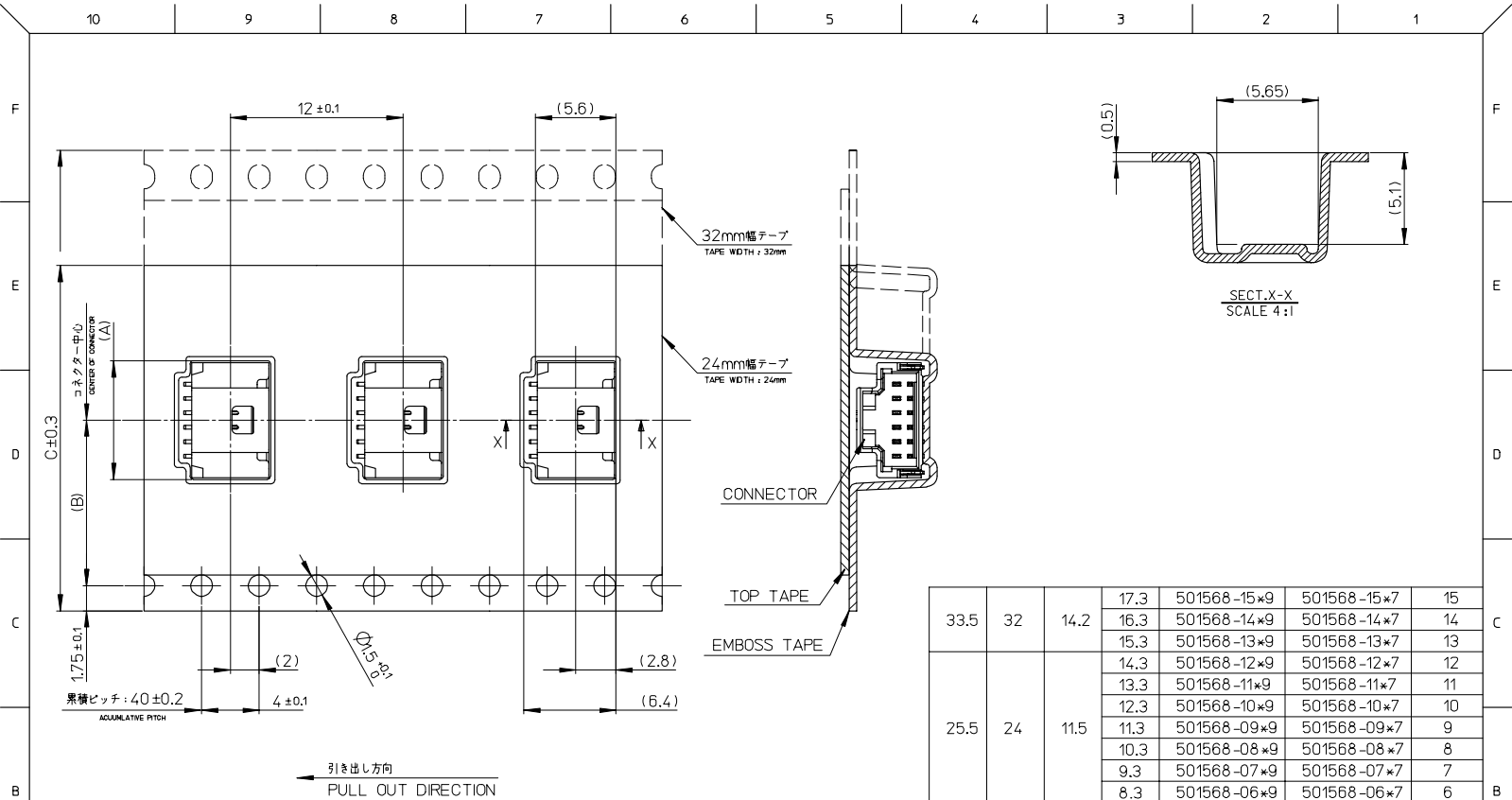
NOTES

- 製品詳細寸法は製品単体図面を参照して下さい。
FOR DETAIL OF CONNECTOR DIMENSIONS, PLEASE SEE THE DRAWING OF CONNECTOR ITSELF (NOT PACKAGED).
- 梱包数量：1300個/リール
NUMBER OF CONNECTORS : 1300 PIECES/REEL
- リードテープ長さ
LEAD TAPE LENGTH
- 材料
MATERIAL
キャリアテープ：ポリプロピレン
CARRIER TAPE: POLYPROPYLENE
トップテープ：PET, PE, REF
TOP TAPE
リール：ポリスチレン (リサイクル材を含む)
REEL : POLYSTYRENE (RECYCLE MATERIAL CONTAINED)
- ELV AND RoHS COMPLIANT.

REVISED EC NO: J2008-1014 2007/10/01 DRAWN: YADYAGI CHKD: KYODA 2007/10/01 APPR: NUKITA 2007/10/01	GENERAL TOLERANCES (UNLESS SPECIFIED)		DIMENSION STYLE MM ONLY		SCALE ---	DESIGN UNITS METRIC	THIRD ANGLE PROJECTION
	10 UNDER	± 0.2	DRAWN BY AMIZUMURA	DATE 2005/11/26	TITLE 1.0 WIRE TO BOARD CONN. WAFER ASS'Y (1-ROW R/A) EMBTP PKG MOLEX INCORPORATED		
	10 OVER 30 UNDER	± 0.25	CHECKED BY MYAGI	DATE 2005/11/26			
	30 OVER	± 0.3	APPROVED BY ANODA	DATE 2005/11/26			
ANGULAR	± 1 °	DRAFT WHERE APPLICABLE MUST REMAIN WITHIN DIMENSIONS		MATERIAL NO. SEE TABLE	DOCUMENT NO. SD-501568-006	SHEET NO. 1 OF 3	
A	DESCRIPTION	SIZE A3		THIS DRAWING CONTAINS INFORMATION THAT IS PROPRIETARY TO MOLEX INCORPORATED AND SHOULD NOT BE USED WITHOUT WRITTEN PERMISSION			

fb_frame_A3_1_ME_S
Rev. E 2006/04/15

9 8 7 6 5 4 3 2 1 EN-02JA(021)



33.5	32	14.2	17.3	501568-15*9	501568-15*7	15
			16.3	501568-14*9	501568-14*7	14
			15.3	501568-13*9	501568-13*7	13
25.5	24	11.5	14.3	501568-12*9	501568-12*7	12
			13.3	501568-11*9	501568-11*7	11
			12.3	501568-10*9	501568-10*7	10
			11.3	501568-09*9	501568-09*7	9
			10.3	501568-08*9	501568-08*7	8
D	C	(B)	(A)	CONNECTOR	MATERIAL NO.	CKTS.

REVISED EC NO: J2008-1014 2007/10/01 DRAWN: YAGYAGI CHK: KATOYODA 2007/10/01 APPR: NUKITA 2007/10/01	DESCRIPTION	GENERAL TOLERANCES (UNLESS SPECIFIED)		DIMENSION STYLE MM ONLY		SCALE ---	DESIGN UNITS METRIC	THIRD ANGLE PROJECTION	
		10 UNDER	± 0.2	DRAWN BY AMIZUMURA	DATE 2005/11/26	TITLE 1.0 WIRE TO BOARD CONN. WAFER ASS'Y (1-ROW R/A) EMBTP PKG			
		10 OVER 30 UNDER	± 0.25	CHECKED BY MYAGI	DATE 2005/11/26	MOLEX INCORPORATED			
		30 OVER	± 0.3	APPROVED BY ANODA	DATE 2005/11/26	DOCUMENT NO. SD-501568-006			
A	DESCRIPTION	ANGULAR ± 3 °		MATERIAL NO. SEE TABLE		DOCUMENT NO. SD-501568-006		SHEET NO. 2 OF 3	
DRAFT WHERE APPLICABLE MUST REMAIN WITHIN DIMENSIONS		SIZE A3		THIS DRAWING CONTAINS INFORMATION THAT IS PROPRIETARY TO MOLEX INCORPORATED AND SHOULD NOT BE USED WITHOUT WRITTEN PERMISSION					

10 9 8 7 6 5 4 3 2 1

F

E

D

C

B

A

F

E

D

C

B

A

紫 VIOLET		橙 ORANGE		茶 BROWN		色 COLOR		
501568-1599	501568-1597	501568-1589	501568-1587	501568-1579	501568-1577	15	501568-***7	
501568-1499	501568-1497	501568-1489	501568-1487	501568-1479	501568-1477	14		
501568-1399	501568-1397	501568-1389	501568-1387	501568-1379	501568-1377	13		
501568-1299	501568-1297	501568-1289	501568-1287	501568-1279	501568-1277	12		
501568-1199	501568-1197	501568-1189	501568-1187	501568-1179	501568-1177	11		
501568-1099	501568-1097	501568-1089	501568-1087	501568-1079	501568-1077	10		
501568-0999	501568-0997	501568-0989	501568-0987	501568-0979	501568-0977	9		
501568-0899	501568-0897	501568-0889	501568-0887	501568-0879	501568-0877	8		
501568-0799	501568-0797	501568-0789	501568-0787	501568-0779	501568-0777	7		
501568-0699	501568-0697	501568-0689	501568-0687	501568-0679	501568-0677	6		
CONNECTOR	MATERIAL NO.	CONNECTOR	MATERIAL NO.	CONNECTOR	MATERIAL NO.	CKT.		MODEL NO.
緑 GREEN		青 BLUE		赤 RED		色 COLOR		
501568-1569	501568-1567	501568-1549	501568-1547	501568-1529	501568-1527	15		501568-***7
501568-1469	501568-1467	501568-1449	501568-1447	501568-1429	501568-1427	14		
501568-1369	501568-1367	501568-1349	501568-1347	501568-1329	501568-1327	13		
501568-1269	501568-1267	501568-1249	501568-1247	501568-1229	501568-1227	12		
501568-1169	501568-1167	501568-1149	501568-1147	501568-1129	501568-1127	11		
501568-1069	501568-1067	501568-1049	501568-1047	501568-1029	501568-1027	10		
501568-0969	501568-0967	501568-0949	501568-0947	501568-0929	501568-0927	9		
501568-0869	501568-0867	501568-0849	501568-0847	501568-0829	501568-0827	8		
501568-0769	501568-0767	501568-0749	501568-0747	501568-0729	501568-0727	7		
501568-0669	501568-0667	501568-0649	501568-0647	501568-0629	501568-0627	6		
CONNECTOR	MATERIAL NO.	CONNECTOR	MATERIAL NO.	CONNECTOR	MATERIAL NO.	CKT.	MODEL NO.	
自然色 NATURAL		色 COLOR						
501568-1509	501568-1507	15	501568-**07					
501568-1409	501568-1407	14						
501568-1309	501568-1307	13						
501568-1209	501568-1207	12						
501568-1109	501568-1107	11						
501568-1009	501568-1007	10						
501568-0909	501568-0907	9						
501568-0809	501568-0807	8						
501568-0709	501568-0707	7						
501568-0609	501568-0607	6						
CONNECTOR	MATERIAL NO.	CKT.	MODEL NO.					

REVISED EC NO: J2008-1014 2007/10/01 DRWN:YADYAGI CHKD:KYOYODA 2007/10/01 APPR:NIKIITA 2007/10/01	GENERAL TOLERANCES (UNLESS SPECIFIED)		DIMENSION STYLE MM ONLY		SCALE ---	DESIGN UNITS METRIC	THIRD ANGLE PROJECTION
	10 UNDER	± ---	DRAWN BY AMIZUMURA	DATE 2005/11/26	TITLE 1.0 WIRE TO BOARD CONN. WAFER ASSY (1-ROW R/A) EMBTB PKG MOLEX INCORPORATED		
	10 OVER 30 UNDER	± ---	CHECKED BY YAGI	DATE 2005/11/26			
	30 OVER	± ---	APPROVED BY ANODA	DATE 2005/11/26			
ANGULAR	± --- °	MATERIAL NO. SEE TABLE		DOCUMENT NO. SD-501568-006	SHEET NO. 3 OF 3		
DRAFT WHERE APPLICABLE MUST REMAIN WITHIN DIMENSIONS		SIZE A3	THIS DRAWING CONTAINS INFORMATION THAT IS PROPRIETARY TO MOLEX INCORPORATED AND SHOULD NOT BE USED WITHOUT WRITTEN PERMISSION				