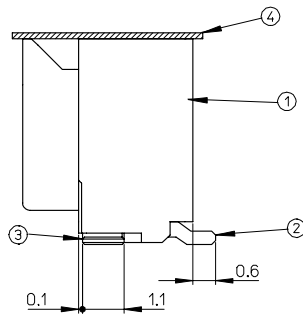
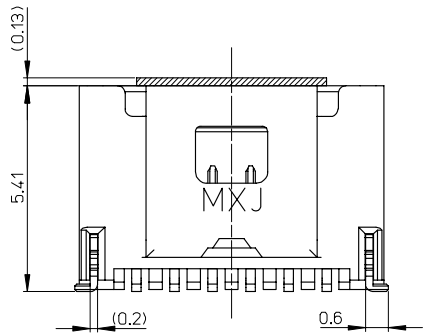


番号 NO.	部品 PART	材質 MATERIAL
①	ウェハー WAFER	6Tナイロン UL94V-0 色:表参照 6T NYLON, UL94V-0, COLOR:SEE TABLE
②	ソルダーピン SOLDER PIN	りん青銅 PHOSPHOR BRONZE 錫メッキ: 1.0μmMIN. TIN ニッケルメッキ(下地): 1.0μmMIN. NICKEL(UNDER PLATING)
③	ネイル NAIL	りん青銅 PHOSPHOR BRONZE 錫メッキ: 1.0μmMIN. TIN ニッケルメッキ(下地): 1.0μmMIN. NICKEL(UNDER PLATING)
④	カバーテープ COVER TAPE	ポリイミドテープ POLYIMIDE TAPE

参考パターンレイアウト
RECOMMENDED PATTERN DIM. (REF)
SCALE:5:1



B	A	MATERIAL NO.	CKT.	MODEL NO.
14.0	17.0	501331-15*9	15	501331-***9
13.0	16.0	501331-14*9	14	
12.0	15.0	501331-13*9	13	
11.0	14.0	501331-12*9	12	
10.0	13.0	501331-11*9	11	
9.0	12.0	501331-10*9	10	
8.0	11.0	501331-09*9	9	
7.0	10.0	501331-08*9	8	
6.0	9.0	501331-07*9	7	
5.0	8.0	501331-06*9	6	

※対応可能な極数は、別途お問い合わせ下さい。

- NOTES.
- 嵌合相手: 501330-***
MATE WITH: 501330-***
 - ソルダーピン及びネイル平坦度は、0.1MAX.
SOLDER PIN AND NAIL COPLANARITY TO BE 0.1MAX.
 - 極数=偶数に適用
APPLY FOR CKT SIZE=EVEN
 - 2-5極は、SD-501331-001を参照下さい。
REFER TO SD-501331-001 ABOUT 2-5CKT.
 - ELV及びRoHS適合品。
ELV AND RoHS COMPLIANT.

REVISED REV. DESCRIPTION	EC NO. J2007-3260	2007/10/02	GENERAL TOLERANCES (UNLESS SPECIFIED)	DIMENSION STYLE MM ONLY	SCALE 10:1	DESIGN UNITS METRIC	THIRD ANGLE PROJECTION
	DRW: NABEI	2007/10/02	10 UNDER ±0.2	DRAWN BY NYOSHIDA	DATE 2004/07/30	TITLE 1.0 WIRE TO BOARD CONN. WAFER ASSY (1-ROW S/T) 6-15CKT	
	CHK: KUYODA	2007/10/02	10 OVER 30 UNDER ±0.25	CHECKED BY MYAGI	DATE 2004/07/30		
	APP: NUKITA	2007/10/03	30 OVER ±0.3	APPROVED BY MIYAZAWA	DATE 2004/07/30	MOLEX INCORPORATED	
			ANGULAR ±3 °	MATERIAL NO.	DOCUMENT NO.	SD-501331-002	
			DRAFT WHERE APPLICABLE MUST REMAIN WITHIN DIMENSIONS	SIZE A3	THIS DRAWING CONTAINS INFORMATION THAT IS PROPRIETARY TO MOLEX INCORPORATED AND SHOULD NOT BE USED WITHOUT WRITTEN PERMISSION		
						SHEET NO. 1 OF 2	

10 9 8 7 6 5 4 3 2 1

F

E

D

C

B

A

F

E

D

C

B

A

紫 VIOLET	橙 ORANGE	茶 BROWN	緑 GREEN	青 BLUE	赤 RED	色 COLOR	
501331-1599	501331-1589	501331-1579	501331-1569	501331-1549	501331-1529	15	501331-***9
501331-1499	501331-1489	501331-1479	501331-1469	501331-1449	501331-1429	14	
501331-1399	501331-1389	501331-1379	501331-1369	501331-1349	501331-1329	13	
501331-1299	501331-1289	501331-1279	501331-1269	501331-1249	501331-1229	12	
501331-1199	501331-1189	501331-1179	501331-1169	501331-1149	501331-1129	11	
501331-1099	501331-1089	501331-1079	501331-1069	501331-1049	501331-1029	10	
501331-0999	501331-0989	501331-0979	501331-0969	501331-0949	501331-0929	9	
501331-0899	501331-0889	501331-0879	501331-0869	501331-0849	501331-0829	8	
501331-0799	501331-0789	501331-0779	501331-0769	501331-0749	501331-0729	7	
501331-0699	501331-0689	501331-0679	501331-0669	501331-0649	501331-0629	6	
MATERIAL NO.	MATERIAL NO.	MATERIAL NO.	MATERIAL NO.	MATERIAL NO.	MATERIAL NO.	CKT.	MODEL NO.

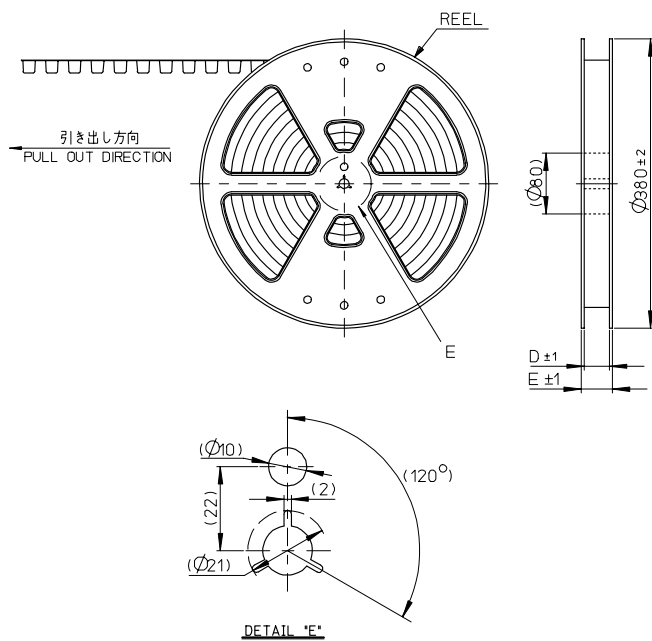
自然色 NATURAL	色 COLOR	
501331-1509	15	501331-**09
501331-1409	14	
501331-1309	13	
501331-1209	12	
501331-1109	11	
501331-1009	10	
501331-0909	9	
501331-0809	8	
501331-0709	7	
501331-0609	6	
MATERIAL NO.	CKT.	MODEL NO.

REVISED EC NO: J2007-3260 2007/10/02 DRW:HNABEI 2007/10/02 CHK:KTOYODA 2007/10/03 APPR:NIKIITA 2007/10/03 REV DESCRIPTION	GENERAL TOLERANCES (UNLESS SPECIFIED)		DIMENSION STYLE MM ONLY		SCALE ---	DESIGN UNITS METRIC	THIRD ANGLE PROJECTION
	10 UNDER	± 0.2	DRAWN BY NYOSHIDA	DATE 2004/07/30	TITLE 1.0 WIRE TO BOARD CONN. WAFER ASSY (1-ROW S/T) 6-15CKT MOLEX INCORPORATED		
	10 OVER 30 UNDER	± 0.25	CHECKED BY MYAGI	DATE 2004/07/30			
	30 OVER	± 0.3	APPROVED BY MIYAZAWA	DATE 2004/07/30			
	ANGULAR	± 3 °	MATERIAL NO.		DOCUMENT NO.	SD-501331-002	
DRAFT WHERE APPLICABLE MUST REMAIN WITHIN DIMENSIONS		SEE TABLE		SHEET NO. 2 OF 2		THIS DRAWING CONTAINS INFORMATION THAT IS PROPRIETARY TO MOLEX INCORPORATED AND SHOULD NOT BE USED WITHOUT WRITTEN PERMISSION	

tb_frame_A3_1_ME_S
Rev. E 2006/04/15

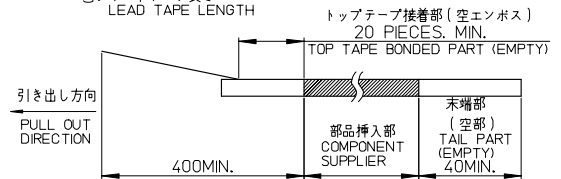
9 8 7 6 5 4 3 2 1 EN-02JA(021)

10 9 8 7 6 5 4 3 2 1



NOTES.

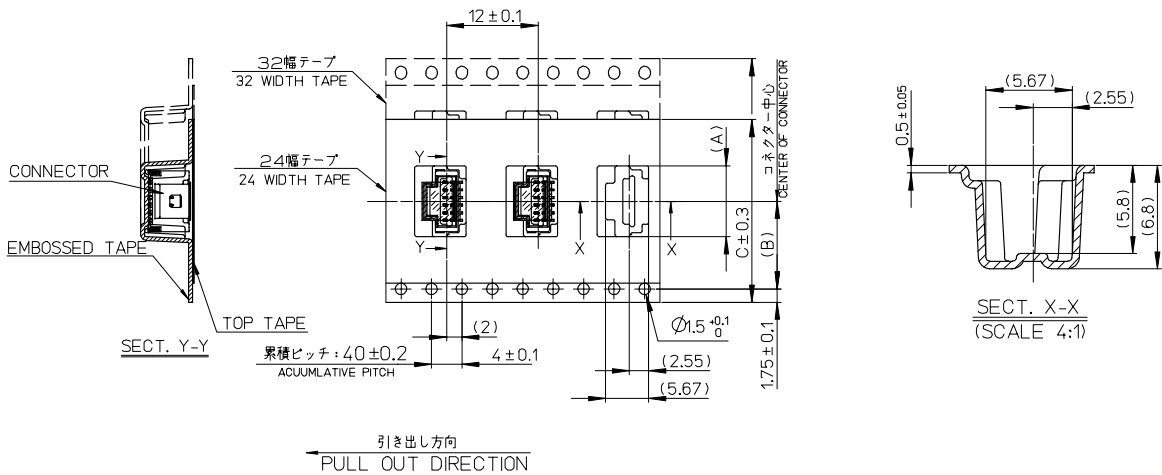
- 製品詳細寸法については製品単体図面を参照ください。
ABOUT DETAILED DIMENSION, SEE PRODUCT DRAWING.
- 梱包数量: 1100個/リール
NUMBER OF CONNECTORS: 1100PIECES/REEL
- リードテープ長さ
LEAD TAPE LENGTH



- 材料
MATERIAL
キャリアテープ: ポリプロピレン
CARRIER TAPE: POLYPROPYLENE
トップテープ: PET, PE, REF
TOP TAPE
リール: ポリスチレン (リサイクル材を含む)
REEL: POLYSTYRENE (RECYCLE MATERIAL CONTAINED)
- ELV 及び RoHS適合品
ELV AND RoHS COMPLIANT.

DETAIL "E"

REVISED EC NO: J2007-3260 2007/10/02 DRW: HIRABEI CHK: KATOYODA 2007/10/02 APPR: NUKITA 2007/10/03	GENERAL TOLERANCES (UNLESS SPECIFIED)		DIMENSION STYLE MM ONLY		SCALE ---	DESIGN UNITS METRIC	THIRD ANGLE PROJECTION
	10 UNDER	± 0.2	DRAWN BY NYOSHIDA	DATE 2005/01/18	TITLE 1.0 WIRE TO BOARD CONN. WAFER ASS'Y (1-ROW S/T) EMBSTP PKG MOLEX INCORPORATED		
	10 OVER 30 UNDER	± 0.25	CHECKED BY MYAGI	DATE 2005/01/18			
	30 OVER	± 0.3	APPROVED BY ANODA	DATE 2005/01/18			
ANGULAR ±1 °		MATERIAL NO. SEE SHEET 2		DOCUMENT NO. SD-501331-004		SHEET NO. 1 OF 4	
DRAFT WHERE APPLICABLE MUST REMAIN WITHIN DIMENSIONS		THIS DRAWING CONTAINS INFORMATION THAT IS PROPRIETARY TO MOLEX INCORPORATED AND SHOULD NOT BE USED WITHOUT WRITTEN PERMISSION					



37.4	33.4	32	14.2	18.3	501331-15*9	501331-15*7	15	501331-***7
				17.3	501331-14*9	501331-14*7	14	
				16.3	501331-13*9	501331-13*7	13	
				15.3	501331-12*9	501331-12*7	12	
				14.3	501331-11*9	501331-11*7	11	
				13.3	501331-10*9	501331-10*7	10	
29.4	25.4	24	11.5	12.3	501331-09*9	501331-09*7	9	
				11.3	501331-08*9	501331-08*7	8	
				10.3	501331-07*9	501331-07*7	7	
				9.3	501331-06*9	501331-06*7	6	

REVISED EC NO. J2007-3260 2007/10/02 DRAWN: HIRABEI 2007/10/02 CHK: KATOYODA 2007/10/03 APPR: NUKITA	GENERAL TOLERANCES (UNLESS SPECIFIED)		DIMENSION STYLE MM ONLY		SCALE ---	DESIGN UNITS METRIC	THIRD ANGLE PROJECTION
	10 UNDER	±0.2	DRAWN BY NYOSHIDA	DATE 2005/01/18	TITLE 1.0 WIRE TO BOARD CONN. WAFER ASS'Y (1-ROW S/T) EMBSTP PKG		
	10 OVER 30 UNDER	±0.25	CHECKED BY MYAGI	DATE 2005/01/18	MOLEX INCORPORATED		
	30 OVER	±0.3	APPROVED BY ANODA	DATE 2005/01/18	DOCUMENT NO. SD-501331-004		
ANGULAR ±1 °		DRAFT WHERE APPLICABLE MUST REMAIN WITHIN DIMENSIONS		MATERIAL NO. SEE TABLE		SHEET NO. 2 OF 4	
THIS DRAWING CONTAINS INFORMATION THAT IS PROPRIETARY TO MOLEX INCORPORATED AND SHOULD NOT BE USED WITHOUT WRITTEN PERMISSION				EN-02JA(021)			

10 9 8 7 6 5 4 3 2 1

緑 GREEN		青 BLUE		赤 RED		色 COLOR	
501331-1569	501331-1567	501331-1549	501331-1547	501331-1529	501331-1527	15	501331-***7
501331-1469	501331-1467	501331-1449	501331-1447	501331-1429	501331-1427	14	
501331-1369	501331-1367	501331-1349	501331-1347	501331-1329	501331-1327	13	
501331-1269	501331-1267	501331-1249	501331-1247	501331-1229	501331-1227	12	
501331-1169	501331-1167	501331-1149	501331-1147	501331-1129	501331-1127	11	
501331-1069	501331-1067	501331-1049	501331-1047	501331-1029	501331-1027	10	
501331-0969	501331-0967	501331-0949	501331-0947	501331-0929	501331-0927	9	
501331-0869	501331-0867	501331-0849	501331-0847	501331-0829	501331-0827	8	
501331-0769	501331-0767	501331-0749	501331-0747	501331-0729	501331-0727	7	
501331-0669	501331-0667	501331-0649	501331-0647	501331-0629	501331-0627	6	
CONNECTOR	MATERIAL NO.	CONNECTOR	MATERIAL NO.	CONNECTOR	MATERIAL NO.	CKT.	MODEL NO.

自然色 NATURAL		色 COLOR	
501331-1509	501331-1507	15	501331-**07
501331-1409	501331-1407	14	
501331-1309	501331-1307	13	
501331-1209	501331-1207	12	
501331-1109	501331-1107	11	
501331-1009	501331-1007	10	
501331-0909	501331-0907	9	
501331-0809	501331-0807	8	
501331-0709	501331-0707	7	
501331-0609	501331-0607	6	
CONNECTOR	MATERIAL NO.	CKT.	MODEL NO.

REVISED EC NO. J2007-3260 DRAWN BY: 2007/10/02 DRW: HIRABEI CHK: KATOYODA APPR: NUKITA 2007/10/03	GENERAL TOLERANCES (UNLESS SPECIFIED)		DIMENSION STYLE MM ONLY		SCALE ---	DESIGN UNITS METRIC	THIRD ANGLE PROJECTION
	10 UNDER	± 0.2	DRAWN BY	DATE	TITLE 1.0 WIRE TO BOARD CONN. WAFER ASS'Y (1-ROW S/T) EMBSTP PKG MOLEX INCORPORATED		
	10 OVER 30 UNDER	± 0.25	NYOSHIDA	2005/01/18			
	30 OVER	± 0.3	CHECKED BY	DATE			
	ANGULAR	± 1 °	MYAGI	2005/01/18	APPROVED BY	DATE	DOCUMENT NO.
DRAFT WHERE APPLICABLE MUST REMAIN WITHIN DIMENSIONS		ANODA	2005/01/18	MATERIAL NO.	SEE TABLE	SD-501331-004	SHEET NO. 3 OF 4

tb_frame_A3_1_ME_S
Rev. E 2006/04/15

9 8 7 6 5 4 3 2 1 EN-02JA(021)

10 9 8 7 6 5 4 3 2 1

F

F

E

E

D

D

C

C

B

B

A

A

紫 VIOLET		橙 ORANGE		茶 BROWN		色 COLOR	
501331-1599	501331-1597	501331-1589	501331-1587	501331-1579	501331-1577	15	501331-***7
501331-1499	501331-1497	501331-1489	501331-1487	501331-1479	501331-1477	14	
501331-1399	501331-1397	501331-1389	501331-1387	501331-1379	501331-1377	13	
501331-1299	501331-1297	501331-1289	501331-1287	501331-1279	501331-1277	12	
501331-1199	501331-1197	501331-1189	501331-1187	501331-1179	501331-1177	11	
501331-1099	501331-1097	501331-1089	501331-1087	501331-1079	501331-1077	10	
501331-0999	501331-0997	501331-0989	501331-0987	501331-0979	501331-0977	9	
501331-0899	501331-0897	501331-0889	501331-0887	501331-0879	501331-0877	8	
501331-0799	501331-0797	501331-0789	501331-0787	501331-0779	501331-0777	7	
501331-0699	501331-0697	501331-0689	501331-0687	501331-0679	501331-0677	6	
CONNECTOR	MATERIAL NO.	CONNECTOR	MATERIAL NO.	CONNECTOR	MATERIAL NO.	CKT.	MODEL NO.

REVISED EC NO. J2007-3260 DRAWN: HABEI CHKD: KUYODA APPR: NUKITA	DESCRIPTION 2007/10/02 2007/10/02 2007/10/03	GENERAL TOLERANCES (UNLESS SPECIFIED)		DIMENSION STYLE MM ONLY		SCALE ---	DESIGN UNITS METRIC	THIRD ANGLE PROJECTION
		10 UNDER	±0.2	DRAWN BY NYOSHIDA	DATE 2005/01/18	TITLE 1.0 WIRE TO BOARD CONN. WAFER ASS'Y (1-ROW S/T) EMBSTP PKG		
		10 OVER 30 UNDER	±0.25	CHECKED BY MYAGI	DATE 2005/01/18			
		30 OVER	±0.3	APPROVED BY ANODA	DATE 2005/01/18			
ANGULAR ±1 °		DRAFT WHERE APPLICABLE MUST REMAIN WITHIN DIMENSIONS		MATERIAL NO. SEE TABLE		DOCUMENT NO. SD-501331-004		SHEET NO. 4 OF 4