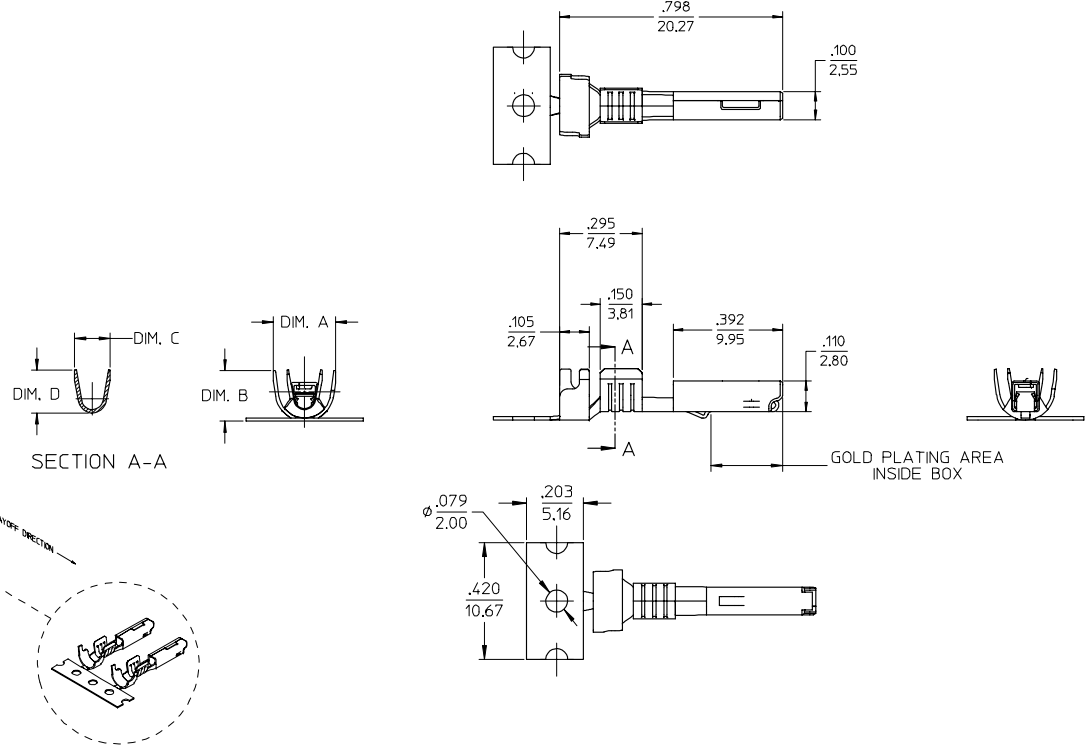


12 11 10 9 8 7 6 5 4 3 2 19420

STRIP MATERIAL NUMBER	LOOSE PIECE MATERIAL NUMBER	AWG SIZE	FINISH	DIM. 'A'	DIM. 'B'	DIM. 'C'	DIM. 'D'
194200001	194200009	16-14	PREPLATED TIN 75µ MIN THICK OVER NICKEL FLASH	.235/5.97	.182/4.62	.141/3.58	.155/3.94
194200002	194200010	22-18		.179/4.55	.143/3.63	.098/2.50	.106/2.70
194200003	194200011	16-14	SELECT HARD GOLD 30µ MIN. THICK WITH SELECT TIN 100µ MIN. OVER NICKEL 50µ MIN. OVERALL	.235/5.97	.182/4.62	.141/3.58	.155/3.94
194200004	194200012	22-18		.179/4.55	.143/3.63	.098/2.50	.106/2.70



- NOTES:
1. MATERIAL: COPPER ALLOY .0098/0,249 THK.
  2. FINISH: SEE CHART.
  3. TERMINALS FOR USE WITH 19418-\*\*\*\* RECEPTACLE HOUSING ASSEMBLY.
  4. STRIP TERMINALS ARE REELED AS SHOWN ABOVE ON 24' REELS. 4000 PARTS PER REEL.
  5. LOOSE TERMINALS ARE BULK PACKAGED IN QUANTITIES OF 400.
  6. APPLICATION TOOLING AND CRIMP SPECIFICATIONS: 63865-6200 (14-16 AWG), 63865-6300 (14-16 AWG), 63811-4000 (HAND TOOL).

EC NO: ETC2004-0249 EDRWN: JPAWLICK 2004/06/25 CHKD: JPAWLICK 2004/06/25 APPR: RDEROSS 2004/06/25	QUALITY SYMBOLS -0 -0	GENERAL TOLERANCES (UNLESS SPECIFIED)		SCALE 4:1	DESIGN UNITS INCH	THIRD ANGLE PROJECTION	REVISE ON CAD ONLY
		4 PLACES ± .005 ± .005	3 PLACES ± .010 ± .010	DIMENSION STYLE IN/MM		TITLE FEMALE RECEPTACLE TERMINAL, 22-18 & 16-14 AWG, .059/1.50X.031/0.79	
REV	DESCRIPTION	2 PLACES ± 0.25 ± .02	1 PLACE ± 0.5 ± .005	DRAWN BY JPAWLICK	DATE 05/05/03	MATERIAL NO. SEE CHART	
		ANGULAR ± 3°		CHECKED BY JPAWLICK	DATE 05/05/03	DOCUMENT NO. SD-19420-001	
DRAFT WHERE APPLICABLE		MUST REMAIN WITHIN DIMENSIONS		APPROVED BY RDEROSS	DATE 05/05/03	SHEET NO. 1 OF 1	
THIS DRAWING CONTAINS INFORMATION THAT IS PROPRIETARY TO MOLEX INCORPORATED AND SHOULD NOT BE USED WITHOUT WRITTEN PERMISSION							

11 10 9 8 7 6 5 4 3 2 1