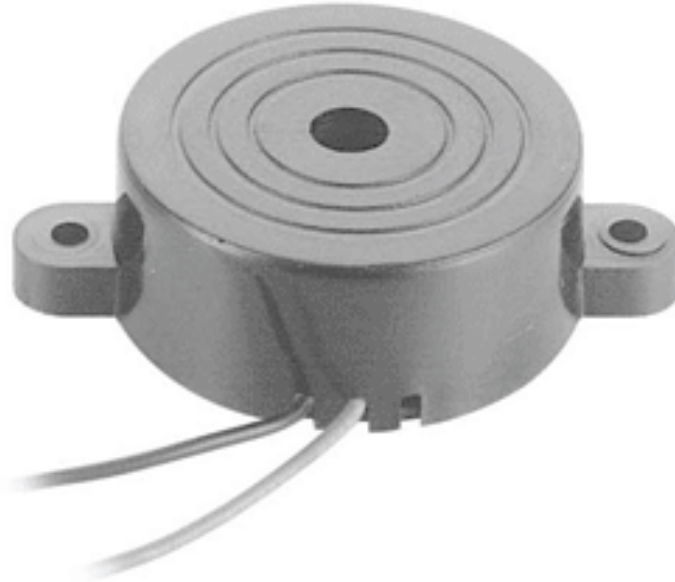


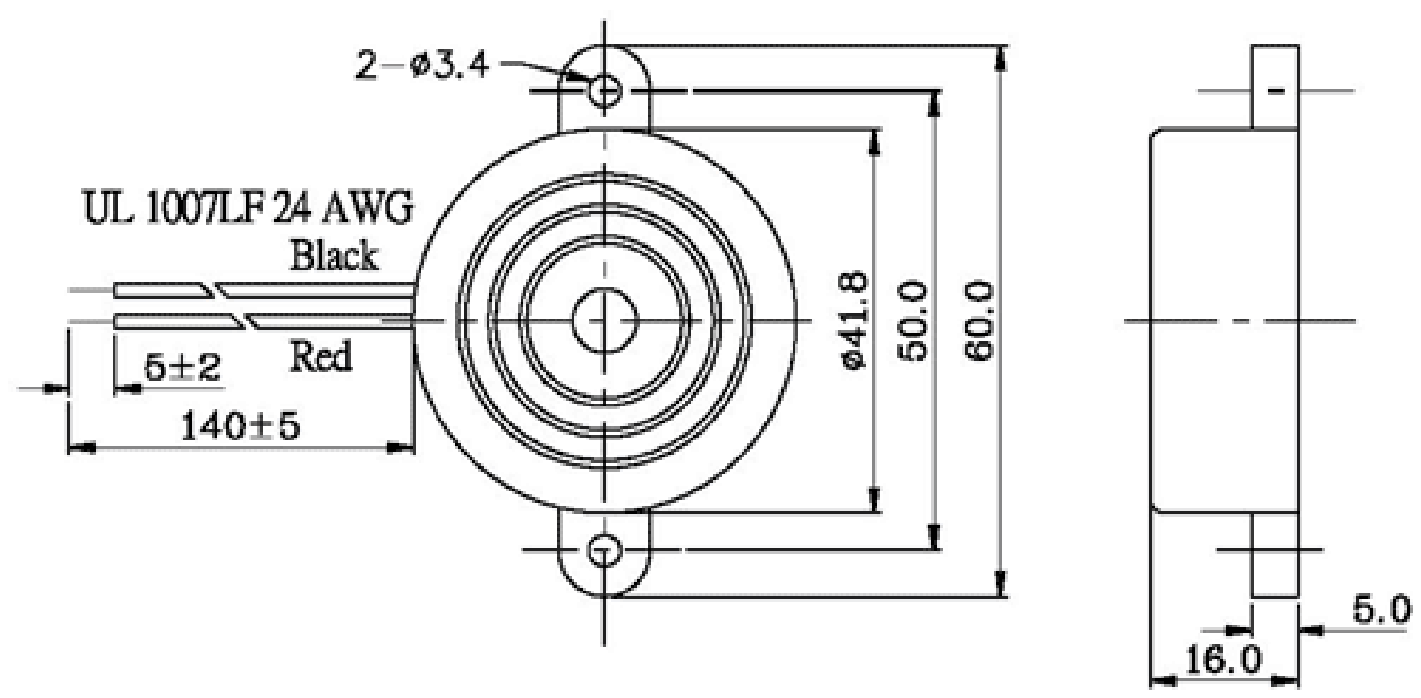
## Shape

**KPEG353**  
**KPEG353H**



Model Number	KPEG353	KPEG353H
Rated Frequency (Hz)	2,800 ± 500	
Operating Voltage Range (VDC)	3 ~ 28	7 ~ 18
Current Consumption (mA)	Max. 8@12VDC	Max. 15@12VDC
Sound Pressure Level (dB)	Min. 81dB@30cm / 12VDC	Min. 93dB@30cm / 12VDC
Tone	Slow Pulse@12VDC (1.5Hz±20%)	Slow Pulse@12VDC (1.2Hz±20%)
Operating Temperature (°C)	-30 ~ +85	
Storage Temperature (°C)	-40 ~ +95	
Weight (Gram)	14.6	

# Dimension



Tol : ±0.5 Unit : mm

# Characteristic

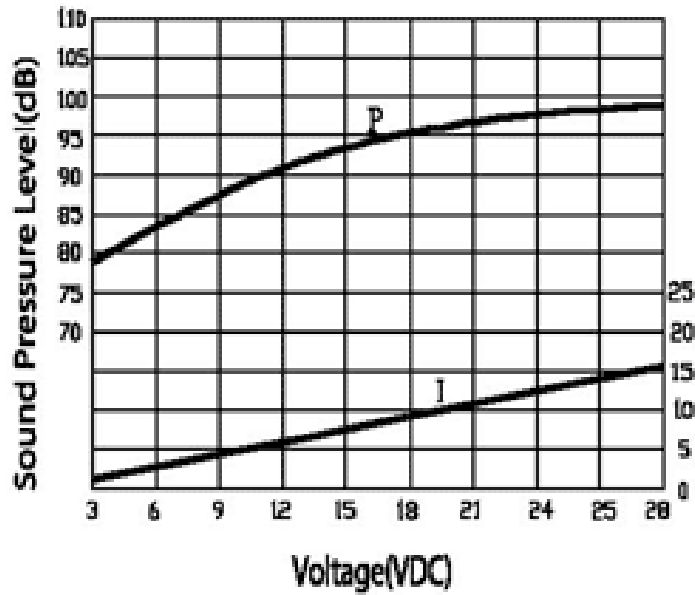


Tol : ±0.5 Unit : mm

## Characteristic

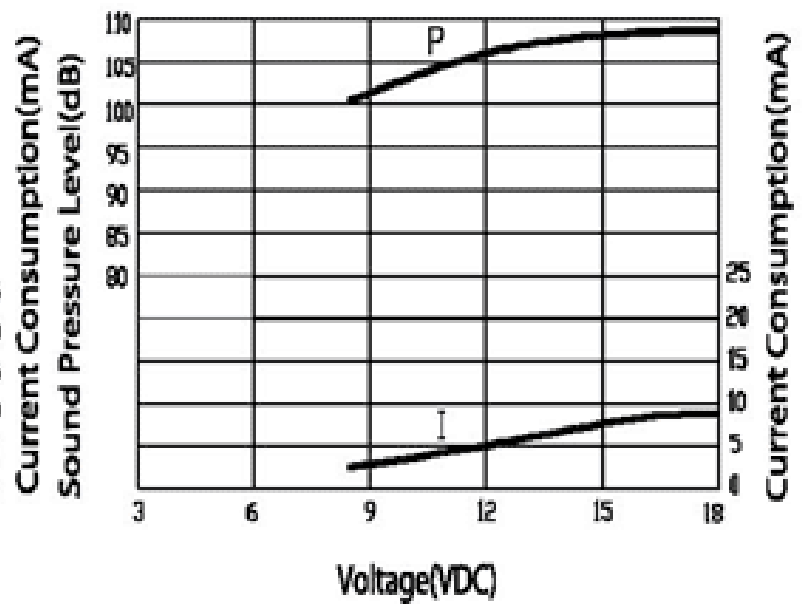
### KPEG353

at 30cm



### KPEG353H

at 30cm



The specification is for reference only. Please confirm the detailed approval sheets before ordering with us.  
Kingstate reserves the right to reuse or withdraw specifications without advanced notice.