



Intel StrataFlash[®] Embedded Memory (P30)

1-Gbit P30 Family

Datasheet

Product Features

- **High performance**
 - 85/88 ns initial access
 - 40 MHz with zero wait states, 20 ns clock-to-data output synchronous-burst read mode
 - 25 ns asynchronous-page read mode
 - 4-, 8-, 16-, and continuous-word burst mode
 - Buffered Enhanced Factory Programming (BEFP) at 5 μ s/byte (Typ)
 - 1.8 V buffered programming at 7 μ s/byte (Typ)
- **Architecture**
 - Multi-Level Cell Technology: Highest Density at Lowest Cost
 - Asymmetrically-blocked architecture
 - Four 32-KByte parameter blocks: top or bottom configuration
 - 128-KByte main blocks
- **Voltage and Power**
 - V_{CC} (core) voltage: 1.7 V – 2.0 V
 - V_{CCQ} (I/O) voltage: 1.7 V – 3.6 V
 - Standby current: 55 μ A (Typ) for 256-Mbit
 - 4-Word synchronous read current: 13 mA (Typ) at 40 MHz
- **Quality and Reliability**
 - Operating temperature: –40 °C to +85 °C
 - 1-Gbit in SCSP is –30 °C to +85 °C
 - Minimum 100,000 erase cycles per block
 - ETOX[™] VIII process technology (130 nm)
- **Security**
 - One-Time Programmable Registers:
 - 64 unique factory device identifier bits
 - 64 user-programmable OTP bits
 - Additional 2048 user-programmable OTP bits
 - Selectable OTP Space in Main Array:
 - 4x32KB parameter blocks + 3x128KB main blocks (top or bottom configuration)
 - Absolute write protection: $V_{PP} = V_{SS}$
 - Power-transition erase/program lockout
 - Individual zero-latency block locking
 - Individual block lock-down
- **Software**
 - 20 μ s (Typ) program suspend
 - 20 μ s (Typ) erase suspend
 - Intel[®] Flash Data Integrator optimized
 - Basic Command Set and Extended Command Set compatible
 - Common Flash Interface capable
- **Density and Packaging**
 - 64/128/256-Mbit densities in 56-Lead TSOP package
 - 64/128/256/512-Mbit densities in 64-Ball Intel[®] Easy BGA package
 - 64/128/256/512-Mbit and 1-Gbit densities in Intel[®] QUAD+ SCSP
 - 16-bit wide data bus

The Intel StrataFlash[®] Embedded Memory (P30) product is the latest generation of Intel StrataFlash[®] memory devices. Offered in 64-Mbit up through 1-Gbit densities, the P30 device brings reliable, two-bit-per-cell storage technology to the embedded flash market segment. Benefits include more density in less space, high-speed interface, lowest cost-per-bit NOR device, and support for code and data storage. Features include high-performance synchronous-burst read mode, fast asynchronous access times, low power, flexible security options, and three industry standard package choices.

The P30 product family is manufactured using Intel[®] 130 nm ETOX[™] VIII process technology.



INFORMATION IN THIS DOCUMENT IS PROVIDED IN CONNECTION WITH INTEL PRODUCTS. NO LICENSE, EXPRESS OR IMPLIED, BY ESTOPPEL OR OTHERWISE, TO ANY INTELLECTUAL PROPERTY RIGHTS IS GRANTED BY THIS DOCUMENT. EXCEPT AS PROVIDED IN INTEL'S TERMS AND CONDITIONS OF SALE FOR SUCH PRODUCTS, INTEL ASSUMES NO LIABILITY WHATSOEVER, AND INTEL DISCLAIMS ANY EXPRESS OR IMPLIED WARRANTY, RELATING TO SALE AND/OR USE OF INTEL PRODUCTS INCLUDING LIABILITY OR WARRANTIES RELATING TO FITNESS FOR A PARTICULAR PURPOSE, MERCHANTABILITY, OR INFRINGEMENT OF ANY PATENT, COPYRIGHT OR OTHER INTELLECTUAL PROPERTY RIGHT. Intel products are not intended for use in medical, life saving, or life sustaining applications.

Intel may make changes to specifications and product descriptions at any time, without notice.

This document contains information on products in the design phase of development. The information here is subject to change without notice. Do not finalize a design with this information.

StrataFlash® Embedded Memory (P30) Contact your local Intel sales office or your distributor to obtain the latest specifications and before placing your product order.

Copies of documents which have an ordering number and are referenced in this document, or other Intel literature may be obtained by calling 1-800-548-4725 or by visiting Intel's website at <http://www.intel.com>.

Copyright © 2005, Intel Corporation

* Other names and brands may be claimed as the property of others.

Contents

1.0	Introduction	7
1.1	Nomenclature	7
1.2	Acronyms	7
1.3	Conventions	8
2.0	Functional Overview	9
3.0	Package Information	10
3.1	56-Lead TSOP Package	10
3.2	64-Ball Easy BGA Package	12
3.3	QUAD+ SCSP Packages	13
4.0	Ballout and Signal Descriptions	17
4.1	Signal Ballout	17
4.2	Signal Descriptions	20
4.3	SCSP Configurations	22
4.4	Memory Maps	24
5.0	Maximum Ratings and Operating Conditions	29
5.1	Absolute Maximum Ratings	29
5.2	Operating Conditions	30
6.0	Electrical Specifications	31
6.1	DC Current Characteristics	31
6.2	DC Voltage Characteristics	32
7.0	AC Characteristics	33
7.1	AC Test Conditions	33
7.2	Capacitance	34
7.3	AC Read Specifications	35
7.4	AC Write Specifications	41
7.5	Program and Erase Characteristics	45
8.0	Power and Reset Specifications	46
8.1	Power Up and Down	46
8.2	Reset Specifications	46
8.3	Power Supply Decoupling	47
9.0	Device Operations	48
9.1	Bus Operations	48
9.1.1	Reads	48
9.1.2	Writes	49
9.1.3	Output Disable	49
9.1.4	Standby	49
9.1.5	Reset	49
9.2	Device Commands	50
9.3	Command Definitions	51

10.0 Read Operations	53
10.1 Asynchronous Page-Mode Read	53
10.2 Synchronous Burst-Mode Read	53
10.3 Read Configuration Register	54
10.3.1 Read Mode	55
10.3.2 Latency Count	55
10.3.3 WAIT Polarity	57
10.3.4 Data Hold	58
10.3.5 WAIT Delay	59
10.3.6 Burst Sequence	59
10.3.7 Clock Edge	59
10.3.8 Burst Wrap	59
10.3.9 Burst Length	60
11.0 Programming Operations	61
11.1 Word Programming	61
11.1.1 Factory Word Programming	62
11.2 Buffered Programming	62
11.3 Buffered Enhanced Factory Programming	63
11.3.1 BEFP Requirements and Considerations	64
11.3.2 BEFP Setup Phase	64
11.3.3 BEFP Program/Verify Phase	64
11.3.4 BEFP Exit Phase	65
11.4 Program Suspend	65
11.5 Program Resume	66
11.6 Program Protection	66
12.0 Erase Operations	67
12.1 Block Erase	67
12.2 Erase Suspend	67
12.3 Erase Resume	68
12.4 Erase Protection	68
13.0 Security Modes	69
13.1 Block Locking	69
13.1.1 Lock Block	69
13.1.2 Unlock Block	69
13.1.3 Lock-Down Block	69
13.1.4 Block Lock Status	70
13.1.5 Block Locking During Suspend	70
13.2 Selectable One-Time Programmable Blocks	71
13.3 Protection Registers	72
13.3.1 Reading the Protection Registers	73
13.3.2 Programming the Protection Registers	73
13.3.3 Locking the Protection Registers	74
14.0 Special Read States	75
14.1 Read Status Register	75
14.1.1 Clear Status Register	76
14.2 Read Device Identifier	76



14.3	CFI Query	77
Appendix A	Write State Machine	78
Appendix B	Flowcharts	85
Appendix C	Common Flash Interface	93
Appendix D	Additional Information	100
Appendix E	Ordering Information for Discrete Products	101
Appendix F	Ordering Information for SCSP Products	102

Revision History

Revision Date	Revision	Description
April 2005	-001	Initial Release

1.0 Introduction

This document provides information about the Intel StrataFlash® Embedded Memory (P30) device and describes its features, operation, and specifications.

1.1 Nomenclature

1.8 V :	V_{CC} (core) voltage range of 1.7 V – 2.0 V
3.0 V :	V_{CCQ} (I/O) voltage range of 1.7 V – 3.6 V
9.0 V :	V_{PP} voltage range of 8.5 V – 9.5 V
Block :	A group of bits, bytes, 1-Gbit P30 Family or words within the flash memory array that erase simultaneously when the Erase command is issued to the device. The 1-Gbit P30 Family has two block sizes: 32-KByte and 128-KByte.
Main block :	An array block that is usually used to store code and/or data. Main blocks are larger than parameter blocks.
Parameter block :	An array block that is usually used to store frequently changing data or small system parameters that traditionally would be stored in EEPROM.
Top parameter device :	A device with its parameter blocks located at the highest physical address of its memory map.
Bottom parameter device :	A device with its parameter blocks located at the lowest physical address of its memory map.

1.2 Acronyms

BEFP :	Buffer Enhanced Factory Programming
CUI :	Command User Interface
MLC :	Multi-Level Cell
OTP :	One-Time Programmable
PLR :	Protection Lock Register
PR :	Protection Register
RCR :	Read Configuration Register

RFU :	Reserved for Future Use
SR :	Status Register
WSM :	Write State Machine

1.3 Conventions

VCC :	Signal or voltage connection
V_{CC} :	Signal or voltage level
0x :	Hexadecimal number prefix
0b :	Binary number prefix
SR[4] :	Denotes an individual register bit.
A[15:0] :	Denotes a group of similarly named signals, such as address or data bus.
A5 :	Denotes one element of a signal group membership, such as an individual address bit.
Bit :	Binary unit
Byte :	Eight bits
Word :	Two bytes, or sixteen bits
Kbit :	1024 bits
KByte :	1024 bytes
KWord :	1024 words
Mbit :	1,048,576 bits
MByte :	1,048,576 bytes
MWord :	1,048,576 words

2.0 Functional Overview

This section provides an overview of the features and capabilities of the 1-Gbit P30 Family device.

The P30 family provides density upgrades from 64-Mbit through 1-Gbit. This family of devices provides high performance at low voltage on a 16-bit data bus. Individually erasable memory blocks are sized for optimum code and data storage.

Upon initial power up or return from reset, the device defaults to asynchronous page-mode read. Configuring the Read Configuration Register enables synchronous burst-mode reads. In synchronous burst mode, output data is synchronized with a user-supplied clock signal. A WAIT signal provides an easy CPU-to-flash memory synchronization.

In addition to the enhanced architecture and interface, the device incorporates technology that enables fast factory program and erase operations. Designed for low-voltage systems, the 1-Gbit P30 Family supports read operations with V_{CC} at 1.8 V, and erase and program operations with V_{PP} at 1.8 V or 9.0 V. Buffered Enhanced Factory Programming (BEFP) provides the fastest flash array programming performance with V_{PP} at 9.0 V, which increases factory throughput. With V_{PP} at 1.8 V, V_{CC} and V_{PP} can be tied together for a simple, ultra low power design. In addition to voltage flexibility, a dedicated VPP connection provides complete data protection when $V_{PP} \leq V_{PPLK}$.

A Command User Interface (CUI) is the interface between the system processor and all internal operations of the device. An internal Write State Machine (WSM) automatically executes the algorithms and timings necessary for block erase and program. A Status Register indicates erase or program completion and any errors that may have occurred.

An industry-standard command sequence invokes program and erase automation. Each erase operation erases one block. The Erase Suspend feature allows system software to pause an erase cycle to read or program data in another block. Program Suspend allows system software to pause programming to read other locations. Data is programmed in word increments (16 bits).

The 1-Gbit P30 Family's protection register allows unique flash device identification that can be used to increase system security. The individual Block Lock feature provides zero-latency block locking and unlocking. In addition, the P30 device also has four pre-defined spaces in the main array that can be configured as One-Time Programmable (OTP).

3.0 Package Information

3.1 56-Lead TSOP Package

Figure 1. TSOP Mechanical Specifications

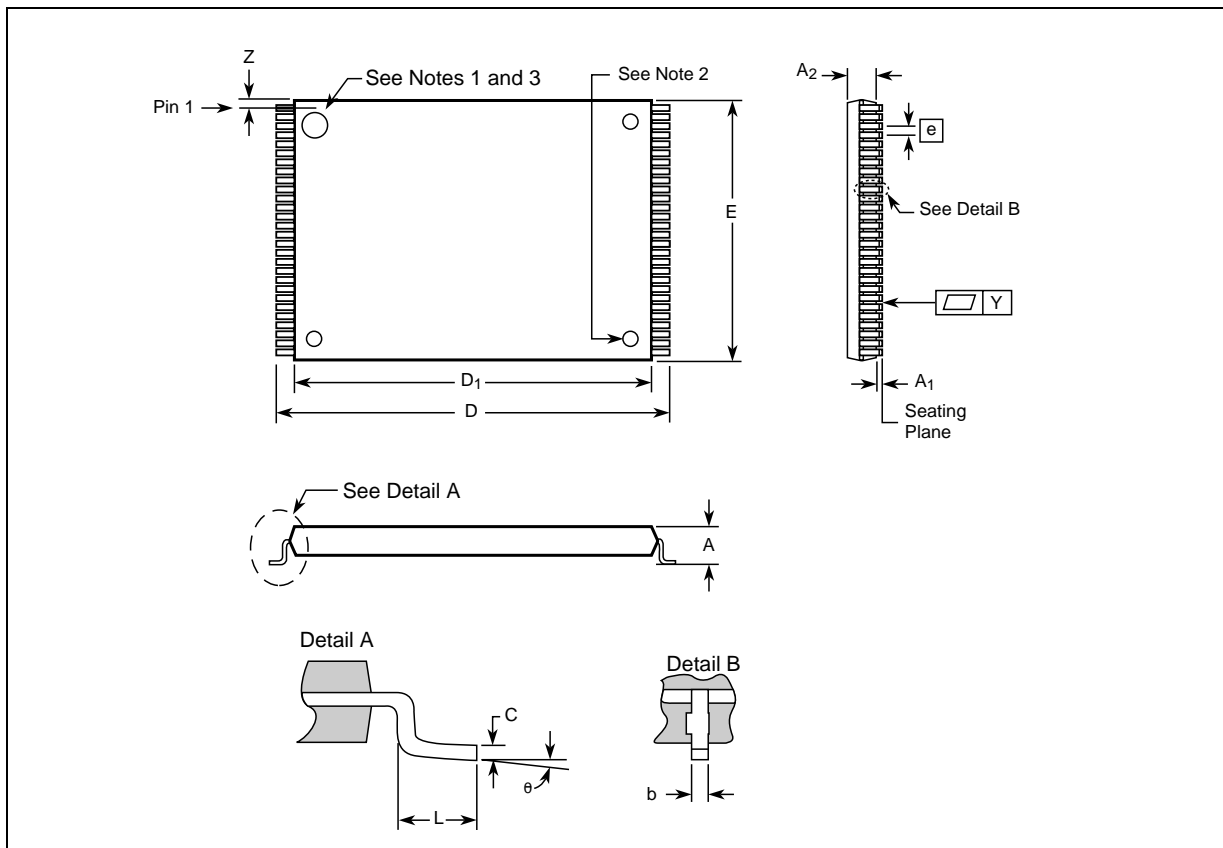


Table 1. TSOP Package Dimensions (Sheet 1 of 2)

Product Information	Sym	Millimeters			Inches		
		Min	Nom	Max	Min	Nom	Max
Package Height	A	-	-	1.200	-	-	0.047
Standoff	A ₁	0.050	-	-	0.002	-	-
Package Body Thickness	A ₂	0.965	0.995	1.025	0.038	0.039	0.040
Lead Width	b	0.100	0.150	0.200	0.004	0.006	0.008
Lead Thickness	c	0.100	0.150	0.200	0.004	0.006	0.008
Package Body Length	D ₁	18.200	18.400	18.600	0.717	0.724	0.732
Package Body Width	E	13.800	14.000	14.200	0.543	0.551	0.559
Lead Pitch	e	-	0.500	-	-	0.0197	-

Table 1. TSOP Package Dimensions (Sheet 2 of 2)

Product Information	Sym	Millimeters			Inches		
		Min	Nom	Max	Min	Nom	Max
Terminal Dimension	D	19.800	20.00	20.200	0.780	0.787	0.795
Lead Tip Length	L	0.500	0.600	0.700	0.020	0.024	0.028
Lead Count	N	-	56	-	-	56	-
Lead Tip Angle	∅	0°	3°	5°	0°	3°	5°
Seating Plane Coplanarity	Y	-	-	0.100	-	-	0.004
Lead to Package Offset	Z	0.150	0.250	0.350	0.006	0.010	0.014

3.2 64-Ball Easy BGA Package

Figure 2. Easy BGA Mechanical Specifications

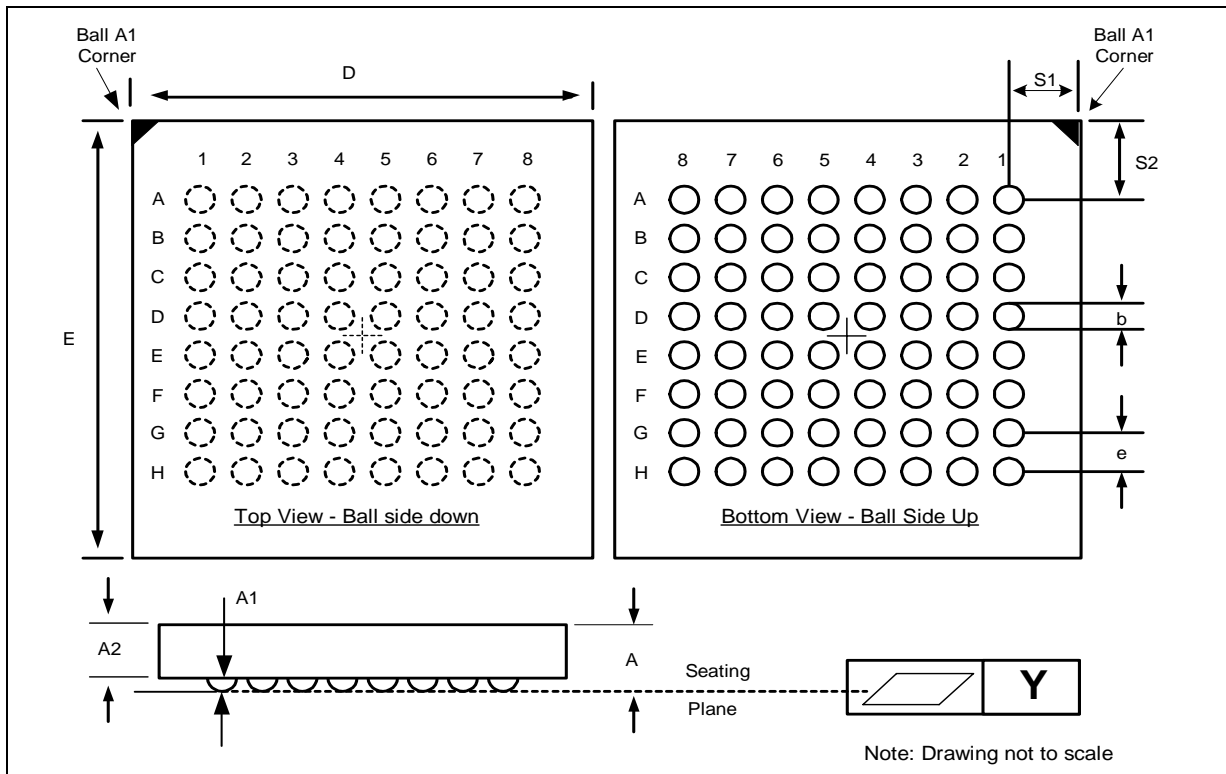


Table 2. Easy BGA Package Dimensions

Product Information	Symbol	Millimeters			Inches			Notes
		Min	Nom	Max	Min	Nom	Max	
Package Height (64/128/256-Mbit)	A	-	-	1.200	-	-	0.0472	
Package Height (512-Mbit)	A	-	-	1.300	-	-	0.0512	
Ball Height (64/128/256-Mbit)	A1	0.250	-	-	0.0098	-	-	
Ball Height (512-Mbit)	A1	0.240	-	-	0.0094	-	-	
Package Body Thickness (64/128/256-Mbit)	A2	-	0.780	-	-	0.0307	-	
Package Body Thickness (512-Mbit)	A2	-	0.910	-	-	0.0358	-	
Ball (Lead) Width	b	0.330	0.430	0.530	0.0130	0.0169	0.0209	
Package Body Width	D	9.900	10.000	10.100	0.3898	0.3937	0.3976	1
Package Body Length	E	12.900	13.000	13.100	0.5079	0.5118	0.5157	1
Pitch	[e]	-	1.000	-	-	0.0394	-	
Ball (Lead) Count	N	-	64	-	-	64	-	
Seating Plane Coplanarity	Y	-	-	0.100	-	-	0.0039	
Corner to Ball A1 Distance Along D	S1	1.400	1.500	1.600	0.0551	0.0591	0.0630	1
Corner to Ball A1 Distance Along E	S2	2.900	3.000	3.100	0.1142	0.1181	0.1220	1

Note: Daisy Chain Evaluation Unit information is at Intel® Flash Memory Packaging Technology <http://developer.intel.com/design/flash/packtech>.

3.3 QUAD+ SCSP Packages

Figure 3. 64/128-Mbit, 88-ball (80 active) QUAD+ SCSP Specifications (8x10x1.2 mm)

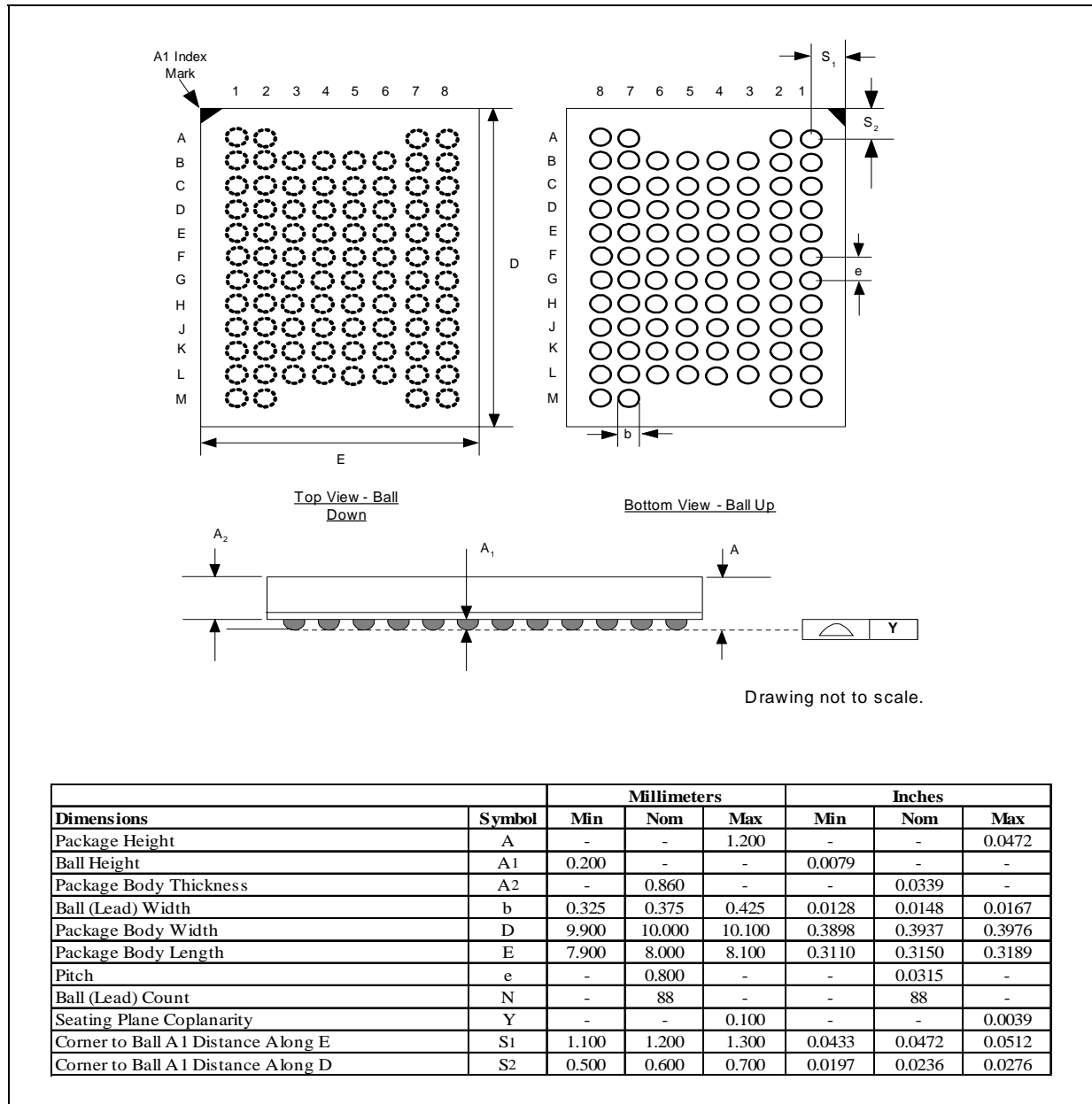


Figure 4. 256-Mbit, 88-ball (80 active) QUAD+ SCSP Specifications (8x11x1.0 mm)

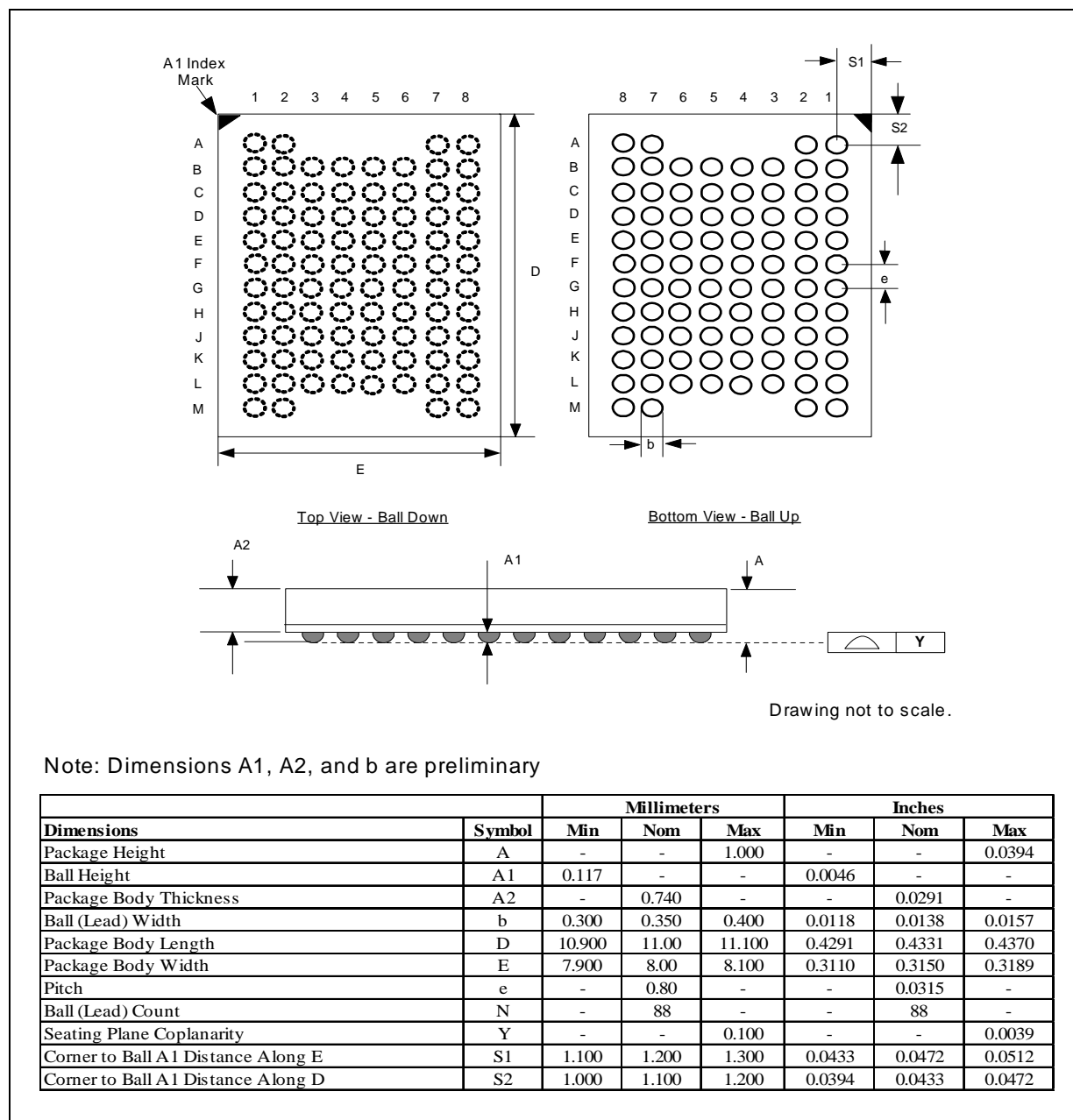


Figure 5. 512-Mbit, 88-ball (80 active) QUAD+ SCSP Specifications (8x11x1.2 mm)

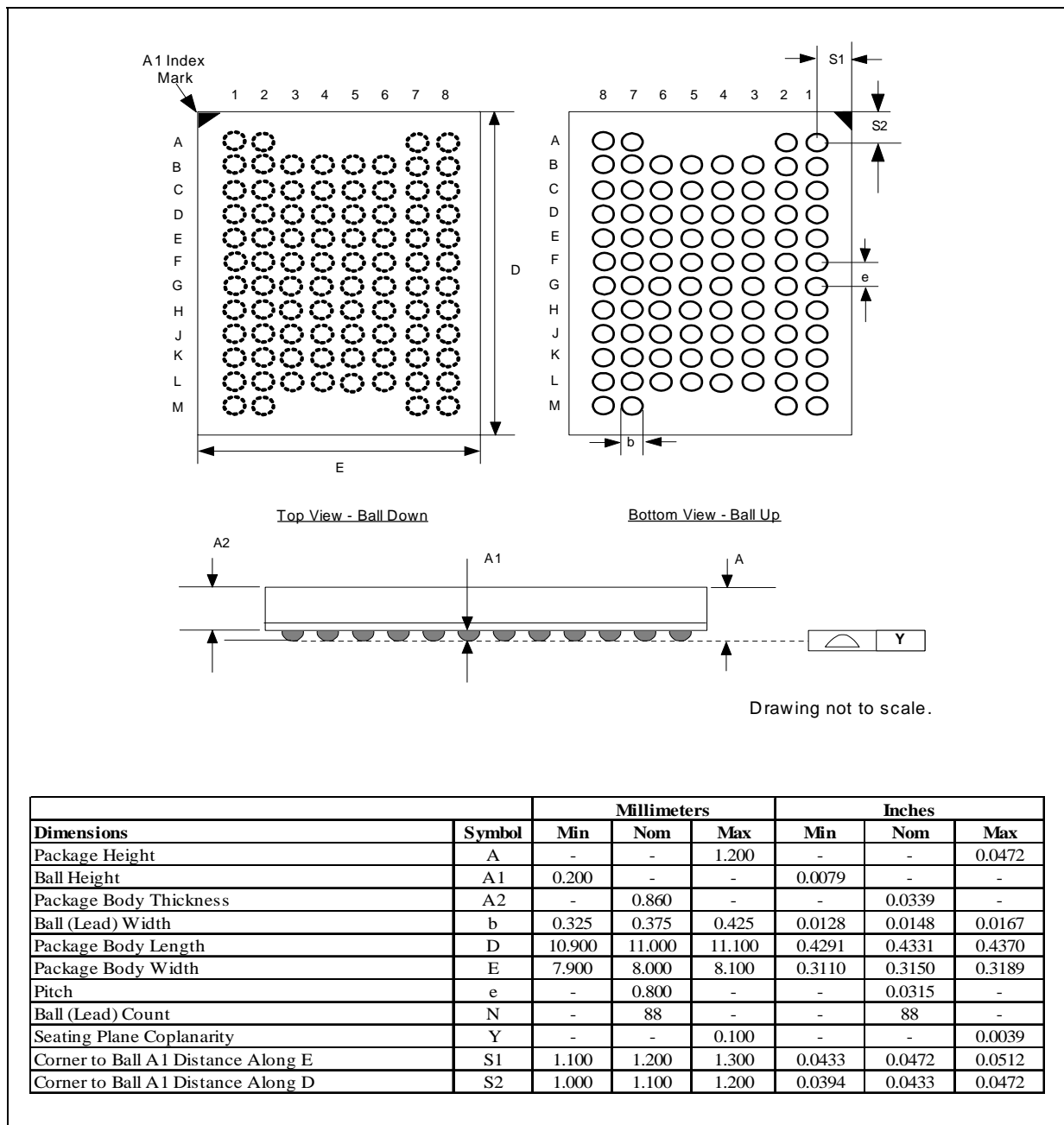
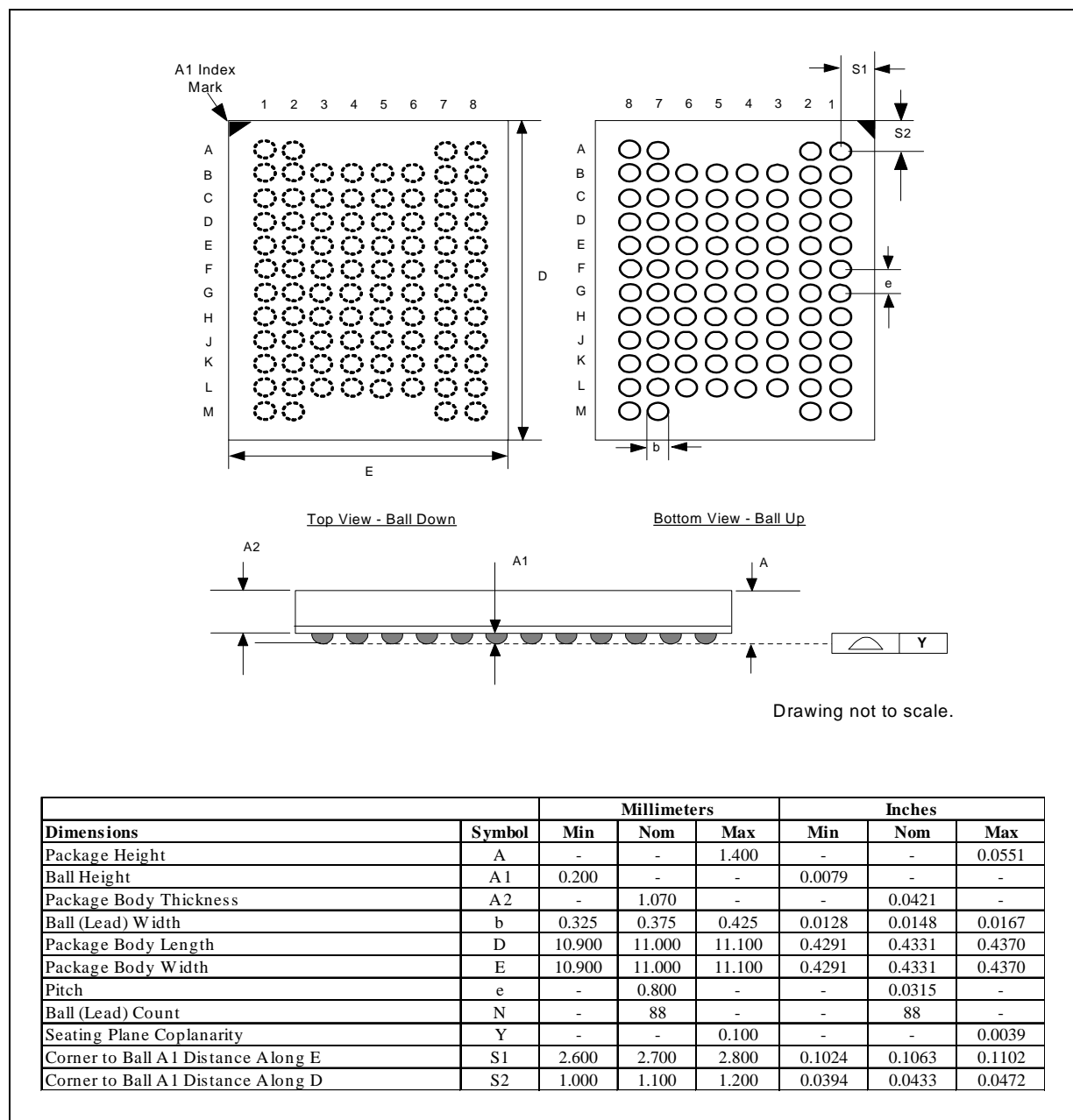


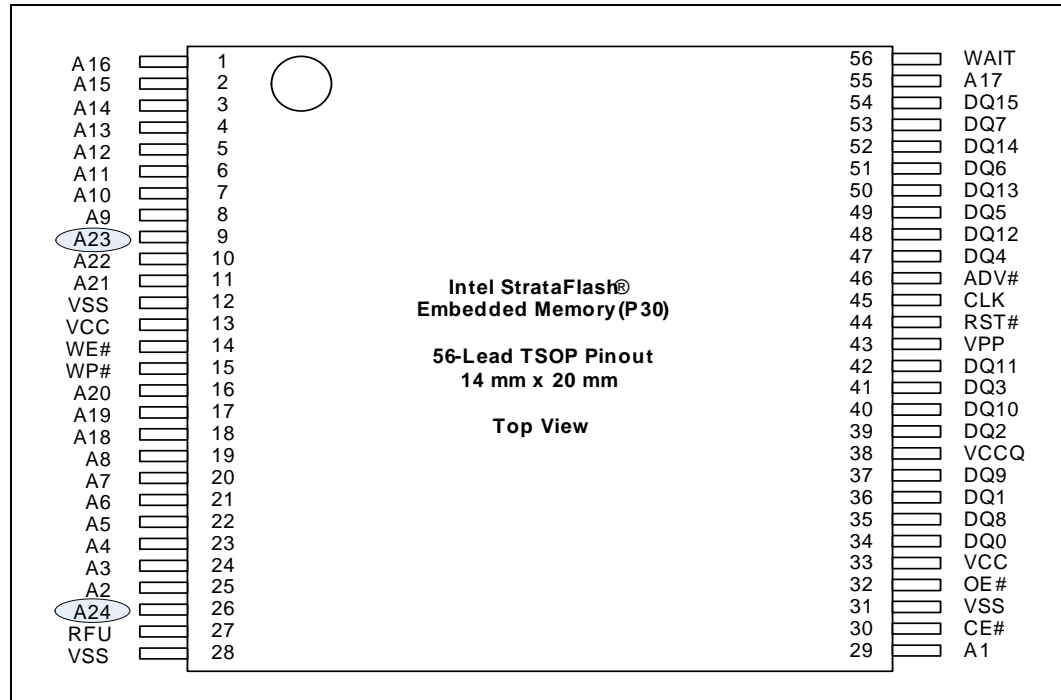
Figure 6. 1-Gbit, 88-ball (80 active) QUAD+ SCSP Specifications (11x11x1.4 mm)



4.0 Ballout and Signal Descriptions

4.1 Signal Ballout

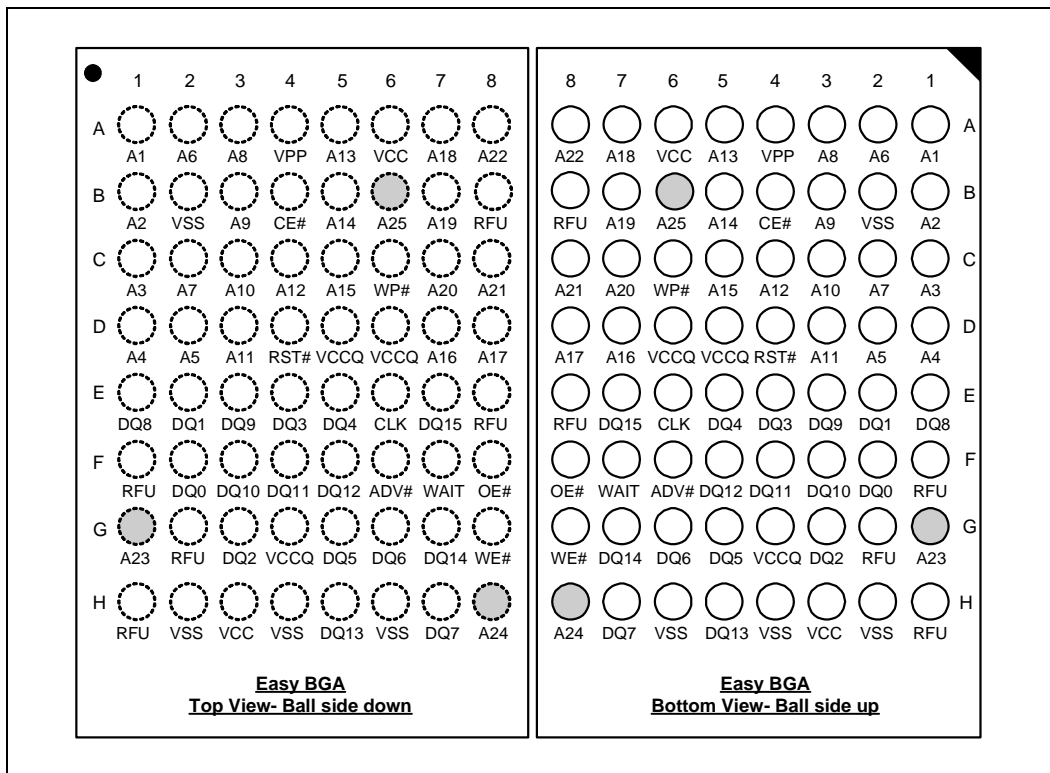
Figure 7. 56-Lead TSOP Pinout (64/128/256-Mbit)



Notes:

1. A1 is the least significant address bit.
2. A23 is valid for 128-Mbit densities and above; otherwise, it is a no connect (NC).
3. A24 is valid for 256-Mbit densities and above; otherwise, it is a no connect (NC).

Figure 8. 64-Ball Easy BGA Ballout (64/128/256/512-Mbit)



Notes:

1. A1 is the least significant address bit.
2. A23 is valid for 128-Mbit densities and above; otherwise, it is a no connect (NC).
3. A24 is valid for 256-Mbit densities and above; otherwise, it is a no connect (NC).
4. A25 is valid for 512-Mbit densities; otherwise, it is a no connect (NC).

Figure 9. 88-Ball (80-Active Ball) QUAD+ SCSP Ballout

	1	2	3	4	5	6	7	8	
A	DU	DU	Depop	Depop	Depop	Depop	DU	DU	A
B	A4	A18	A19	VSS	VCC	VCC	A21	A11	B
C	A5	RFU	A23	VSS	RFU	CLK	A22	A12	C
D	A3	A17	A24	VPP	RFU	RFU	A9	A13	D
E	A2	A7	RFU	WP#	ADV#	A20	A10	A15	E
F	A1	A6	RFU	RST#	WE#	A8	A14	A16	F
G	A0	DQ8	DQ2	DQ10	DQ5	DQ13	WAIT	F2-CE#	G
H	RFU	DQ0	DQ1	DQ3	DQ12	DQ14	DQ7	F2-OE#	H
J	RFU	F1-OE#	DQ9	DQ11	DQ4	DQ6	DQ15	VCCQ	J
K	F1-CE#	RFU	RFU	RFU	RFU	VCC	VCCQ	RFU	K
L	VSS	VSS	VCCQ	VCC	VSS	VSS	VSS	VSS	L
M	DU	DU	Depop	Depop	Depop	Depop	DU	DU	M
	1	2	3	4	5	6	7	8	

4.2 Signal Descriptions

This section has signal descriptions for the various P30 packages.

Table 3. TSOP and Easy BGA Signal Descriptions (Sheet 1 of 2)

Symbol	Type	Name and Function
A[MAX:1]	Input	ADDRESS INPUTS: Device address inputs. 64-Mbit: A[22:1]; 128-Mbit: A[23:1]; 256-Mbit: A[24:1]; 512-Mbit: A[25:1]. See Table 5 on page 22 and Figure 10 on page 23 for 512-Mbit addressing.
DQ[15:0]	Input/Output	DATA INPUT/OUTPUTS: Inputs data and commands during write cycles; outputs data during memory, Status Register, Protection Register, and Read Configuration Register reads. Data balls float when the CE# or OE# are deasserted. Data is internally latched during writes.
ADV#	Input	ADDRESS VALID: Active low input. During synchronous read operations, addresses are latched on the rising edge of ADV#, or on the next valid CLK edge with ADV# low, whichever occurs first. In asynchronous mode, the address is latched when ADV# going high or continuously flows through if ADV# is held low. WARNING: Designs not using ADV# must tie it to VSS to allow addresses to flow through.
CE#	Input	FLASH CHIP ENABLE: Active low input. CE# low selects the associated flash memory die. When asserted, flash internal control logic, input buffers, decoders, and sense amplifiers are active. When deasserted, the associated flash die is deselected, power is reduced to standby levels, data and WAIT outputs are placed in high-Z state. WARNING: All chip enables must be high when device is not in use.
CLK	Input	CLOCK: Synchronizes the device with the system's bus frequency in synchronous-read mode. During synchronous read operations, addresses are latched on the rising edge of ADV#, or on the next valid CLK edge with ADV# low, whichever occurs first. WARNING: Designs not using CLK for synchronous read mode must tie it to VCCQ or VSS.
OE#	Input	OUTPUT ENABLE: Active low input. OE# low enables the device's output data buffers during read cycles. OE# high places the data outputs and WAIT in High-Z.
RST#	Input	RESET: Active low input. RST# resets internal automation and inhibits write operations. This provides data protection during power transitions. RST# high enables normal operation. Exit from reset places the device in asynchronous read array mode.
WAIT	Output	WAIT: Indicates data valid in synchronous array or non-array burst reads. Read Configuration Register bit 10 (RCR[10], WT) determines its polarity when asserted. WAIT's active output is V_{OL} or V_{OH} when CE# and OE# are V_{IL} . WAIT is high-Z if CE# or OE# is V_{IH} . <ul style="list-style-type: none"> In synchronous array or non-array read modes, WAIT indicates invalid data when asserted and valid data when deasserted. In asynchronous page mode, and all write modes, WAIT is deasserted.
WE#	Input	WRITE ENABLE: Active low input. WE# controls writes to the device. Address and data are latched on the rising edge of WE#.
WP#	Input	WRITE PROTECT: Active low input. WP# low enables the lock-down mechanism. Blocks in lock-down cannot be unlocked with the Unlock command. WP# high overrides the lock-down function enabling blocks to be erased or programmed using software commands.
VPP	Power/ Input	Erase and Program Power: A valid voltage on this pin allows erasing or programming. Memory contents cannot be altered when $V_{PP} \leq V_{PPLK}$. Block erase and program at invalid V_{PP} voltages should not be attempted. Set $V_{PP} = V_{CC}$ for in-system program and erase operations. To accommodate resistor or diode drops from the system supply, the V_{IH} level of V_{PP} can be as low as V_{PPL} min. V_{PP} must remain above V_{PPL} min to perform in-system flash modification. VPP may be 0 V during read operations. V_{PPH} can be applied to main blocks for 1000 cycles maximum and to parameter blocks for 2500 cycles. VPP can be connected to 9 V for a cumulative total not to exceed 80 hours. Extended use of this pin at 9 V may reduce block cycling capability.
VCC	Power	Device Core Power Supply: Core (logic) source voltage. Writes to the flash array are inhibited when $V_{CC} \leq V_{LKO}$. Operations at invalid V_{CC} voltages should not be attempted.

Table 3. TSOP and Easy BGA Signal Descriptions (Sheet 2 of 2)

Symbol	Type	Name and Function
VCCQ	Power	Output Power Supply: Output-driver source voltage.
VSS	Power	Ground: Connect to system ground. Do not float any VSS connection.
RFU	—	Reserved for Future Use: Reserved by Intel for future device functionality and enhancement. These should be treated in the same way as a Do Not Use (DU) signal.
DU	—	Do Not Use: Do not connect to any other signal, or power supply; must be left floating.
NC	—	No Connect: No internal connection; can be driven or floated.

Table 4. QUAD+ SCSP Signal Descriptions (Sheet 1 of 2)

Symbol	Type	Name and Function
A[MAX:0]	Input	ADDRESS INPUTS: Device address inputs. 64-Mbit: A[21:0]; 128-Mbit: A[22:0]; 256-Mbit: A[23:0]; 512-Mbit: A[24:0]. See Table 6 on page 22 , Figure 11 on page 23 , and Figure 12 on page 23 for 512-Mbit and 1-Gbit addressing.
DQ[15:0]	Input/Output	DATA INPUT/OUTPUTS: Inputs data and commands during write cycles; outputs data during memory, Status Register, Protection Register, and Read Configuration Register reads. Data balls float when the CE# or OE# are deasserted. Data is internally latched during writes.
ADV#	Input	ADDRESS VALID: Active low input. During synchronous read operations, addresses are latched on the rising edge of ADV#, or on the next valid CLK edge with ADV# low, whichever occurs first. In asynchronous mode, the address is latched when ADV# going high or continuously flows through if ADV# is held low. WARNING: Designs not using ADV# must tie it to VSS to allow addresses to flow through.
F1-CE# F2-CE#	Input	FLASH CHIP ENABLE: Active low input. CE# low selects the associated flash memory die. When asserted, flash internal control logic, input buffers, decoders, and sense amplifiers are active. When deasserted, the associated flash die is deselected, power is reduced to standby levels, data and WAIT outputs are placed in high-Z state. See Table 6 on page 22 for CE# assignment definitions. WARNING: All chip enables must be high when device is not in use.
CLK	Input	CLOCK: Synchronizes the device with the system's bus frequency in synchronous-read mode. During synchronous read operations, addresses are latched on the rising edge of ADV#, or on the next valid CLK edge with ADV# low, whichever occurs first. WARNING: Designs not using CLK for synchronous read mode must tie it to VCCQ or VSS.
F1-OE# F2-OE#	Input	OUTPUT ENABLE: Active low input. OE# low enables the device's output data buffers during read cycles. OE# high places the data outputs and WAIT in High-Z. F1-OE# and F2-OE# should be tied together for all densities.
RST#	Input	RESET: Active low input. RST# resets internal automation and inhibits write operations. This provides data protection during power transitions. RST# high enables normal operation. Exit from reset places the device in asynchronous read array mode.
WAIT	Output	WAIT: Indicates data valid in synchronous array or non-array burst reads. Read Configuration Register bit 10 (RCR[10], WT) determines its polarity when asserted. WAIT's active output is V _{OL} or V _{OH} when CE# and OE# are V _{IL} . WAIT is high-Z if CE# or OE# is V _{IH} . <ul style="list-style-type: none"> In synchronous array or non-array read modes, WAIT indicates invalid data when asserted and valid data when deasserted. In asynchronous page mode, and all write modes, WAIT is deasserted.
WE#	Input	WRITE ENABLE: Active low input. WE# controls writes to the device. Address and data are latched on the rising edge of WE#.

Table 4. QUAD+ SCSP Signal Descriptions (Sheet 2 of 2)

Symbol	Type	Name and Function
WP#	Input	WRITE PROTECT: Active low input. WP# low enables the lock-down mechanism. Blocks in lock-down cannot be unlocked with the Unlock command. WP# high overrides the lock-down function enabling blocks to be erased or programmed using software commands.
VPP	Power/ Input	Erase and Program Power: A valid voltage on this pin allows erasing or programming. Memory contents cannot be altered when $V_{PP} \leq V_{PPLK}$. Block erase and program at invalid V_{PP} voltages should not be attempted. Set $V_{PP} = V_{CC}$ for in-system program and erase operations. To accommodate resistor or diode drops from the system supply, the V_{IH} level of V_{PP} can be as low as V_{PPL} min. V_{PP} must remain above V_{PPL} min to perform in-system flash modification. V_{PP} may be 0 V during read operations. V_{PPH} can be applied to main blocks for 1000 cycles maximum and to parameter blocks for 2500 cycles. V_{PP} can be connected to 9 V for a cumulative total not to exceed 80 hours. Extended use of this pin at 9 V may reduce block cycling capability.
VCC	Power	Device Core Power Supply: Core (logic) source voltage. Writes to the flash array are inhibited when $V_{CC} \leq V_{LKO}$. Operations at invalid V_{CC} voltages should not be attempted.
VCCQ	Power	Output Power Supply: Output-driver source voltage.
VSS	Power	Ground: Connect to system ground. Do not float any VSS connection.
RFU	—	Reserved for Future Use: Reserved by Intel for future device functionality and enhancement. These should be treated in the same way as a Do Not Use (DU) signal.
DU	—	Do Not Use: Do not connect to any other signal, or power supply; must be left floating.
NC	—	No Connect: No internal connection; can be driven or floated.

4.3 SCSP Configurations

Table 5. Stacked Easy BGA Chip Select Logic

Stack Combination	Selected Flash Die #1	Selected Flash Die #2
1-die	F1-CE#	-
2-die	F1-CE# + A25 (V_{IL})	F1-CE# + A25 (V_{IH})

Table 6. QUAD+ SCSP Chip Select Logic

Stack Combination	Selected Flash Die #1	Selected Flash Die #2	Selected Flash Die #3	Selected Flash Die #4
1-die	F1-CE#	-	-	-
2-die	F1-CE# + A24 (V_{IL})	F1-CE# + A24 (V_{IH})	-	-
4-die	F1-CE# + A24 (V_{IL})	F1-CE# + A24 (V_{IH})	F2-CE# + A24 (V_{IL})	F2-CE# + A24 (V_{IH})

Figure 10. 512-Mbit Easy BGA Device Block Diagram

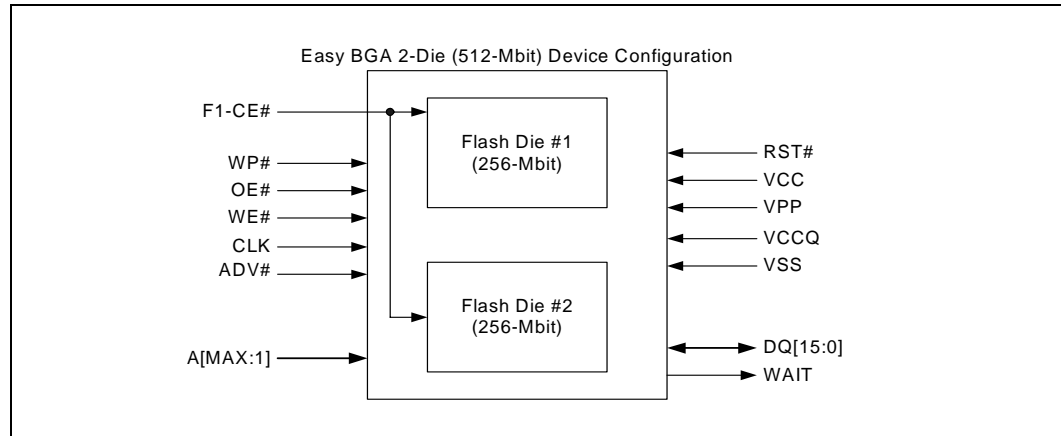


Figure 11. 512-Mbit QUAD+ SCSP Device Block Diagram

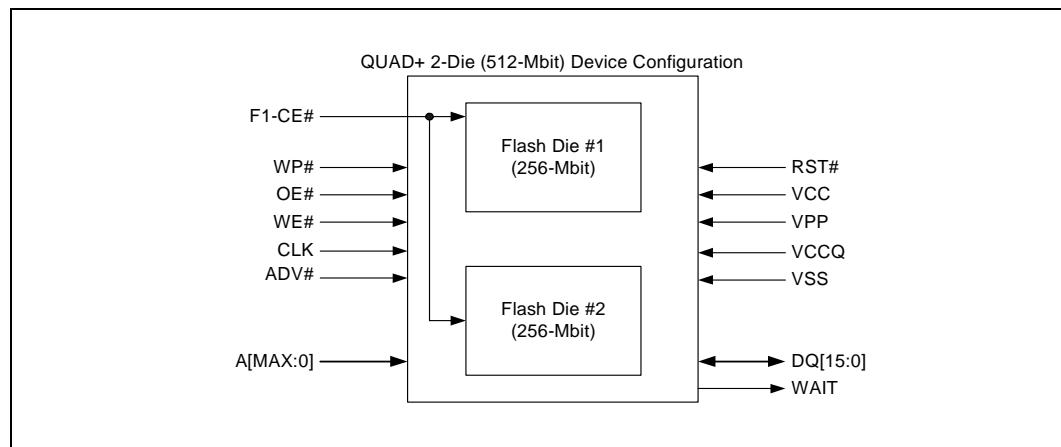
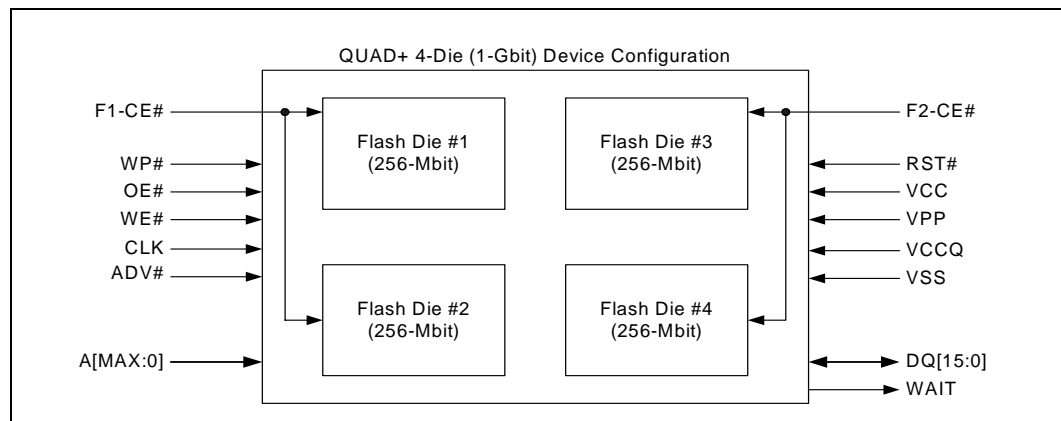


Figure 12. 1-Gbit QUAD+ SCSP Device Block Diagram





4.4 Memory Maps

Table 7 through Table 10 show the P30 memory maps. See Section 11.0, “Programming Operations” on page 61 for Programming Region information.

Table 7. Discrete Top Parameter Memory Maps (all packages)

Programming Region #	Size (KB)	Blk	256-Mbit	Blk	128-Mbit	Programming Region #	Size (KB)	Blk	64-Mbit
15	32	258	FFC000 - FFFFFFFF	130	7FC000 - 7FFFFFFF	7	32	66	3FC000 - 3FFFFFFF
	⋮	⋮	⋮	⋮	⋮		⋮	⋮	⋮
	32	255	FF0000 - FF3FFF	127	7F0000 - FF3FFF		32	63	3F0000 - 3F3FFF
	128	254	FE0000 - FEFFFF	126	7E0000 - 7EFFFF		128	62	3E0000 - 3EFFFF
	⋮	⋮	⋮	⋮	⋮		⋮	⋮	⋮
14	128	240	F00000 - F0FFFF	120	780000 - 78FFFF	6	128	56	380000 - 38FFFF
	⋮	⋮	⋮	⋮	⋮		⋮	⋮	⋮
13	128	239	EF0000 - EFFFFFFF	119	770000 - 77FFFF	5	128	55	370000 - 37FFFF
	⋮	⋮	⋮	⋮	⋮		⋮	⋮	⋮
	128	224	E00000 - E0FFFF	112	700000 - 70FFFF		128	48	300000 - 30FFFF
12	128	223	DF0000 - DFFFFFFF	111	6F0000 - 6FFFFFFF	4	128	47	2F0000 - 2FFFFFFF
	⋮	⋮	⋮	⋮	⋮		⋮	⋮	⋮
11	128	208	D00000 - D0FFFF	104	680000 - 68FFFF	3	128	40	280000 - 28FFFF
	⋮	⋮	⋮	⋮	⋮		⋮	⋮	⋮
10	128	207	CF0000 - CFFFFFFF	103	670000 - 67FFFF	2	128	39	270000 - 27FFFF
	⋮	⋮	⋮	⋮	⋮		⋮	⋮	⋮
9	128	192	C00000 - C0FFFF	96	600000 - 60FFFF	1	128	32	200000 - 20FFFF
	⋮	⋮	⋮	⋮	⋮		⋮	⋮	⋮
8	128	191	BF0000 - BFFFFFFF	95	5F0000 - 5FFFFFFF	0	128	31	1F0000 - 1FFFFFFF
	⋮	⋮	⋮	⋮	⋮		⋮	⋮	⋮
7	128	176	B00000 - B0FFFF	88	580000 - 58FFFF	128	24	180000 - 18FFFF	
	⋮	⋮	⋮	⋮	⋮	⋮	⋮	⋮	
6	128	175	AF0000 - AFFFFFFF	87	570000 - 57FFFF	128	23	170000 - 17FFFF	
	⋮	⋮	⋮	⋮	⋮	⋮	⋮	⋮	
5	128	160	A00000 - A0FFFF	80	500000 - 50FFFF	128	16	100000 - 10FFFF	
	⋮	⋮	⋮	⋮	⋮	⋮	⋮	⋮	
4	128	159	9F0000 - 9FFFFFFF	79	4F0000 - 4FFFFFFF	128	15	0F0000 - 0FFFFFFF	
	⋮	⋮	⋮	⋮	⋮	⋮	⋮	⋮	
3	128	144	900000 - 90FFFF	72	480000 - 48FFFF	128	8	080000 - 08FFFF	
	⋮	⋮	⋮	⋮	⋮	⋮	⋮	⋮	
2	128	143	8F0000 - 8FFFFFFF	71	470000 - 47FFFF	128	7	070000 - 07FFFF	
	⋮	⋮	⋮	⋮	⋮	⋮	⋮	⋮	
1	128	128	800000 - 80FFFF	64	400000 - 40FFFF	128	0	000000 - 00FFFF	
	⋮	⋮	⋮	⋮	⋮	⋮	⋮	⋮	
0	128	127	7F0000 - 7FFFFFFF	63	3F0000 - 3FFFFFFF	128	0	000000 - 00FFFF	
	⋮	⋮	⋮	⋮	⋮	⋮	⋮	⋮	
7	128	112	700000 - 70FFFF	56	380000 - 38FFFF	128	0	000000 - 00FFFF	
	⋮	⋮	⋮	⋮	⋮	⋮	⋮	⋮	

Table 7. Discrete Top Parameter Memory Maps (all packages)

Programming Region #	Size (KB)	Blk	256-Mbit	Blk	128-Mbit
6	128	111	6F0000 - 6FFFFFF	55	370000 - 37FFFF
	:	:	:	:	:
5	128	96	600000 - 60FFFF	48	300000 - 30FFFF
	:	:	:	:	:
4	128	79	4F0000 - 4FFFFFF	38	270000 - 27FFFF
	:	:	:	:	:
3	128	63	3F0000 - 3FFFFFF	31	1F0000 - 1FFFFFF
	:	:	:	:	:
2	128	47	2F0000 - 2FFFFFF	23	170000 - 17FFFF
	:	:	:	:	:
1	128	31	1F0000 - 1FFFFFF	15	0F0000 - 0FFFFFF
	:	:	:	:	:
0	128	15	0F0000 - 0FFFFFF	7	070000 - 07FFFF
	:	:	:	:	:
	128	0	000000 - 00FFFF	0	000000 - 00FFFF

Programming Region #	Size (KB)	Blk	64-Mbit

Table 8. Discrete Bottom Parameter Memory Maps (all packages)

Programming Region	Size (KB)	Blk	256-Mbit	Blk	128-Mbit
15	128	258	FF0000 - FFFFFFF	130	7F0000 - 7FFFFFF
	:	:	:	:	:
14	128	243	F00000 - F0FFFF	123	780000 - 78FFFF
	:	:	:	:	:
13	128	226	DF0000 - DFFFFFF	114	6F0000 - 6FFFFFF
	:	:	:	:	:
	128	211	D00000 - D0FFFF	107	680000 - 68FFFF

Programming Region	Size (KB)	Blk	64-Mbit
7	128	62	3F0000 - 3FFFFFF
	:	:	:
6	128	56	380000 - 38FFFF
	:	:	:
5	128	55	370000 - 37FFFF
	:	:	:
	128	48	300000 - 30FFFF
	:	:	:
	128	47	2F0000 - 2FFFFFF
	:	:	:
	128	40	280000 - 28FFFF

Table 8. Discrete Bottom Parameter Memory Maps (all packages)

Programming Region	Size (KB)	Blk	256-Mbit	Blk	128-Mbit
12	128	210	CF0000 - CFFFFFFF	106	670000 - 67FFFF
	:	:	:	:	:
11	128	195	C00000 - C0FFFF	99	600000 - 60FFFF
	:	:	:	:	:
10	128	178	AF0000 - AFFFFF	90	570000 - 57FFFF
	:	:	:	:	:
9	128	162	9F0000 - 9FFFFFFF	82	4F0000 - 4FFFFFFF
	:	:	:	:	:
8	128	146	8F0000 - 8FFFFFFF	74	470000 - 47FFFF
	:	:	:	:	:
7	128	130	7F0000 - 7FFFFFFF	66	3F0000 - 3FFFFFFF
	:	:	:	:	:
6	128	114	6F0000 - 6FFFFFFF	58	370000 - 37FFFF
	:	:	:	:	:
5	128	98	5F0000 - 5FFFFFFF	50	2F0000 - 2FFFFFFF
	:	:	:	:	:
4	128	82	4F0000 - 4FFFFFFF	42	270000 - 27FFFF
	:	:	:	:	:
3	128	66	3F0000 - 3FFFFFFF	34	1F0000 - 1FFFFFFF
	:	:	:	:	:
2	128	50	2F0000 - 2FFFFFFF	26	170000 - 17FFFF
	:	:	:	:	:
1	128	34	1F0000 - 1FFFFFFF	18	0F0000 - 0FFFFFFF
	:	:	:	:	:

Programming Region	Size (KB)	Blk	64-Mbit
4	128	39	270000 - 27FFFF
	:	:	:
3	128	32	200000 - 20FFFF
	:	:	:
2	128	31	1F0000 - 1FFFFFFF
	:	:	:
1	128	24	180000 - 18FFFF
	:	:	:
0	128	23	170000 - 17FFFF
	:	:	:
0	128	16	100000 - 10FFFF
	:	:	:
0	128	15	0F0000 - 0FFFFFFF
	:	:	:
0	128	8	080000 - 08FFFF
	:	:	:
0	128	10	070000 - 07FFFF
	:	:	:
0	128	4	010000 - 01FFFF
	:	:	:
0	32	3	00C000 - 00FFFF
	:	:	:
0	32	0	000000 - 003FFF
	:	:	:

Table 8. Discrete Bottom Parameter Memory Maps (all packages)

Programming Region	Size (KB)	Blk	256-Mbit	Blk	128-Mbit
0	128	18	0F0000 - 0FFFFFFF	10	070000 - 07FFFFF
	⋮	⋮	⋮	⋮	⋮
	128	4	010000 - 01FFFFF	4	010000 - 01FFFFF
	32	3	00C000 - 00FFFFF	3	00C000 - 00FFFFF
	⋮	⋮	⋮	⋮	⋮
	32	0	000000 - 03FFFFF	0	000000 - 00FFFFF

Programming Region	Size (KB)	Blk	64-Mbit
--------------------	-----------	-----	---------

Table 9. 512-Mbit Memory Map (Easy BGA and QUAD+ SCSP)

Flash Die #	Die Stack Config.	Size (KB)	512-Mbit Flash (2x256-Mbit w/ 1CE)	
			Blk	Address Range
2	Flash Die #2 (Top Parameter)	32	258	FFC000 - FFFFFFFF
		⋮	⋮	⋮
		32	255	FF0000 - FF3FFFF
		128	254	FE0000 - FEFFFFF
		⋮	⋮	⋮
		128	0	000000 - 00FFFFF
1	Flash Die #1 (Bottom Parameter)	128	258	FF0000 - FFFFFFFF
		⋮	⋮	⋮
		128	4	010000 - 01FFFFF
		32	3	00C000 - 00FFFFF
		⋮	⋮	⋮
		32	0	000000 - 003FFFF

Note: Refer to 256-Mbit Memory Map (Table 7 and Table 8) for Programming Region Information.

Table 10. 1-Gbit Memory Map (QUAD+ SCSP only)

Flash Die #	Die Stack Config.	Size (KB)	1-Gbit Flash (4x256-Mbit w/ 2CE)	
			Blk	Address Range
4	Flash Die #4 (Top Parameter)	32	258	FFC000 - FFFFFFFF
		⋮	⋮	⋮
		32	255	FF0000 - FF3FFF
		128	254	FE0000 - FEFFFF
		⋮	⋮	⋮
		128	0	000000 - 00FFFF
3	Flash Die #3 (Bottom Parameter)	128	258	FF0000 - FFFFFFFF
		⋮	⋮	⋮
		128	5	020000 - 02FFFF
		32	3	00C000 - 00FFFF
		⋮	⋮	⋮
		32	0	000000 - 003FFF
2	Flash Die #2 (Top Parameter)	32	258	FFC000 - FFFFFFFF
		⋮	⋮	⋮
		32	255	FF0000 - FF3FFF
		128	254	FE0000 - FEFFFF
		⋮	⋮	⋮
		128	0	000000 - 00FFFF
1	Flash Die #1 (Bottom Parameter)	128	258	FF0000 - FFFFFFFF
		⋮	⋮	⋮
		128	4	010000 - 01FFFF
		32	3	00C000 - 00FFFF
		⋮	⋮	⋮
		32	0	000000 - 003FFF

Note: Refer to 256-Mbit Memory Map (Table 7 and Table 8) for Programming Region Information.

5.0 Maximum Ratings and Operating Conditions

5.1 Absolute Maximum Ratings

Warning: Stressing the device beyond the “Absolute Maximum Ratings” may cause permanent damage. These are stress ratings only.

Parameter	Maximum Rating	Notes
Temperature under bias	-40 °C to +85 °C	1
Storage temperature	-65 °C to +125 °C	
Voltage on any signal (except VCC, VPP)	-0.5 V to +4.1 V	2
VPP voltage	-0.2 V to +10 V	2,3,4
VCC voltage	-0.2 V to +2.5 V	2
VCCQ voltage	-0.2 V to +4.1 V	2
Output short circuit current	100 mA	5

Notes:

- Temperature for 1-Gbit SCSP is -30 °C to +85 °C.
- Voltages shown are specified with respect to V_{SS} . Minimum DC voltage is -0.5 V on input/output signals and -0.2 V on V_{CC} , V_{CCQ} , and V_{PP} . During transitions, this level may undershoot to -2.0 V for periods < 20 ns. Maximum DC voltage on V_{CC} is $V_{CC} + 0.5$ V, which, during transitions, may overshoot to $V_{CC} + 2.0$ V for periods < 20 ns. Maximum DC voltage on input/output signals and V_{CCQ} is $V_{CCQ} + 0.5$ V, which, during transitions, may overshoot to $V_{CCQ} + 2.0$ V for periods < 20 ns.
- Maximum DC voltage on V_{PP} may overshoot to +11.5 V for periods < 20 ns.
- Program/erase voltage is typically 1.7 V – 2.0 V. 9.0 V can be applied for 80 hours maximum total, to any blocks for 1000 cycles maximum. 9.0 V program/erase voltage may reduce block cycling capability.
- Output shorted for no more than one second. No more than one output shorted at a time.

5.2 Operating Conditions

Note: Operation beyond the “Operating Conditions” is not recommended and extended exposure beyond the “Operating Conditions” may affect device reliability.

Table 11. Operating Conditions

Symbol	Parameter		Min	Max	Units	Notes
T _C	Operating Temperature		-40	+85	°C	1,2
V _{CC}	VCC Supply Voltage		1.7	2.0	V	3
V _{CCQ}	I/O Supply Voltage	CMOS inputs	1.7	3.6		
		TTL inputs	2.4	3.6		
V _{PPL}	V _{PP} Voltage Supply (Logic Level)		0.9	3.6		
V _{PPH}	Factory word programming V _{PP}		8.5	9.5		
t _{PPH}	Maximum VPP Hours	V _{PP} = V _{PPH}	-	80	Hours	
Block Erase Cycles	Main and Parameter Blocks	V _{PP} = V _{CC}	100,000	-	Cycles	
	Main Blocks	V _{PP} = V _{PPH}	-	1000		
	Parameter Blocks	V _{PP} = V _{PPH}	-	2500		

NOTES:

1. T_C = Case Temperature
2. Temperature for 1-Gbit SCSP is -30 °C to +85 °C.
3. In typical operation, the VPP program voltage is V_{PPL}. VPP can be connected to 8.5 V – 9.5 V for 80 hours.

6.0 Electrical Specifications

6.1 DC Current Characteristics

Table 12. DC Current Characteristics (Sheet 1 of 2)

Sym	Parameter		CMOS Inputs ($V_{CCQ} = 1.7\text{ V} - 3.6\text{ V}$)		TTL Inputs ($V_{CCQ} = 2.4\text{ V} - 3.6\text{ V}$)		Unit	Test Conditions	Notes	
			Typ	Max	Typ	Max				
I_{LI}	Input Load Current		-	± 1	-	± 2	μA	$V_{CC} = V_{CCMax}$ $V_{CCQ} = V_{CCQMax}$ $V_{IN} = V_{CCQ}$ or V_{SS}	1	
I_{LO}	Output Leakage Current	DQ[15:0], WAIT	-	± 1	-	± 10	μA	$V_{CC} = V_{CCMax}$ $V_{CCQ} = V_{CCQMax}$ $V_{IN} = V_{CCQ}$ or V_{SS}	1	
I_{CCS} , I_{CCD}	V_{CC} Standby, Power Down		64-Mbit	20	35	20	35	μA	$V_{CC} = V_{CCMax}$ $V_{CCQ} = V_{CCQMax}$ $CE\# = V_{CCQ}$ $RST\# = V_{CCQ}$ (for I_{CCS}) $RST\# = V_{SS}$ (for I_{CCD}) $WP\# = V_{IH}$	1,2
			128-Mbit	30	75	30	75			
			256-Mbit	55	115	55	200			
			512-Mbit	110	230	110	400			
			1-Gbit	220	460	220	800			
I_{CCR}	Average V_{CC} Read Current	Asynchronous Single-Word $f = 5\text{ MHz}$ (1 CLK)	14	16	14	16	mA	1-Word Read	$V_{CC} = V_{CCMax}$ $CE\# = V_{IL}$ $OE\# = V_{IH}$ Inputs: V_{IL} or V_{IH}	1
		Page-Mode Read $f = 13\text{ MHz}$ (5 CLK)	9	10	9	10	mA	4-Word Read		
		Synchronous Burst $f = 40\text{ MHz}$	13	17	n/a	n/a	mA	BL = 4W		
			15	19	n/a	n/a	mA	BL = 8W		
			17	21	n/a	n/a	mA	BL = 16W		
			21	26	n/a	n/a	mA	BL = Cont.		
I_{CCW} , I_{CCE}	V_{CC} Program Current,		36	51	36	51	mA	$V_{PP} = V_{PPL}$, pgm/ers in progress	1,3,4,7	
	V_{CC} Erase Current		26	33	26	33		$V_{PP} = V_{PPH}$, pgm/ers in progress		
I_{CCWS} , I_{CCES}	V_{CC} Program Suspend Current, V_{CC} Erase Suspend Current		64-Mbit	20	35	20	35	μA	$CE\# = V_{CCQ}$; suspend in progress	1,3,6
			128-Mbit	30	75	30	75			
			256-Mbit	55	115	55	200			
			512-Mbit	110	230	110	400			
			1-Gbit	220	460	220	800			
I_{PPS} , I_{PPWS} , I_{PPES}	V_{PP} Standby Current, V_{PP} Program Suspend Current, V_{PP} Erase Suspend Current		0.2	5	0.2	5	μA	$V_{PP} = V_{PPL}$, suspend in progress	1,3	
I_{PPR}	V_{PP} Read		2	15	2	15	μA	$V_{PP} \leq V_{CC}$	1,3	

Table 12. DC Current Characteristics (Sheet 2 of 2)

Sym	Parameter	CMOS Inputs ($V_{CCQ} = 1.7\text{ V} - 3.6\text{ V}$)		TTL Inputs ($V_{CCQ} = 2.4\text{ V} - 3.6\text{ V}$)		Unit	Test Conditions	Notes
		Typ	Max	Typ	Max			
I _{PPW}	V _{PP} Program Current	0.05	0.10	0.05	0.10	mA	V _{PP} = V _{PP,L} , program in progress	
		8	22	8	22		V _{PP} = V _{PP,H} , program in progress	
I _{PPE}	V _{PP} Erase Current	0.05	0.10	0.05	0.10	mA	V _{PP} = V _{PP,L} , erase in progress	
		8	22	8	22		V _{PP} = V _{PP,H} , erase in progress	

Notes:

- All currents are RMS unless noted. Typical values at typical V_{CC}, T_C = +25 °C.
- I_{CCS} is the average current measured over any 5 ms time interval 5 μs after CE# is deasserted.
- Sampled, not 100% tested.
- V_{CC} read + program current is the sum of V_{CC} read and V_{CC} program currents.
- V_{CC} read + erase current is the sum of V_{CC} read and V_{CC} erase currents.
- I_{CCES} is specified with the device deselected. If device is read while in erase suspend, current is I_{CCES} plus I_{CCR}.
- I_{CCW}, I_{CCS} measured over typical or max times specified in Section 7.5, "Program and Erase Characteristics" on page 45.

6.2 DC Voltage Characteristics

Table 13. DC Voltage Characteristics

Sym	Parameter	CMOS Inputs ($V_{CCQ} = 1.7\text{ V} - 3.6\text{ V}$)		TTL Inputs ⁽¹⁾ ($V_{CCQ} = 2.4\text{ V} - 3.6\text{ V}$)		Unit	Test Condition	Notes
		Min	Max	Min	Max			
V _{IL}	Input Low Voltage	0	0.4	0	0.6	V		2
V _{IH}	Input High Voltage	V _{CCQ} - 0.4	V _{CCQ}	2.0	V _{CCQ}	V		
V _{OL}	Output Low Voltage	-	0.1	-	0.1	V	V _{CC} = V _{CCMin} V _{CCQ} = V _{CCQMin} I _{OL} = 100 μA	
V _{OH}	Output High Voltage	V _{CCQ} - 0.1	-	V _{CCQ} - 0.1	-	V	V _{CC} = V _{CCMin} V _{CCQ} = V _{CCQMin} I _{OH} = -100 μA	
V _{PPLK}	V _{PP} Lock-Out Voltage	-	0.4	-	0.4	V		3
V _{LKO}	V _{CC} Lock Voltage	1.0	-	1.0	-	V		
V _{LKOQ}	V _{CCQ} Lock Voltage	0.9	-	0.9	-	V		

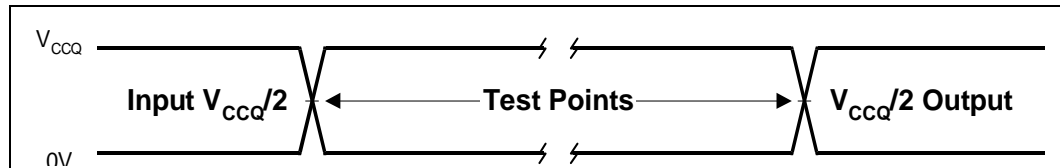
NOTES:

- Synchronous read mode is not supported with TTL inputs.
- V_{IL} can undershoot to -0.4 V and V_{IH} can overshoot to V_{CCQ} + 0.4 V for durations of 20 ns or less.
- V_{PP} ≤ V_{PPLK} inhibits erase and program operations. Do not use V_{PPL} and V_{PPH} outside their valid ranges.

7.0 AC Characteristics

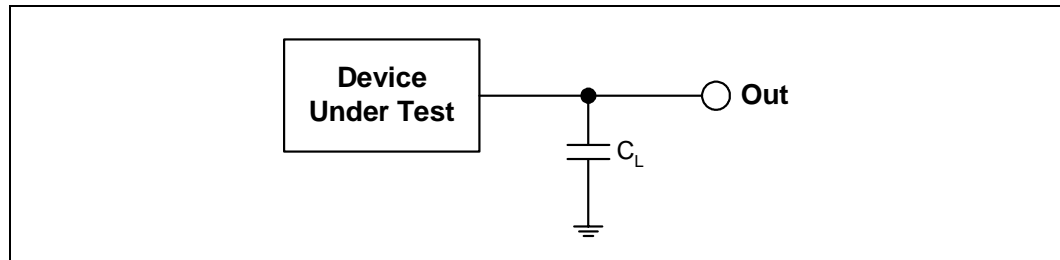
7.1 AC Test Conditions

Figure 13. AC Input/Output Reference Waveform



Note: AC test inputs are driven at V_{CCQ} for Logic "1" and 0.0 V for Logic "0." Input/output timing begins/ends at $V_{CCQ}/2$. Input rise and fall times (10% to 90%) < 5 ns. Worst case speed occurs at $V_{CC} = V_{CCMin}$.

Figure 14. Transient Equivalent Testing Load Circuit



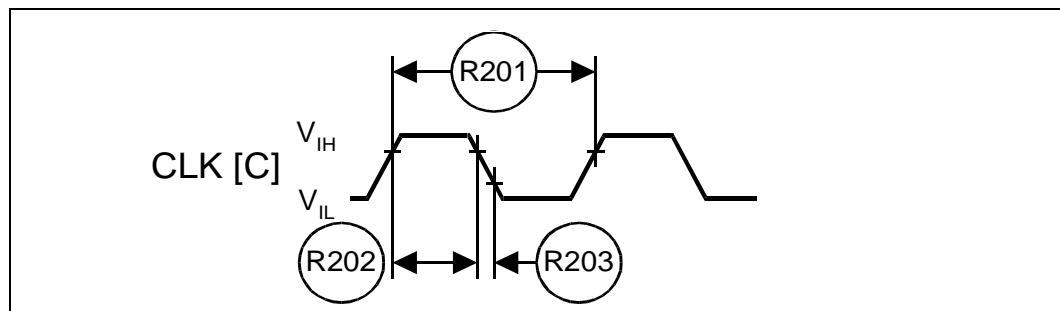
NOTES:

1. See the following table for component values.
2. Test configuration component value for worst case speed conditions.
3. C_L includes jig capacitance

Table 14. Test configuration component value for worst case speed conditions

Test Configuration	C_L (pF)
V_{CCQMin} Standard Test	30

Figure 15. Clock Input AC Waveform



7.2 Capacitance

Table 15. Capacitance

Symbol	Parameter	Signals	Min	Typ	Max	Unit	Condition	Note
C _{IN}	Input Capacitance	Address, Data, CE#, WE#, OE#, RST#, CLK, ADV#, WP#	2	6	7	pF	Typ temp = 25 °C, Max temp = 85 °C, V _{CC} = V _{CCQ} = (0 V - 1.95 V), Discrete silicon die	1,2,3
C _{OUT}	Output Capacitance	Data, WAIT	2	4	5	pF		

NOTES:

1. Capacitance values are for a single die; for 2-die and 4-die stacks multiple the above values by the number of die in the stack.
2. Sampled, not 100% tested.
3. Silicon die capacitance only, add 1 pF for discrete packages.

7.3 AC Read Specifications

Table 16. AC Read Specifications for 64/128-Mbit Densities (Sheet 1 of 2)

Num	Symbol	Parameter	Min	Max	Unit	Notes
Asynchronous Specifications						
R1	t_{AVAV}	Read cycle time	85	-	ns	
R2	t_{AVQV}	Address to output valid	-	85	ns	
R3	t_{ELQV}	CE# low to output valid	-	85	ns	
R4	t_{GLQV}	OE# low to output valid	-	25	ns	1,2
R5	t_{PHQV}	RST# high to output valid	-	150	ns	1
R6	t_{ELQX}	CE# low to output in low-Z	0	-	ns	1,3
R7	t_{GLQX}	OE# low to output in low-Z	0	-	ns	1,2,3
R8	t_{EHQZ}	CE# high to output in high-Z	-	24	ns	1,3
R9	t_{GHQZ}	OE# high to output in high-Z	-	24	ns	
R10	t_{OH}	Output hold from first occurring address, CE#, or OE# change	0	-	ns	
R11	t_{EHEL}	CE# pulse width high	20	-	ns	1
R12	t_{ELTV}	CE# low to WAIT valid	-	17	ns	
R13	t_{EHTZ}	CE# high to WAIT high-Z	-	20	ns	1,3
R15	t_{GLTV}	OE# low to WAIT valid	-	17	ns	1
R16	t_{GLTX}	OE# low to WAIT in low-Z	0	-	ns	1,3
R17	t_{GHTZ}	OE# high to WAIT in high-Z	-	20	ns	
Latching Specifications						
R101	t_{AVVH}	Address setup to ADV# high	10	-	ns	1
R102	t_{ELVH}	CE# low to ADV# high	10	-	ns	
R103	t_{VLQV}	ADV# low to output valid	-	85	ns	
R104	t_{VLVH}	ADV# pulse width low	10	-	ns	
R105	t_{VHVL}	ADV# pulse width high	10	-	ns	
R106	t_{VHAX}	Address hold from ADV# high	9	-	ns	1,4
R108	t_{APA}	Page address access	-	25	ns	1
R111	t_{phvh}	RST# high to ADV# high	30	-	ns	
Clock Specifications						
R200	f_{CLK}	CLK frequency	-	40	MHz	1,3,6
R201	t_{CLK}	CLK period	25	-	ns	
R202	$t_{CH/CL}$	CLK high/low time	5	-	ns	
R203	$t_{FCLK/RCLK}$	CLK fall/rise time	-	3	ns	
Synchronous Specifications						
R301	$t_{AVCH/L}$	Address setup to CLK	9	-	ns	1
R302	$t_{VLCH/L}$	ADV# low setup to CLK	9	-	ns	
R303	$t_{ELCH/L}$	CE# low setup to CLK	9	-	ns	
R304	t_{CHQV} / t_{CLOV}	CLK to output valid	-	20	ns	

Table 16. AC Read Specifications for 64/128-Mbit Densities (Sheet 2 of 2)

Num	Symbol	Parameter	Min	Max	Unit	Notes
R305	t_{CHQX}	Output hold from CLK	3	-	ns	1,5
R306	t_{CHAX}	Address hold from CLK	10	-	ns	1,4,5
R307	t_{CHTV}	CLK to WAIT valid	-	20	ns	1,5
R311	t_{CHVL}	CLK Valid to ADV# Setup	3	-	ns	1
R312	t_{CHTX}	WAIT Hold from CLK	3	-	ns	1,5

NOTES:

1. See Figure 13, "AC Input/Output Reference Waveform" on page 33 for timing measurements and max allowable input slew rate.
2. OE# may be delayed by up to $t_{ELQV} - t_{GLQV}$ after CE#'s falling edge without impact to t_{ELQV} .
3. Sampled, not 100% tested.
4. Address hold in synchronous burst mode is t_{CHAX} or t_{VHAX} , whichever timing specification is satisfied first.
5. Applies only to subsequent synchronous reads.
6. See your local Intel representative for designs requiring higher than 40 MHz synchronous operation.

Table 17. AC Read Specifications for 256/512-Mbit and 1-Gbit Densities (Sheet 1 of 2)

Num	Symbol	Parameter	Speed	Min	Max	Unit	Notes
Asynchronous Specifications							
R1	t_{AVAV}	Read cycle time	$V_{CC} = 1.8\text{ V} - 2.0\text{ V}$	85	-	ns	
			$V_{CC} = 1.7\text{ V} - 2.0\text{ V}$	88	-		
R2	t_{AVQV}	Address to output valid	$V_{CC} = 1.8\text{ V} - 2.0\text{ V}$	-	85	ns	
			$V_{CC} = 1.7\text{ V} - 2.0\text{ V}$	-	88		
R3	t_{ELQV}	CE# low to output valid	$V_{CC} = 1.8\text{ V} - 2.0\text{ V}$	-	85	ns	
			$V_{CC} = 1.7\text{ V} - 2.0\text{ V}$	-	88		
R4	t_{GLQV}	OE# low to output valid		-	25	ns	1,2
R5	t_{PHQV}	RST# high to output valid		-	150	ns	1
R6	t_{ELQX}	CE# low to output in low-Z		0	-	ns	1,3
R7	t_{GLQX}	OE# low to output in low-Z		0	-	ns	1,2,3
R8	t_{EHQZ}	CE# high to output in high-Z		-	24	ns	1,3
R9	t_{GHQZ}	OE# high to output in high-Z		-	24	ns	
R10	t_{OH}	Output hold from first occurring address, CE#, or OE# change		0	-	ns	1
R11	t_{EHEL}	CE# pulse width high		20	-	ns	
R12	t_{ELTV}	CE# low to WAIT valid		-	17	ns	1,3
R13	t_{EHTZ}	CE# high to WAIT high-Z		-	20	ns	
R15	t_{GLTV}	OE# low to WAIT valid		-	17	ns	1
R16	t_{GLTX}	OE# low to WAIT in low-Z		0	-	ns	1,3
R17	t_{GHTZ}	OE# high to WAIT in high-Z		-	20	ns	
Latching Specifications							

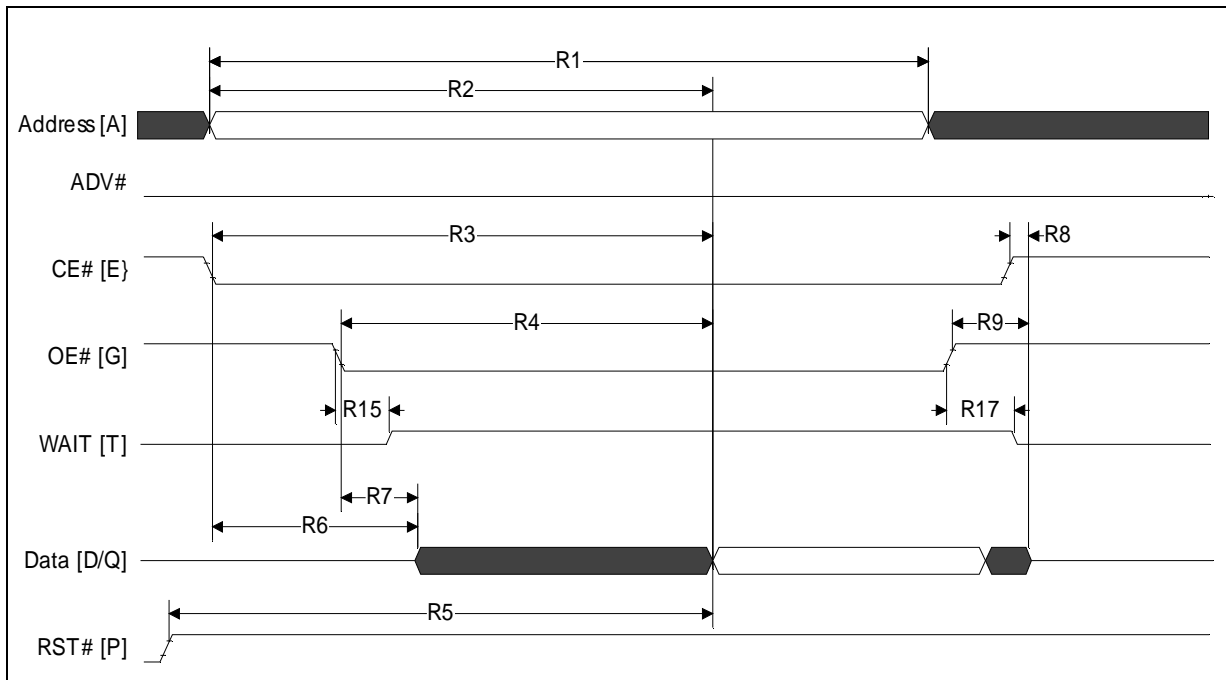
Table 17. AC Read Specifications for 256/512-Mbit and 1-Gbit Densities (Sheet 2 of 2)

Num	Symbol	Parameter	Speed	Min	Max	Unit	Notes
R101	t_{AVVH}	Address setup to ADV# high		10	-	ns	1
R102	t_{ELVH}	CE# low to ADV# high		10	-	ns	
R103	t_{VLQV}	ADV# low to output valid	$V_{CC} = 1.8\text{ V} - 2.0\text{ V}$	-	85	ns	
			$V_{CC} = 1.7\text{ V} - 2.0\text{ V}$	-	88		
R104	t_{VLVH}	ADV# pulse width low		10	-	ns	
R105	t_{VHVL}	ADV# pulse width high		10	-	ns	
R106	t_{VHAX}	Address hold from ADV# high		9	-	ns	1,4
R108	t_{APA}	Page address access		-	25	ns	1
R111	t_{phvh}	RST# high to ADV# high		30	-	ns	
Clock Specifications							
R200	f_{CLK}	CLK frequency		-	40	MHz	1,3,6
R201	t_{CLK}	CLK period		25	-	ns	
R202	$t_{CH/CL}$	CLK high/low time		5	-	ns	
R203	$t_{FCLK/RCLK}$	CLK fall/rise time		-	3	ns	
Synchronous Specifications							
R301	$t_{AVCH/L}$	Address setup to CLK		9	-	ns	1
R302	$t_{VLCH/L}$	ADV# low setup to CLK		9	-	ns	
R303	$t_{ELCH/L}$	CE# low setup to CLK		9	-	ns	
R304	t_{CHQV} / t_{CLQV}	CLK to output valid		-	20	ns	
R305	t_{CHQX}	Output hold from CLK		3	-	ns	1,5
R306	t_{CHAX}	Address hold from CLK		10	-	ns	1,4,5
R307	t_{CHTV}	CLK to WAIT valid		-	20	ns	1,5
R311	t_{CHVL}	CLK Valid to ADV# Setup		3	-	ns	1
R312	t_{CHTX}	WAIT Hold from CLK		3	-	ns	1,5

NOTES:

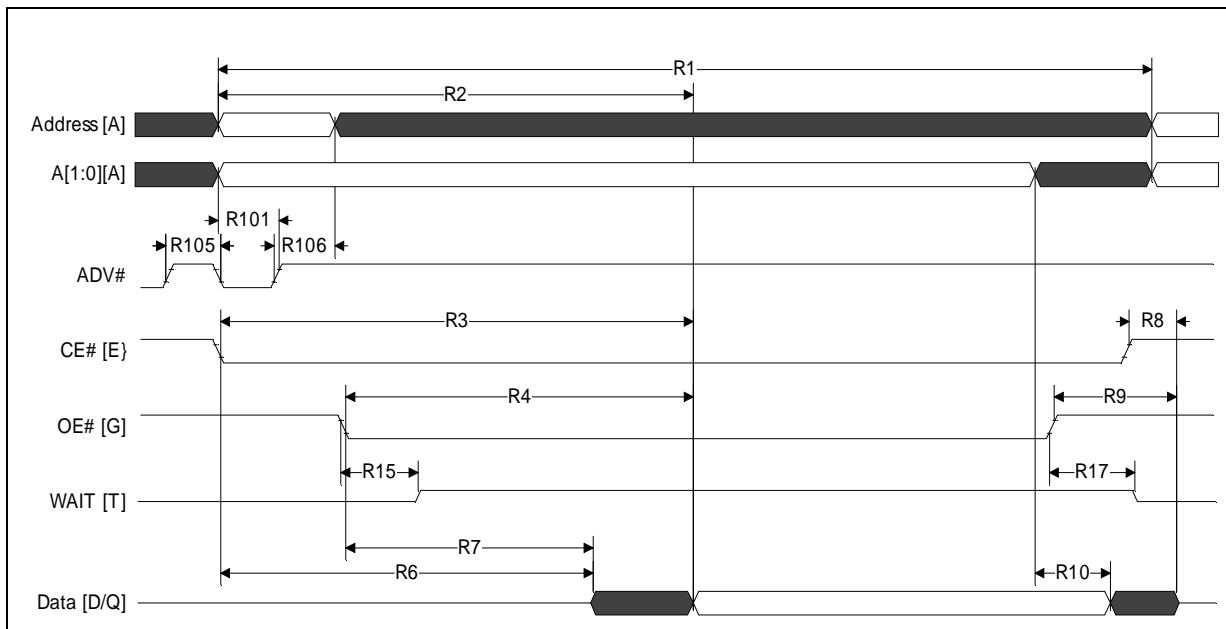
- See Figure 13, "AC Input/Output Reference Waveform" on page 33 for timing measurements and max allowable input slew rate.
- OE# may be delayed by up to $t_{ELQV} - t_{GLQV}$ after CE#'s falling edge without impact to t_{ELQV} .
- Sampled, not 100% tested.
- Address hold in synchronous burst mode is t_{CHAX} or t_{VHAX} , whichever timing specification is satisfied first.
- Applies only to subsequent synchronous reads.
- See your local Intel representative for designs requiring higher than 40 MHz synchronous operation.

Figure 16. Asynchronous Single-Word Read (ADV# Low)



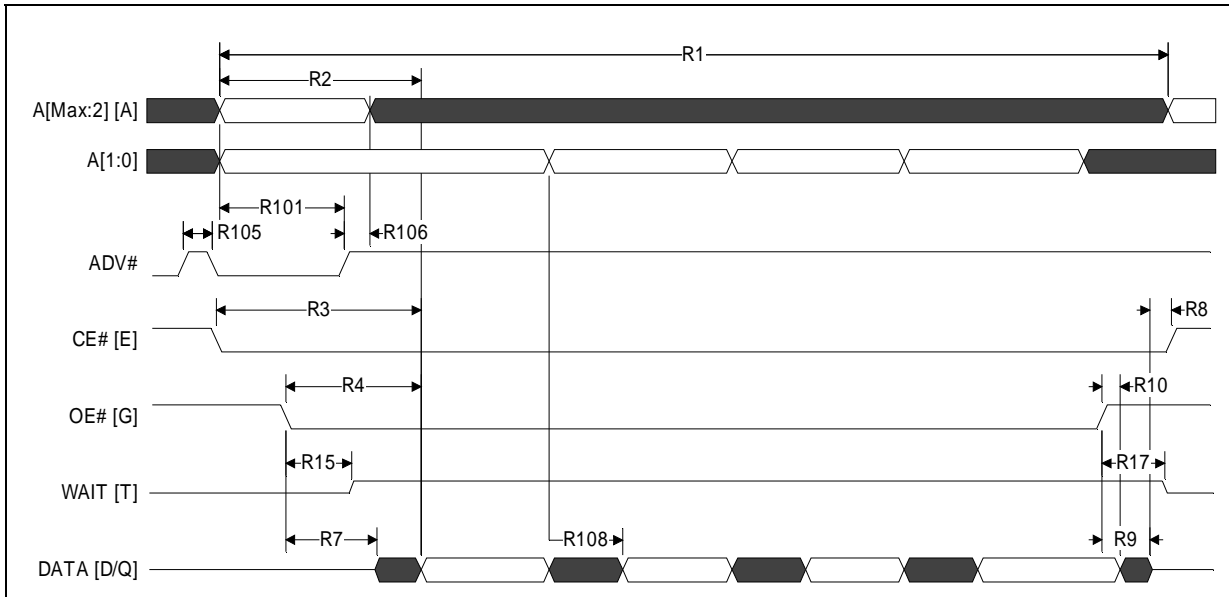
Note: WAIT shown deasserted during asynchronous read mode (RCR[10]=0, Wait asserted low).

Figure 17. Asynchronous Single-Word Read (ADV# Latch)



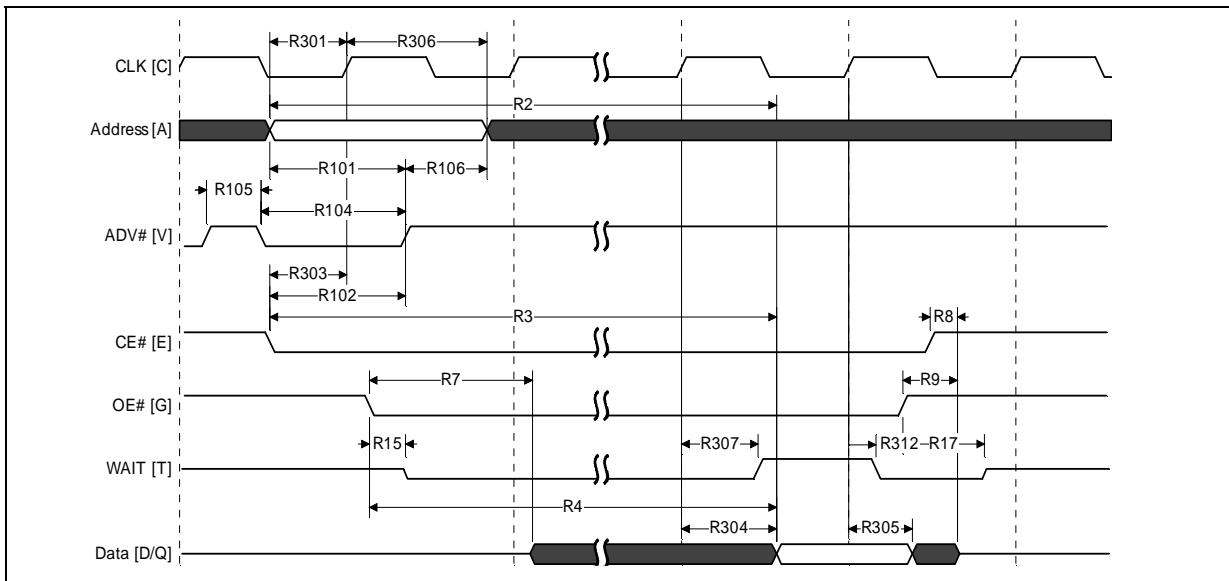
Note: WAIT shown deasserted during asynchronous read mode (RCR[10]=0, Wait asserted low).

Figure 18. Asynchronous Page-Mode Read Timing



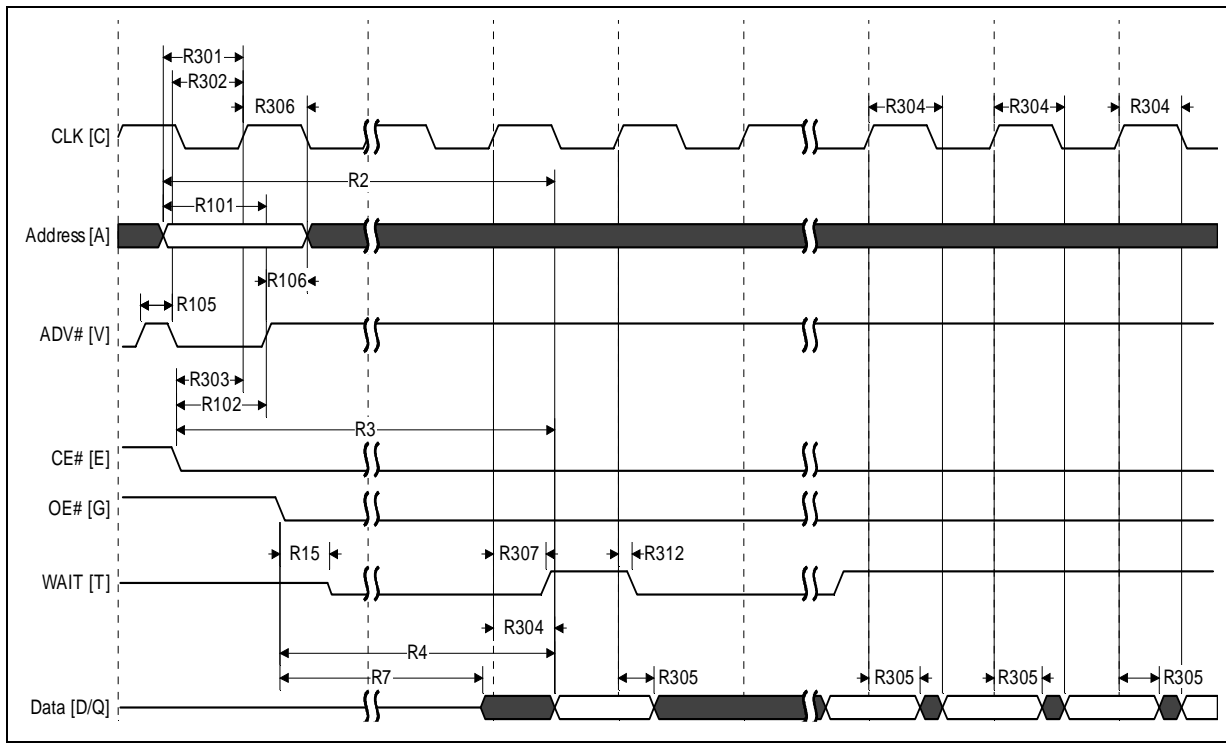
Note: WAIT shown deasserted during asynchronous read mode (RCR[10]=0, Wait asserted low).

Figure 19. Synchronous Single-Word Array or Non-array Read Timing



1. WAIT is driven per OE# assertion during synchronous array or non-array read, and can be configured to assert either during or one data cycle before valid data.
2. This diagram illustrates the case in which an n-word burst is initiated to the flash memory array and it is terminated by CE# deassertion after the first word in the burst.

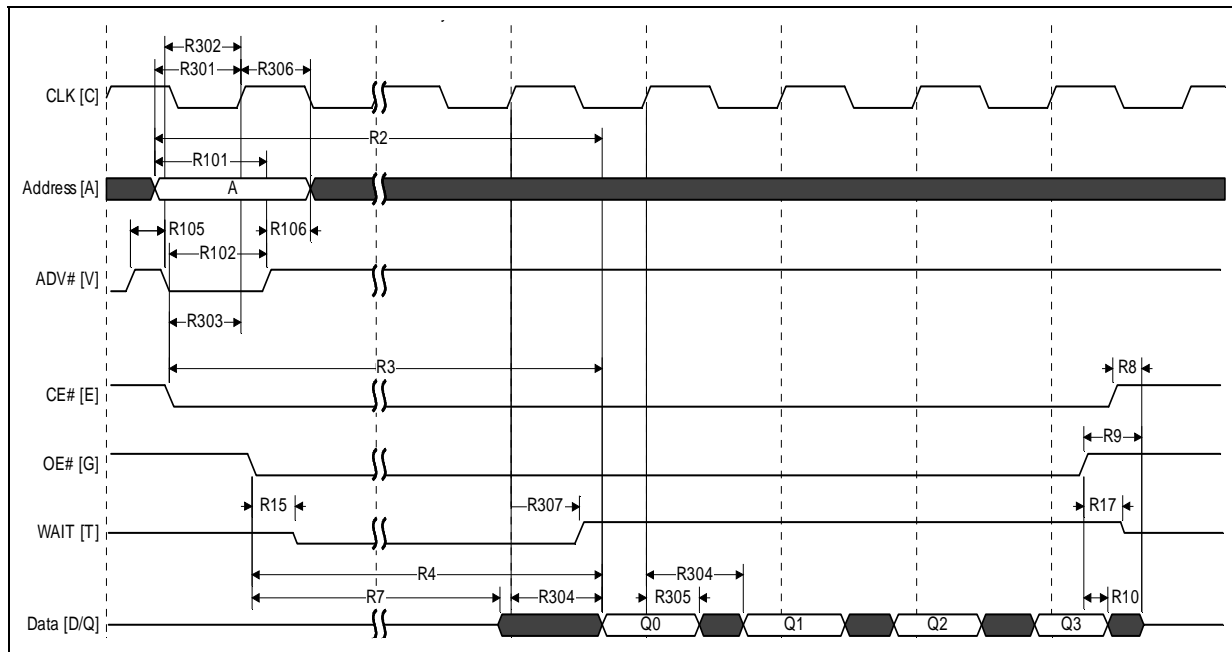
Figure 20. Continuous Burst Read, showing an Output Delay Timing



Notes:

1. WAIT is driven per OE# assertion during synchronous array or non-array read, and can be configured to assert either during or one data cycle before valid data.
2. At the end of Word Line; the delay incurred when a burst access crosses a 16-word boundary and the starting address is not 4-word boundary aligned.

Figure 21. Synchronous Burst-Mode Four-Word Read Timing



Note: WAIT is driven per OE# assertion during synchronous array or non-array read. WAIT asserted during initial latency and deasserted during valid data (RCR[10] = 0, Wait asserted low).

7.4 AC Write Specifications

Table 18. AC Write Specifications (Sheet 1 of 2)

Num	Symbol	Parameter	Min	Max	Units	Notes
W1	t_{PHWL}	RST# high recovery to WE# low	150	-	ns	1,2,3
W2	t_{ELWL}	CE# setup to WE# low	0	-	ns	1,2,3
W3	t_{WLWH}	WE# write pulse width low	50	-	ns	1,2,4
W4	t_{DVWH}	Data setup to WE# high	50	-	ns	1,2
W5	t_{AVWH}	Address setup to WE# high	50	-	ns	
W6	t_{WHEH}	CE# hold from WE# high	0	-	ns	
W7	t_{WHDX}	Data hold from WE# high	0	-	ns	
W8	t_{WHAX}	Address hold from WE# high	0	-	ns	
W9	t_{WHWL}	WE# pulse width high	20	-	ns	1,2,5
W10	t_{VPWH}	V_{PP} setup to WE# high	200	-	ns	1,2,3,7
W11	t_{QVVL}	V_{PP} hold from Status read	0	-	ns	
W12	t_{QVBL}	WP# hold from Status read	0	-	ns	1,2,3,7
W13	t_{BHWH}	WP# setup to WE# high	200	-	ns	

Table 18. AC Write Specifications (Sheet 2 of 2)

Num	Symbol	Parameter	Min	Max	Units	Notes
W14	t_{WHGL}	WE# high to OE# low	0	-	ns	1,2,9
W16	t_{WHQV}	WE# high to read valid	$t_{AVQV} + 35$	-	ns	1,2,3,6,10
Write to Asynchronous Read Specifications						
W18	t_{WHAV}	WE# high to Address valid	0	-	ns	1,2,3,6,8
Write to Synchronous Read Specifications						
W19	t_{WHCHL}	WE# high to Clock valid	19	-	ns	1,2,3,6,10
W20	t_{WHVH}	WE# high to ADV# high	19	-	ns	
Write Specifications with Clock Active						
W21	t_{VHWL}	ADV# high to WE# low	-	20	ns	1,2,3,11
W22	t_{CHWL}	Clock high to WE# low	-	20	ns	

Notes:

1. Write timing characteristics during erase suspend are the same as write-only operations.
2. A write operation can be terminated with either CE# or WE#.
3. Sampled, not 100% tested.
4. Write pulse width low (t_{WLWH} or t_{ELEH}) is defined from CE# or WE# low (whichever occurs last) to CE# or WE# high (whichever occurs first). Hence, $t_{WLWH} = t_{ELEH} = t_{WLEH} = t_{ELWH}$.
5. Write pulse width high (t_{VHWL} or t_{EHEL}) is defined from CE# or WE# high (whichever occurs first) to CE# or WE# low (whichever occurs last). Hence, $t_{VHWL} = t_{EHEL} = t_{VHEL} = t_{EHWL}$.
6. t_{WHVH} or t_{WHCHL} must be met when transitioning from a write cycle to a synchronous burst read.
7. V_{PP} and WP# should be at a valid level until erase or program success is determined.
8. This specification is only applicable when transitioning from a write cycle to an asynchronous read. See spec W19 and W20 for synchronous read.
9. When doing a Read Status operation following any command that alters the Status Register, W14 is 20 ns.
10. Add 10 ns if the write operations results in a RCR or block lock status change, for the subsequent read operation to reflect this change.
11. These specs are required only when the device is in a synchronous mode and clock is active during address setup phase.

Figure 22. Write-to-Write Timing

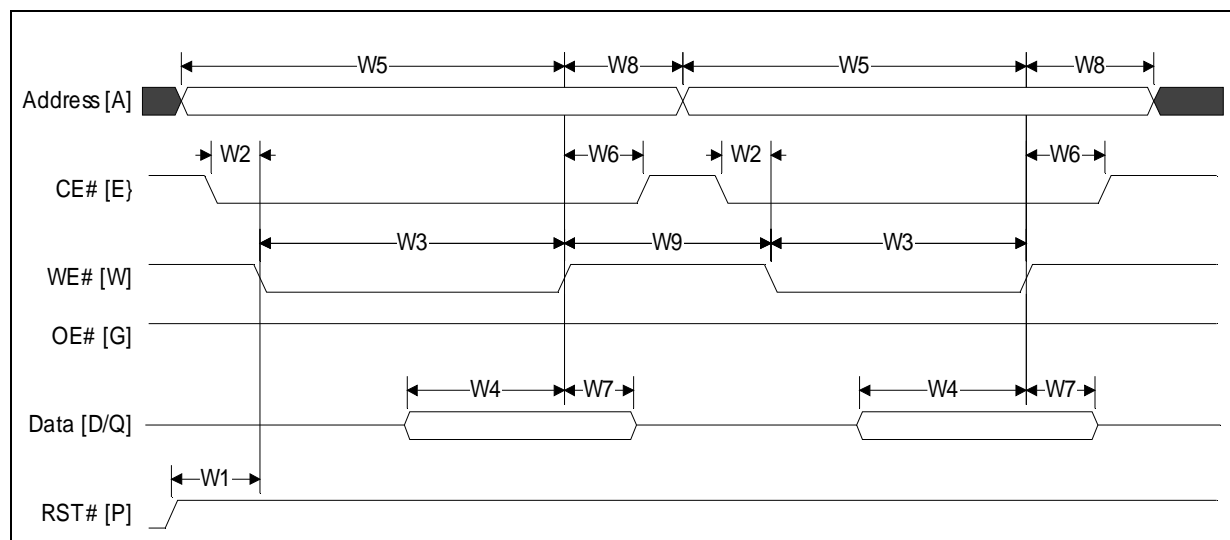
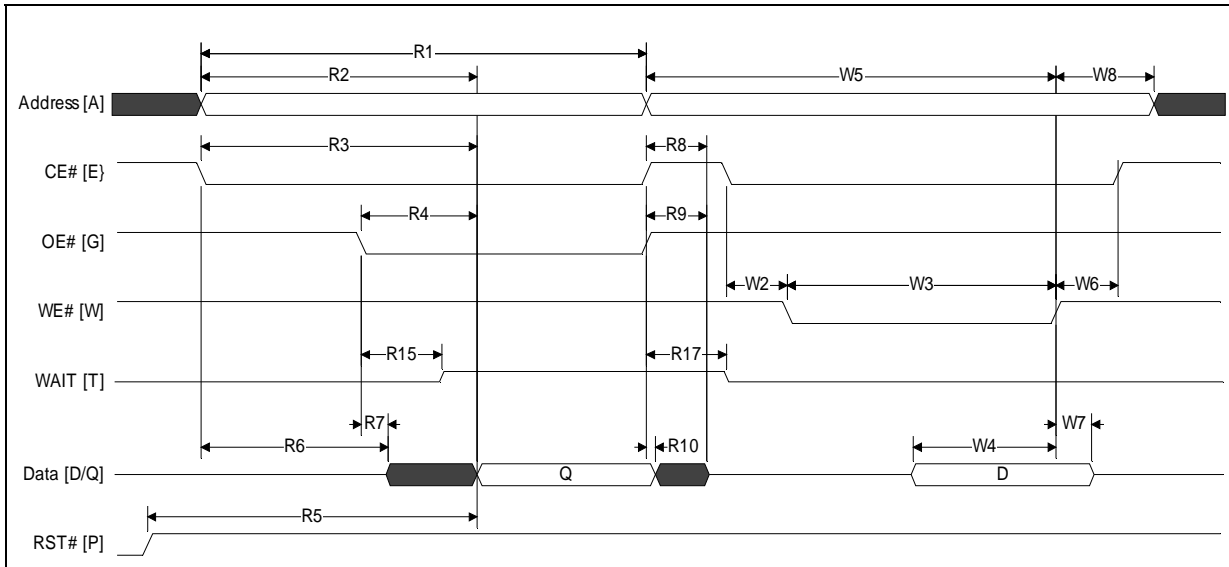


Figure 23. Asynchronous Read-to-Write Timing



Note: WAIT deasserted during asynchronous read and during write. WAIT High-Z during write per OE# deasserted.

Figure 24. Write-to-Asynchronous Read Timing

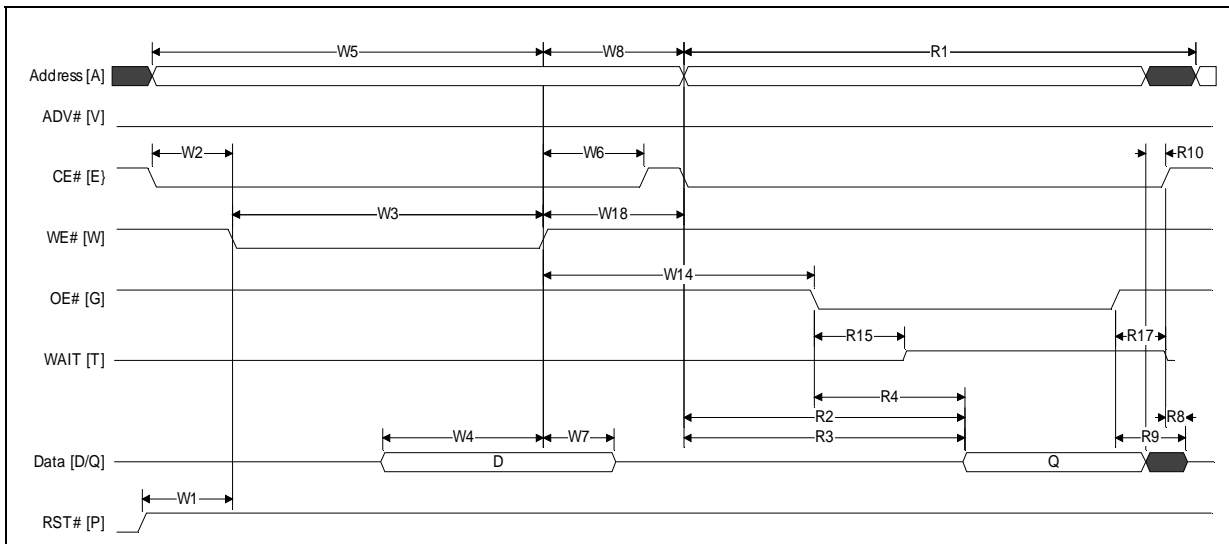
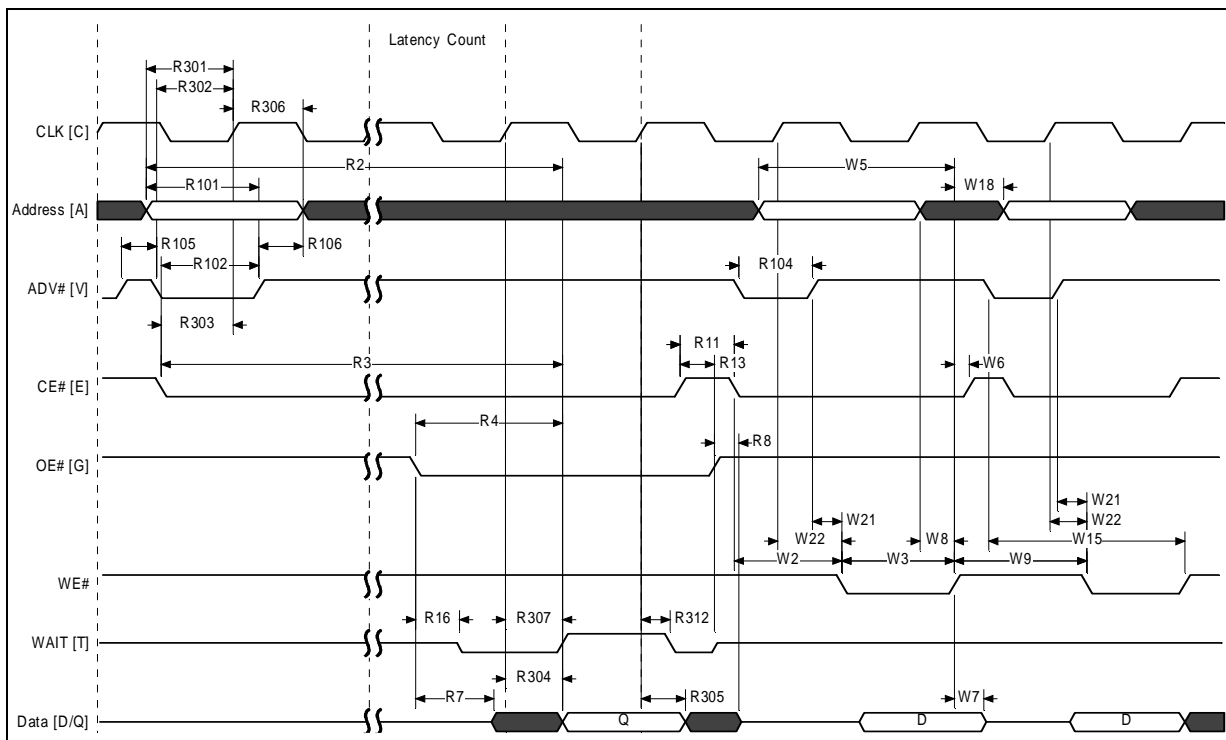
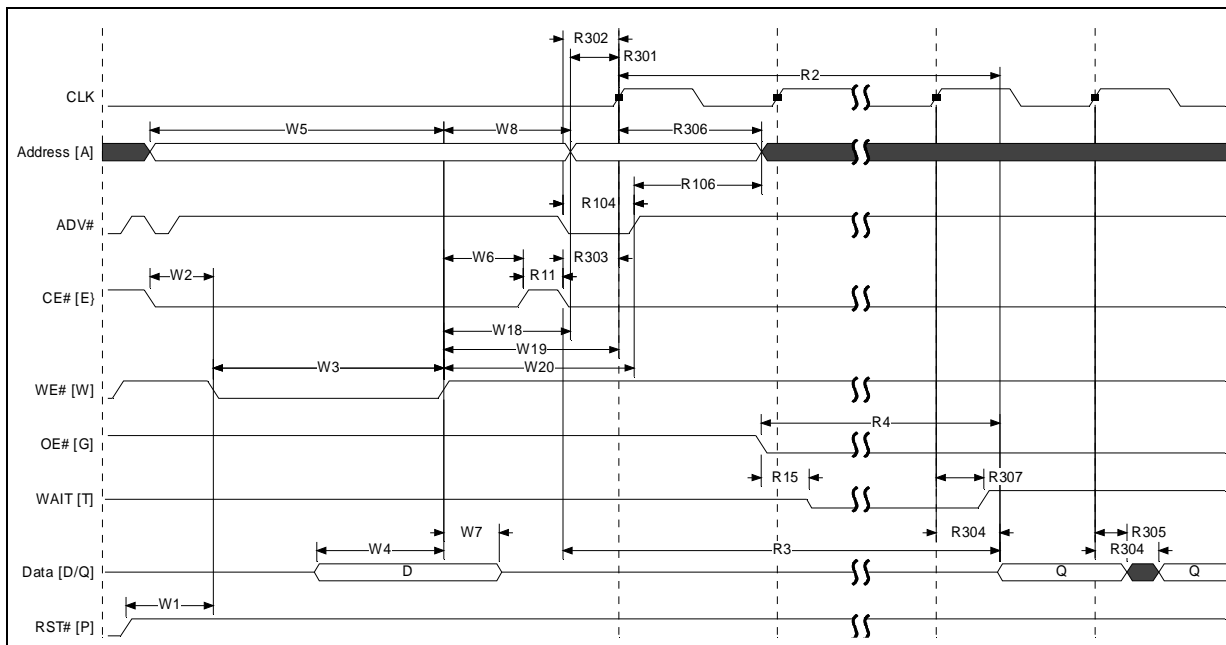


Figure 25. Synchronous Read-to-Write Timing



Note: WAIT shown deasserted and High-Z per OE# deassertion during write operation (RCR[10]=0, Wait asserted low). Clock is ignored during write operation.

Figure 26. Write-to-Synchronous Read Timing



Note: WAIT shown deasserted and High-Z per OE# deassertion during write operation (RCR[10]=0, Wait asserted low).

7.5 Program and Erase Characteristics

Num	Symbol	Parameter	V _{PPL}			V _{PPH}			Units	Notes	
			Min	Typ	Max	Min	Typ	Max			
Conventional Word Programming											
W200	t _{PROG/W}	Program Time	Single word	-	90	200	-	85	190	μs	1
			Single cell	-	30	60	-	30	60		
Buffered Programming											
W200	t _{PROG/W}	Program Time	Single word	-	90	200	-	85	190	μs	1
W251	t _{BUFF}		32-word buffer	-	440	880	-	340	680		
Buffered Enhanced Factory Programming											
W451	t _{BEFP/W}	Program	Single word	n/a	n/a	n/a	-	10	-	μs	1,2
W452	t _{BEFP/Setup}		BEFP Setup	n/a	n/a	n/a	5	-	-		1
Erasing and Suspending											
W500	t _{ERS/PB}	Erase Time	32-KByte Parameter	-	0.4	2.5	-	0.4	2.5	s	1
W501	t _{ERS/MB}		128-KByte Main	-	1.2	4.0	-	1.0	4.0		
W600	t _{SUSP/P}	Suspend Latency	Program suspend	-	20	25	-	20	25	μs	
W601	t _{SUSP/E}		Erase suspend	-	20	25	-	20	25		

Notes:

1. Typical values measured at T_C = +25 °C and nominal voltages. Performance numbers are valid for all speed versions. Excludes system overhead. Sampled, but not 100% tested.
2. Averaged over entire device.

8.0 Power and Reset Specifications

8.1 Power Up and Down

Power supply sequencing is not required if VCC, VCCQ, and VPP are connected together; If VCCQ and/or VPP are not connected to the VCC supply, then VCC should attain VCCMIN before applying VCCQ and VPP. Device inputs should not be driven before supply voltage equals VCCMIN.

Power supply transitions should only occur when RST# is low. This protects the device from accidental programming or erasure during power transitions.

8.2 Reset Specifications

Asserting RST# during a system reset is important with automated program/erase devices because systems typically expect to read from flash memory when coming out of reset. If a CPU reset occurs without a flash memory reset, proper CPU initialization may not occur. This is because the flash memory may be providing status information, instead of array data as expected. Connect RST# to the same active low reset signal used for CPU initialization.

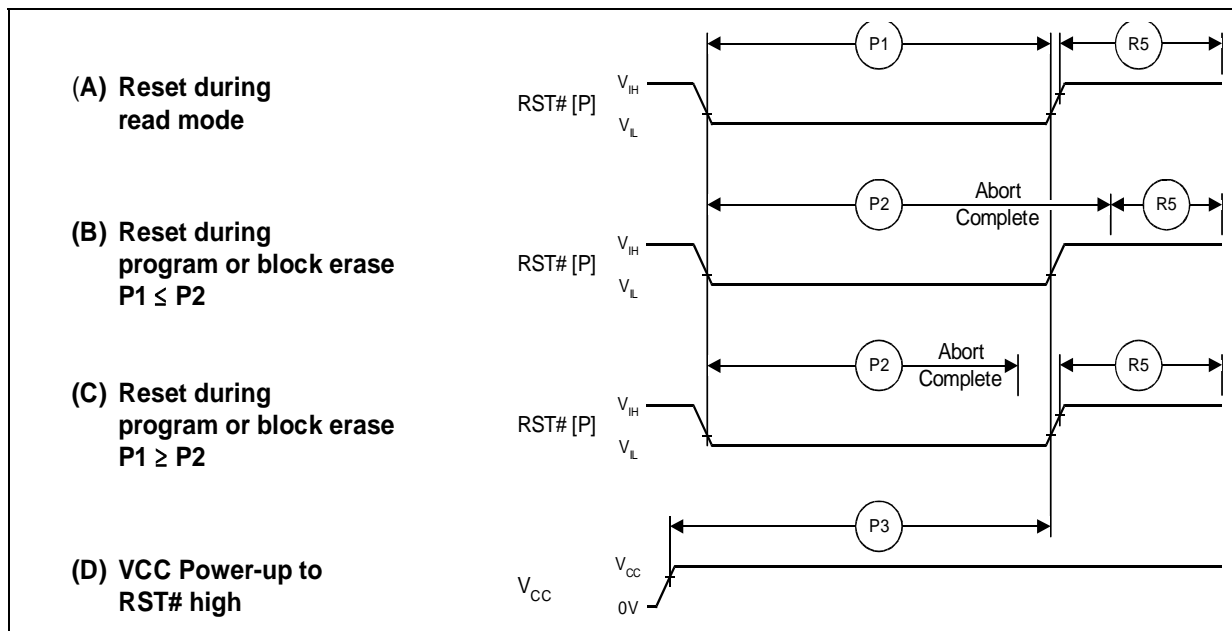
Also, because the device is disabled when RST# is asserted, it ignores its control inputs during power-up/down. Invalid bus conditions are masked, providing a level of memory protection.

Num	Symbol	Parameter	Min	Max	Unit	Notes
P1	t _{PLPH}	RST# pulse width low	100	-	ns	1,2,3,4
P2	t _{PLRH}	RST# low to device reset during erase	-	25	μs	1,3,4,7
		RST# low to device reset during program	-	25		1,3,4,7
P3	t _{VCCPH}	VCC Power valid to RST# de-assertion (high)	60	-		1,4,5,6

Notes:

- These specifications are valid for all device versions (packages and speeds).
- The device may reset if t_{PLPH} is < t_{PLPH} MIN, but this is not guaranteed.
- Not applicable if RST# is tied to Vcc.
- Sampled, but not 100% tested.
- If RST# is tied to the VCC supply, device will not be ready until t_{VCCPH} after VCC ≥ VCCMIN.
- If RST# is tied to any supply/signal with VCCQ voltage levels, the RST# input voltage must not exceed VCC until VCC ≥ VCCMIN.
- Reset completes within t_{PLPH} if RST# is asserted while no erase or program operation is executing.

Figure 27. Reset Operation Waveforms



8.3 Power Supply Decoupling

Flash memory devices require careful power supply de-coupling. Three basic power supply current considerations are: 1) standby current levels; 2) active current levels; and 3) transient peaks produced when CE# and OE# are asserted and deasserted.

When the device is accessed, many internal conditions change. Circuits within the device enable charge-pumps, and internal logic states change at high speed. All of these internal activities produce transient signals. Transient current magnitudes depend on the device outputs' capacitive and inductive loading. Two-line control and correct de-coupling capacitor selection suppress transient voltage peaks.

Because Intel® Multi-Level Cell (MLC) flash memory devices draw their power from VCC, VPP, and VCCQ, each power connection should have a 0.1 μF ceramic capacitor to ground. High-frequency, inherently low-inductance capacitors should be placed as close as possible to package leads.

Additionally, for every eight devices used in the system, a 4.7 μF electrolytic capacitor should be placed between power and ground close to the devices. The bulk capacitor is meant to overcome voltage droop caused by PCB trace inductance.

9.0 Device Operations

This section provides an overview of device operations. The system CPU provides control of all in-system read, write, and erase operations of the device via the system bus. The on-chip Write State Machine (WSM) manages all block-erase and word-program algorithms.

Device commands are written to the Command User Interface (CUI) to control all flash memory device operations. The CUI does not occupy an addressable memory location; it is the mechanism through which the flash device is controlled.

9.1 Bus Operations

CE# low and RST# high enable device read operations. The device internally decodes upper address inputs to determine the accessed block. ADV# low opens the internal address latches. OE# low activates the outputs and gates selected data onto the I/O bus.

In asynchronous mode, the address is latched when ADV# goes high or continuously flows through if ADV# is held low. In synchronous mode, the address is latched by the first of either the rising ADV# edge or the next valid CLK edge with ADV# low (WE# and RST# must be V_{IH} ; CE# must be V_{IL}).

Bus cycles to/from the P30 device conform to standard microprocessor bus operations. [Table 19](#) summarizes the bus operations and the logic levels that must be applied to the device control signal inputs.

Table 19. Bus Operations Summary

Bus Operation		RST#	CLK	ADV#	CE#	OE#	WE#	WAIT	DQ[15:0]	Notes
Read	Asynchronous	V_{IH}	X	L	L	L	H	Deasserted	Output	
	Synchronous	V_{IH}	Running	L	L	L	H	Driven	Output	
Write		V_{IH}	X	L	L	H	L	High-Z	Input	1
Output Disable		V_{IH}	X	X	L	H	H	High-Z	High-Z	2
Standby		V_{IH}	X	X	H	X	X	High-Z	High-Z	2
Reset		V_{IL}	X	X	X	X	X	High-Z	High-Z	2,3

Notes:

1. Refer to the [Table 20, “Command Bus Cycles” on page 50](#) for valid DQ[15:0] during a write operation.
2. X = Don't Care (H or L).
3. RST# must be at $V_{SS} \pm 0.2$ V to meet the maximum specified power-down current.

9.1.1 Reads

To perform a read operation, RST# and WE# must be deasserted while CE# and OE# are asserted. CE# is the device-select control. When asserted, it enables the flash memory device. OE# is the data-output control. When asserted, the addressed flash memory data is driven onto the I/O bus. See [Section 10.0, “Read Operations” on page 53](#) for details on the available read modes, and see [Section 14.0, “Special Read States” on page 75](#) for details regarding the available read states.

9.1.2 Writes

To perform a write operation, both CE# and WE# are asserted while RST# and OE# are deasserted. During a write operation, address and data are latched on the rising edge of WE# or CE#, whichever occurs first. Table 20, “Command Bus Cycles” on page 50 shows the bus cycle sequence for each of the supported device commands, while Table 21, “Command Codes and Definitions” on page 51 describes each command. See Section 7.0, “AC Characteristics” on page 33 for signal-timing details.

Note: Write operations with invalid V_{CC} and/or V_{PP} voltages can produce spurious results and should not be attempted.

9.1.3 Output Disable

When OE# is deasserted, device outputs DQ[15:0] are disabled and placed in a high-impedance (High-Z) state, WAIT is also placed in High-Z.

9.1.4 Standby

When CE# is deasserted the device is deselected and placed in standby, substantially reducing power consumption. In standby, the data outputs are placed in High-Z, independent of the level placed on OE#. Standby current, I_{CCS}, is the average current measured over any 5 ms time interval, 5 μs after CE# is deasserted. During standby, average current is measured over the same time interval 5 μs after CE# is deasserted.

When the device is deselected (while CE# is deasserted) during a program or erase operation, it continues to consume active power until the program or erase operation is completed.

9.1.5 Reset

As with any automated device, it is important to assert RST# when the system is reset. When the system comes out of reset, the system processor attempts to read from the flash memory if it is the system boot device. If a CPU reset occurs with no flash memory reset, improper CPU initialization may occur because the flash memory may be providing status information rather than array data. Flash memory devices from Intel allow proper CPU initialization following a system reset through the use of the RST# input. RST# should be controlled by the same low-true reset signal that resets the system CPU.

After initial power-up or reset, the device defaults to asynchronous Read Array, and the Status Register is set to 0x80. Asserting RST# de-energizes all internal circuits, and places the output drivers in High-Z. When RST# is asserted, the device shuts down the operation in progress, a process which takes a minimum amount of time to complete. When RST# has been deasserted, the device is reset to asynchronous Read Array state.

Note: If RST# is asserted during a program or erase operation, the operation is terminated and the memory contents at the aborted location (for a program) or block (for an erase) are no longer valid, because the data may have been only partially written or erased.

When returning from a reset (RST# deasserted), a minimum wait is required before the initial read access outputs valid data. Also, a minimum delay is required after a reset before a write cycle can be initiated. After this wake-up interval passes, normal operation is restored. See Section 7.0, “AC Characteristics” on page 33 for details about signal-timing.

9.2 Device Commands

Device operations are initiated by writing specific device commands to the Command User Interface (CUI). See Table 20, “Command Bus Cycles” on page 50. Several commands are used to modify array data including Word Program and Block Erase commands. Writing either command to the CUI initiates a sequence of internally-timed functions that culminate in the completion of the requested task. However, the operation can be aborted by either asserting RST# or by issuing an appropriate suspend command.

Table 20. Command Bus Cycles (Sheet 1 of 2)

Mode	Command	Bus Cycles	First Bus Cycle			Second Bus Cycle		
			Oper	Addr ⁽¹⁾	Data ⁽²⁾	Oper	Addr ⁽¹⁾	Data ⁽²⁾
Read	Read Array	1	Write	DBA	0xFF	-	-	-
	Read Device Identifier	≥ 2	Write	DBA	0x90	Read	DBA + IA	ID
	CFI Query	≥ 2	Write	DBA	0x98	Read	DBA + QA	QD
	Read Status Register	2	Write	DBA	0x70	Read	DBA	SRD
	Clear Status Register	1	Write	DBA	0x50	-	-	-
Program	Word Program	2	Write	WA	0x40/ 0x10	Write	WA	WD
	Buffered Program ⁽³⁾	> 2	Write	WA	0xE8	Write	WA	N - 1
	Buffered Enhanced Factory Program (BEFP) ⁽⁴⁾	> 2	Write	WA	0x80	Write	WA	0xD0
Erase	Block Erase	2	Write	BA	0x20	Write	BA	0xD0
Suspend	Program/Erase Suspend	1	Write	DBA	0xB0	-	-	-
	Program/Erase Resume	1	Write	DBA	0xD0	-	-	-
Block Locking/Unlocking	Lock Block	2	Write	BA	0x60	Write	BA	0x01
	Unlock Block	2	Write	BA	0x60	Write	BA	0xD0
	Lock-down Block	2	Write	BA	0x60	Write	BA	0x2F

Table 20. Command Bus Cycles (Sheet 2 of 2)

Mode	Command	Bus Cycles	First Bus Cycle			Second Bus Cycle		
			Oper	Addr ⁽¹⁾	Data ⁽²⁾	Oper	Addr ⁽¹⁾	Data ⁽²⁾
Protection	Program Protection Register	2	Write	PRA	0xC0	Write	PRA	PD
	Program Lock Register	2	Write	LRA	0xC0	Write	LRA	LRD
Configuration	Program Read Configuration Register	2	Write	RCD	0x60	Write	RCD	0x03

Notes:

- First command cycle address should be the same as the operation's target address.
 DBA = Device Base Address (NOTE: needed for 2 or more die stacks)
 IA = Identification code address offset.
 QA = CFI Query address offset.
 WA = Word address of memory location to be written.
 BA = Address within the block.
 PRA = Protection Register address.
 LRA = Lock Register address.
 RCD = Read Configuration Register data on A[15:0].
- ID = Identifier data.
 QD = Query data on DQ[15:0].
 SRD = Status Register data.
 WD = Word data.
 N = Word count of data to be loaded into the write buffer.
 PD = Protection Register data.
 LRD = Lock Register data.
- The second cycle of the Buffered Program Command is the word count of the data to be loaded into the write buffer. This is followed by up to 32 words of data. Then the confirm command (0xD0) is issued, triggering the array programming operation.
- The confirm command (0xD0) is followed by the buffer data.

9.3 Command Definitions

Valid device command codes and descriptions are shown in [Table 21](#).

Table 21. Command Codes and Definitions (Sheet 1 of 2)

Mode	Code	Device Mode	Description
Read	0xFF	Read Array	Places the device in Read Array mode. Array data is output on DQ[15:0].
	0x70	Read Status Register	Places the device in Read Status Register mode. The device enters this mode after a program or erase command is issued. Status Register data is output on DQ[7:0].
	0x90	Read Device ID or Configuration Register	Places device in Read Device Identifier mode. Subsequent reads output manufacturer/device codes, Configuration Register data, Block Lock status, or Protection Register data on DQ[15:0].
	0x98	Read Query	Places the device in Read Query mode. Subsequent reads output Common Flash Interface information on DQ[7:0].
	0x50	Clear Status Register	The WSM can only set Status Register error bits. The Clear Status Register command is used to clear the SR error bits.
Write	0x40	Word Program Setup	First cycle of a 2-cycle programming command; prepares the CUI for a write operation. On the next write cycle, the address and data are latched and the WSM executes the programming algorithm at the addressed location. During program operations, the device responds only to Read Status Register and Program Suspend commands. CE# or OE# must be toggled to update the Status Register in asynchronous read. CE# or ADV# must be toggled to update the Status Register Data for synchronous Non-array reads. The Read Array command must be issued to read array data after programming has finished.

Table 21. Command Codes and Definitions (Sheet 2 of 2)

Mode	Code	Device Mode	Description
Write	0x10	Alternate Word Program Setup	Equivalent to the Word Program Setup command, 0x40.
	0xE8	Buffered Program	This command loads a variable number of words up to the buffer size of 32 words onto the program buffer.
	0xD0	Buffered Program Confirm	The confirm command is issued after the data streaming for writing into the buffer is done. This instructs the WSM to perform the Buffered Program algorithm, writing the data from the buffer to the flash memory array.
	0x80	BEFP Setup	First cycle of a 2-cycle command; initiates Buffered Enhanced Factory Program mode (BEFP). The CUI then waits for the BEFP Confirm command, 0xD0, that initiates the BEFP algorithm. All other commands are ignored when BEFP mode begins.
	0xD0	BEFP Confirm	If the previous command was BEFP Setup (0x80), the CUI latches the address and data, and prepares the device for BEFP mode.
Erase	0x20	Block Erase Setup	First cycle of a 2-cycle command; prepares the CUI for a block-erase operation. The WSM performs the erase algorithm on the block addressed by the Erase Confirm command. If the next command is <i>not</i> the Erase Confirm (0xD0) command, the CUI sets Status Register bits SR[4] and SR[5], and places the device in read status register mode.
	0xD0	Block Erase Confirm	If the first command was Block Erase Setup (0x20), the CUI latches the address and data, and the WSM erases the addressed block. During block-erase operations, the device responds only to Read Status Register and Erase Suspend commands. CE# or OE# must be toggled to update the Status Register in asynchronous read. CE# or ADV# must be toggled to update the Status Register Data for synchronous Non-array reads
Suspend	0xB0	Program or Erase Suspend	This command issued to any device address initiates a suspend of the currently-executing program or block erase operation. The Status Register indicates successful suspend operation by setting either SR[2] (program suspended) or SR[6] (erase suspended), along with SR[7] (ready). The Write State Machine remains in the suspend mode regardless of control signal states (except for RST# asserted).
	0xD0	Suspend Resume	This command issued to any device address resumes the suspended program or block-erase operation.
Block Locking/ Unlocking	0x60	Lock Block Setup	First cycle of a 2-cycle command; prepares the CUI for block lock configuration changes. If the next command is not Block Lock (0x01), Block Unlock (0xD0), or Block Lock-Down (0x2F), the CUI sets Status Register bits SR[4] and SR[5], indicating a command sequence error.
	0x01	Lock Block	If the previous command was Block Lock Setup (0x60), the addressed block is locked.
	0xD0	Unlock Block	If the previous command was Block Lock Setup (0x60), the addressed block is unlocked. If the addressed block is in a lock-down state, the operation has no effect.
	0x2F	Lock-Down Block	If the previous command was Block Lock Setup (0x60), the addressed block is locked down.
Protection	0xC0	Program Protection Register Setup	First cycle of a 2-cycle command; prepares the device for a Protection Register or Lock Register program operation. The second cycle latches the register address and data, and starts the programming algorithm
Configuration	0x60	Read Configuration Register Setup	First cycle of a 2-cycle command; prepares the CUI for device read configuration. If the Set Read Configuration Register command (0x03) is not the next command, the CUI sets Status Register bits SR[4] and SR[5], indicating a command sequence error.
	0x03	Read Configuration Register	If the previous command was Read Configuration Register Setup (0x60), the CUI latches the address and writes A[15:0] to the Read Configuration Register. Following a Configure Read Configuration Register command, subsequent read operations access array data.

10.0 Read Operations

The device supports two read modes: asynchronous page mode and synchronous burst mode. Asynchronous page mode is the default read mode after device power-up or a reset. The Read Configuration Register must be configured to enable synchronous burst reads of the flash memory array (see [Section 10.3, “Read Configuration Register” on page 54](#)).

The device can be in any of four read states: Read Array, Read Identifier, Read Status or Read Query. Upon power-up, or after a reset, the device defaults to Read Array. To change the read state, the appropriate read command must be written to the device (see [Section 9.2, “Device Commands” on page 50](#)). See [Section 14.0, “Special Read States” on page 75](#) for details regarding Read Status, Read ID, and CFI Query modes.

The following sections describe read-mode operations in detail.

10.1 Asynchronous Page-Mode Read

Following a device power-up or reset, asynchronous page mode is the default read mode and the device is set to Read Array. However, to perform array reads after any other device operation (e.g. write operation), the Read Array command must be issued in order to read from the flash memory array.

Note: Asynchronous page-mode reads can only be performed when Read Configuration Register bit RCR[15] is set (see [Section 10.3, “Read Configuration Register” on page 54](#)).

To perform an asynchronous page-mode read, an address is driven onto the Address bus, and CE# and ADV# are asserted. WE# and RST# must already have been deasserted. WAIT is deasserted during asynchronous page mode. ADV# can be driven high to latch the address, or it must be held low throughout the read cycle. CLK is not used for asynchronous page-mode reads, and is ignored. If only asynchronous reads are to be performed, CLK should be tied to a valid V_{IH} level, WAIT signal can be floated and ADV# must be tied to ground. Array data is driven onto DQ[15:0] after an initial access time t_{AVQV} delay. (see [Section 7.0, “AC Characteristics” on page 33](#)).

In asynchronous page mode, four data words are “sensed” simultaneously from the flash memory array and loaded into an internal page buffer. The buffer word corresponding to the initial address on the Address bus is driven onto DQ[15:0] after the initial access delay. The lowest two address bits determine which word of the 4-word page is output from the data buffer at any given time.

10.2 Synchronous Burst-Mode Read

To perform a synchronous burst-read, an initial address is driven onto the Address bus, and CE# and ADV# are asserted. WE# and RST# must already have been deasserted. ADV# is asserted, and then deasserted to latch the address. Alternately, ADV# can remain asserted throughout the burst access, in which case the address is latched on the next valid CLK edge while ADV# is asserted.

During synchronous array and non-array read modes, the first word is output from the data buffer on the next valid CLK edge after the initial access latency delay (see [Section 10.3.2, “Latency Count” on page 55](#)). Subsequent data is output on valid CLK edges following a minimum delay.

However, for a synchronous non-array read, the same word of data will be output on successive clock edges until the burst length requirements are satisfied. Refer to the following waveforms for more detailed information:

- Figure 19, “Synchronous Single-Word Array or Non-array Read Timing” on page 39
- Figure 20, “Continuous Burst Read, showing an Output Delay Timing” on page 40
- Figure 21, “Synchronous Burst-Mode Four-Word Read Timing” on page 41

10.3 Read Configuration Register

The Read Configuration Register (RCR) is used to select the read mode (synchronous or asynchronous), and it defines the synchronous burst characteristics of the device. To modify RCR settings, use the Configure Read Configuration Register command (see Section 9.2, “Device Commands” on page 50).

RCR contents can be examined using the Read Device Identifier command, and then reading from offset 0x05 (see Section 14.2, “Read Device Identifier” on page 76).

The RCR is shown in Table 22. The following sections describe each RCR bit.

Table 22. Read Configuration Register Description (Sheet 1 of 2)

Read Configuration Register (RCR)															
Read Mode	RES	Latency Count			WAIT Polarity	Data Hold	WAIT Delay	Burst Seq	CLK Edge	RES	RES	Burst Wrap	Burst Length		
RM	R	LC[2:0]			WP	DH	WD	BS	CE	R	R	BW	BL[2:0]		
15	14	13	12	11	10	9	8	7	6	5	4	3	2	1	0
Bit	Name				Description										
15	Read Mode (RM)				0 = Synchronous burst-mode read 1 = Asynchronous page-mode read (default)										
14	Reserved (R)				Reserved bits should be cleared (0)										
13:11	Latency Count (LC[2:0])				010 =Code 2 011 =Code 3 100 =Code 4 101 =Code 5 110 =Code 6 111 =Code 7 (default) (Other bit settings are reserved)										
10	Wait Polarity (WP)				0 =WAIT signal is active low 1 =WAIT signal is active high (default)										
9	Data Hold (DH)				0 =Data held for a 1-clock data cycle 1 =Data held for a 2-clock data cycle (default)										
8	Wait Delay (WD)				0 =WAIT deasserted with valid data 1 =WAIT deasserted one data cycle before valid data (default)										
7	Burst Sequence (BS)				0 =Reserved 1 =Linear (default)										
6	Clock Edge (CE)				0 = Falling edge 1 = Rising edge (default)										
5:4	Reserved (R)				Reserved bits should be cleared (0)										

Table 22. Read Configuration Register Description (Sheet 2 of 2)

3	Burst Wrap (BW)	0 = Wrap; Burst accesses wrap within burst length set by BL[2:0] 1 = No Wrap; Burst accesses do not wrap within burst length (default)
2:0	Burst Length (BL[2:0])	001 = 4-word burst 010 = 8-word burst 011 = 16-word burst 111 = Continuous-word burst (default) (Other bit settings are reserved)

Note: Latency Code 2, Data Hold for a 2-clock data cycle (DH = 1) WAIT must be deasserted with valid data (WD = 0). Latency Code 2, Data Hold for a 2-clock data cycle (DH=1) WAIT deasserted one data cycle before valid data (WD = 1) combination is not supported.

10.3.1 Read Mode

The Read Mode (RM) bit selects synchronous burst-mode or asynchronous page-mode operation for the device. When the RM bit is set, asynchronous page mode is selected (default). When RM is cleared, synchronous burst mode is selected.

10.3.2 Latency Count

The Latency Count bits, LC[2:0], tell the device how many clock cycles must elapse from the rising edge of ADV# (or from the first valid clock edge after ADV# is asserted) until the first data word is to be driven onto DQ[15:0]. The input clock frequency is used to determine this value. [Figure 28](#) shows the data output latency for the different settings of LC[2:0].

Synchronous burst with a Latency Count setting of Code 4 will result in zero WAIT state; however, a Latency Count setting of Code 5 will cause 1 WAIT state (Code 6 will cause 2 WAIT states, and Code 7 will cause 3 WAIT states) after every four words, regardless of whether a 16-word boundary is crossed. If RCR[9] (Data Hold) bit is set (data hold of two clocks) this WAIT condition will not occur because enough clocks elapse during each burst cycle to eliminate subsequent WAIT states.

Refer to [Table 23, “LC and Frequency Support”](#) on page 56 for Latency Code Settings.

Figure 28. First-Access Latency Count

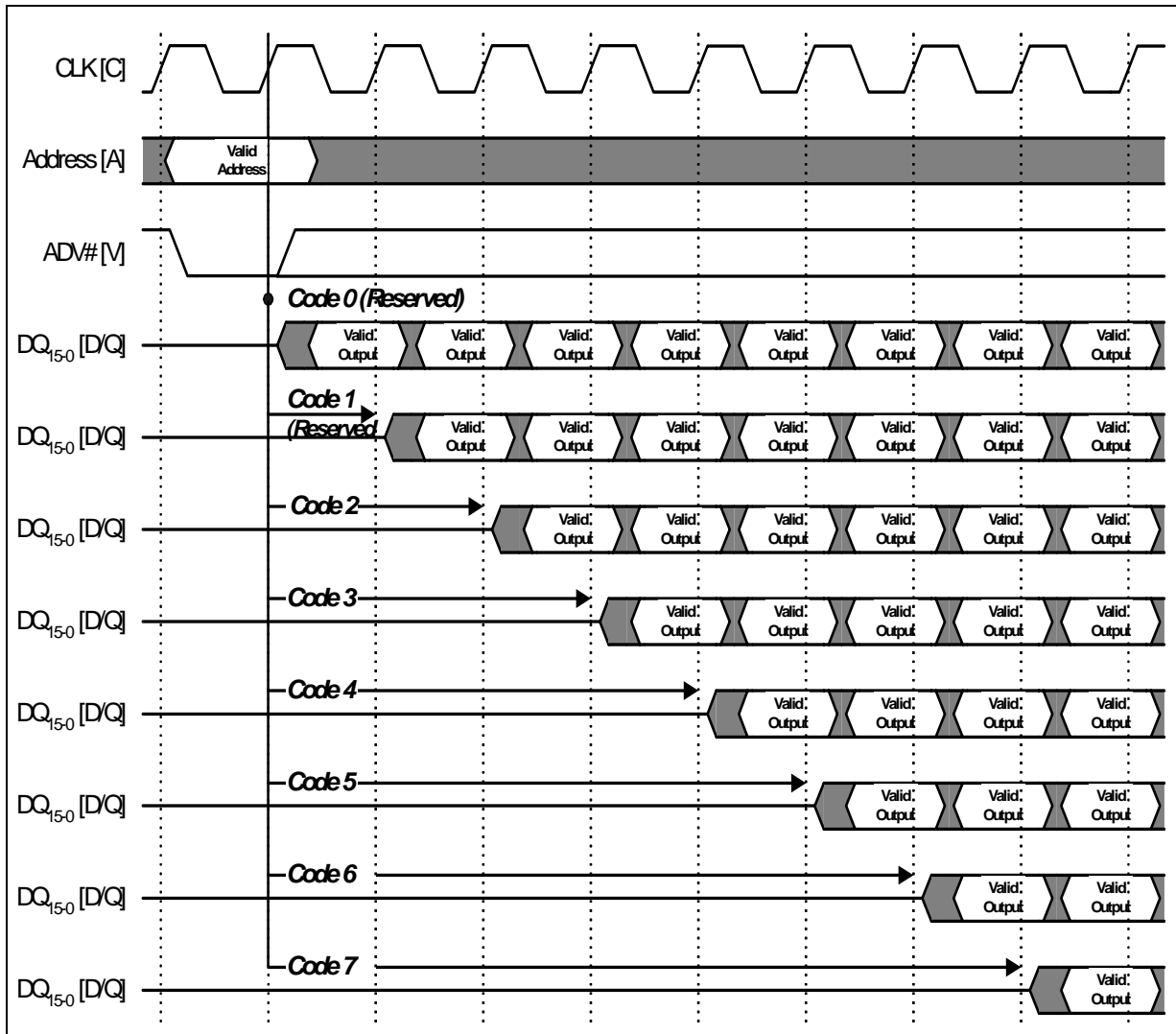
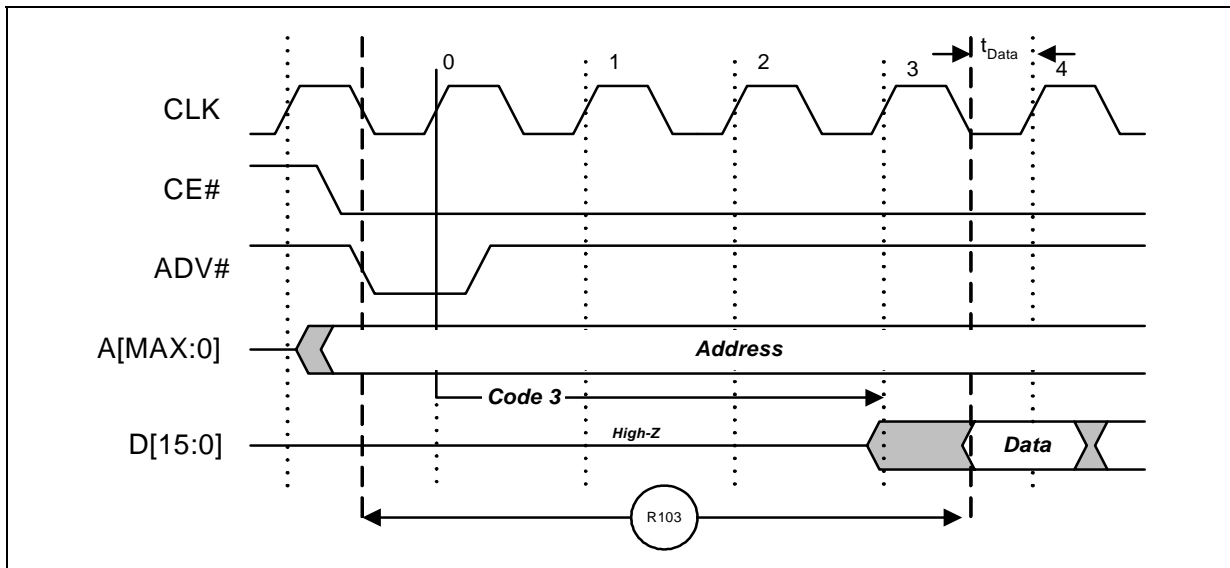


Table 23. LC and Frequency Support

Latency Count Settings	Frequency Support (MHz)
2	≤ 27
3	≤ 40

See Figure 29, “Example Latency Count Setting using Code 3.”

Figure 29. Example Latency Count Setting using Code 3



10.3.3 WAIT Polarity

The WAIT Polarity bit (WP), RCR[10] determines the asserted level (V_{OH} or V_{OL}) of WAIT. When WP is set, WAIT is asserted high (default). When WP is cleared, WAIT is asserted low. WAIT changes state on valid clock edges during active bus cycles (CE# asserted, OE# asserted, RST# deasserted).

10.3.3.1 WAIT Signal Function

The WAIT signal indicates data valid when the device is operating in synchronous mode (RCR[15]=0). The WAIT signal is only “deasserted” when data is valid on the bus.

When the device is operating in synchronous non-array read mode, such as read status, read ID, or read query. The WAIT signal is also “deasserted” when data is valid on the bus.

WAIT behavior during synchronous non-array reads at the end of word line works correctly only on the first data access.

When the device is operating in asynchronous page mode, asynchronous single word read mode, and all write operations, WAIT is set to a deasserted state as determined by RCR[10]. See Figure 17, “Asynchronous Single-Word Read (ADV# Latch)” on page 38, and Figure 18, “Asynchronous Page-Mode Read Timing” on page 39.

Table 24. WAIT Functionality Table

Condition	WAIT	Notes
CE# = '1', OE# = 'X' or CE# = '0', OE# = '1'	High-Z	1
CE# = '0', OE# = '0'	Active	1
Synchronous Array Reads	Active	1
Synchronous Non-Array Reads	Active	1
All Asynchronous Reads	Deasserted	1
All Writes	High-Z	1,2

Notes:

1. **Active:** WAIT is asserted until data becomes valid, then deasserts
2. When OE# = V_{IH} during writes, WAIT = High-Z

10.3.4 Data Hold

For burst read operations, the Data Hold (DH) bit determines whether the data output remains valid on DQ[15:0] for one or two clock cycles. This period of time is called the “**data cycle**”. When DH is set, output data is held for two clocks (default). When DH is cleared, output data is held for one clock (see Figure 30). The processor’s data setup time and the flash memory’s clock-to-data output delay should be considered when determining whether to hold output data for one or two clocks. A method for determining the Data Hold configuration is shown below:

To set the device at one clock data hold for subsequent reads, the following condition must be satisfied:

$$t_{CHQV} \text{ (ns)} + t_{DATA} \text{ (ns)} \leq \text{One CLK Period (ns)}$$

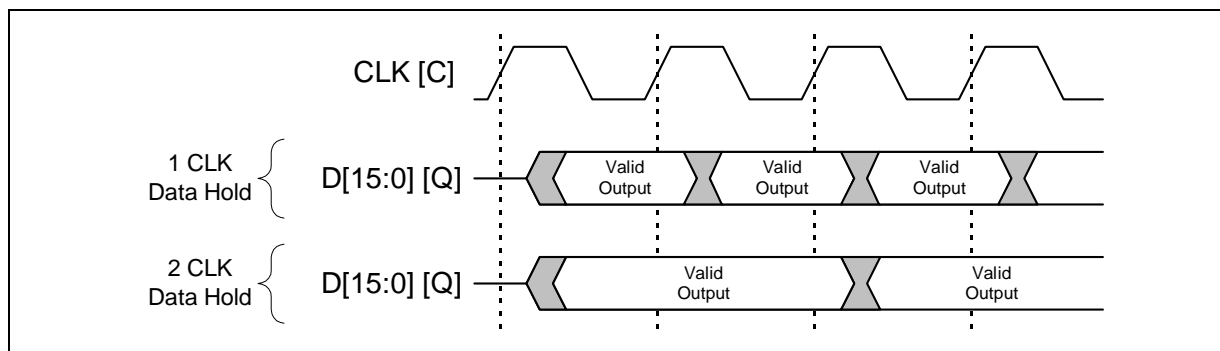
t_{DATA} = Data set up to Clock (defined by CPU)

For example, with a clock frequency of 40 MHz, the clock period is 25 ns. Assuming $t_{CHQV} = 20$ ns and $t_{DATA} = 4$ ns. Applying these values to the formula above:

$$20 \text{ ns} + 4 \text{ ns} \leq 25 \text{ ns}$$

The equation is satisfied and data will be available at every clock period with data hold setting at one clock. If $t_{CHQV} \text{ (ns)} + t_{DATA} \text{ (ns)} > \text{One CLK Period (ns)}$, data hold setting of 2 clock periods must be used.

Figure 30. Data Hold Timing



10.3.5 WAIT Delay

The WAIT Delay (WD) bit controls the WAIT assertion-delay behavior during synchronous burst reads. WAIT can be asserted either during or one data cycle before valid data is output on DQ[15:0]. When WD is set, WAIT is deasserted one data cycle *before* valid data (default). When WD is cleared, WAIT is deasserted *during* valid data.

10.3.6 Burst Sequence

The Burst Sequence (BS) bit selects linear-burst sequence (default). Only linear-burst sequence is supported. Table 25 shows the synchronous burst sequence for all burst lengths, as well as the effect of the Burst Wrap (BW) setting.

Table 25. Burst Sequence Word Ordering

Start Addr. (DEC)	Burst Wrap (RCR[3])	Burst Addressing Sequence (DEC)			
		4-Word Burst (BL[2:0] = 0b001)	8-Word Burst (BL[2:0] = 0b010)	16-Word Burst (BL[2:0] = 0b011)	Continuous Burst (BL[2:0] = 0b111)
0	0	0-1-2-3	0-1-2-3-4-5-6-7	0-1-2-3-4...14-15	0-1-2-3-4-5-6-...
1	0	1-2-3-0	1-2-3-4-5-6-7-0	1-2-3-4-5...15-0	1-2-3-4-5-6-7-...
2	0	2-3-0-1	2-3-4-5-6-7-0-1	2-3-4-5-6...15-0-1	2-3-4-5-6-7-8-...
3	0	3-0-1-2	3-4-5-6-7-0-1-2	3-4-5-6-7...15-0-1-2	3-4-5-6-7-8-9-...
4	0		4-5-6-7-0-1-2-3	4-5-6-7-8...15-0-1-2-3	4-5-6-7-8-9-10-...
5	0		5-6-7-0-1-2-3-4	5-6-7-8-9...15-0-1-2-3-4	5-6-7-8-9-10-11-...
6	0		6-7-0-1-2-3-4-5	6-7-8-9-10...15-0-1-2-3-4-5	6-7-8-9-10-11-12-...
7	0		7-0-1-2-3-4-5-6	7-8-9-10...15-0-1-2-3-4-5-6	7-8-9-10-11-12-13-...
⋮	⋮	⋮	⋮	⋮	⋮
14	0			14-15-0-1-2...12-13	14-15-16-17-18-19-20-...
15	0			15-0-1-2-3...13-14	15-16-17-18-19-20-21-...
⋮	⋮	⋮	⋮	⋮	⋮
0	1	0-1-2-3	0-1-2-3-4-5-6-7	0-1-2-3-4...14-15	0-1-2-3-4-5-6-...
1	1	1-2-3-4	1-2-3-4-5-6-7-8	1-2-3-4-5...15-16	1-2-3-4-5-6-7-...
2	1	2-3-4-5	2-3-4-5-6-7-8-9	2-3-4-5-6...16-17	2-3-4-5-6-7-8-...
3	1	3-4-5-6	3-4-5-6-7-8-9-10	3-4-5-6-7...17-18	3-4-5-6-7-8-9-...
4	1		4-5-6-7-8-9-10-11	4-5-6-7-8...18-19	4-5-6-7-8-9-10-...
5	1		5-6-7-8-9-10-11-12	5-6-7-8-9...19-20	5-6-7-8-9-10-11-...
6	1		6-7-8-9-10-11-12-13	6-7-8-9-10...20-21	6-7-8-9-10-11-12-...
7	1		7-8-9-10-11-12-13-14	7-8-9-10-11...21-22	7-8-9-10-11-12-13-...
⋮	⋮	⋮	⋮	⋮	⋮
14	1			14-15-16-17-18...28-29	14-15-16-17-18-19-20-...
15	1			15-16-17-18-19...29-30	15-16-17-18-19-20-21-...

10.3.7 Clock Edge

The Clock Edge (CE) bit selects either a rising (default) or falling clock edge for CLK. This clock edge is used at the start of a burst cycle, to output synchronous data, and to assert/deassert WAIT.

10.3.8 Burst Wrap

The Burst Wrap (BW) bit determines whether 4-word, 8-word, or 16-word burst length accesses wrap within the selected word-length boundaries or cross word-length boundaries. When BW is set, burst wrapping does not occur (default). When BW is cleared, burst wrapping occurs.

When performing synchronous burst reads with BW set (no wrap), an output delay may occur when the burst sequence crosses its first device-row (16-word) boundary. If the burst sequence's start address is 4-word aligned, then no delay occurs. If the start address is at the end of a 4-word

boundary, the worst case output delay is one clock cycle less than the first access Latency Count. This delay can take place only once, and doesn't occur if the burst sequence does not cross a device-row boundary. WAIT informs the system of this delay when it occurs.

10.3.9 Burst Length

The Burst Length bit (BL[2:0]) selects the linear burst length for all synchronous burst reads of the flash memory array. The burst lengths are 4-word, 8-word, 16-word, and continuous word.

Continuous-burst accesses are linear only, and do not wrap within any word length boundaries (see [Table 25, "Burst Sequence Word Ordering" on page 59](#)). When a burst cycle begins, the device outputs synchronous burst data until it reaches the end of the "burstable" address space.

11.0 Programming Operations

The device supports three programming methods: Word Programming (40h/10h), Buffered Programming (E8h, D0h), and Buffered Enhanced Factory Programming (80h, D0h). See [Section 9.0, “Device Operations” on page 48](#) for details on the various programming commands issued to the device. The following sections describe device programming in detail.

Successful programming requires the addressed block to be unlocked. If the block is locked down, WP# must be deasserted and the block must be unlocked before attempting to program the block. Attempting to program a locked block causes a program error (SR[4] and SR[1] set) and termination of the operation. See [Section 13.0, “Security Modes” on page 69](#) for details on locking and unlocking blocks.

The Intel StrataFlash® Embedded Memory (P30) is segmented into multiple Programming Regions. Programming Regions are made up of 8 or 16 blocks depending on the density. The 64- and 128-Mbit devices have 8 blocks per Programming Region, while the 256-Mbit has 16 blocks in each Programming Region (see [Table 26](#)). See [Section 4.4, “Memory Maps” on page 24](#) for address ranges of each Programming Region per density.

Table 26. Programming Regions per Device

Device Density	Number of blocks per Programming Region	Number of Programming Regions per Device
64-Mbit	8 blocks	8
128-Mbit	8 blocks	16
256-Mbit	16 blocks	16
512-Mbit	16 blocks	32
1-Gbit	16 blocks	64

Execute in Place (XIP) is defined as the ability to execute code directly from the flash memory.

XIP applications must partition the memory such that code and data are in separate programming regions (see [Table 26, “Programming Regions per Device” on page 61](#)). Each Programming Region should contain only code or data, and not both. The following terms define the difference between code and data. System designs must use these definitions when partitioning their code and data for the P30 device.

- Code :** Execution code ran out of the flash device on a continuous basis in the system.
- Data :** Information periodically programmed into the flash device and read back (e.g. execution code shadowed and executed in RAM, pictures, log files, etc.).

11.1 Word Programming

Word programming operations are initiated by writing the Word Program Setup command to the device (see [Section 9.0, “Device Operations” on page 48](#)). This is followed by a second write to the device with the address and data to be programmed. The device outputs Status Register data when read. See [Figure 40, “Word Program Flowchart” on page 85](#). V_{PP} must be above V_{PPLK} , and within the specified V_{PPL} min/max values (nominally 1.8 V).

During programming, the Write State Machine (WSM) executes a sequence of internally-timed events that program the desired data bits at the addressed location, and verifies that the bits are sufficiently programmed. Programming the flash memory array changes “ones” to “zeros”. Memory array bits that are zeros can be changed to ones only by erasing the block (see [Section 12.0, “Erase Operations” on page 67](#)).

The Status Register can be examined for programming progress and errors by reading at any address. The device remains in the Read Status Register state until another command is written to the device.

Status Register bit SR[7] indicates the programming status while the sequence executes. Commands that can be issued to the device during programming are Program Suspend, Read Status Register, Read Device Identifier, CFI Query, and Read Array (this returns unknown data).

When programming has finished, Status Register bit SR[4] (when set) indicates a programming failure. If SR[3] is set, the WSM could not perform the word programming operation because V_{PP} was outside of its acceptable limits. If SR[1] is set, the word programming operation attempted to program a locked block, causing the operation to abort.

Before issuing a new command, the Status Register contents should be examined and then cleared using the Clear Status Register command. Any valid command can follow, when word programming has completed.

11.1.1 Factory Word Programming

Factory word programming is similar to word programming in that it uses the same commands and programming algorithms. However, factory word programming enhances the programming performance with $V_{PP} = V_{PPH}$. This can enable faster programming times during OEM manufacturing processes. Factory word programming is not intended for extended use. See [Section 5.2, “Operating Conditions” on page 30](#) for limitations when $V_{PP} = V_{PPH}$.

Note: When $V_{PP} = V_{PPL}$, the device draws programming current from the V_{CC} supply. If V_{PP} is driven by a logic signal, V_{PPL} must remain above $V_{PPL\ MIN}$ to program the device. When $V_{PP} = V_{PPH}$, the device draws programming current from the V_{PP} supply. [Figure 31, “Example VPP Supply Connections” on page 66](#) shows examples of device power supply configurations.

11.2 Buffered Programming

The device features a 32-word buffer to enable optimum programming performance. For Buffered Programming, data is first written to an on-chip write buffer. Then the buffer data is programmed into the flash memory array in buffer-size increments. This can improve system programming performance significantly over non-buffered programming.

When the Buffered Programming Setup command is issued (see [Section 9.2, “Device Commands” on page 50](#)), Status Register information is updated and reflects the availability of the buffer. SR[7] indicates buffer availability: if set, the buffer is available; if cleared, the buffer is not available. To retry, issue the Buffered Programming Setup command again, and re-check SR[7]. When SR[7] is set, the buffer is ready for loading. (see [Figure 42, “Buffer Program Flowchart” on page 87](#)).

On the next write, a word count is written to the device at the buffer address. This tells the device how many data words will be written to the buffer, up to the maximum size of the buffer.

On the next write, a device start address is given along with the first data to be written to the flash memory array. Subsequent writes provide additional device addresses and data. All data addresses must lie within the start address plus the word count. Optimum programming performance and lower power usage are obtained by aligning the starting address at the beginning of a 32-word boundary ($A[4:0] = 0x00$). Crossing a 32-word boundary during programming will double the total programming time.

After the last data is written to the buffer, the Buffered Programming Confirm command must be issued to the original block address. The WSM begins to program buffer contents to the flash memory array. If a command other than the Buffered Programming Confirm command is written to the device, a command sequence error occurs and Status Register bits SR[7,5,4] are set. If an error occurs while writing to the array, the device stops programming, and Status Register bits SR[7,4] are set, indicating a programming failure.

When Buffered Programming has completed, additional buffer writes can be initiated by issuing another Buffered Programming Setup command and repeating the buffered program sequence. Buffered programming may be performed with $V_{PP} = V_{PPL}$ or V_{PPH} (see [Section 5.2, “Operating Conditions” on page 30](#) for limitations when operating the device with $V_{PP} = V_{PPH}$).

If an attempt is made to program past an erase-block boundary using the Buffered Program command, the device aborts the operation. This generates a command sequence error, and Status Register bits SR[5,4] are set.

If Buffered programming is attempted while V_{PP} is below V_{PPLK} , Status Register bits SR[4,3] are set. If any errors are detected that have set Status Register bits, the Status Register should be cleared using the Clear Status Register command.

11.3 Buffered Enhanced Factory Programming

Buffered Enhanced Factory Programming (BEFP) speeds up Multi-Level Cell (MLC) flash programming. The enhanced programming algorithm used in BEFP eliminates traditional programming elements that drive up overhead in device programmer systems.

BEFP consists of three phases: Setup, Program/Verify, and Exit (see [Figure 43, “BEFP Flowchart” on page 88](#)). It uses a write buffer to spread MLC program performance across 32 data words. Verification occurs in the same phase as programming to accurately program the flash memory cell to the correct bit state.

A single two-cycle command sequence programs the entire block of data. This enhancement eliminates three write cycles per buffer: two commands and the word count for each set of 32 data words. Host programmer bus cycles fill the device’s write buffer followed by a status check. SR[0] indicates when data from the buffer has been programmed into sequential flash memory array locations.

Following the buffer-to-flash array programming sequence, the Write State Machine (WSM) increments internal addressing to automatically select the next 32-word array boundary. This aspect of BEFP saves host programming equipment the address-bus setup overhead.

With adequate continuity testing, programming equipment can rely on the WSM’s internal verification to ensure that the device has programmed properly. This eliminates the external post-program verification and its associated overhead.

11.3.1 BEFP Requirements and Considerations

BEFP requirements:

- Case temperature: $T_C = 25\text{ °C} \pm 5\text{ °C}$
- V_{CC} within specified operating range
- V_{PP} driven to V_{PPH}
- Target block unlocked before issuing the BEFP Setup and Confirm commands
- The first-word address (WA0) for the block to be programmed must be held constant from the setup phase through all data streaming into the target block, until transition to the exit phase is desired
- WA0 must align with the start of an array buffer boundary¹

BEFP considerations:

- For optimum performance, cycling must be limited below 100 erase cycles per block²
- BEFP programs one block at a time; all buffer data must fall within a single block³
- BEFP cannot be suspended
- Programming to the flash memory array can occur only when the buffer is full⁴

NOTES:

1. Word buffer boundaries in the array are determined by A[4:0] (0x00 through 0x1F). The alignment start point is A[4:0] = 0x00.
2. Some degradation in performance may occur if this limit is exceeded, but the internal algorithm continues to work properly.
3. If the internal address counter increments beyond the block's maximum address, addressing wraps around to the beginning of the block.
4. If the number of words is less than 32, remaining locations must be filled with 0xFFFF.

11.3.2 BEFP Setup Phase

After receiving the BEFP Setup and Confirm command sequence, Status Register bit SR[7] (Ready) is cleared, indicating that the WSM is busy with BEFP algorithm startup. A delay before checking SR[7] is required to allow the WSM enough time to perform all of its setups and checks (Block-Lock status, V_{PP} level, etc.). If an error is detected, SR[4] is set and BEFP operation terminates. If the block was found to be locked, SR[1] is also set. SR[3] is set if the error occurred due to an incorrect V_{PP} level.

Note: Reading from the device after the BEFP Setup and Confirm command sequence outputs Status Register data. Do not issue the Read Status Register command; it will be interpreted as data to be loaded into the buffer.

11.3.3 BEFP Program/Verify Phase

After the BEFP Setup Phase has completed, the host programming system must check SR[7,0] to determine the availability of the write buffer for data streaming. SR[7] cleared indicates the device is busy and the BEFP program/verify phase is activated. SR[0] indicates the write buffer is available.

Two basic sequences repeat in this phase: loading of the write buffer, followed by buffer data programming to the array. For BEFP, the count value for buffer loading is always the maximum buffer size of 32 words. During the buffer-loading sequence, data is stored to sequential buffer locations starting at address 0x00. Programming of the buffer contents to the flash memory array starts as soon as the buffer is full. If the number of words is less than 32, the remaining buffer locations must be filled with 0xFFFF.

Caution: *The buffer must be completely filled for programming to occur. Supplying an address outside of the current block's range during a buffer-fill sequence causes the algorithm to exit immediately. Any data previously loaded into the buffer during the fill cycle is not programmed into the array.*

The starting address for data entry must be buffer size aligned, if not the BEFP algorithm will be aborted and the program fails and (SR[4]) flag will be set.

Data words from the write buffer are directed to sequential memory locations in the flash memory array; programming continues from where the previous buffer sequence ended. The host programming system must poll SR[0] to determine when the buffer program sequence completes. SR[0] cleared indicates that all buffer data has been transferred to the flash array; SR[0] set indicates that the buffer is not available yet for the next fill cycle. The host system may check full status for errors at any time, but it is only necessary on a block basis after BEFP exit. After the buffer fill cycle, no write cycles should be issued to the device until SR[0] = 0 and the device is ready for the next buffer fill.

Note: Any spurious writes are ignored after a buffer fill operation and when internal program is proceeding.

The host programming system continues the BEFP algorithm by providing the next group of data words to be written to the buffer. Alternatively, it can terminate this phase by changing the block address to one outside of the current block's range.

The Program/Verify phase concludes when the programmer writes to a different block address; data supplied must be 0xFFFF. Upon Program/Verify phase completion, the device enters the BEFP Exit phase.

11.3.4 BEFP Exit Phase

When SR[7] is set, the device has returned to normal operating conditions. A full status check should be performed at this time to ensure the entire block programmed successfully. When exiting the BEFP algorithm with a block address change, the read mode will not change. After BEFP exit, any valid command can be issued to the device.

11.4 Program Suspend

Issuing the Program Suspend command while programming suspends the programming operation. This allows data to be accessed from the device other than the one being programmed. The Program Suspend command can be issued to any device address. A program operation can be suspended to perform reads only. Additionally, a program operation that is running during an erase suspend can be suspended to perform a read operation (see [Figure 41, "Program Suspend/Resume Flowchart"](#) on page 86).

When a programming operation is executing, issuing the Program Suspend command requests the WSM to suspend the programming algorithm at predetermined points. The device continues to output Status Register data after the Program Suspend command is issued. Programming is suspended when Status Register bits SR[7,2] are set. Suspend latency is specified in Section 7.5, “Program and Erase Characteristics” on page 45.

To read data from the device, the Read Array command must be issued. Read Array, Read Status Register, Read Device Identifier, CFI Query, and Program Resume are valid commands during a program suspend.

During a program suspend, deasserting CE# places the device in standby, reducing active current. V_{PP} must remain at its programming level, and WP# must remain unchanged while in program suspend. If RST# is asserted, the device is reset.

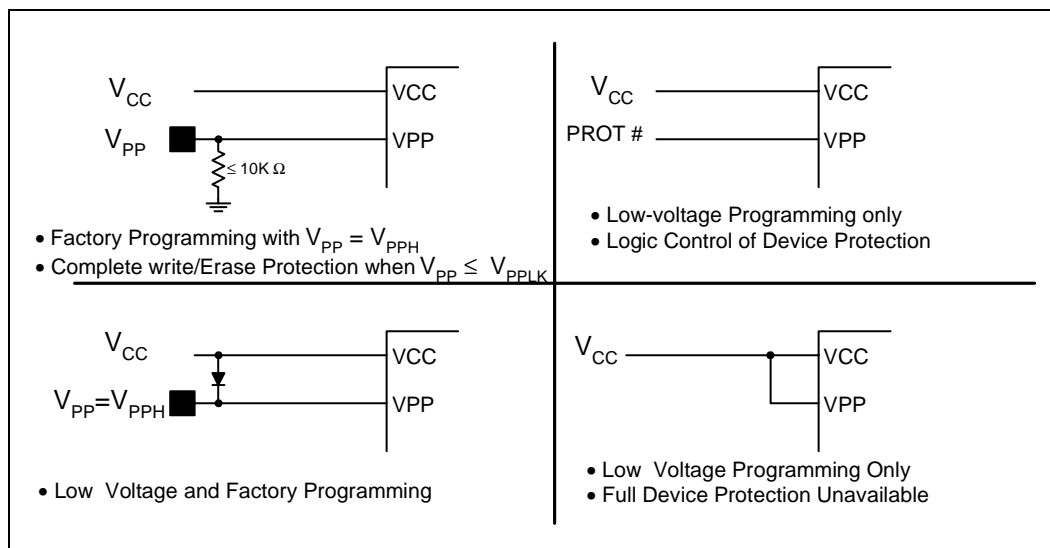
11.5 Program Resume

The Resume command instructs the device to continue programming, and automatically clears Status Register bits SR[7,2]. This command can be written to any address. If error bits are set, the Status Register should be cleared before issuing the next instruction. RST# must remain deasserted (see Figure 41, “Program Suspend/Resume Flowchart” on page 86).

11.6 Program Protection

When $V_{PP} = V_{IL}$, absolute hardware write protection is provided for all device blocks. If V_{PP} is at or below V_{PPLK} , programming operations halt and SR[3] is set indicating a V_{PP} -level error. Block lock registers are not affected by the voltage level on V_{PP} ; they may still be programmed and read, even if V_{PP} is less than V_{PPLK} .

Figure 31. Example VPP Supply Connections



12.0 Erase Operations

Flash erasing is performed on a block basis. An entire block is erased each time an erase command sequence is issued, and only one block is erased at a time. When a block is erased, all bits within that block read as logical ones. The following sections describe block erase operations in detail.

12.1 Block Erase

Block erase operations are initiated by writing the Block Erase Setup command to the address of the block to be erased (see [Section 9.2, “Device Commands” on page 50](#)). Next, the Block Erase Confirm command is written to the address of the block to be erased. If the device is placed in standby (CE# deasserted) during an erase operation, the device completes the erase operation before entering standby. V_{PP} must be above V_{PPLK} and the block must be unlocked (see [Figure 44, “Block Erase Flowchart” on page 89](#)).

During a block erase, the Write State Machine (WSM) executes a sequence of internally-timed events that conditions, erases, and verifies all bits within the block. Erasing the flash memory array changes “zeros” to “ones”. Memory array bits that are ones can be changed to zeros only by programming the block (see [Section 11.0, “Programming Operations” on page 61](#)).

The Status Register can be examined for block erase progress and errors by reading any address. The device remains in the Read Status Register state until another command is written. SR[0] indicates whether the addressed block is erasing. Status Register bit SR[7] is set upon erase completion.

Status Register bit SR[7] indicates block erase status while the sequence executes. When the erase operation has finished, Status Register bit SR[5] indicates an erase failure if set. SR[3] set would indicate that the WSM could not perform the erase operation because V_{PP} was outside of its acceptable limits. SR[1] set indicates that the erase operation attempted to erase a locked block, causing the operation to abort.

Before issuing a new command, the Status Register contents should be examined and then cleared using the Clear Status Register command. Any valid command can follow once the block erase operation has completed.

12.2 Erase Suspend

Issuing the Erase Suspend command while erasing suspends the block erase operation. This allows data to be accessed from memory locations other than the one being erased. The Erase Suspend command can be issued to any device address. A block erase operation can be suspended to perform a word or buffer program operation, or a read operation within any block except the block that is erase suspended (see [Figure 41, “Program Suspend/Resume Flowchart” on page 86](#)).

When a block erase operation is executing, issuing the Erase Suspend command requests the WSM to suspend the erase algorithm at predetermined points. The device continues to output Status Register data after the Erase Suspend command is issued. Block erase is suspended when Status Register bits SR[7,6] are set. Suspend latency is specified in [Section 7.5, “Program and Erase Characteristics” on page 45](#).

To read data from the device (other than an erase-suspended block), the Read Array command must be issued. During Erase Suspend, a Program command can be issued to any block other than the erase-suspended block. Block erase cannot resume until program operations initiated during erase suspend complete. Read Array, Read Status Register, Read Device Identifier, CFI Query, and Erase Resume are valid commands during Erase Suspend. Additionally, Clear Status Register, Program, Program Suspend, Block Lock, Block Unlock, and Block Lock-Down are valid commands during Erase Suspend.

During an erase suspend, deasserting CE# places the device in standby, reducing active current. V_{PP} must remain at a valid level, and WP# must remain unchanged while in erase suspend. If RST# is asserted, the device is reset.

12.3 Erase Resume

The Erase Resume command instructs the device to continue erasing, and automatically clears status register bits SR[7,6]. This command can be written to any address. If status register error bits are set, the Status Register should be cleared before issuing the next instruction. RST# must remain deasserted (see [Figure 41, “Program Suspend/Resume Flowchart” on page 86](#)).

12.4 Erase Protection

When $V_{PP} = V_{IL}$, absolute hardware erase protection is provided for all device blocks. If V_{PP} is below V_{PPLK} , erase operations halt and SR[3] is set indicating a V_{PP} -level error.

13.0 Security Modes

The device features security modes used to protect the information stored in the flash memory array. The following sections describe each security mode in detail.

13.1 Block Locking

Individual instant block locking is used to protect user code and/or data within the flash memory array. All blocks power up in a locked state to protect array data from being altered during power transitions. Any block can be locked or unlocked with no latency. Locked blocks cannot be programmed or erased; they can only be read.

Software-controlled security is implemented using the Block Lock and Block Unlock commands. Hardware-controlled security can be implemented using the Block Lock-Down command along with asserting WP#. Also, V_{PP} data security can be used to inhibit program and erase operations (see [Section 11.6, “Program Protection” on page 66](#) and [Section 12.4, “Erase Protection” on page 68](#)).

The P30 device also offers four pre-defined areas in the main array that can be configured as One-Time Programmable (OTP) for the highest level of security. These include the four 32 KB parameter blocks together as one and the three adjacent 128 KB main blocks. This is available for top or bottom parameter devices.

13.1.1 Lock Block

To lock a block, issue the Lock Block Setup command. The next command must be the Lock Block command issued to the desired block's address (see [Section 9.2, “Device Commands” on page 50](#) and [Figure 46, “Block Lock Operations Flowchart” on page 91](#)). If the Set Read Configuration Register command is issued after the Block Lock Setup command, the device configures the RCR instead.

Block lock and unlock operations are not affected by the voltage level on V_{PP}. The block lock bits may be modified and/or read even if V_{PP} is at or below V_{PPLK}.

13.1.2 Unlock Block

The Unlock Block command is used to unlock blocks (see [Section 9.2, “Device Commands” on page 50](#)). Unlocked blocks can be read, programmed, and erased. Unlocked blocks return to a locked state when the device is reset or powered down. If a block is in a lock-down state, WP# must be deasserted before it can be unlocked (see [Figure 32, “Block Locking State Diagram” on page 70](#)).

13.1.3 Lock-Down Block

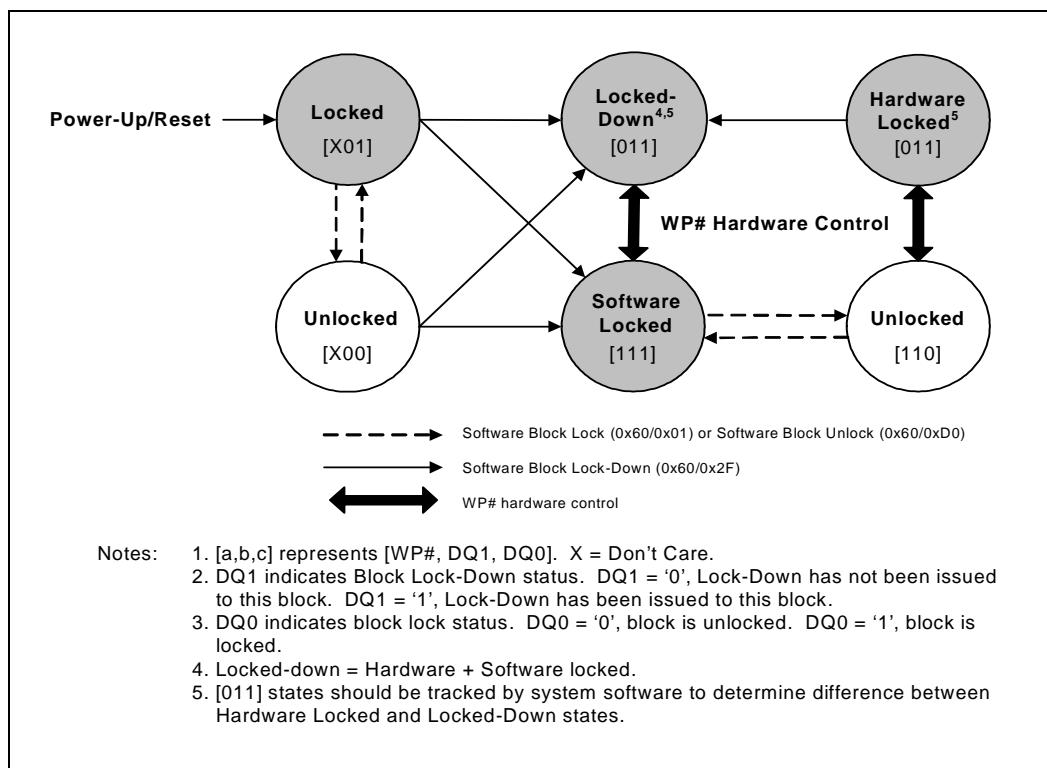
A locked or unlocked block can be locked-down by writing the Lock-Down Block command sequence (see [Section 9.2, “Device Commands” on page 50](#)). Blocks in a lock-down state cannot be programmed or erased; they can only be read. However, unlike locked blocks, their locked state cannot be changed by software commands alone. A locked-down block can only be unlocked by issuing the Unlock Block command with WP# deasserted. To return an unlocked block to locked-

down state, a Lock-Down command must be issued prior to changing WP# to V_{IL} . Locked-down blocks revert to the locked state upon reset or power up the device (see Figure 32, “Block Locking State Diagram” on page 70).

13.1.4 Block Lock Status

The Read Device Identifier command is used to determine a block’s lock status (see Section 14.2, “Read Device Identifier” on page 76). Data bits DQ[1:0] display the addressed block’s lock status; DQ0 is the addressed block’s lock bit, while DQ1 is the addressed block’s lock-down bit.

Figure 32. Block Locking State Diagram



13.1.5 Block Locking During Suspend

Block lock and unlock changes can be performed during an erase suspend. To change block locking during an erase operation, first issue the Erase Suspend command. Monitor the Status Register until SR[7] and SR[6] are set, indicating the device is suspended and ready to accept another command.

Next, write the desired lock command sequence to a block, which changes the lock state of that block. After completing block lock or unlock operations, resume the erase operation using the Erase Resume command.

Note: A Lock Block Setup command followed by any command other than Lock Block, Unlock Block, or Lock-Down Block produces a command sequence error and set Status Register bits SR[4] and

SR[5]. If a command sequence error occurs during an erase suspend, SR[4] and SR[5] remains set, even after the erase operation is resumed. Unless the Status Register is cleared using the Clear Status Register command before resuming the erase operation, possible erase errors may be masked by the command sequence error.

If a block is locked or locked-down during an erase suspend of the *same* block, the lock status bits change immediately. However, the erase operation completes when it is resumed. Block lock operations cannot occur during a program suspend. See [Appendix A, “Write State Machine” on page 78](#), which shows valid commands during an erase suspend.

13.2 Selectable One-Time Programmable Blocks

Any of four pre-defined areas from the main array (the four 32 KB parameter blocks together as one and the three adjacent 128 KB main blocks) can be configured as One-Time Programmable (OTP) so further program and erase operations are not allowed. This option is available for top or bottom parameter devices.

Table 27. Selectable OTP Block Mapping

Density	Top Parameter Configuration	Bottom Parameter Configuration
256-Mbit	blocks 258:255 (parameters)	blocks 3:0 (parameters)
	block 254 (main)	block 4 (main)
	block 253 (main)	block 5 (main)
	block 252 (main)	block 6 (main)
128-Mbit	blocks 130:127 (parameters)	blocks 3:0 (parameters)
	block 126 (main)	block 4 (main)
	block 125 (main)	block 5 (main)
	block 124 (main)	block 6 (main)
64-Mbit	blocks 66:63 (parameters)	blocks 3:0 (parameters)
	block 62 (main)	block 4 (main)
	block 61 (main)	block 5 (main)
	block 60 (main)	block 6 (main)

Note: The 512-Mbit and 1-Gbit devices will have multiple Selectable OTP Areas depending on the number of 256-Mbit dies in the stack and the placement of the parameter blocks.

Please see your local Intel representative for details about the Selectable OTP implementation.

13.3 Protection Registers

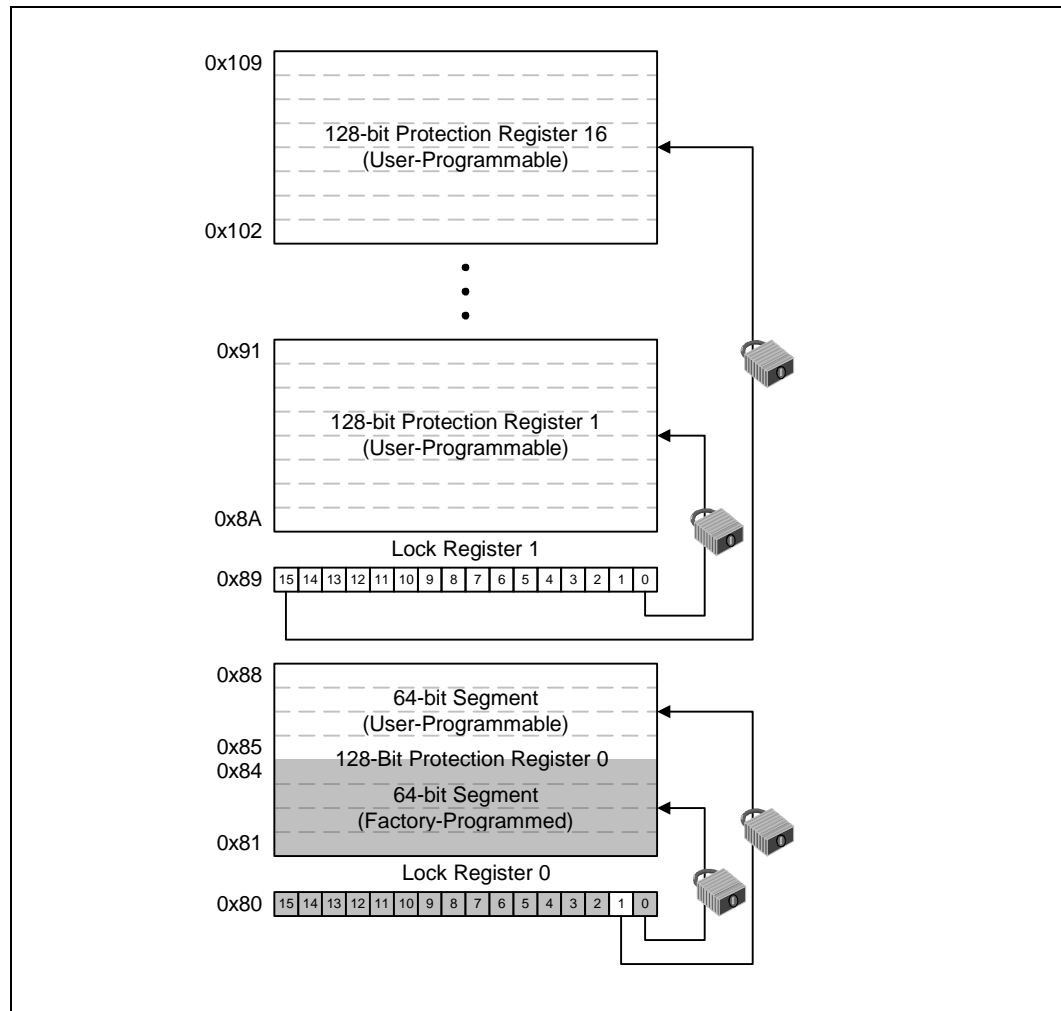
The device contains 17 Protection Registers (PRs) that can be used to implement system security measures and/or device identification. Each Protection Register can be individually locked.

The first 128-bit Protection Register is comprised of two 64-bit (8-word) segments. The lower 64-bit segment is pre-programmed at the Intel factory with a unique 64-bit number. The other 64-bit segment, as well as the other sixteen 128-bit Protection Registers, are blank. Users can program these registers as needed. When programmed, users can then lock the Protection Register(s) to prevent additional bit programming (see [Figure 33, “Protection Register Map” on page 73](#)).

The user-programmable Protection Registers contain one-time programmable (OTP) bits; when programmed, register bits cannot be erased. Each Protection Register can be accessed multiple times to program individual bits, as long as the register remains unlocked.

Each Protection Register has an associated Lock Register bit. When a Lock Register bit is programmed, the associated Protection Register can only be read; it can no longer be programmed. Additionally, because the Lock Register bits themselves are OTP, when programmed, Lock Register bits cannot be erased. Therefore, when a Protection Register is locked, it cannot be unlocked.

Figure 33. Protection Register Map



13.3.1 Reading the Protection Registers

The Protection Registers can be read from any address. To read the Protection Register, first issue the Read Device Identifier command at any address to place the device in the Read Device Identifier state (see [Section 9.2, “Device Commands” on page 50](#)). Next, perform a read operation using the address offset corresponding to the register to be read. [Table 29, “Device Identifier Information” on page 77](#) shows the address offsets of the Protection Registers and Lock Registers. Register data is read 16 bits at a time.

13.3.2 Programming the Protection Registers

To program any of the Protection Registers, first issue the Program Protection Register command at the parameter’s base address plus the offset to the desired Protection Register (see [Section 9.2, “Device Commands” on page 50](#)). Next, write the desired Protection Register data to the same Protection Register address (see [Figure 33, “Protection Register Map” on page 73](#)).

The device programs the 64-bit and 128-bit user-programmable Protection Register data 16 bits at a time (see [Figure 47, “Protection Register Programming Flowchart” on page 92](#)). Issuing the Program Protection Register command outside of the Protection Register’s address space causes a program error (SR[4] set). Attempting to program a locked Protection Register causes a program error (SR[4] set) and a lock error (SR[1] set).

13.3.3 Locking the Protection Registers

Each Protection Register can be locked by programming its respective lock bit in the Lock Register. To lock a Protection Register, program the corresponding bit in the Lock Register by issuing the Program Lock Register command, followed by the desired Lock Register data (see [Section 9.2, “Device Commands” on page 50](#)). The physical addresses of the Lock Registers are 0x80 for register 0 and 0x89 for register 1. These addresses are used when programming the lock registers (see [Table 29, “Device Identifier Information” on page 77](#)).

Bit 0 of Lock Register 0 is already programmed at the factory, locking the lower, pre-programmed 64-bit region of the first 128-bit Protection Register containing the unique identification number of the device. Bit 1 of Lock Register 0 can be programmed by the user to lock the user-programmable, 64-bit region of the first 128-bit Protection Register. When programming Bit 1 of Lock Register 0, all other bits need to be left as ‘1’ such that the data programmed is 0xFFFD.

Lock Register 1 controls the locking of the upper sixteen 128-bit Protection Registers. Each of the 16 bits of Lock Register 1 correspond to each of the upper sixteen 128-bit Protection Registers. Programming a bit in Lock Register 1 locks the corresponding 128-bit Protection Register.

Caution: After being locked, the Protection Registers cannot be unlocked.

14.0 Special Read States

The following sections describe non-array read states. Non-array reads can be performed in asynchronous read or synchronous burst mode. A non-array read operation occurs as asynchronous single-word mode. When non-array reads are performed in asynchronous page mode only the first data is valid and all subsequent data are undefined. When a non-array read operation occurs as synchronous burst mode, the same word of data requested will be output on successive clock edges until the burst length requirements are satisfied.

Refer to the following waveforms for more detailed information:

- [Figure 16, “Asynchronous Single-Word Read \(ADV# Low\)” on page 38](#)
- [Figure 17, “Asynchronous Single-Word Read \(ADV# Latch\)” on page 38](#)
- [Figure 19, “Synchronous Single-Word Array or Non-array Read Timing” on page 39](#)

14.1 Read Status Register

To read the Status Register, issue the Read Status Register command at any address. Status Register information is available to which the Read Status Register, Word Program, or Block Erase command was issued. Status Register data is automatically made available following a Word Program, Block Erase, or Block Lock command sequence. Reads from the device after any of these command sequences outputs the device’s status until another valid command is written (e.g. Read Array command).

The Status Register is read using single asynchronous-mode or synchronous burst mode reads. Status Register data is output on DQ[7:0], while 0x00 is output on DQ[15:8]. In asynchronous mode the falling edge of OE#, or CE# (whichever occurs first) updates and latches the Status Register contents. However, reading the Status Register in synchronous burst mode, CE# or ADV# must be toggled to update status data.

The Device Write Status bit (SR[7]) provides overall status of the device. Status register bits SR[6:1] present status and error information about the program, erase, suspend, V_{PP}, and block-locked operations.

Table 28. Status Register Description (Sheet 1 of 2)

Status Register (SR)							Default Value = 0x80
Device Write Status	Erase Suspend Status	Erase Status	Program Status	V _{PP} Status	Program Suspend Status	Block-Locked Status	BEFP Status
DWS	ESS	ES	PS	VPPS	PSS	BLS	BWS
7	6	5	4	3	2	1	0
Bit	Name		Description				
7	Device Write Status (DWS)		0 = Device is busy; program or erase cycle in progress; SR[0] valid. 1 = Device is ready; SR[6:1] are valid.				
6	Erase Suspend Status (ESS)		0 = Erase suspend not in effect. 1 = Erase suspend in effect.				

Table 28. Status Register Description (Sheet 2 of 2)

Status Register (SR)		Default Value = 0x80															
5	Erase Status (ES)	0 = Erase successful. 1 = Erase fail or program sequence error when set with SR[4,7].															
4	Program Status (PS)	0 = Program successful. 1 = Program fail or program sequence error when set with SR[5,7]															
3	V _{PP} Status (VPPS)	0 = VPP within acceptable limits during program or erase operation. 1 = VPP < VPPLK during program or erase operation.															
2	Program Suspend Status (PSS)	0 = Program suspend not in effect. 1 = Program suspend in effect.															
1	Block-Locked Status (BLS)	0 = Block not locked during program or erase. 1 = Block locked during program or erase; operation aborted.															
0	BEFP Status (BWS)	<table border="0"> <thead> <tr> <th>DWS</th> <th>BWS</th> <th></th> </tr> </thead> <tbody> <tr> <td>0</td> <td>0</td> <td>= WSM is busy and buffer is available for loading.</td> </tr> <tr> <td>0</td> <td>1</td> <td>= WSM is busy and buffer is not available for loading.</td> </tr> <tr> <td>1</td> <td>0</td> <td>= WSM is not busy and buffer is available for loading.</td> </tr> <tr> <td>1</td> <td>1</td> <td>= Reserved for Future Use (RFU).</td> </tr> </tbody> </table>	DWS	BWS		0	0	= WSM is busy and buffer is available for loading.	0	1	= WSM is busy and buffer is not available for loading.	1	0	= WSM is not busy and buffer is available for loading.	1	1	= Reserved for Future Use (RFU).
DWS	BWS																
0	0	= WSM is busy and buffer is available for loading.															
0	1	= WSM is busy and buffer is not available for loading.															
1	0	= WSM is not busy and buffer is available for loading.															
1	1	= Reserved for Future Use (RFU).															

Note: Always clear the Status Register prior to resuming erase operations. It avoids Status Register ambiguity when issuing commands during Erase Suspend. If a command sequence error occurs during an erase-suspend state, the Status Register contains the command sequence error status (SR[7,5,4] set). When the erase operation resumes and finishes, possible errors during the erase operation cannot be detected via the Status Register because it contains the previous error status.

14.1.1 Clear Status Register

The Clear Status Register command clears the status register. It functions independent of V_{PP}. The Write State Machine (WSM) sets and clears SR[7,6,2], but it sets bits SR[5:3,1] without clearing them. The Status Register should be cleared before starting a command sequence to avoid any ambiguity. A device reset also clears the Status Register.

14.2 Read Device Identifier

The Read Device Identifier command instructs the device to output manufacturer code, device identifier code, block-lock status, protection register data, or configuration register data (see [Section 9.2, “Device Commands” on page 50](#) for details on issuing the Read Device Identifier command). [Table 29, “Device Identifier Information” on page 77](#) and [Table 30, “Device ID codes” on page 77](#) show the address offsets and data values for this device.

Table 29. Device Identifier Information

Item	Address ⁽¹⁾	Data
Manufacturer Code	0x00	0089h
Device ID Code	0x01	ID (see Table 30)
Block Lock Configuration: <ul style="list-style-type: none"> • Block Is Unlocked • Block Is Locked • Block Is not Locked-Down • Block Is Locked-Down 	BBA + 0x02	Lock Bit: DQ ₀ = 0b0 DQ ₀ = 0b1 DQ ₁ = 0b0 DQ ₁ = 0b1
Configuration Register	0x05	Configuration Register Data
Lock Register 0	0x80	PR-LK0
64-bit Factory-Programmed Protection Register	0x81–0x84	Factory Protection Register Data
64-bit User-Programmable Protection Register	0x85–0x88	User Protection Register Data
Lock Register 1	0x89	Protection Register Data
128-bit User-Programmable Protection Registers	0x8A–0x109	PR-LK1

Notes:

1. BBA = Block Base Address.

Table 30. Device ID codes

ID Code Type	Device Density	Device Identifier Codes	
		-T (Top Parameter)	-B (Bottom Parameter)
Device Code	64-Mbit	8817	881A
	128-Mbit	8818	881B
	256-Mbit	8919	891C

14.3 CFI Query

The CFI Query command instructs the device to output Common Flash Interface (CFI) data when read. See Section 9.2, “Device Commands” on page 50 for details on issuing the CFI Query command. Appendix C, “Common Flash Interface” on page 93 shows CFI information and address offsets within the CFI database.

Appendix A Write State Machine

Figure 34 through Figure 39 show the command state transitions (Next State Table) based on incoming commands. Only one partition can be actively programming or erasing at a time. Each partition stays in its last read state (Read Array, Read Device ID, CFI Query or Read Status Register) until a new command changes it. The next WSM state does not depend on the partition’s output state.

Figure 34. Write State Machine—Next State Table (Sheet 1 of 6)

Command Input to Chip and resulting <i>Chip Next State</i>												
Current Chip State ⁽⁷⁾	Read Array ⁽²⁾	Word Program ^(3,4)	Buffered Program (BP)	Erase Setup ^(3,4)	Buffered Enhanced Factory Pgm Setup ^(3,4)	BE Confirm, P/E Resume, ULB, Confirm ⁽⁸⁾	BP / Prg / Erase Suspend	Read Status	Clear Status Register ⁽⁵⁾	Read ID/Query	Lock, Unlock, Lock-down, CR setup ⁽⁴⁾	
	(FFH)	(10H/40H)	(E8H)	(20H)	(80H)	(D0H)	(B0H)	(70H)	(50H)	(90H, 98H)	(60H)	
Ready	Ready	Program Setup	BP Setup	Erase Setup	BEFP Setup	Ready					Lock/CR Setup	
Lock/CR Setup	Ready (Lock Error)					Ready (Unlock Block)	Ready (Lock Error)					
OTP	Setup	OTP Busy										
	Busy	Word Program Busy										
Word Program	Setup	Program Busy					Word Program Suspend	Word Program Busy				
	Suspend	Word Program Suspend				Word Program Busy	Word Program Suspend					
BP	Setup	BP Load 1										
	BP Load 1	BP Load 2										
	BP Load 2	BP Confirm if Data load into Program Buffer is complete; Else BP Load 2										
	BP Confirm	Ready (Error)				BP Busy	Ready (Error)					
	BP Busy	BP Busy					BP Suspend	BP Busy				
	BP Suspend	BP Suspend				BP Busy	BP Suspend					
Erase	Setup	Ready (Error)				Erase Busy	Ready (Error)					
	Busy	Erase Busy					Erase Suspend	Erase Busy				
	Suspend	Erase Suspend	Word Program Setup in Erase Suspend	BP Setup in Erase Suspend	Erase Suspend	Erase Busy	Erase Suspend				Lock/CR Setup in Erase Suspend	

Figure 35. Write State Machine—Next State Table (Sheet 2 of 6)

Current Chip State ⁽⁷⁾		Command Input to Chip and resulting <i>Chip</i> Next State									
		Read Array ⁽²⁾ (FFH)	Word Program ^(3,4) (10H/40H)	Buffered Program (BP) (E8H)	Erase Setup ^(3,4) (20H)	Buffered Enhanced Factory Pgm Setup ^(3,4) (80H)	BE Confirm, P/E Resume, ULB, Confirm ⁽⁸⁾ (D0H)	BP / Prg / Erase Suspend (B0H)	Read Status (70H)	Clear Status Register ⁽⁵⁾ (50H)	Read ID/Query (90H, 98H)
Word Program in Erase Suspend	Setup	Word Program Busy in Erase Suspend									
	Busy	Word Program Busy in Erase Suspend					Word Program Suspend in Erase Suspend	Word Program Busy in Erase Suspend Busy			
	Suspend	Word Program Suspend in Erase Suspend					Word Program Busy in Erase Suspend	Word Program Suspend in Erase Suspend			
BP in Erase Suspend	Setup	BP Load 1									
	BP Load 1	BP Load 2									
	BP Load 2	BP Confirm if Data load into Program Buffer is complete; Else BP Load 2									
	BP Confirm	Erase Suspend (Error)					BP Busy in Erase Suspend	Ready (Error in Erase Suspend)			
	BP Busy	BP Busy in Erase Suspend					BP Suspend in Erase Suspend	BP Busy in Erase Suspend			
	BP Suspend	BP Suspend in Erase Suspend					BP Busy in Erase Suspend	BP Suspend in Erase Suspend			
Lock/CR Setup in Erase Suspend	Erase Suspend (Lock Error)					Erase Suspend (Unlock Block)	Erase Suspend (Lock Error [Botch])				
Buffered Enhanced Factory Program Mode	Setup	Ready (Error)					BEFP Loading Data (X=32)	Ready (Error)			
	BEFP Busy	BEFP Program and Verify Busy (if Block Address given matches address given on BEFP Setup command). Commands treated as data. ⁽⁷⁾									

Figure 36. Write State Machine—Next State Table (Sheet 3 of 6)

Current Chip State ⁽⁷⁾		Command Input to Chip and resulting <i>Chip</i> Next State						WSM Operation Completes
		OTP Setup ⁽⁴⁾ (C0H)	Lock Block Confirm ⁽⁶⁾ (01H)	Lock-Down Block Confirm ⁽⁶⁾ (2FH)	Write RCR Confirm ⁽⁶⁾ (03H)	Block Address (?WA0) ⁹ (XXXXH)	Illegal Cmds or BEFP Data ⁽¹⁾ (all other codes)	
Ready		OTP Setup	Ready					N/A
Lock/CR Setup		Ready (Lock Error)	Ready (Lock Block)	Ready (Lock Down Blk)	Ready (Set CR)	Ready (Lock Error)		N/A
OTP	Setup	OTP Busy						Ready
	Busy	Word Program Busy						N/A
Word Program	Setup	Word Program Busy						Ready
	Busy	Word Program Busy						Ready
	Suspend	Word Program Suspend						N/A
BP	Setup	BP Load 1						N/A
	BP Load 1	BP Load 2			Ready (BP Load 2)	BP Load 2		N/A
	BP Load 2	BP Confirm if Data load into Program Buffer is complete; ELSE BP load 2			Ready	BP Confirm if Data load into Program Buffer is complete; ELSE BP Load 2		N/A
	BP Confirm	Ready (Error)			Ready (Error) (Proceed if unlocked or lock error)	Ready (Error)		N/A
	BP Busy	BP Busy						Ready
	BP Suspend	BP Suspend						N/A
Erase	Setup	Ready (Error)						N/A
	Busy	Erase Busy						Ready
	Suspend	Erase Suspend						N/A

Figure 37. Write State Machine—Next State Table (Sheet 4 of 6)

Current Chip State ⁽⁷⁾		Command Input to Chip and resulting <i>Chip</i> Next State						
		OTP Setup ⁽⁴⁾ (C0H)	Lock Block Confirm ⁽⁸⁾ (01H)	Lock-Down Block Confirm ⁽⁸⁾ (2FH)	Write RCR Confirm ⁽⁸⁾ (03H)	Block Address (?WAO) ⁹ (XXXXH)	Illegal Cmds or BEFP Data ⁽¹⁾ (all other codes)	WSM Operation Completes
Word Program in Erase Suspend	Setup	Word Program Busy in Erase Suspend					NA	
	Busy	Word Program Busy in Erase Suspend Busy					Erase Suspend	
	Suspend	Word Program Suspend in Erase Suspend					N/A	
BP in Erase Suspend	Setup	BP Load 1					N/A	
	BP Load 1	BP Load 2			Ready (BP Load 2)	BP Load 2		
	BP Load 2	BP Confirm if Data load into Program Buffer is complete; Else BP Load 2			Ready	BP Confirm if Data load into Program Buffer is complete; Else BP Load 2		
	BP Confirm	Ready (Error in Erase Suspend)			Ready (Error) (Proceed if unlocked or lock error)	Ready (Error)		
	BP Busy	BP Busy in Erase Suspend					Erase Suspend	
	BP Suspend	BP Suspend in Erase Suspend					N/A	
Lock/CR Setup in Erase Suspend	Erase Suspend (Lock Error)	Erase Suspend (Lock Block)	Erase Suspend (Lock Down Block)	Erase Suspend (Set CR)	Erase Suspend (Lock Error)			N/A
Buffered Enhanced Factory Program Mode	Setup	Ready (Error)			Ready (BEFP Loading Data)	Ready (Error)		
	BEFP Busy	BEFP Program and Verify Busy (if Block Address given matches address given on BEFP Setup command). Commands treated as data. ⁽⁷⁾			Ready	BEFP Busy		Ready

Figure 38. Write State Machine—Next State Table (Sheet 5 of 6)

Output Next State Table											
Command Input to Chip and resulting <i>Output</i> Mux Next State											
Current chip state	Read Array ⁽²⁾	Word Program Setup (3,4)	BP Setup	Erase Setup ^(3,4)	Buffered Enhanced Factory Pgm Setup ^(3,4)	BE Confirm, P/E Resume, ULB Confirm ⁽⁸⁾	Program/ Erase Suspend	Read Status	Clear Status Register ⁽⁵⁾	Read ID/Query	Lock, Unlock, Lock-down, CR setup ⁽⁴⁾
	(FFH)	(10H/40H)	(E8H)	(20H)	(30H)	(D0H)	(B0H)	(70H)	(50H)	(90H, 98H)	(60H)
BEFP Setup, BEFP Pgm & Verify Busy, Erase Setup, OTP Setup, BP: Setup, Load 1, Load 2, Confirm, Word Pgm Setup, Word Pgm Setup in Erase Susp, BP Setup, Load1, Load 2, Confirm in Erase Suspend	Status Read										
Lock/CR Setup, Lock/CR Setup in Erase Susp	Status Read										
OTP Busy	Read Array	Status Read	Status Read	Output does not change.	Status Read	Output mux does not change.	ID Read	Status Read	Status Read		
Ready, Erase Suspend, BP Suspend, BP Busy, Word Program Busy, Erase Busy, BP Busy, BP Busy in Erase Suspend, Word Pgm Suspend, Word Pgm Busy in Erase Suspend, Pgm Suspend In Erase Suspend											

Figure 39. Write State Machine—Next State Table (Sheet 6 of 6)

<i>Output</i> Next State Table							
Current chip state	Command Input to Chip and resulting <i>Output</i> Mux Next State						
	OTP Setup ⁽⁴⁾	Lock Block Confirm ⁽⁸⁾	Lock-Down Block Confirm ⁽⁸⁾	Write CR Confirm ⁽⁸⁾	Block Address (?WAO)	Illegal Cmds or BEFP Data ⁽¹⁾	WSM Operation Completes
	(C0H)	(01H)	(2FH)	(03H)	(FFFFH)	(all other codes)	
BEFP Setup, BEFP Pgm & Verify Busy, Erase Setup, OTP Setup, BP: Setup, Load 1, Load 2, Confirm, Word Pgm Setup, Word Pgm Setup in Erase Susp, BP Setup, Load1, Load 2, Confirm in Erase Suspend	Status Read						Output does not change.
Lock/CR Setup, Lock/CR Setup in Erase Susp	Status Read		Array Read	Status Read			
OTP Busy	Status Read	Output does not change.		Array Read	Output does not change.		
Ready, Erase Suspend, BP Suspend, BP Busy, Word Program Busy, Erase Busy, BP Busy, BP Busy in Erase Suspend, Word Pgm Suspend, Word Pgm Busy in Erase Suspend, Pgm Suspend In Erase Suspend	Status Read	Output does not change.		Array Read	Output does not change.		

Notes:

- "Illegal commands" include commands outside of the allowed command set (allowed commands: 40H [pgm], 20H [erase], etc.)
- If a "Read Array" is attempted from a busy partition, the result will be invalid data. The ID and Query data are located at different locations in the address map.
- 1st and 2nd cycles of "2 cycles write commands" must be given to the same partition address, or unexpected results will occur.
- To protect memory contents against erroneous command sequences, there are specific instances in a multi-cycle command sequence in which the second cycle will be ignored. For example, when the device is program suspended and an erase setup command (0x20) is given followed by a confirm/resume command (0xD0), the second command will be ignored because it is unclear whether the user intends to erase the block or resume the program operation.

5. The Clear Status command only clears the error bits in the status register if the device is not in the following modes: WSM running (Pgm Busy, Erase Busy, Pgm Busy In Erase Suspend, OTP Busy, BEFP modes).
6. BEFP writes are only allowed when the status register bit #0 = 0, or else the data is ignored.
7. The "current state" is that of the "chip" and not of the "partition"; Each partition "remembers" which output (Array, ID/CFI or Status) it was last pointed to on the last instruction to the "chip", but the next state of the chip does not depend on where the partition's output mux is presently pointing to.
8. Confirm commands (Lock Block, Unlock Block, Lock-Down Block, Configuration Register) perform the operation and then move to the Ready State.
9. WA0 refers to the block address latched during the first write cycle of the current operation.

Appendix B Flowcharts

Figure 40. Word Program Flowchart

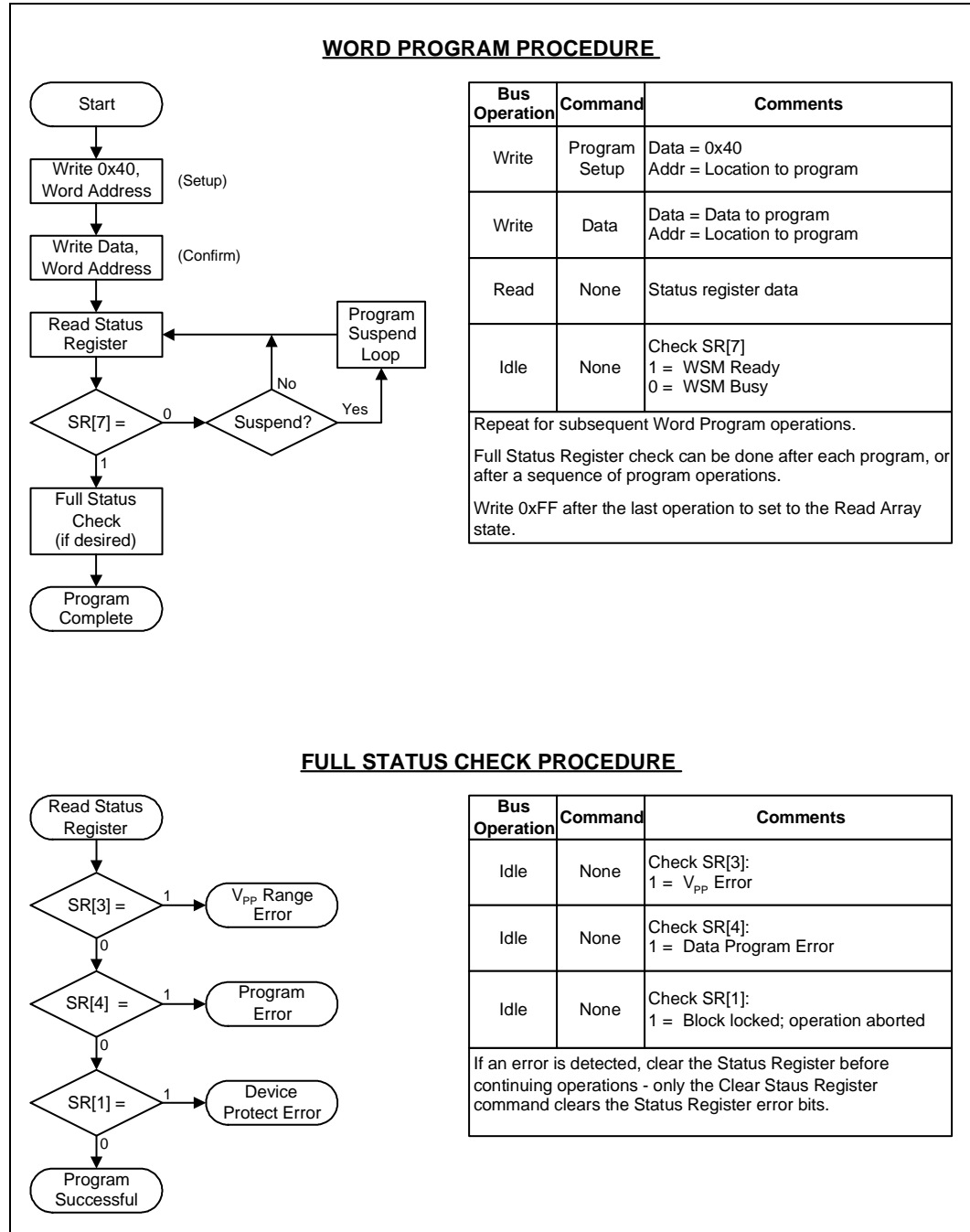


Figure 41. Program Suspend/Resume Flowchart

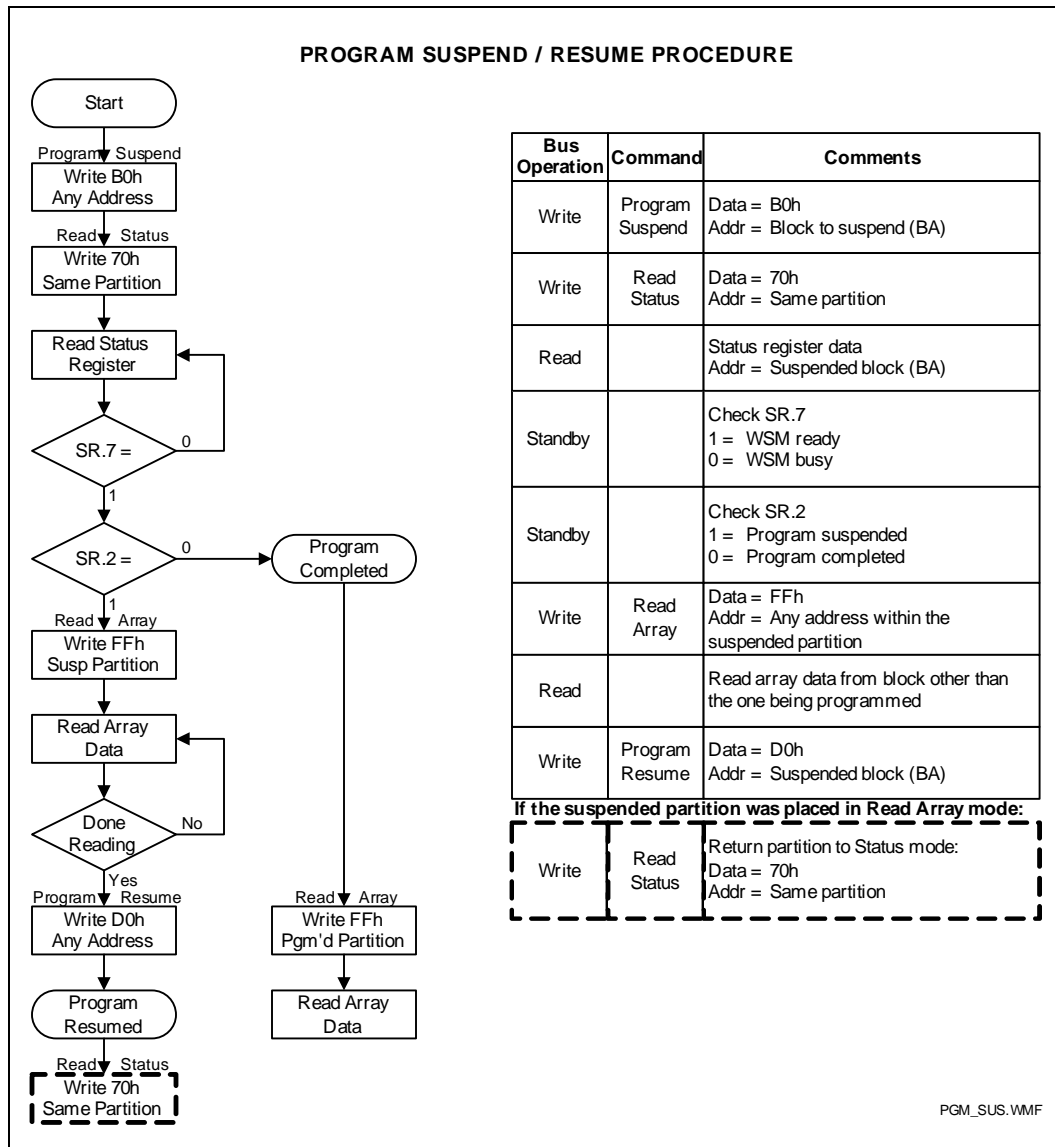


Figure 42. Buffer Program Flowchart

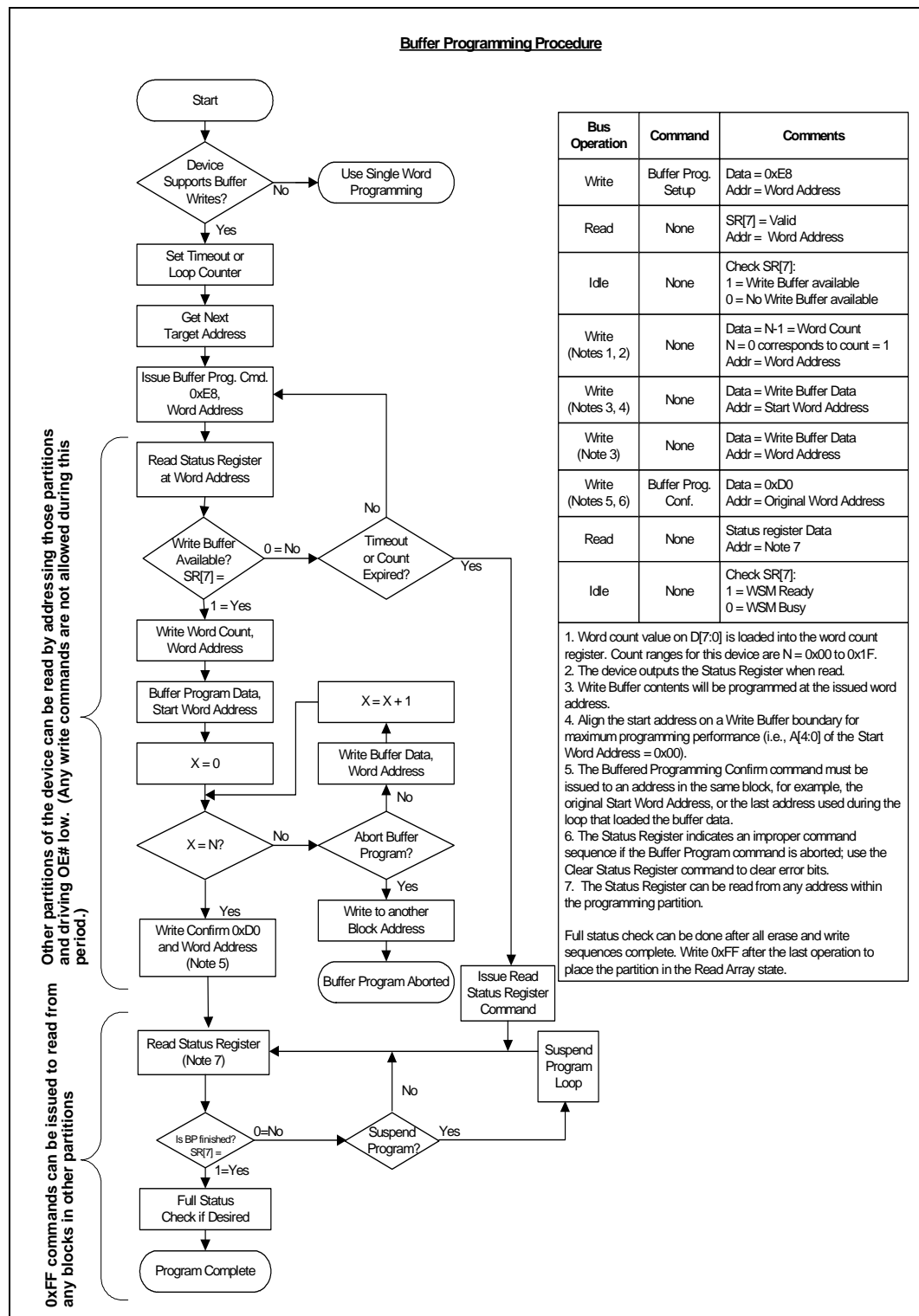


Figure 43. BEFP Flowchart

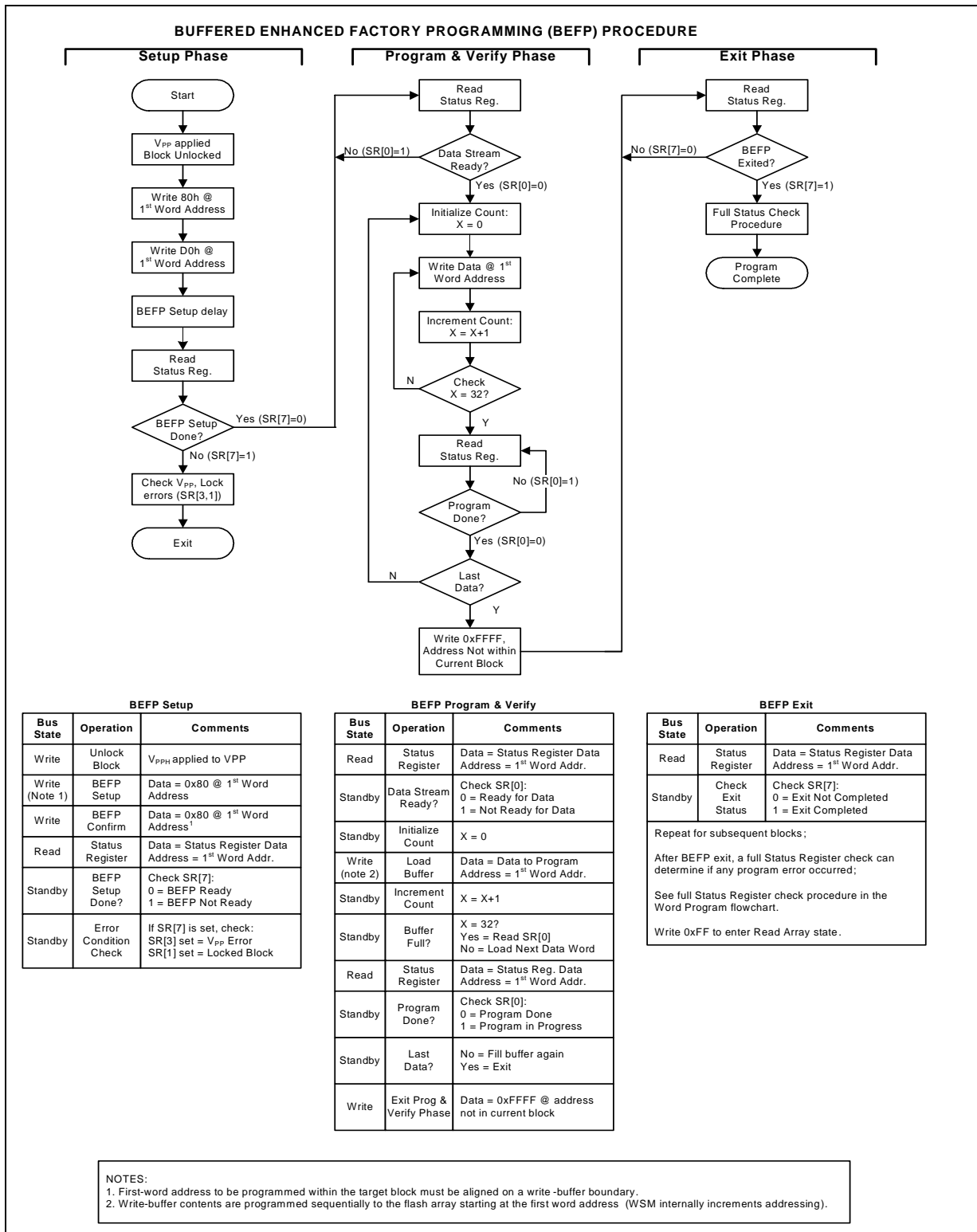


Figure 44. Block Erase Flowchart

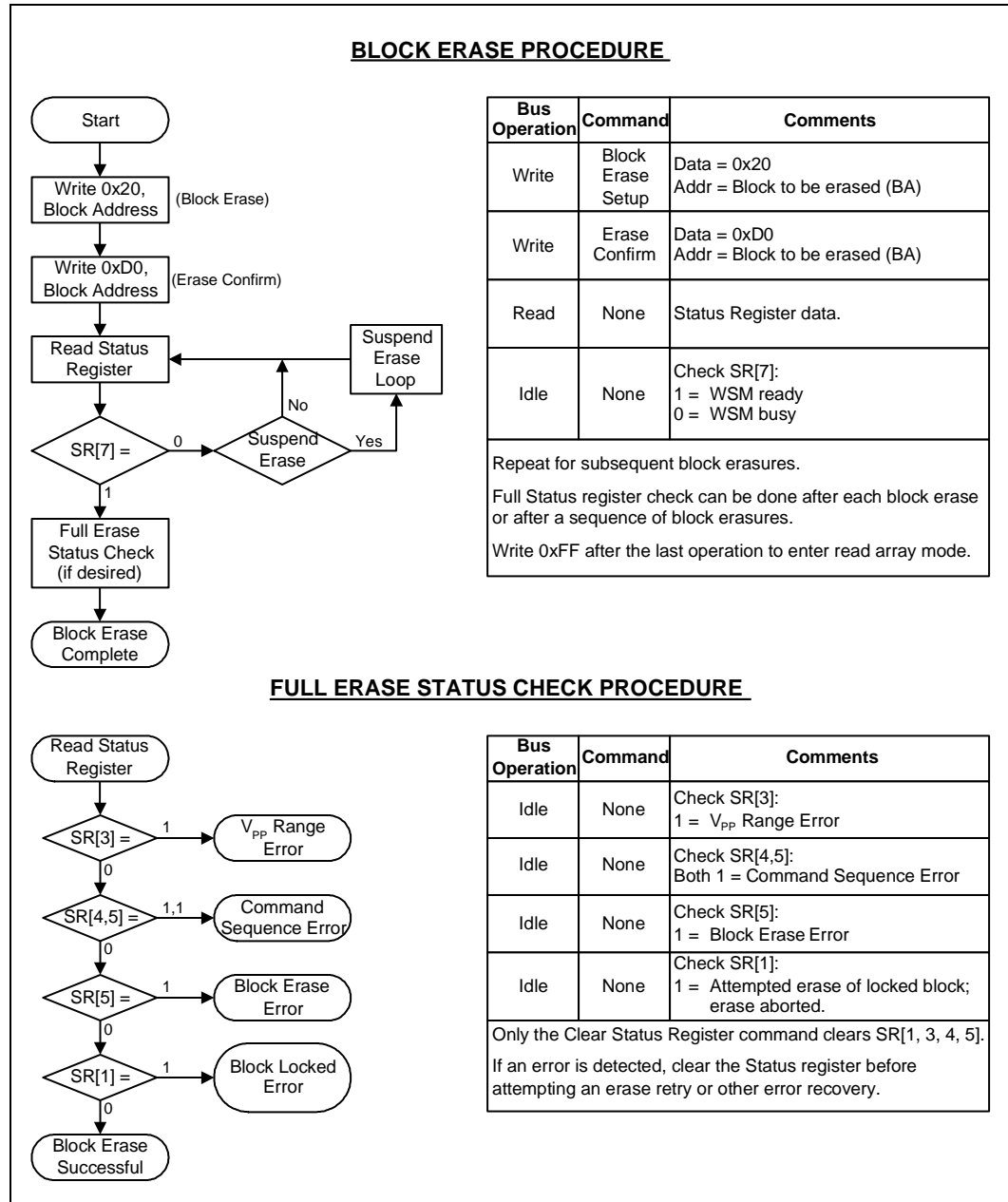


Figure 45. Erase Suspend/Resume Flowchart

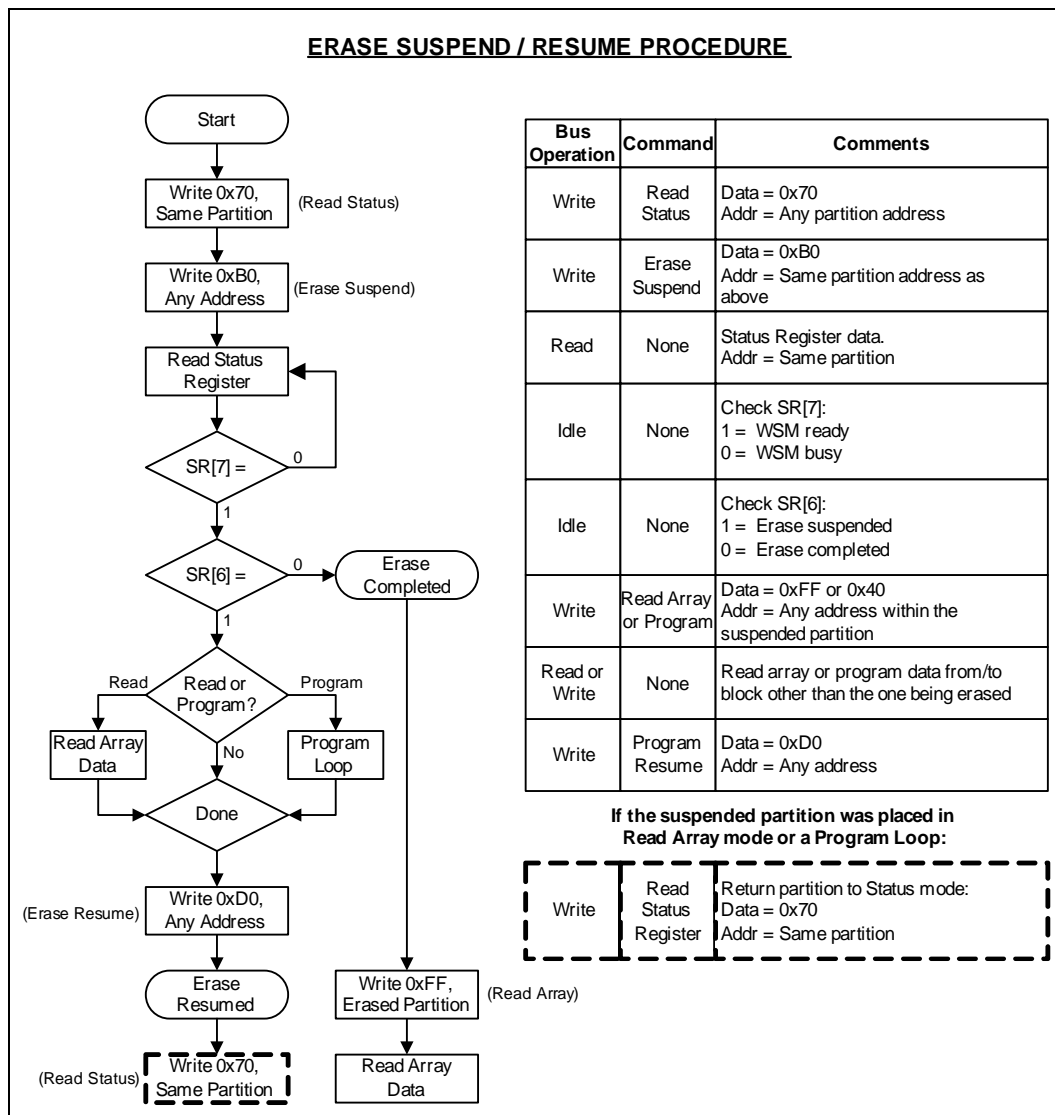


Figure 46. Block Lock Operations Flowchart

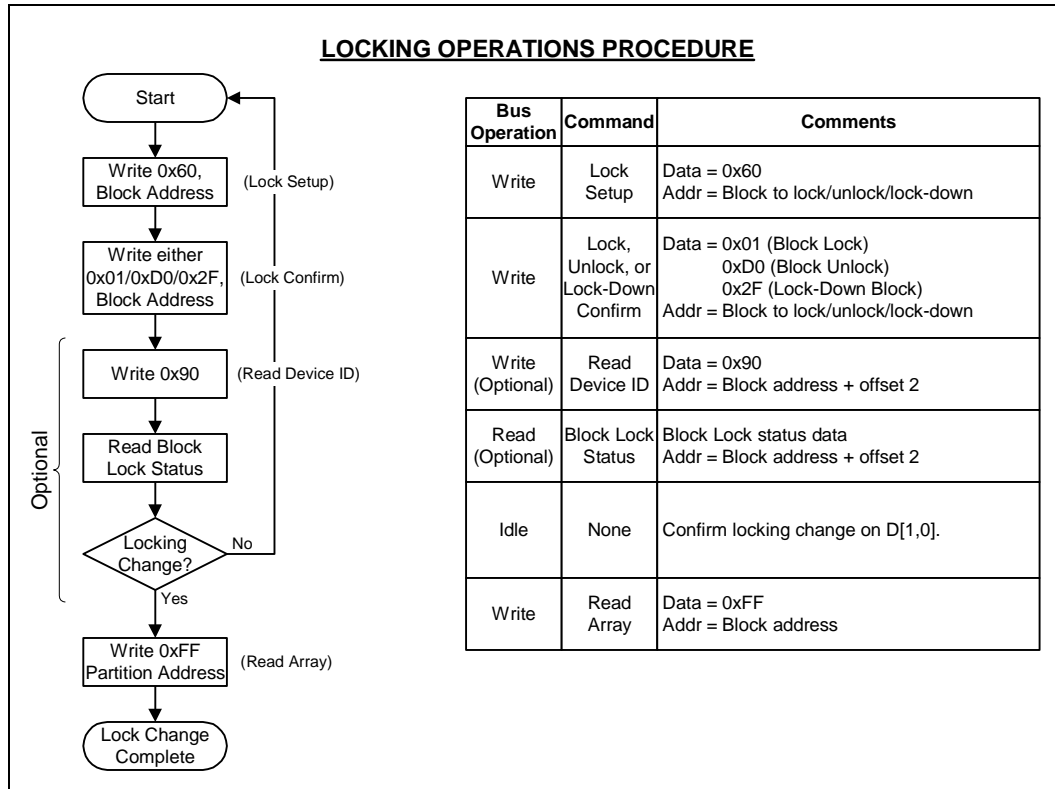
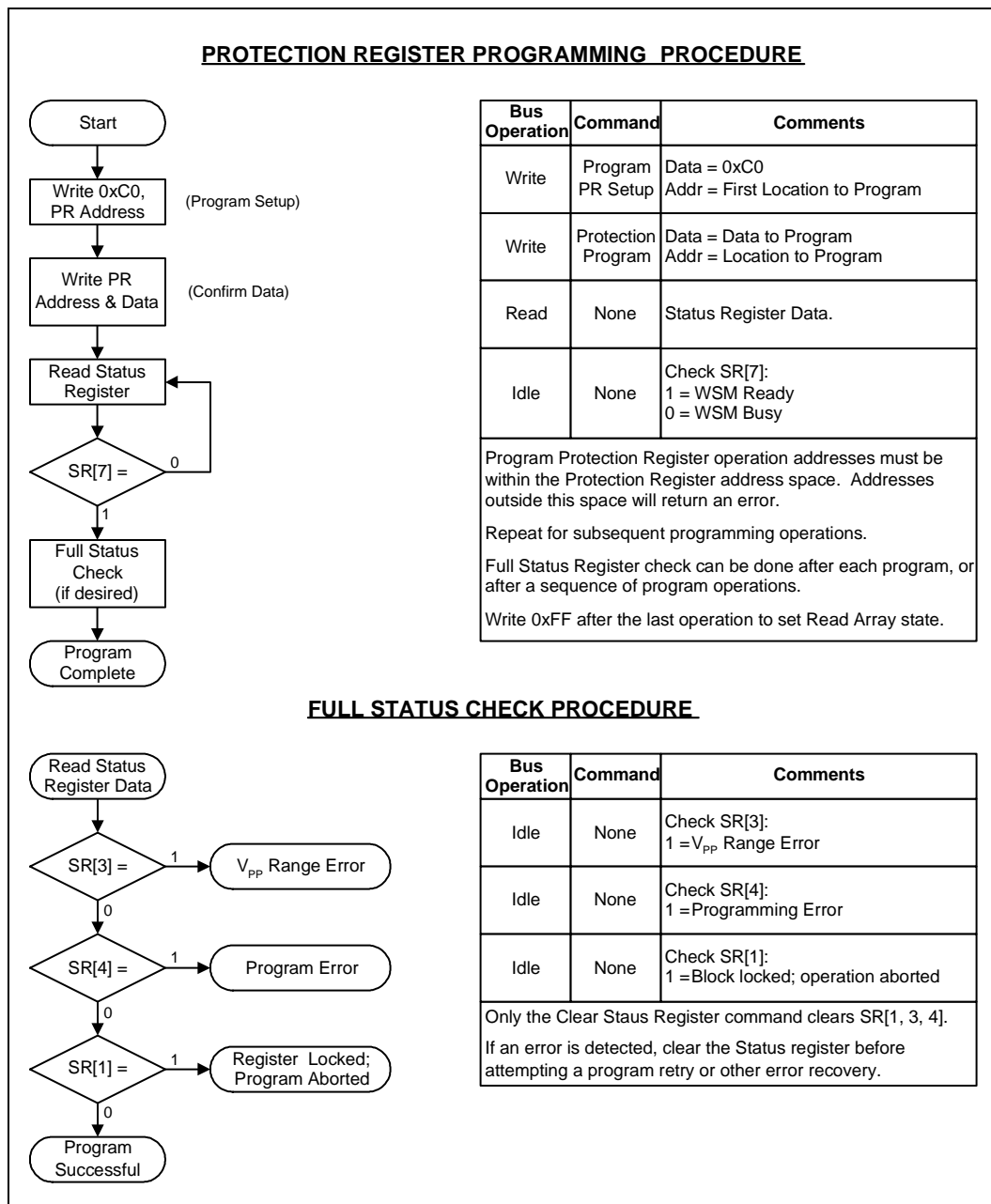


Figure 47. Protection Register Programming Flowchart



Appendix C Common Flash Interface

The Common Flash Interface (CFI) is part of an overall specification for multiple command-set and control-interface descriptions. This appendix describes the database structure containing the data returned by a read operation after issuing the CFI Query command (see [Section 9.2, “Device Commands” on page 50](#)). System software can parse this database structure to obtain information about the flash device, such as block size, density, bus width, and electrical specifications. The system software will then know which command set(s) to use to properly perform flash writes, block erases, reads and otherwise control the flash device.

C.1 Query Structure Output

The Query database allows system software to obtain information for controlling the flash device. This section describes the device’s CFI-compliant interface that allows access to Query data.

Query data are presented on the lowest-order data outputs (DQ₇₋₀) only. The numerical offset value is the address relative to the maximum bus width supported by the device. On this family of devices, the Query table device starting address is a 10h, which is a word address for x16 devices.

For a word-wide (x16) device, the first two Query-structure bytes, ASCII “Q” and “R,” appear on the low byte at word addresses 10h and 11h. This CFI-compliant device outputs 00h data on upper bytes. The device outputs ASCII “Q” in the low byte (DQ₇₋₀) and 00h in the high byte (DQ₁₅₋₈).

At Query addresses containing two or more bytes of information, the least significant data byte is presented at the lower address, and the most significant data byte is presented at the higher address.

In all of the following tables, addresses and data are represented in hexadecimal notation, so the “h” suffix has been dropped. In addition, since the upper byte of word-wide devices is always “00h,” the leading “00” has been dropped from the table notation and only the lower byte value is shown. Any x16 device outputs can be assumed to have 00h on the upper byte in this mode.

Table 31. Summary of Query Structure Output as a Function of Device and Mode

Device	Hex Offset	Hex Code	ASCII Value
Device Addresses	00010:	51	“Q”
	00011:	52	“R”
	00012:	59	“Y”

Table 32. Example of Query Structure Output of x16- Devices

Word Addressing:			Byte Addressing:		
Offset	Hex Code	Value	Offset	Hex Code	Value
A _x -A ₀	D ₁₅ -D ₀		A _x -A ₀	D ₇ -D ₀	
00010h	0051	"Q"	00010h	51	"Q"
00011h	0052	"R"	00011h	52	"R"
00012h	0059	"Y"	00012h	59	"Y"
00013h	P_ID _{LO}	PrVendor	00013h	P_ID _{LO}	PrVendor
00014h	P_ID _{HI}	ID #	00014h	P_ID _{LO}	ID #
00015h	P _{LO}	PrVendor	00015h	P_ID _{HI}	ID #
00016h	P _{HI}	TblAdr	00016h
00017h	A_ID _{LO}	AltVendor	00017h		
00018h	A_ID _{HI}	ID #	00018h		
...		

C.2 Query Structure Overview

The Query command causes the flash component to display the Common Flash Interface (CFI) Query structure or “database.” The structure sub-sections and address locations are summarized below.

Table 33. Query Structure

Offset	Sub-Section Name	Description ⁽¹⁾
00001-Fh	Reserved	Reserved for vendor-specific information
00010h	CFI query identification string	Command set ID and vendor data offset
0001Bh	System interface information	Device timing & voltage information
00027h	Device geometry definition	Flash device layout
P ⁽³⁾	Primary Intel-specific Extended Query Table	Vendor-defined additional information specific

Notes:

1. Refer to the Query Structure Output section and offset 28h for the detailed definition of offset address as a function of device bus width and mode.
2. BA = Block Address beginning location (i.e., 08000h is block 1’s beginning location when the block size is 16-KWord).
3. Offset 15 defines “P” which points to the Primary Intel-specific Extended Query Table.

C.3 CFI Query Identification String

The Identification String provides verification that the component supports the Common Flash Interface specification. It also indicates the specification version and supported vendor-specified command set(s).

Table 34. CFI Identification

Offset	Length	Description	Add.	Hex Code	Value
10h	3	Query-unique ASCII string "QRY"	10:	--51	"Q"
			11:	--52	"R"
			12:	--59	"Y"
13h	2	Primary vendor command set and control interface ID code. 16-bit ID code for vendor-specified algorithms	13:	--01	
			14:	--00	
15h	2	Extended Query Table primary algorithm address	15:	--0A	
			16:	--01	
17h	2	Alternate vendor command set and control interface ID code. 0000h means no second vendor-specified algorithm exists	17:	--00	
			18:	--00	
19h	2	Secondary algorithm Extended Query Table address. 0000h means none exists	19:	--00	
			1A:	--00	

Table 35. System Interface Information

Offset	Length	Description	Add.	Hex Code	Value
1Bh	1	V _{CC} logic supply minimum program/erase voltage bits 0–3 BCD 100 mV bits 4–7 BCD volts	1B:	--17	1.7V
1Ch	1	V _{CC} logic supply maximum program/erase voltage bits 0–3 BCD 100 mV bits 4–7 BCD volts	1C:	--20	2.0V
1Dh	1	V _{PP} [programming] supply minimum program/erase voltage bits 0–3 BCD 100 mV bits 4–7 HEX volts	1D:	--85	8.5V
1Eh	1	V _{PP} [programming] supply maximum program/erase voltage bits 0–3 BCD 100 mV bits 4–7 HEX volts	1E:	--95	9.5V
1Fh	1	"n" such that typical single word program time-out = 2 ⁿ μ-sec	1F:	--08	256μs
20h	1	"n" such that typical max. buffer write time-out = 2 ⁿ μ-sec	20:	--09	512μs
21h	1	"n" such that typical block erase time-out = 2 ⁿ m-sec	21:	--0A	1s
22h	1	"n" such that typical full chip erase time-out = 2 ⁿ m-sec	22:	--00	NA
23h	1	"n" such that maximum word program time-out = 2 ⁿ times typical	23:	--01	512μs
24h	1	"n" such that maximum buffer write time-out = 2 ⁿ times typical	24:	--01	1024μs
25h	1	"n" such that maximum block erase time-out = 2 ⁿ times typical	25:	--02	4s
26h	1	"n" such that maximum chip erase time-out = 2 ⁿ times typical	26:	--00	NA

C.4 Device Geometry Definition

Table 36. Device Geometry Definition

Offset	Length	Description	Code																																		
27h	1	"n" such that device size = 2 ⁿ in number of bytes	27:	See table below																																	
28h	2	Flash device interface code assignment: "n" such that n+1 specifies the bit field that represents the flash device width capabilities as described in the table:	28:	--01	x16																																
		<table border="1" style="width: 100%; text-align: center;"> <tr> <td>7</td><td>6</td><td>5</td><td>4</td><td>3</td><td>2</td><td>1</td><td>0</td> </tr> <tr> <td>—</td><td>—</td><td>—</td><td>—</td><td>x64</td><td>x32</td><td>x16</td><td>x8</td> </tr> <tr> <td>15</td><td>14</td><td>13</td><td>12</td><td>11</td><td>10</td><td>9</td><td>8</td> </tr> <tr> <td>—</td><td>—</td><td>—</td><td>—</td><td>—</td><td>—</td><td>—</td><td>—</td> </tr> </table>				7	6	5	4	3	2	1	0	—	—	—	—	x64	x32	x16	x8	15	14	13	12	11	10	9	8	—	—	—	—	—	—	—	—
		7				6	5	4	3	2	1	0																									
		—				—	—	—	x64	x32	x16	x8																									
15	14	13	12	11	10	9	8																														
—	—	—	—	—	—	—	—																														
29:	--00																																				
2Ah	2	"n" such that maximum number of bytes in write buffer = 2 ⁿ	2A:	--06	64																																
			2B:	--00																																	
2Ch	1	Number of erase block regions (x) within device: 1. x = 0 means no erase blocking; the device erases in bulk 2. x specifies the number of device regions with one or more contiguous same-size erase blocks. 3. Symmetrically blocked partitions have one blocking region	2C:	See table below																																	
2Dh	4	Erase Block Region 1 Information bits 0–15 = y, y+1 = number of identical-size erase blocks bits 16–31 = z, region erase block(s) size are z x 256 bytes	2D:	See table below																																	
			2E:																																		
			2F:																																		
			30:																																		
31h	4	Erase Block Region 2 Information bits 0–15 = y, y+1 = number of identical-size erase blocks bits 16–31 = z, region erase block(s) size are z x 256 bytes	31:	See table below																																	
			32:																																		
			33:																																		
			34:																																		
35h	4	Reserved for future erase block region information	35:	See table below																																	
			36:																																		
			37:																																		
			38:																																		

Address	64-Mbit		128-Mbit		256-Mbit	
	–B	–T	–B	–T	–B	–T
27:	--17	--17	--18	--18	--19	--19
28:	--01	--01	--01	--01	--01	--01
29:	--00	--00	--00	--00	--00	--00
2A:	--06	--06	--06	--06	--06	--06
2B:	--00	--00	--00	--00	--00	--00
2C:	--02	--02	--02	--02	--02	--02
2D:	--03	--3E	--03	--7E	--03	--FE
2E:	--00	--00	--00	--00	--00	--00
2F:	--80	--00	--80	--00	--80	--00
30:	--00	--02	--00	--02	--00	--02
31:	--3E	--03	--7E	--03	--FE	--03
32:	--00	--00	--00	--00	--00	--00
33:	--00	--80	--00	--80	--00	--80
34:	--02	--00	--02	--00	--02	--00
35:	--00	--00	--00	--00	--00	--00
36:	--00	--00	--00	--00	--00	--00
37:	--00	--00	--00	--00	--00	--00
38:	--00	--00	--00	--00	--00	--00

C.5 Intel-Specific Extended Query Table

Table 37. Primary Vendor-Specific Extended Query

Offset ⁽¹⁾ P = 10Ah	Length	Description (Optional flash features and commands)	Add.	Hex Code	Value
(P+0)h	3	Primary extended query table	10A	--50	"P"
(P+1)h		Unique ASCII string "PR"	10B	--52	"R"
(P+2)h				10C	--49
(P+3)h	1	Major version number, ASCII	10D	--31	"1"
(P+4)h	1	Minor version number, ASCII	10E	--34	"4"
(P+5)h	4	Optional feature and command support (1=yes, 0=no)	10F	--E6	
(P+6)h		<i>bits 10–31 are reserved; undefined bits are "0." If bit 31 is</i>	110	--01	
(P+7)h		<i>"1" then another 31 bit field of Optional features follows at</i>	111	--00	
(P+8)h		<i>the end of the bit–30 field.</i>	112	--00	
		bit 0 Chip erase supported	bit 0 = 0		No
		bit 1 Suspend erase supported	bit 1 = 1		Yes
		bit 2 Suspend program supported	bit 2 = 1		Yes
		bit 3 Legacy lock/unlock supported	bit 3 = 0		No
		bit 4 Queued erase supported	bit 4 = 0		No
		bit 5 Instant individual block locking supported	bit 5 = 1		Yes
		bit 6 Protection bits supported	bit 6 = 1		Yes
		bit 7 Pagemode read supported	bit 7 = 1		Yes
		bit 8 Synchronous read supported	bit 8 = 1		Yes
		bit 9 Simultaneous operations supported	bit 9 = 0		No
	bit 10 Extended Flash Array Blocks supported	bit 10 = 0		No	
	bit 30 CFI Link(s) to follow	bit 30 = 0		No	
	bit 31 Another "Optional Features" field to follow	bit 31 = 0		No	
(P+9)h	1	Supported functions after suspend: read Array, Status, Query	113	--01	
		Other supported operations are: bits 1–7 reserved; undefined bits are "0" bit 0 Program supported after erase suspend			bit 0 = 1
(P+A)h	2	Block status register mask	114	--03	
(P+B)h		<i>bits 2–15 are Reserved; undefined bits are "0"</i>	115	--00	
		bit 0 Block Lock-Bit Status register active	bit 0 = 1		Yes
		bit 1 Block Lock-Dow n Bit Status active	bit 1 = 1		Yes
	bit 4 EFA Block Lock-Bit Status register active	bit 4 = 0		No	
	bit 5 EFA Block Lock-Dow n Bit Status active	bit 5 = 0		No	
(P+C)h	1	V _{CC} logic supply highest performance program/erase voltage bits 0–3 BCD value in 100 mV bits 4–7 BCD value in volts	116	--18	1.8V
(P+D)h	1	V _{PP} optimum program/erase supply voltage bits 0–3 BCD value in 100 mV bits 4–7 HEX value in volts	117	--90	9.0V

Table 38. Protection Register Information

Offset ⁽¹⁾ P = 10Ah	Length	Description (Optional flash features and commands)	Add.	Hex Code	Value
(P+E)h	1	Number of Protection register fields in JEDEC ID space. "00h," indicates that 256 protection fields are available	118:	--02	2
(P+F)h (P+10)h (P+11)h (P+12)h	4	Protection Field 1: Protection Description This field describes user-available One Time Programmable (OTP) Protection register bytes. Some are pre-programmed with device-unique serial numbers. Others are user programmable. Bits 0–15 point to the Protection register Lock byte, the section's first byte. The following bytes are factory pre-programmed and user-programmable. bits 0–7 = Lock/bytes Jedec-plane physical low address bits 8–15 = Lock/bytes Jedec-plane physical high address bits 16–23 = "n" such that 2 ⁿ = factory pre-programmed bytes bits 24–31 = "n" such that 2 ⁿ = user programmable bytes	119: 11A: 11B: 11C:	--80 --00 --03 --03	80h 00h 8 byte 8 byte
(P+13)h (P+14)h (P+15)h (P+16)h (P+17)h (P+18)h (P+19)h (P+1A)h (P+1B)h (P+1C)h	10	Protection Field 2: Protection Description Bits 0–31 point to the Protection register physical Lock-word address in the Jedec-plane. Following bytes are factory or user-programmable. bits 32–39 = "n" ∴ n = factory pgm'd groups (low byte) bits 40–47 = "n" ∴ n = factory pgm'd groups (high byte) bits 48–55 = "n" \ 2n = factory programmable bytes/group bits 56–63 = "n" ∴ n = user pgm'd groups (low byte) bits 64–71 = "n" ∴ n = user pgm'd groups (high byte) bits 72–79 = "n" ∴ 2 ⁿ = user programmable bytes/group	11D: 11E: 11F: 120: 121: 122: 123: 124: 125: 126:	--89 --00 --00 --00 --00 --00 --00 --10 --00 --04	89h 00h 00h 00h 0 0 0 16 0 16

Table 39. Burst Read Information

Offset ⁽¹⁾ P = 10Ah	Length	Description (Optional flash features and commands)	Add.	Hex Code	Value
(P+1D)h	1	Page Mode Read capability bits 0–7 = "n" such that 2 ⁿ HEX value represents the number of read-page bytes. See offset 28h for device word width to determine page-mode data output width. 00h indicates no read page buffer.	127:	--03	8 byte
(P+1E)h	1	Number of synchronous mode read configuration fields that follow. 00h indicates no burst capability.	128:	--04	4
(P+1F)h	1	Synchronous mode read capability configuration 1 Bits 3–7 = Reserved bits 0–2 "n" such that 2 ⁿ⁺¹ HEX value represents the maximum number of continuous synchronous reads when the device is configured for its maximum word width. A value of 07h indicates that the device is capable of continuous linear bursts that will output data until the internal burst counter reaches the end of the device's burstable address space. This field's 3-bit value can be written directly to the Read Configuration Register bits 0–2 if the device is configured for its maximum word width. See offset 28h for word width to determine the burst data output width.	129:	--01	4
(P+20)h	1	Synchronous mode read capability configuration 2	12A:	--02	8
(P+21)h	1	Synchronous mode read capability configuration 3	12B:	--03	16
(P+22)h	1	Synchronous mode read capability configuration 4	12C:	--07	Cont

Table 40. Partition and Erase-block Region Information

Offset ⁽¹⁾ P= 10Ah		Description (Optional flash features and commands)	Add.	Hex Code	Value
Bottom	Top				
(P+23)h	(P+23)h	Number of device hardware-partition regions within the device. x = 0: a single hardware partition device (no fields follow). x specifies the number of device partition regions containing one or more contiguous erase block regions.	12D:	--00	0

Appendix D Additional Information

Order/Document Number	Document/Tool
290667	Intel StrataFlash [®] Memory (J3) Datasheet
290737	Intel StrataFlash [®] Synchronous Memory (K3/K18) Datasheet
290701	Intel [®] Wireless Flash Memory (W18) Datasheet
290702	Intel [®] Wireless Flash Memory (W30) Datasheet
252802	Intel [®] Flash Memory Design for a Stacked Chip Scale Package (SCSP)
298161	Intel [®] Flash Memory Chip Scale Package User's Guide
253418	Intel [®] Wireless Communications and Computing Package User's Guide
296514	Intel [®] Small Outline Package Guide
297833	Intel [®] Flash Data Integrator (FDI) User's Guide
298136	Intel [®] Persistent Storage Manager User Guide
300783	Using Intel [®] Flash Memory: Asynchronous Page Mode and Synchronous Burst Mode
306667	Migration Guide for Intel StrataFlash [®] Memory (J3) to Intel StrataFlash [®] Embedded Memory (P30) Application Note 812
306668	Migration Guide for Spansion [*] S29GLxxxN to Intel StrataFlash [®] Embedded Memory (P30) Application Note 813
306669	Migration Guide for Intel StrataFlash [®] Synchronous Memory (K3/K18) to Intel StrataFlash [®] Embedded Memory (P30) Application Note 825

Notes:

1. Please call the Intel Literature Center at (800) 548-4725 to request Intel documentation. International customers should contact their local Intel or distribution sales office.
2. Visit Intel's World Wide Web home page at <http://www.intel.com> for technical documentation and tools.
3. For the most current information on Intel[®] Flash Memory, visit our website at <http://developer.intel.com/design/flash>.

Appendix E Ordering Information for Discrete Products

Figure 48. Decoder for Discrete Intel StrataFlash® Embedded Memory (P30)

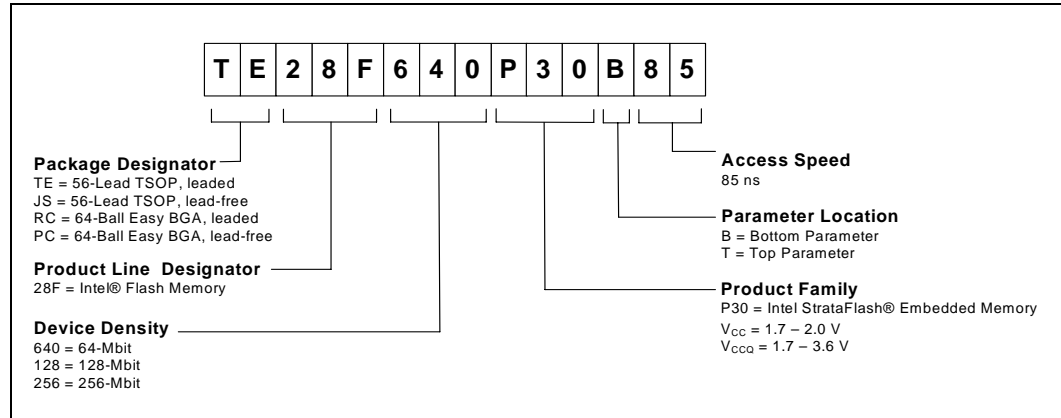


Table 41. Valid Combinations for Discrete Products

64-Mbit	128-Mbit	256-Mbit
TE28F640P30B85	TE28F128P30B85	TE28F256P30B85
TE28F640P30T85	TE28F128P30T85	TE28F256P30T85
JS28F640P30B85	JS28F128P30B85	JS28F256P30B85
JS28F640P30T85	JS28F128P30T85	JS28F256P30T85
RC28F640P30B85	RC28F128P30B85	RC28F256P30B85
RC28F640P30T85	RC28F128P30T85	RC28F256P30T85
PC28F640P30B85	PC28F128P30B85	PC28F256P30B85
PC28F640P30T85	PC28F128P30T85	PC28F256P30T85

Appendix F Ordering Information for SCSP Products

Figure 49. Decoder for SCSP Intel StrataFlash® Embedded Memory (P30)

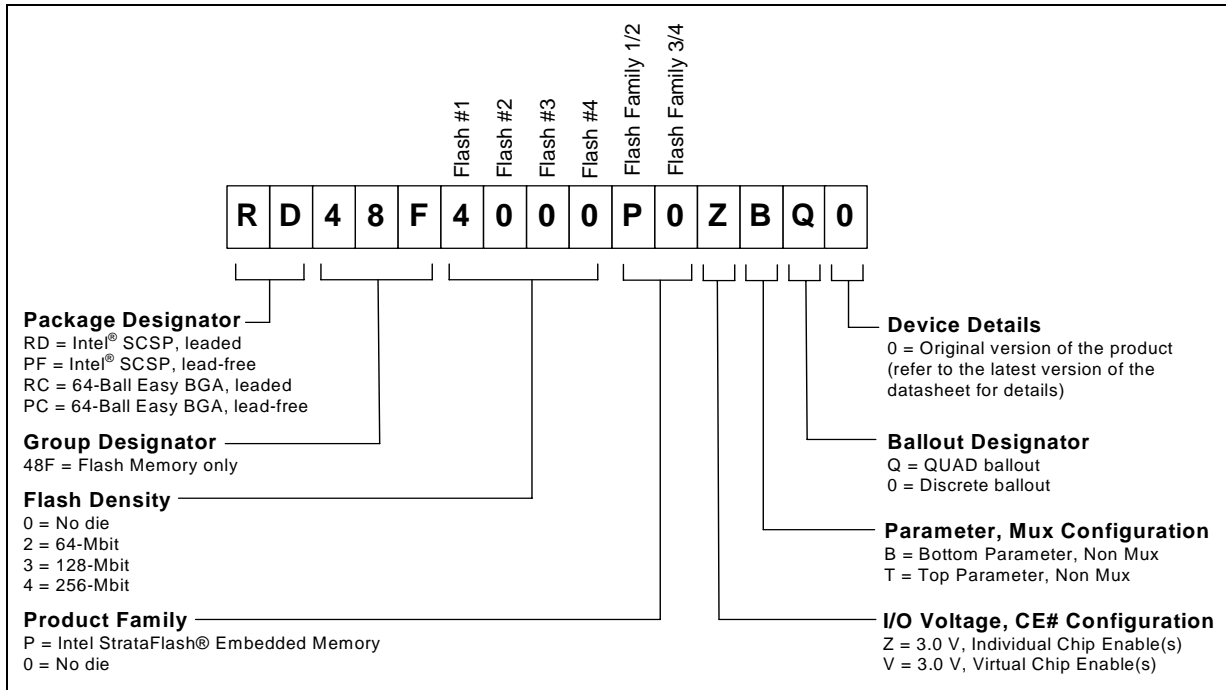


Table 42. Valid Combinations for Stacked Products

64-Mbit	128-Mbit	256-Mbit	512-Mbit	1-Gbit
RD48F2000P0ZBQ0	RD48F3000P0ZBQ0	RD48F4000P0ZBQ0	RD48F4400P0VBQ0	RD48F4444PPVBQ0
RD48F2000P0ZTQ0	RD48F3000P0ZTQ0	RD48F4000P0ZTQ0	RD48F4400P0VTQ0	RD48F4444PPVTQ0
PF48F2000P0ZBQ0	PF48F3000P0ZBQ0	PF48F4000P0ZBQ0	PF48F4400P0VBQ0	PF48F4444PPVBQ0
PF48F2000P0ZTQ0	PF48F3000P0ZTQ0	PF48F4000P0ZTQ0	PF48F4400P0VTQ0	PF48F4444PPVTQ0
			RC48F4400P0VB00	
			RC48F4400P0VT00	
			PC48F4400P0VB00	
			PC48F4400P0VT00	