

## Features

- 16-megabit (x16) Flash and 2-megabit/4-megabit SRAM
- 2.7V to 3.3V Operating Voltage
- Low Operating Power
  - 40 mA Operating Current (Maximum)
  - 50  $\mu$ A Standby Current (Maximum)
- Industrial Temperature Range

## Flash

- 2.7V to 3.3V Read/Write
- Access Time – 70 ns, 90 ns
- Sector Erase Architecture
  - Thirty-one 32K Word (64K Byte) Sectors with Individual Write Lockout
  - Eight 4K Word (8K Byte) Sectors with Individual Write Lockout
- Fast Word Program Time – 20  $\mu$ s
- Fast Sector Erase Time – 300 ms
- Suspend/Resume Feature for Erase and Program
  - Supports Reading and Programming from Any Sector by Suspending Erase of a Different Sector
  - Supports Reading Any Word by Suspending Programming of Any Other Word
- Low-power Operation
  - 30 mA Active
  - 10  $\mu$ A Standby
- Data Polling, Toggle Bit, Ready/Busy for End of Program Detection
- VPP Pin for Write Protection and Accelerated Program/Erase Operations
- **RESET** Input for Device Initialization
- Sector Lockdown Support
- Top/Bottom Boot Block Configuration
- 128-bit Protection Register

## SRAM

- 2-megabit (128K x 16)/4-megabit (256K x 16)
- 2.7V to 3.3V  $V_{CC}$  Operating Voltage
- 70 ns Access Time
- Fully Static Operation and Tri-state Output
- 1.2V (Min) Data Retention

Device Number	Flash Configuration	SRAM Configuration
AT52BR1662(T)	16M (1M x 16)	2M (128K x 16)
AT52BR1664(T)	16M (1M x 16)	4M (256K x 16)



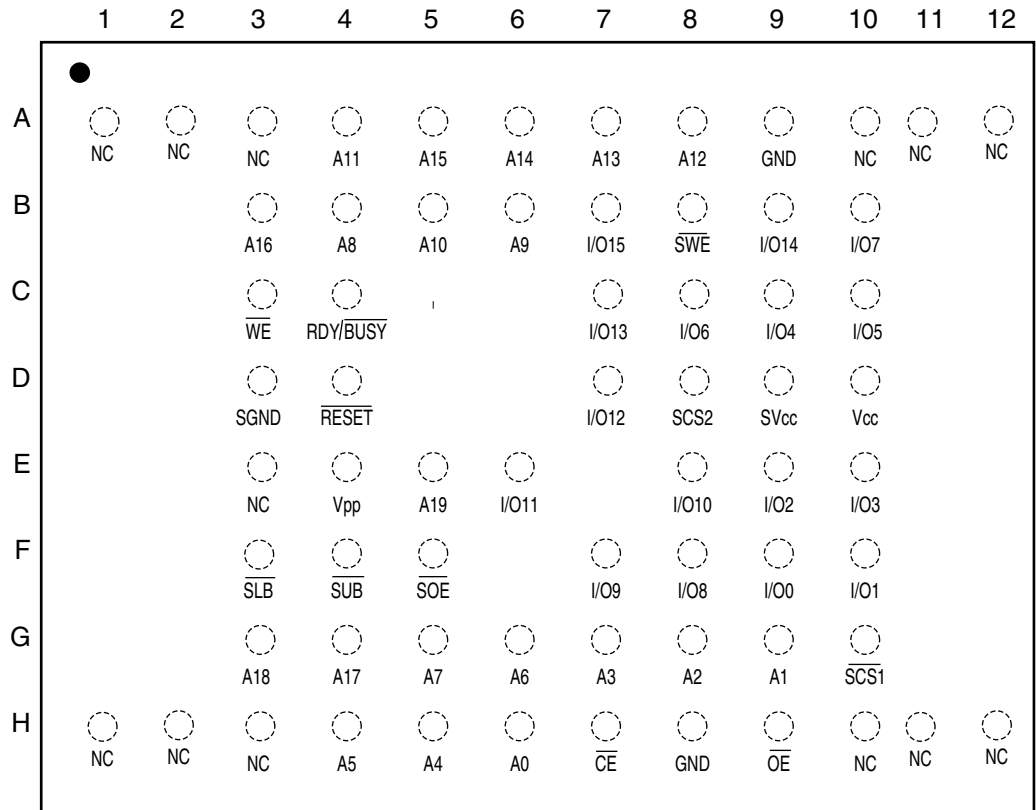
**16-megabit  
Flash +  
2-megabit/  
4-megabit  
SRAM Stack  
Memory**

**AT52BR1662(T)  
AT52BR1664(T)**

Rev. 2212C–STKD–09/02



## CBGA Top View



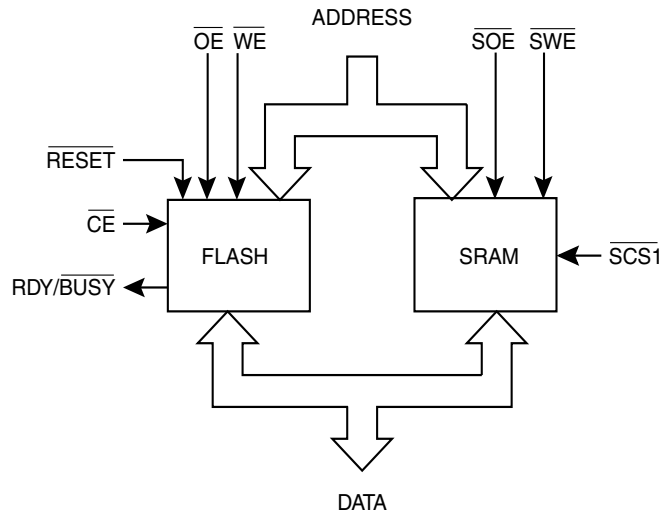
## Pin Configurations

Pin Name	Function
A0 - A16	Flash/SRAM Common Address Input for 2M SRAM
A0 - A17	Flash/SRAM Common Address Input for 4M SRAM
A18 - A19	Flash Address Input
$\overline{\text{CE}}$	Flash Chip Enable
$\overline{\text{OE/SOE}}$	Flash/SRAM, Output Enable
$\overline{\text{WE/SWE}}$	Flash/SRAM, Write Enable
VCC	Flash Power Supply
VPP	Optional Flash Power Supply for Faster Program/Erase Operations
I/O0-I/O15	Data Inputs/Outputs
$\overline{\text{SCS1}}, \overline{\text{SCS2}}$	SRAM Chip Select
$\overline{\text{RDY/BUSY}}$	Flash Ready/Busy Output
SVCC	SRAM Power Supply
GND/SGND	Flash/SRAM GND
$\overline{\text{SUB}}$	SRAM Upper Byte
$\overline{\text{SLB}}$	SRAM Lower Byte
NC	No Connect
$\overline{\text{RESET}}$	Flash Reset

## Description

The AT52BR1662(T) combines a single plane 16-megabit Flash and a 2-megabit SRAM in a stacked 66-ball CBGA package; while the AT52BR1664(T) combines a single plane 16-megabit Flash and a 4-megabit SRAM in a stacked 66-ball CBGA package. Both devices operate at 2.7V to 3.3V in the industrial temperature range.

## Block Diagram



## Absolute Maximum Ratings

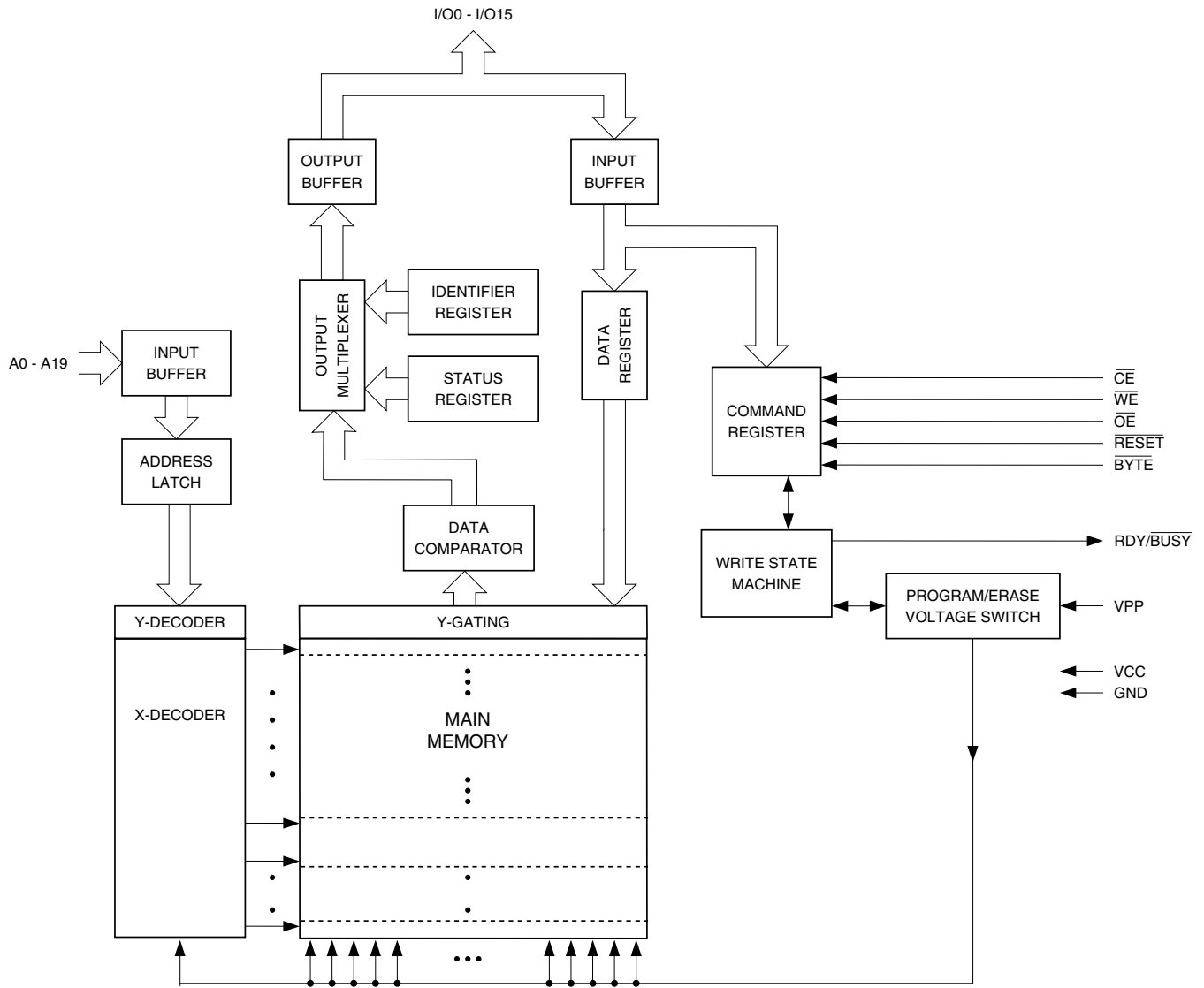
Temperature under Bias .....	-40°C to +85°C
Storage Temperature .....	-55°C to +150°C
All Input Voltages except $V_{PP}$ and $\overline{RESET}$ (including NC Pins) with Respect to Ground .....	-0.2V to +3.3V
Voltage on $V_{PP}$ with Respect to Ground .....	-0.2V to + 6.25V
Voltage on $\overline{RESET}$ with Respect to Ground .....	-0.2V to +13.5V
All Output Voltages with Respect to Ground .....	-0.2V to +0.2V

**\*NOTICE:** Stresses beyond those listed under “Absolute Maximum Ratings” may cause permanent damage to the device. This is a stress rating only and functional operation of the device at these or any other conditions beyond those indicated in the operational sections of this specification is not implied. Exposure to absolute maximum rating conditions for extended periods may affect device reliability.

## DC and AC Operating Range

		AT52BR1662(T)/1664(T)-70, -90
Operating Temperature (Case)	Industrial	-40°C - 85°C
$V_{CC}$ Power Supply		2.7V to 3.3V

# 16-megabit Flash Memory Block Diagram



## 16-megabit Flash Description

The 16-megabit Flash memory is organized as 1,048,576 words of 16 bits each. The x16 data appears on I/O0 - I/O15. The memory is divided into 39 sectors for erase operations. The device has  $\overline{CE}$  and  $\overline{OE}$  control signals to avoid any bus contention. This device can be read or reprogrammed using a single 2.7V power supply, making it ideally suited for in-system programming.

The device powers on in the read mode. Command sequences are used to place the device in other operation modes such as program and erase. The device has the capability to protect the data in any sector. (See "Sector Lockdown" section.)

To increase the flexibility of the device, it contains an Erase Suspend and Program Suspend feature. This feature will put the Erase or Program on hold for any amount of time and let the user read data from or program data to any of the remaining sectors within the memory. The end of a program or an erase cycle is detected by the Ready/Busy pin,  $\overline{Data}$  Polling or by the toggle bit.

The VPP pin provides data protection and faster programming. When the  $V_{PP}$  input is below 0.8V, the program and erase functions are inhibited. When  $V_{PP}$  is at 1.65V or above, normal program and erase operations can be performed. With  $V_{PP}$  at 5.0V or 12.0V, the program and erase operations are accelerated.

A six-byte command (Enter Single Pulse Program Mode) sequence to remove the requirement of entering the three-byte program sequence is offered to further improve programming time. After entering the six-byte code, only single pulses on the write control lines are required for writing into the device. This mode (Single Pulse Word Program) is exited by powering down the device, or by pulsing the  $\overline{RESET}$  pin low for a minimum of 500 ns and then bringing it back to  $V_{CC}$ . Erase, Erase Suspend/Resume, and Program Suspend/Resume commands will not work while in this mode; if entered, they will result in data being programmed into the device. It is not recommended that the six-byte code reside in the software of the final product but only exist in external programming code.

## Device Operation

**READ:** The 16-megabit Flash is accessed like an EPROM. When  $\overline{CE}$  and  $\overline{OE}$  are low and  $\overline{WE}$  is high, the data stored at the memory location determined by the address pins are asserted on the outputs. The outputs are put in the high-impedance state whenever  $\overline{CE}$  or  $\overline{OE}$  is high. This dual-line control gives designers flexibility in preventing bus contention.

**COMMAND SEQUENCES:** When the device is first powered on, it will be reset to the read or standby mode, depending upon the state of the control line inputs. In order to perform other device functions, a series of command sequences are entered into the device. The command sequences are shown in the "Command Definition in Hex" table on page 13 (I/O8 - I/O15 are don't care inputs for the command codes). The command sequences are written by applying a low pulse on the  $\overline{WE}$  or  $\overline{CE}$  input with  $\overline{CE}$  or  $\overline{WE}$  low (respectively) and  $\overline{OE}$  high. The address is latched on the falling edge of  $\overline{CE}$  or  $\overline{WE}$ , whichever occurs last. The data is latched by the first rising edge of  $\overline{CE}$  or  $\overline{WE}$ . Standard microprocessor write timings are used. The address locations used in the command sequences are not affected by entering the command sequences.

**RESET:** A  $\overline{RESET}$  input pin is provided to ease some system applications. When  $\overline{RESET}$  is at a logic high level, the device is in its standard operating mode. A low level on the  $\overline{RESET}$  input halts the present device operation and puts the outputs of the device in a high-impedance state. When a high level is reasserted on the  $\overline{RESET}$  pin, the device returns to the read or standby mode, depending upon the state of the control inputs.

**ERASURE:** Before a word can be reprogrammed, it must be erased. The erased state of memory bits is a logical "1". The entire device can be erased by using the Chip Erase command or individual sectors can be erased by using the Sector Erase command.

**CHIP ERASE:** The entire device can be erased at one time by using the six-byte chip erase software code. After the chip erase has been initiated, the device will internally time the erase operation so that no external clocks are required. The maximum time to erase the chip is  $t_{EC}$ .

If the sector lockdown has been enabled, the chip erase will not erase the data in the sector that has been locked out; it will erase only the unprotected sectors. After the chip erase, the device will return to the read or standby mode.

**SECTOR ERASE:** As an alternative to a full chip erase, the device is organized into 39 sectors (SA0 - SA38) that can be individually erased. The Sector Erase command is a six-bus cycle operation. The sector address is latched on the falling  $\overline{WE}$  edge of the sixth cycle while the 30H data input command is latched on the rising edge of  $\overline{WE}$ . The sector erase starts after the rising edge of  $\overline{WE}$  of the sixth cycle. The erase operation is internally controlled; it will automatically time to completion. The maximum time to erase a sector is  $t_{SEC}$ . When the sector programming lockdown feature is not enabled, the sector will erase (from the same Sector Erase command). An attempt to erase a sector that has been protected will result in the operation terminating in 2  $\mu$ s.

**WORD PROGRAMMING:** Once a memory block is erased, it is programmed (to a logical “0”) on a word-by-word basis. Programming is accomplished via the internal device command register and is a four-bus cycle operation. The device will automatically generate the required internal program pulses.

Any commands written to the chip during the embedded programming cycle will be ignored. If a hardware reset happens during programming, the data at the location being programmed will be corrupted. Please note that a data “0” cannot be programmed back to a “1”; only erase operations can convert “0”s to “1”s. Programming is completed after the specified  $t_{BP}$  cycle time. The Data Polling feature or the Toggle Bit feature may be used to indicate the end of a program cycle. If the erase/program status bit is a “1”, the device was not able to verify that the erase or program operation was performed successfully.

**VPP PIN:** The circuitry of the 16-megabit Flash is designed so that the device can be programmed or erased from the  $V_{CC}$  power supply or from the VPP input pin. When  $V_{PP}$  is greater than 1.65V and less than or equal to the  $V_{CC}$  pin, the device selects the  $V_{CC}$  supply for programming and erase operations. When the VPP pin is greater than the  $V_{CC}$  supply, the device will select the  $V_{PP}$  input as the power supply for programming and erase operations. The device will allow for some variations between the  $V_{PP}$  input and the  $V_{CC}$  power supply in its selection of  $V_{CC}$  or  $V_{PP}$  for program or erase operations. If the VPP pin is within 0.3V of  $V_{CC}$  for  $2.7V < V_{CC} < 3.6V$ , then the program or erase operations will use  $V_{CC}$  and disregard the  $V_{PP}$  input signal. When the  $V_{PP}$  signal is used for program and erase operations, the  $V_{PP}$  must be in the  $5V \pm 0.5V$  or  $12V \pm 0.5V$  range to ensure proper operation. The  $V_{pp}$  pin cannot be left floating.

**PROGRAM/ERASE STATUS:** The device provides several bits to determine the status of a program or erase operation: I/O2, I/O3, I/O5, I/O6 and I/O7. The “Status Bit Table” on page 12 and the following four sections describe the function of these bits. To provide greater flexibility for system designers, the 16-megabit Flash contains a programmable configuration register. The configuration register allows the user to specify the status bit operation. The configuration register can be set to one of two different values, “00” or “01”. If the configuration register is set to “00”, the part will automatically return to the read mode after a successful program or erase operation. If the configuration register is set to a “01”, a Product ID Exit command must be given after a successful program or erase operation before the part will return to the read mode. It is important to note that whether the configuration register is set to a “00” or to a “01”, any unsuccessful program or erase operation requires using the Product ID Exit command to return the device to read mode. The default value (after power-up) for the configuration register is “00”. Using the four-bus cycle Set Configuration Register command as shown in the “Command Definition in Hex” table on page 13, the value of the configuration register can be

changed. Voltages applied to the  $\overline{\text{RESET}}$  pin will not alter the value of the configuration register. The value of the configuration register will affect the operation of the I/O7 status bit as described below.

**DATA POLLING:** The 16-megabit features  $\overline{\text{Data}}$  Polling to indicate the end of a program cycle. If the status configuration register is set to a “00”, during a program cycle an attempted read of the last word loaded will result in the complement of the loaded data on I/O7. Once the program cycle has been completed, true data is valid on all outputs and the next cycle may begin. During a chip or sector erase operation, an attempt to read the device will give a “0” on I/O7. Once the program or erase cycle has completed, true data will be read from the device.  $\overline{\text{Data}}$  Polling may begin at any time during the program cycle. Please see “Status Bit Table” on page 12 for more details.

If the status bit configuration register is set to a “01”, the I/O7 status bit will be low while the device is actively programming or erasing data. I/O7 will go high when the device has completed a program or erase operation. Once I/O7 has gone high, status information on the other pins can be checked.

The  $\overline{\text{Data}}$  Polling status bit must be used in conjunction with the erase/program and  $V_{\text{PP}}$  status bit as shown in the algorithm in Figures 1 and 2 on page 10.

**TOGGLE BIT:** In addition to  $\overline{\text{Data}}$  Polling, the 16-megabit Flash provides another method for determining the end of a program or erase cycle. During a program or erase operation, successive attempts to read data from the memory will result in I/O6 toggling between one and zero. Once the program cycle has completed, I/O6 will stop toggling and valid data will be read. Examining the toggle bit may begin at any time during a program cycle. Please see “Status Bit Table” on page 12 for more details.

The toggle bit status bit should be used in conjunction with the erase/program and  $V_{\text{PP}}$  status bit as shown in the algorithm in Figures 3 and 4 on page 11.

**ERASE/PROGRAM STATUS BIT:** The device offers a status bit on I/O5, which indicates whether the program or erase operation has exceeded a specified internal pulse count limit. If the status bit is a “1”, the device is unable to verify that an erase or a word program operation has been successfully performed. The device may also output a “1” on I/O5 if the system tries to program a “1” to a location that was previously programmed to a “0”. Only an erase operation can change a “0” back to a “1”. If a program (Sector Erase) command is issued to a protected sector, the protected sector will not be programmed (erased). The device will go to a status read mode and the I/O5 status bit will be set high, indicating the program (erase) operation did not complete as requested. Once the erase/program status bit has been set to a “1”, the system must write the Product ID Exit command to return to the read mode. The erase/program status bit is a “0” while the erase or program operation is still in progress. Please see “Status Bit Table” on page 12 for more details.

**$V_{\text{PP}}$  STATUS BIT:** The 16-megabit Flash provides a status bit on I/O3, which provides information regarding the voltage level of the VPP pin. During a program or erase operation, if the voltage on the VPP pin is not high enough to perform the desired operation successfully, the I/O3 status bit will be a “1”. Once the  $V_{\text{PP}}$  status bit has been set to a “1”, the system must write the Product ID Exit command to return to the read mode. On the other hand, if the voltage level is high enough to perform a program or erase operation successfully, the  $V_{\text{PP}}$  status bit will output a “0”. Please see “Status Bit Table” on page 12 for more details.

**SECTOR LOCKDOWN:** Each sector has a programming lockdown feature. This feature prevents programming of data in the designated sectors once the feature has been enabled. These sectors can contain secure code that is used to bring up the system. Enabling the lockdown feature will allow the boot code to stay in the device while data in the rest of the device is updated. This feature does not have to be activated; any sector’s usage as a write-protected region is optional to the user.

At power-up or reset, all sectors are unlocked. To activate the lockdown for a specific sector, the six-bus cycle Sector Lockdown command must be issued. Once a sector has been locked down, the contents of the sector is read-only and cannot be erased or programmed.

**SECTOR LOCKDOWN DETECTION:** A software method is available to determine if programming of a sector is locked down. When the device is in the software product identification mode (see “Software Product Identification Entry/Exit” sections on page 24), a read from address location 00002H within a sector will show if programming the sector is locked down. If the data on I/O0 is low, the sector can be programmed; if the data on I/O0 is high, the program lockdown feature has been enabled and the sector cannot be programmed. The software product identification exit code should be used to return to standard operation.

**SECTOR LOCKDOWN OVERRIDE:** The only way to unlock a sector that is locked down is through reset or power-up cycles. After power-up or reset, the content of a sector that is locked down can be erased and reprogrammed.

**ERASE SUSPEND/ERASE RESUME:** The Erase Suspend command allows the system to interrupt a sector erase or chip erase operation and then program or read data from a different sector within the memory. After the Erase Suspend command is given, the device requires a maximum time of 15  $\mu$ s to suspend the erase operation. After the erase operation has been suspended, the system can then read data or program data to any other sector within the device. An address is not required during the Erase Suspend command. During a sector erase suspend, another sector cannot be erased. To resume the sector erase operation, the system must write the Erase Resume command. The Erase Resume command is a one-bus cycle command. The device also supports an erase suspend during a complete chip erase. While the chip erase is suspended, the user can read from any sector within the memory that is protected. The command sequence for a chip erase suspend and a sector erase suspend are the same.

**PROGRAM SUSPEND/PROGRAM RESUME:** The Program Suspend command allows the system to interrupt a programming operation and then read data from a different word within the memory. After the Program Suspend command is given, the device requires a maximum of 15  $\mu$ s to suspend the programming operation. After the programming operation has been suspended, the system can then read data from any other word within the device. An address is not required during the program suspend operation. To resume the programming operation, the system must write the Program Resume command. The program suspend and resume are one-bus cycle commands. The command sequence for the erase suspend and program suspend are the same, and the command sequence for the erase resume and program resume are the same.

**PRODUCT IDENTIFICATION:** The product identification mode identifies the device and manufacturer as Atmel. It may be accessed by hardware or software operation. The hardware operation mode can be used by an external programmer to identify the correct programming algorithm for the Atmel product.

For details, see “Operating Modes” on page 17 (for hardware operation) or “Software Product Identification Entry/Exit” on page 24. The manufacturer and device codes are the same for both modes.

**128-BIT PROTECTION REGISTER:** The 16-megabit Flash contains a 128-bit register that can be used for security purposes in system design. The protection register is divided into two 64-bit blocks. The two blocks are designated as block A and block B. The data in block A is non-changeable and is programmed at the factory with a unique number. The data in block B is programmed by the user and can be locked out such that data in the block cannot be reprogrammed. To program block B in the protection register, the four-bus cycle Program Protection Register command must be used as shown in the “Command Definition in Hex” table on page 13. To lock out block B, the four-bus cycle Lock Protection Register command



must be used as shown in the “Command Definition in Hex” table on page 13. Data bit D1 must be zero during the fourth bus cycle. All other data bits during the fourth bus cycle are don't cares. To determine whether block B is locked out, the Product ID Entry command is given followed by a read operation from address 80H. If data bit D1 is zero, block B is locked. If data bit D1 is one, block B can be reprogrammed. Please see the “Protection Register Addressing Table” on page 14 for the address locations in the protection register. To read the protection register, the Product ID Entry command is given followed by a normal read operation from an address within the protection register. After determining whether block B is protected or not, or reading the protection register, the Product ID Exit command must be given prior to performing any other operation.

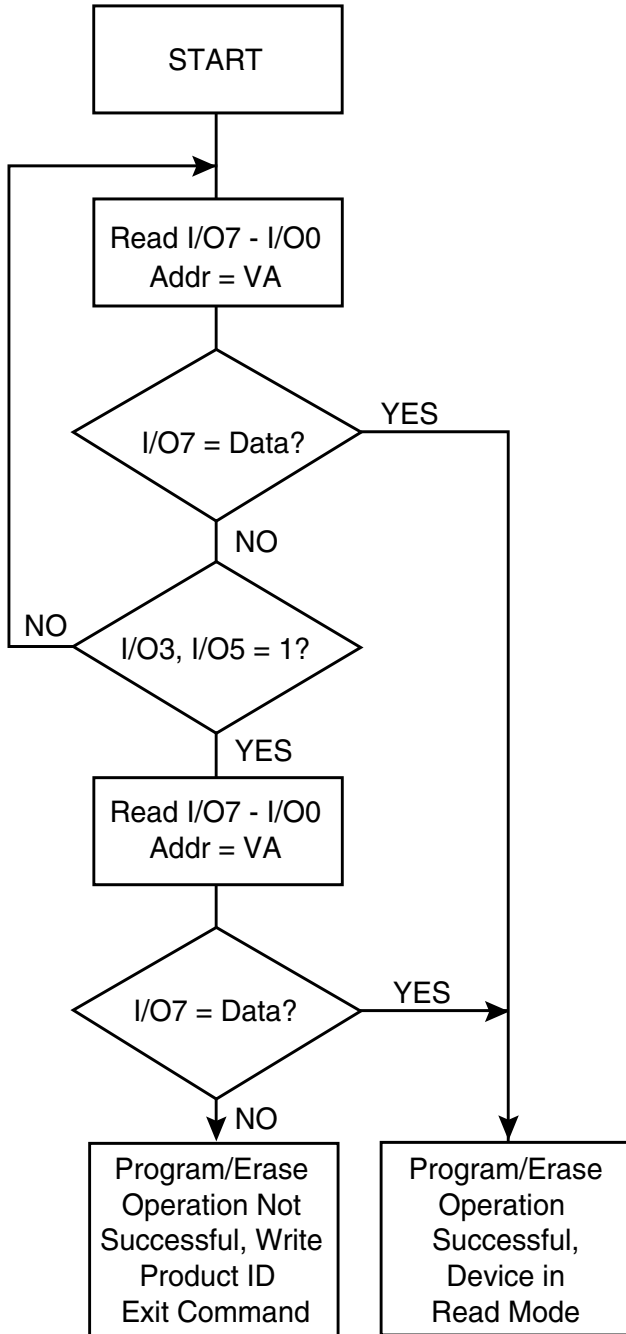
**RDY/ $\overline{\text{BUSY}}$ :** An open-drain  $\text{RDY}/\overline{\text{BUSY}}$  output pin provides another method of detecting the end of a program or erase operation.  $\text{RDY}/\overline{\text{BUSY}}$  is actively pulled low during the internal program and erase cycles and is released at the completion of the cycle. The open-drain connection allows for OR-tying of several devices to the same  $\text{RDY}/\overline{\text{BUSY}}$  line. Please see “Status Bit Table” on page 12 for more details.

**HARDWARE DATA PROTECTION:** The Hardware Data Protection feature protects against inadvertent programs to the 16-megabit Flash in the following ways: (a)  $V_{\text{CC}}$  sense: if  $V_{\text{CC}}$  is below 1.8V (typical), the program function is inhibited. (b)  $V_{\text{CC}}$  power-on delay: once  $V_{\text{CC}}$  has reached the  $V_{\text{CC}}$  sense level, the device will automatically time out 10 ms (typical) before programming. (c) Program inhibit: holding any one of  $\overline{\text{OE}}$  low,  $\overline{\text{CE}}$  high or  $\overline{\text{WE}}$  high inhibits program cycles. (d) Noise filter: pulses of less than 15 ns (typical) on the  $\overline{\text{WE}}$  or  $\overline{\text{CE}}$  inputs will not initiate a program cycle. (e) Program inhibit:  $V_{\text{PP}}$  is less than  $V_{\text{ILPP}}$ . (f)  $V_{\text{PP}}$  power-on delay: once  $V_{\text{PP}}$  has reached 1.65V, program and erase operations can occur after 100 ns.

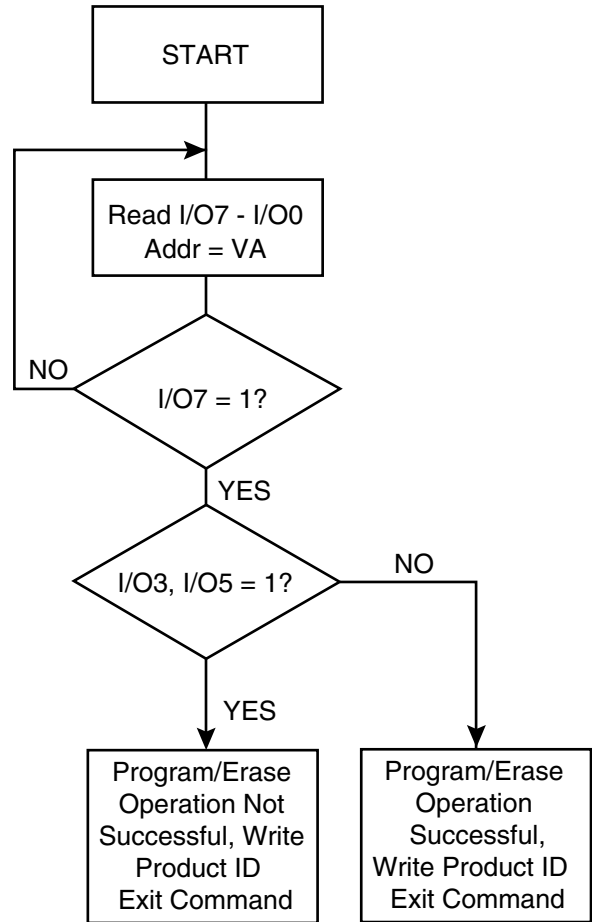
**INPUT LEVELS:** While operating with a 2.7V to 3.6V power supply, the address inputs and control inputs ( $\overline{\text{OE}}$ ,  $\overline{\text{CE}}$  and  $\overline{\text{WE}}$ ) may be driven from 0 to 5.5V without adversely affecting the operation of the device. The I/O lines can only be driven from 0 to  $V_{\text{CC}} + 0.6\text{V}$ .

**OUTPUT LEVELS:** For the Flash, output high levels ( $V_{\text{OH}}$ ) are equal to  $V_{\text{CCQ}} - 0.2\text{V}$  (not  $V_{\text{CC}}$ ). For 2.7V - 3.6V output levels,  $V_{\text{CCQ}}$  must be tied to  $V_{\text{CC}}$ . For 1.8V - 2.2V output levels,  $V_{\text{CCQ}}$  must be regulated to  $2.0\text{V} \pm 10\%$ , while  $V_{\text{CC}}$  must be regulated to 2.7V - 3.0V (for minimum power).

**Figure 1.** Data Polling Algorithm  
(Configuration Register = 00)



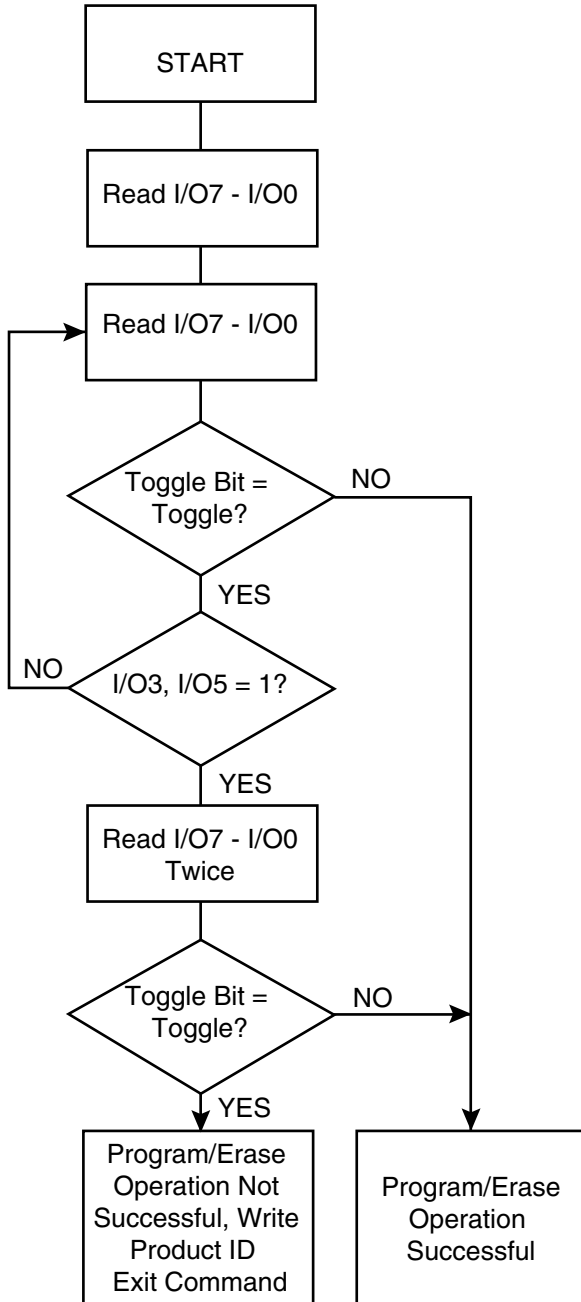
**Figure 2.** Data Polling Algorithm  
(Configuration Register = 01)



Note: 1. VA = Valid address for programming. During a sector erase operation, a valid address is any sector address within the sector being erased. During chip erase, a valid address is any non-protected sector address.

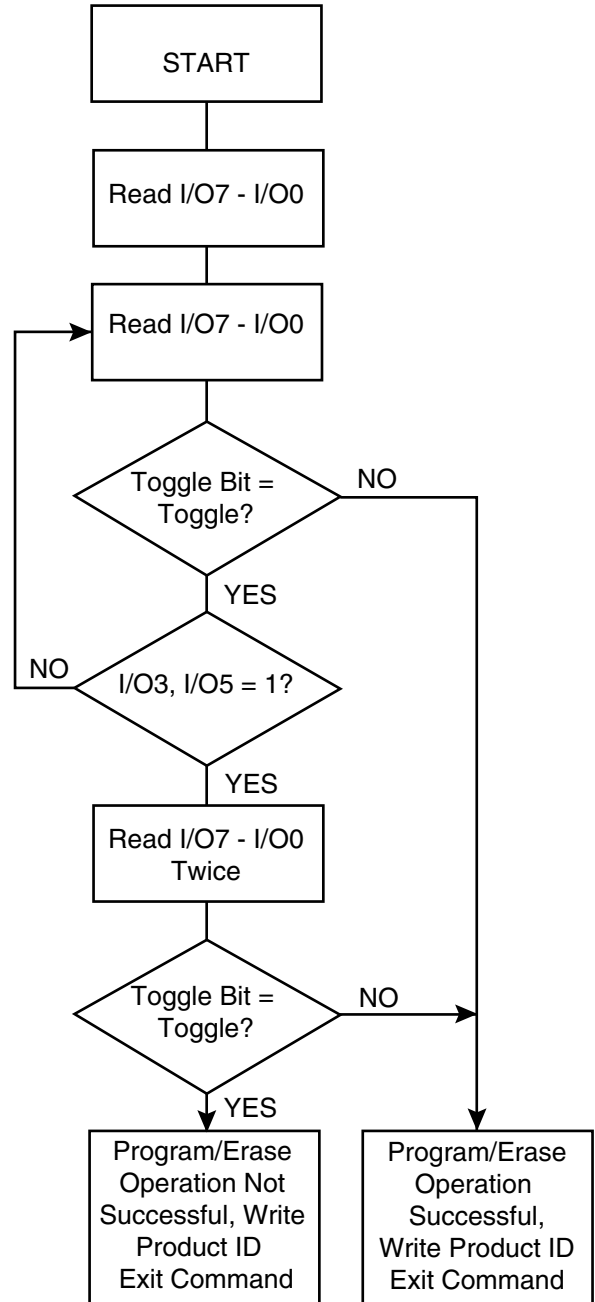
- Notes:
1. VA = Valid address for programming. During a sector erase operation, a valid address is any sector address within the sector being erased. During chip erase, a valid address is any non-protected sector address.
  2. I/O7 should be rechecked even if I/O5 = "1" because I/O7 may change simultaneously with I/O5.

**Figure 3.** Toggle Bit Algorithm  
(Configuration Register = 00)



Note: 1. The system should recheck the toggle bit even if I/O5 = "1" because the toggle bit may stop toggling as I/O5 changes to "1".

**Figure 4.** Toggle Bit Algorithm  
(Configuration Register = 01)



Note: 1. The system should recheck the toggle bit even if I/O5 = "1" because the toggle bit may stop toggling as I/O5 changes to "1".

## Status Bit Table

	Status Bit						
	I/O7	I/O7	I/O6	I/O5 <sup>(1)</sup>	I/O3 <sup>(2)</sup>	I/O2	RDY/ $\overline{\text{BUSY}}$
<b>Configuration Register:</b>	<b>00</b>	<b>01</b>	<b>00/01</b>	<b>00/01</b>	<b>00/01</b>	<b>00/01</b>	<b>00/01</b>
Programming	$\overline{\text{I/O7}}$	0	TOGGLE	0	0	1	0
Erasing	0	0	TOGGLE	0	0	TOGGLE	0
Erase Suspended & Read Erasing Sector	1	1	1	0	0	TOGGLE	1
Erase Suspended & Read Non-erasing Sector	DATA	DATA	DATA	DATA	DATA	DATA	1
Erase Suspended & Program Non-erasing Sector	$\overline{\text{I/O7}}$	0	TOGGLE	0	0	TOGGLE	0

- Notes:
1. I/O5 switches to a "1" when a program or an erase operation has exceeded the maximum time limits or when a program or sector erase operation is performed on a protected sector.
  2. I/O3 switches to a "1" when the  $V_{PP}$  level is not high enough to successfully perform program and erase operations.

## Command Definition in Hex<sup>(1)</sup>

Command Sequence	Bus Cycles	1st Bus Cycle		2nd Bus Cycle		3rd Bus Cycle		4th Bus Cycle		5th Bus Cycle		6th Bus Cycle	
		Addr	Data	Addr	Data	Addr	Data	Addr	Data	Addr	Data	Addr	Data
Read	1	Addr	D <sub>OUT</sub>										
Chip Erase	6	555	AA	AAA <sup>(2)</sup>	55	555	80	555	AA	AAA	55	555	10
Sector Erase	6	555	AA	AAA	55	555	80	555	AA	AAA	55	SA <sup>(3)(4)</sup>	30
Word Program	4	555	AA	AAA	55	555	A0	Addr	D <sub>IN</sub>				
Enter Single Pulse Program Mode	6	555	AA	AAA	55	555	80	555	AA	AAA	55	555	A0
Single Pulse Word Program	1	Addr	D <sub>IN</sub>										
Sector Lockdown	6	555	AA	AAA	55	555	80	555	AA	AAA	55	SA <sup>(3)(4)</sup>	60
Erase/Program Suspend	1	XXX	B0										
Erase/Program Resume	1	XXX	30										
Product ID Entry	3	555	AA	AAA	55	555	90						
Product ID Exit <sup>(5)</sup>	3	555	AA	AAA	55	555	F0						
Product ID Exit <sup>(5)</sup>	1	XXX	F0										
Program Protection Register	4	555	AA	AAA	55	555	C0	Addr	D <sub>IN</sub>				
Lock Protection Register - Block B	4	555	AA	AAA	55	555	C0	080	X0				
Status of Block B Protection	4	555	AA	AAA	55	555	90	80	D <sub>OUT</sub> <sup>(6)</sup>				
Set Configuration Register	4	555	AA	AAA	55	555	D0	XXX	00/01 <sup>(7)</sup>				

- Notes:
- The DATA FORMAT shown for each bus cycle is as follows; I/O7 - I/O0 (Hex). In word operation I/O15 - I/O8 are Don't Care. The ADDRESS FORMAT shown for each bus cycle is as follows: A11 - A0 (Hex). Address A19 through A11 are Don't Care.
  - Since A11 is a Don't Care, AAA can be replaced with 2AA.
  - SA = sector address. Any word address within a sector can be used to designate the sector address (see page 15 for details).
  - Once a sector is in the lockdown mode, data in the protected sector cannot be changed unless the chip is reset or power cycled.
  - Either one of the Product ID Exit commands can be used.
  - If data bit D1 is "0", block B is locked. If data bit D1 is "1", block B can be reprogrammed.
  - The default state (after power-up) of the configuration register is "00".

## Absolute Maximum Ratings\*

Temperature under Bias .....	-55°C to +125°C
Storage Temperature .....	-65°C to +150°C
All Input Voltages (including NC Pins) with Respect to Ground .....	-0.6V to +6.25V
All Output Voltages with Respect to Ground .....	-0.6V to V <sub>CC</sub> + 0.6V
Voltage on $\overline{OE}$ and V <sub>PP</sub> with Respect to Ground .....	-0.6V to +13.0V

\*NOTICE: Stresses beyond those listed under "Absolute Maximum Ratings" may cause permanent damage to the device. This is a stress rating only and functional operation of the device at these or any other conditions beyond those indicated in the operational sections of this specification is not implied. Exposure to absolute maximum rating conditions for extended periods may affect device reliability.

## Protection Register Addressing Table

Word	Use	Block	A7	A6	A5	A4	A3	A2	A1	A0
0	Factory	A	1	0	0	0	0	0	0	1
1	Factory	A	1	0	0	0	0	0	1	0
2	Factory	A	1	0	0	0	0	0	1	1
3	Factory	A	1	0	0	0	0	1	0	0
4	User	B	1	0	0	0	0	1	0	1
5	User	B	1	0	0	0	0	1	1	0
6	User	B	1	0	0	0	0	1	1	1
7	User	B	1	0	0	0	1	0	0	0

Note: 1. All address lines not specified in the above table must be "0" when accessing the protection register, i.e., A19 - A8 = 0.

## Top Boot 16-megabit Flash – Sector Address Table

Sector	Size (Words)	x16 Address Range (A19 - A0)
SA0	32K	00000 - 07FFF
SA1	32K	08000 - 0FFFF
SA2	32K	10000 - 17FFF
SA3	32K	18000 - 1FFFF
SA4	32K	20000 - 27FFF
SA5	32K	28000 - 2FFFF
SA6	32K	30000 - 37FFF
SA7	32K	38000 - 3FFFF
SA8	32K	40000 - 47FFF
SA9	32K	48000 - 4FFFF
SA10	32K	50000 - 57FFF
SA11	32K	58000 - 5FFFF
SA12	32K	60000 - 67FFF
SA13	32K	68000 - 6FFFF
SA14	32K	70000 - 77FFF
SA15	32K	78000 - 7FFFF
SA16	32K	80000 - 87FFF
SA17	32K	88000 - 8FFFF
SA18	32K	90000 - 97FFF
SA19	32K	98000 - 9FFFF
SA20	32K	A0000 - A7FFF
SA21	32K	A8000 - AFFFF
SA22	32K	B0000 - B7FFF
SA23	32K	B8000 - BFFFF
SA24	32K	C0000 - C7FFF
SA25	32K	C8000 - CFFFF
SA26	32K	D0000 - D7FFF
SA27	32K	D8000 - DFFFF
SA28	32K	E0000 - E7FFF
SA29	32K	E8000 - EFFFF
SA30	32K	F0000 - F7FFF
SA31	4K	F8000 - F8FFF
SA32	4K	F9000 - F9FFF
SA33	4K	FA000 - FAFFF
SA34	4K	FB000 - FBFFF
SA35	4K	FC000 - FCFFF
SA36	4K	FD000 - FDFFF
SA37	4K	FE000 - FEFFF
SA38	4K	FF000 - FFFFF



## Bottom Boot 16-megabit Flash – Sector Address Table

Sector	Size (Words)	x16 Address Range (A19 - A0)
SA0	4K	00000 - 00FFF
SA1	4K	01000 - 01FFF
SA2	4K	02000 - 02FFF
SA3	4K	03000 - 03FFF
SA4	4K	04000 - 04FFF
SA5	4K	05000 - 05FFF
SA6	4K	06000 - 06FFF
SA7	4K	07000 - 07FFF
SA8	32K	08000 - 0FFFF
SA9	32K	10000 - 17FFF
SA10	32K	18000 - 1FFFF
SA11	32K	20000 - 27FFF
SA12	32K	28000 - 2FFFF
SA13	32K	30000 - 37FFF
SA14	32K	38000 - 3FFFF
SA15	32K	40000 - 47FFF
SA16	32K	48000 - 4FFFF
SA17	32K	50000 - 57FFF
SA18	32K	58000 - 5FFFF
SA19	32K	60000 - 67FFF
SA20	32K	68000 - 6FFFF
SA21	32K	70000 - 77FFF
SA22	32K	78000 - 7FFFF
SA23	32K	80000 - 87FFF
SA24	32K	88000 - 8FFFF
SA25	32K	90000 - 97FFF
SA26	32K	98000 - 9FFFF
SA27	32K	A0000 - A7FFF
SA28	32K	A8000 - AFFFF
SA29	32K	B0000 - B7FFF
SA30	32K	B8000 - BFFFF
SA31	32K	C0000 - C7FFF
SA32	32K	C8000 - CFFFF
SA33	32K	D0000 - D7FFF
SA34	32K	D8000 - DFFFF
SA35	32K	E0000 - E7FFF
SA36	32K	E8000 - EFFFF
SA37	32K	F0000 - F7FFF
SA38	32K	F8000 - FFFFF



## DC and AC Operating Range

		AT52BR1662(T)/1664(T)-70	AT52BR1662(T)/1664(T)-90
Operating Temperature (Case)	Ind.	-40°C - 85°C	-40°C - 85°C
V <sub>CC</sub> Power Supply		2.7V to 3.3V	2.7V to 3.3V

## Operating Modes

Mode	$\overline{CE}$	$\overline{OE}$	$\overline{WE}$	$\overline{RESET}$	V <sub>PP</sub>	Ai	I/O
Read	V <sub>IL</sub>	V <sub>IL</sub>	V <sub>IH</sub>	V <sub>IH</sub>	X	Ai	D <sub>OUT</sub>
Program/Erase <sup>(2)</sup>	V <sub>IL</sub>	V <sub>IH</sub>	V <sub>IL</sub>	V <sub>IH</sub>	V <sub>IHPP</sub> <sup>(6)</sup>	Ai	D <sub>IN</sub>
Standby/Program Inhibit	V <sub>IH</sub>	X <sup>(1)</sup>	X	V <sub>IH</sub>	X	X	High-Z
Program Inhibit	X	X	V <sub>IH</sub>	V <sub>IH</sub>	X		
	X	V <sub>IL</sub>	X	V <sub>IH</sub>	X		
	X	X	X	V <sub>IH</sub>	V <sub>ILPP</sub> <sup>(7)</sup>		
Output Disable	X	V <sub>IH</sub>	X	V <sub>IH</sub>	X		High-Z
Reset	X	X	X	V <sub>IL</sub>	X	X	High-Z
Product Identification							
Hardware	V <sub>IL</sub>	V <sub>IL</sub>	V <sub>IH</sub>	V <sub>IH</sub>		A1 - A19 = V <sub>IL</sub> , A9 = V <sub>H</sub> <sup>(3)</sup> , A0 = V <sub>IL</sub>	Manufacturer Code <sup>(4)</sup>
						A1 - A19 = V <sub>IL</sub> , A9 = V <sub>H</sub> <sup>(3)</sup> , A0 = V <sub>IH</sub>	Device Code <sup>(4)</sup>
Software <sup>(5)</sup>				V <sub>IH</sub>		A0 = V <sub>IL</sub> , A1 - A19 = V <sub>IL</sub>	Manufacturer Code <sup>(4)</sup>
						A0 = V <sub>IH</sub> , A1 - A19 = V <sub>IL</sub>	Device Code <sup>(4)</sup>

- Notes:
- X can be V<sub>IL</sub> or V<sub>IH</sub>.
  - Refer to AC programming waveforms on page 23.
  - V<sub>H</sub> = 12.0V ± 0.5V.
  - Manufacturer Code: 001FH, Device Code: 00C2H (Top Boot); 00C0H (Bottom Boot).
  - See details under "Software Product Identification Entry/Exit".
  - V<sub>IHPP</sub> (min) = 1.65V; V<sub>IHPP</sub> (max) = 3.6V. For faster erase/program operations, V<sub>PP</sub> can be set to 5.0V ± 0.5V or 12V ± 0.5V.
  - V<sub>ILPP</sub> (max) = 0.8V.

## DC Characteristics

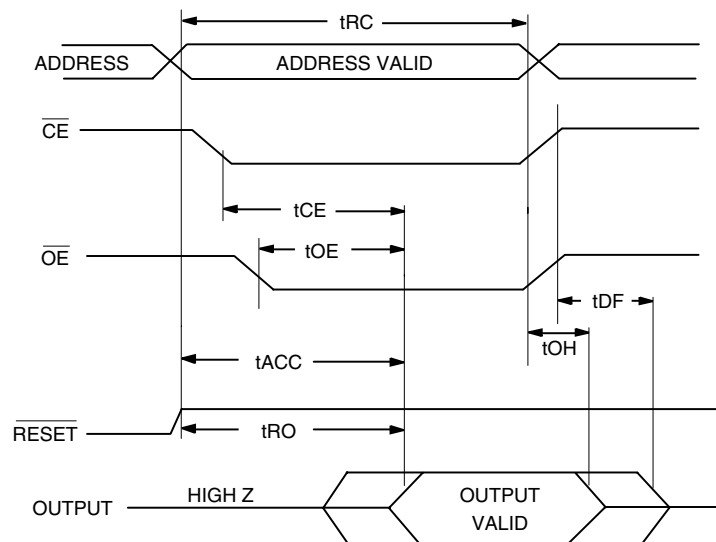
Symbol	Parameter	Condition	Min	Max	Units
$I_{LI}$	Input Load Current	$V_{IN} = 0V$ to $V_{CC}$		10	$\mu A$
$I_{LO}$	Output Leakage Current	$V_{I/O} = 0V$ to $V_{CC}$		10	$\mu A$
$I_{SB1}$	$V_{CC}$ Standby Current CMOS	$\overline{CE} = V_{CC} - 0.3V$ to $V_{CC}$		10	$\mu A$
$I_{SB2}$	$V_{CC}$ Standby Current TTL	$\overline{CE} = 2.0V$ to $V_{CC}$		1	mA
$I_{SB3}$	$V_{CC}$ Standby Current TTL	$\overline{CE} = 2.0V$ to $V_{CC}$ , $V_{CC} = 2.85V$		10	$\mu A$
$I_{CC}^{(1/2)}$	$V_{CC}$ Active Read Current	$f = 5$ MHz; $I_{OUT} = 0$ mA, $3.3V \leq V_{CC}$		30	mA
$I_{CC1}$	$V_{CC}$ Programming Current ( $V_{PP} = V_{CC}$ )			45	mA
$I_{PP1}$	$V_{PP}$ Input Load Current	$V_{PP} = 0V$ , $V_{CC} = 3.0V$		10	$\mu A$
		$V_{PP} = V_{CC} = 3.0V$		10	$\mu A$
$I_{CC2}$	$V_{CC}$ Programming Current ( $V_{PP} = 5.0V \pm 0.5V$ )			40	mA
$I_{PP2}$	$V_{PP}$ Programming Current ( $V_{PP} = 5.0V \pm 0.5V$ )			5	mA
$I_{CC3}$	$V_{CC}$ Programming Current ( $V_{PP} = 12.0V \pm 0.5V$ )			40	mA
$I_{PP3}$	$V_{PP}$ Programming Current ( $V_{PP} = 12.0V \pm 0.5V$ )			6	mA
$V_{IL}$	Input Low Voltage			0.6	V
$V_{IH}$	Input High Voltage		2.0		V
$V_{OL1}$	Output Low Voltage	$I_{OL} = 2.1$ mA		0.45	V
$V_{OL2}$	Output Low Voltage	$I_{OL} = 1.0$ mA		0.20	V
$V_{OH1}$	Output High Voltage	$I_{OH} = -400 \mu A$ $V_{CCQ} < 2.6V$	$V_{CCQ} - 0.2$ 2.4		V
		$I_{OH} = -400 \mu A$ $V_{CCQ} \geq 2.6V$			V
					V
$V_{OH2}$	Output High Voltage	$I_{OH} = -100 \mu A$ $V_{CCQ} < 2.6V$	$V_{CCQ} - 0.1$ 2.5		V
		$I_{OH} = -100 \mu A$ $V_{CCQ} \geq 2.6V$			V
					V

- Notes: 1. In the erase mode,  $I_{CC}$  is 50 mA.  
2. For  $3.3V < V_{CC} < 3.6V$ ,  $I_{CC}(\text{max}) = 35$  mA

## AC Read Characteristics

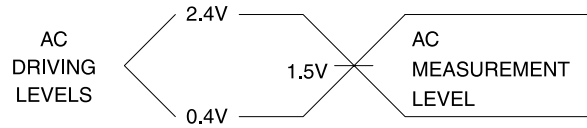
Symbol	Parameter	AT52BR1662(T)/1664(T)-70		AT52BR1662(T)/1664(T)-90		Units
		Min	Max	Min	Max	
$t_{RC}$	Read Cycle Time		70		90	ns
$t_{ACC}$	Address to Output Delay		70		90	ns
$t_{CE}^{(1)}$	$\overline{CE}$ to Output Delay		70		90	ns
$t_{OE}^{(2)}$	$\overline{OE}$ to Output Delay	0	35	0	40	ns
$t_{DF}^{(3)(4)}$	$\overline{CE}$ or $\overline{OE}$ to Output Float	0	25	0	25	ns
$t_{OH}$	Output Hold from $\overline{OE}$ , $\overline{CE}$ or Address, whichever occurred first	0		0		ns
$t_{RO}$	$\overline{RESET}$ to Output Delay		100		100	ns

## AC Read Waveforms<sup>(1)(2)(3)(4)</sup>

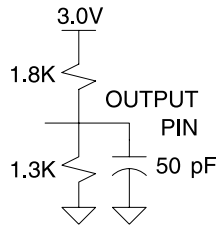


- Notes:
- $\overline{CE}$  may be delayed up to  $t_{ACC} - t_{CE}$  after the address transition without impact on  $t_{ACC}$ .
  - $\overline{OE}$  may be delayed up to  $t_{CE} - t_{OE}$  after the falling edge of  $\overline{CE}$  without impact on  $t_{CE}$  or by  $t_{ACC} - t_{OE}$  after an address change without impact on  $t_{ACC}$ .
  - $t_{DF}$  is specified from  $\overline{OE}$  or  $\overline{CE}$ , whichever occurs first (CL = 5 pF).
  - This parameter is characterized and is not 100% tested.

## Input Test Waveforms and Measurement Level



## Output Test Load



## Pin Capacitance

$f = 1 \text{ MHz}$ ,  $T = 25^\circ\text{C}^{(1)}$

Symbol	Typ	Max	Units	Conditions
$C_{\text{IN}}$	4	6	pF	$V_{\text{IN}} = 0\text{V}$
$C_{\text{OUT}}$	8	12	pF	$V_{\text{OUT}} = 0\text{V}$

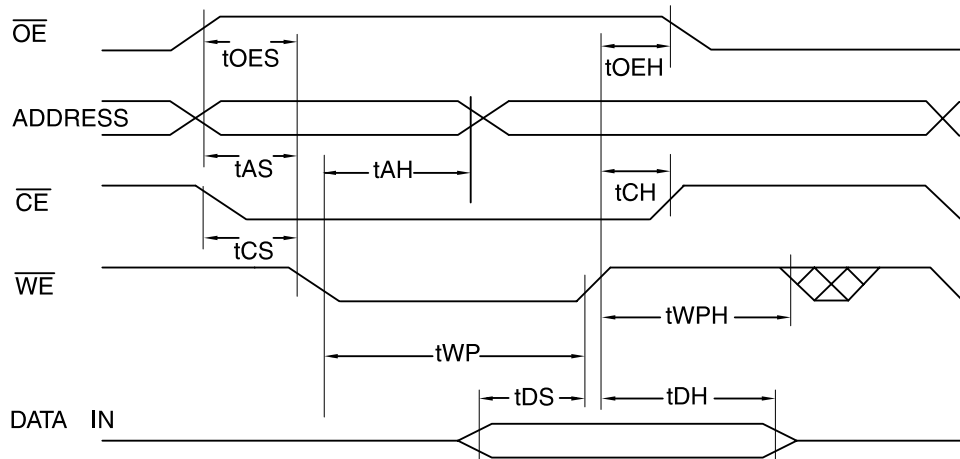
Note: 1. This parameter is characterized and is not 100% tested

AC Word Load Characteristics

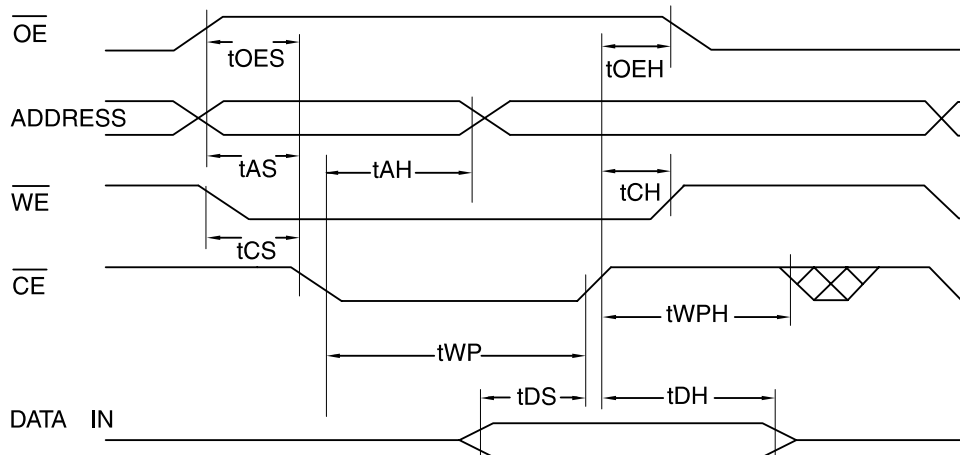
Symbol	Parameter	Min	Max	Units
$t_{AS}, t_{OES}$	Address, $\overline{OE}$ Setup Time	0		ns
$t_{AH}$	Address Hold Time	40		ns
$t_{CS}$	Chip Select Setup Time	0		ns
$t_{CH}$	Chip Select Hold Time	0		ns
$t_{WP}$	Write Pulse Width ( $\overline{WE}$ or $\overline{CE}$ )	40		ns
$t_{DS}$	Data Setup Time	30		ns
$t_{DH}, t_{OEH}$	Data, $\overline{OE}$ Hold Time	0		ns
$t_{WPH}$	Write Pulse Width High	30		ns

AC Word Load Waveforms

$\overline{WE}$  Controlled



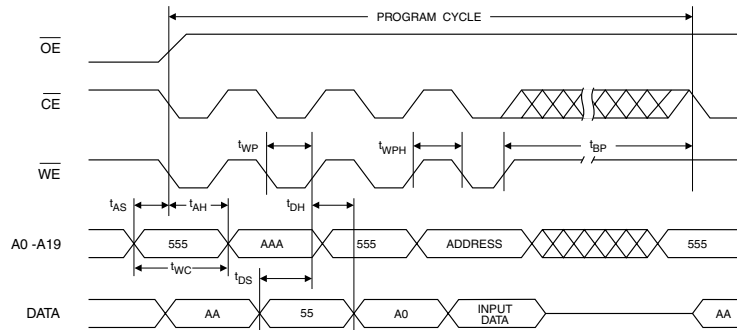
$\overline{CE}$  Controlled



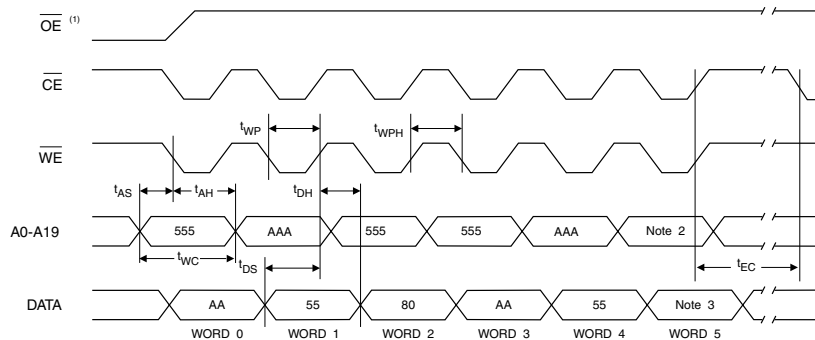
## Program Cycle Characteristics

Symbol	Parameter	Min	Typ	Max	Units
$t_{BP}$	Word Programming Time ( $V_{IHPP} < V_{PP} < 4.5V$ )		20	200	$\mu s$
$t_{BPVPP}$	Word Programming Time ( $V_{PP} \geq 4.5V$ )		10	100	$\mu s$
$t_{AS}$	Address Setup Time	0			ns
$t_{AH}$	Address Hold Time	40			ns
$t_{DS}$	Data Setup Time	30			ns
$t_{DH}$	Data Hold Time	0			ns
$t_{WP}$	Write Pulse Width	40			ns
$t_{WPH}$	Write Pulse Width High	30			ns
$t_{WC}$	Write Cycle Time	70			ns
$t_{RP}$	Reset Pulse Width	500			ns
$t_{RH}$	Reset High Time before Read	50			ns
$t_{EC}$	Chip Erase Cycle Time ( $V_{PP} < 4.5V$ )			12	seconds
$t_{ECVPP}$	Chip Erase Cycle Time ( $V_{PP} \geq 4.5V$ )			6	seconds
$t_{SEC}$	Sector Erase Cycle Time ( $V_{PP} < 4.5V$ )		300	400	ms
$t_{EPS}$	Erase or Program Suspend Time			15	$\mu s$

## Program Cycle Waveforms



## Sector or Chip Erase Cycle Waveforms



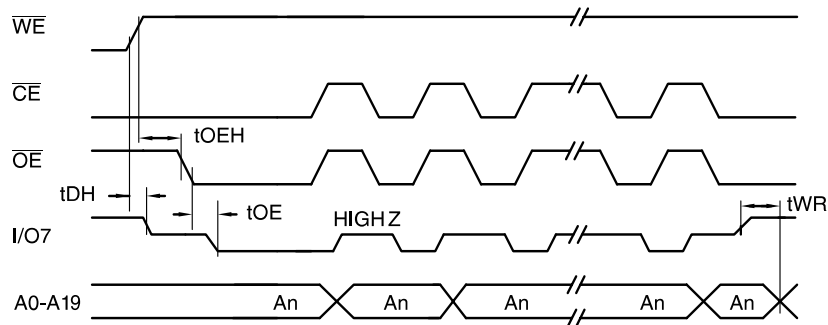
- Notes:
- $\overline{OE}$  must be high only when  $\overline{WE}$  and  $\overline{CE}$  are both low.
  - For chip erase, the address should be 555. For sector erase, the address depends on what sector is to be erased. (See note 3 under Command Definitions.)
  - For chip erase, the data should be 10H, and for sector erase, the data should be 30H.

## Data Polling Characteristics<sup>(1)</sup>

Symbol	Parameter	Min	Typ	Max	Units
$t_{DH}$	Data Hold Time	10			ns
$t_{OE\overline{H}}$	$\overline{OE}$ Hold Time	10			ns
$t_{OE}$	$\overline{OE}$ to Output Delay <sup>(2)</sup>				ns
$t_{WR}$	Write Recovery Time	0			ns

Notes: 1. These parameters are characterized and not 100% tested.  
2. See  $t_{OE}$  spec in "AC Read Characteristics" on page 19.

## Data Polling Waveforms

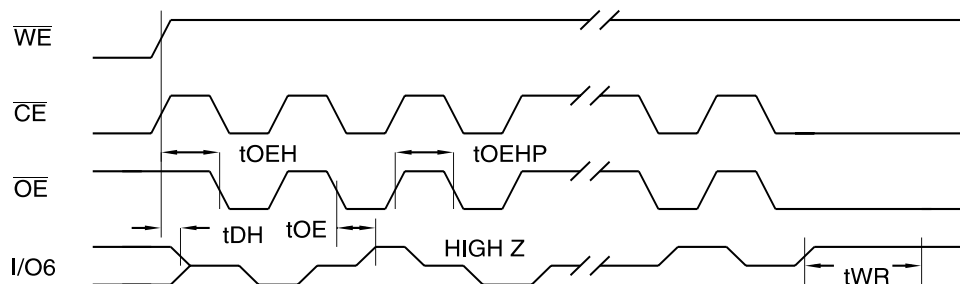


## Toggle Bit Characteristics<sup>(1)</sup>

Symbol	Parameter	Min	Typ	Max	Units
$t_{DH}$	Data Hold Time	10			ns
$t_{OE\overline{H}}$	$\overline{OE}$ Hold Time	10			ns
$t_{OE}$	$\overline{OE}$ to Output Delay <sup>(2)</sup>				ns
$t_{OEHP}$	$\overline{OE}$ High Pulse	50			ns
$t_{WR}$	Write Recovery Time	0			ns

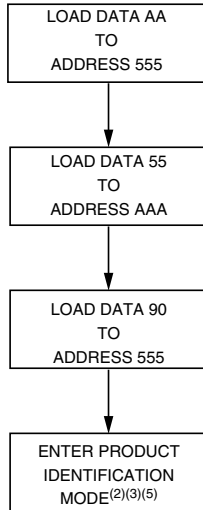
Notes: 1. These parameters are characterized and not 100% tested.  
2. See  $t_{OE}$  spec in "AC Read Characteristics" on page 19.

## Toggle Bit Waveforms<sup>(1)(2)(3)</sup>

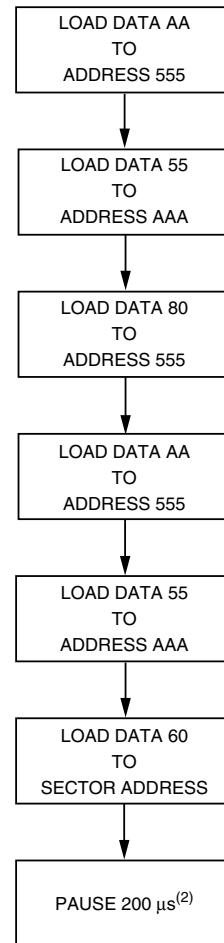


Notes: 1. Toggling either  $\overline{OE}$  or  $\overline{CE}$  or both  $\overline{OE}$  and  $\overline{CE}$  will operate toggle bit.  
The  $t_{OEHP}$  specification must be met by the toggling input(s).  
2. Beginning and ending state of I/O6 will vary.  
3. Any address location may be used but the address should not vary.

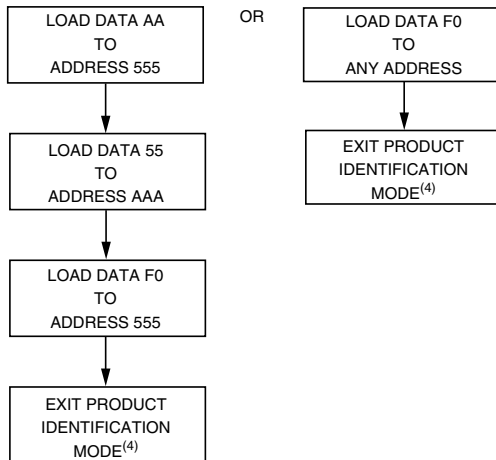
## Software Product Identification Entry<sup>(1)</sup>



## Sector Lockdown Enable Algorithm<sup>(1)</sup>



## Software Product Identification Exit<sup>(1)(6)</sup>



- Notes:
1. Data Format: I/O15 - I/O8 (Don't Care); I/O7 - I/O0 (Hex)  
Address Format: A11 - A0 (Hex) and A11 - A19 (Don't Care).
  2. Sector Lockdown feature enabled.

- Notes:
1. Data Format: I/O15 - I/O8 (Don't Care); I/O7 - I/O0 (Hex)  
Address Format: A11 - A0 (Hex) and A11 - A19 (Don't Care).
  2. A1 - A19 =  $V_{IL}$ . Manufacturer Code is read for A0 =  $V_{IL}$ ;  
Device Code is read for A0 =  $V_{IH}$ . Additional Device Code is read for address 0003H.
  3. The device does not remain in identification mode if powered down.
  4. The device returns to standard operation mode.
  5. Manufacturer Code: 001FH.  
Device Code: 00C2H (Top Boot); 00C0H (Bottom Boot)  
Additional Device Code: 0008H.
  6. Either one of the Product ID Exit commands can be used.



## 2-megabit SRAM Description

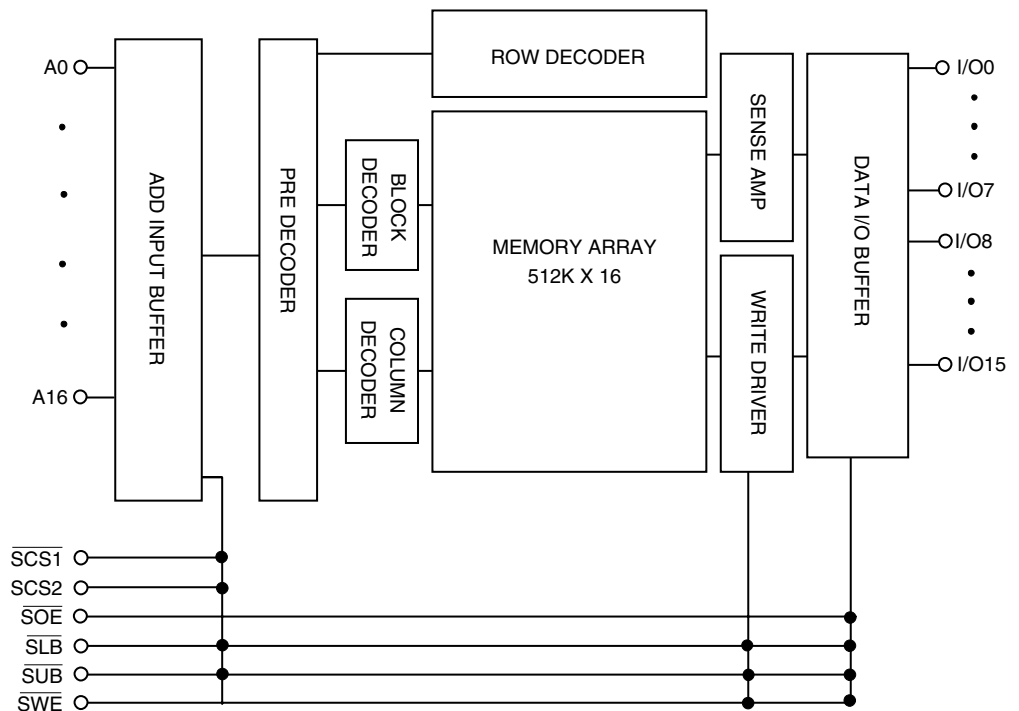
The 2-megabit SRAM is a high-speed, super low-power CMOS SRAM organized as 128K words by 16 bits. The SRAM uses high-performance full CMOS process technology and is designed for high-speed and low-power circuit technology. It is particularly well-suited for the high-density low-power system application. This device has a data retention mode that guarantees data to remain valid at a minimum power supply voltage of 1.2V.

## Features

- Fully Static Operation and Tri-state Output
- TTL Compatible Inputs and Outputs
- Battery Backup
  - 1.2V (Min) Data Retention

Voltage (V)	Speed (ns)	Operation Current/ $I_{CC}$ (mA) (Max)	Standby Current ( $\mu$ A) (Max)	Temperature ( $^{\circ}$ C)
2.7 - 3.3	70	10	10	-40 - 85

## Block Diagram



## Absolute Maximum Ratings<sup>(1)</sup>

Symbol	Parameter	Rating	Unit
$V_{IN}, V_{OUT}$	Input/Output Voltage	-0.3 to 3.6	V
$V_{CC}$	Power Supply	-0.3 to 4.6	V
$T_A$	Operating Temperature	-40 to 85	°C
$T_{STG}$	Storage Temperature	-55 to 150	°C
$P_D$	Power Dissipation	1.0	W

Note: 1. Stresses greater than those listed under “Absolute Maximum Ratings” may cause permanent damage to the device. This is stress rating only and the functional operation of the device under these or any other conditions above those indicated in the operation of this specification is not implied. Exposure to the absolute maximum rating conditions for extended period may affect reliability.

## Truth Table

$\overline{SCS1}$	SCS2	$\overline{SWE}$	$\overline{SOE}$	$\overline{SLB}^{(2)}$	$\overline{SUB}^{(2)}$	Mode	I/O Pin		Power
							I/O0 - I/O7	I/O8 - I/O15	
H <sup>(1)</sup>	X	X	X	X	X	Deselected	High-Z	High-Z	Standby
X <sup>(1)</sup>	L			H	H				
X	X			L	H				
L <sup>(1)</sup>	H	H	H	H	L	Output Disabled	High-Z	High-Z	Active
				L	L				
				L	H				
L	H	L	X	L	H	Write	D <sub>IN</sub>	High-Z	Active
				H	L		High-Z	D <sub>IN</sub>	
				L	L		D <sub>IN</sub>	D <sub>IN</sub>	
L	H	H	L	L	H	Read	D <sub>OUT</sub>	High-Z	Active
				H	L		High-Z	D <sub>OUT</sub>	
				L	L		D <sub>OUT</sub>	D <sub>OUT</sub>	

Notes: 1. H =  $V_{IH}$ , L =  $V_{IL}$ , X = Don't Care ( $V_{IL}$  or  $V_{IH}$ )

2.  $\overline{SUB}$ ,  $\overline{SLB}$  (Upper, Lower Byte Enable). These active LOW inputs allow individual bytes to be written or read. When  $\overline{SLB}$  is LOW, data is written or read to the lower byte, I/O0 - I/O8. When  $\overline{SUB}$  is LOW, data is written or read to the upper byte, I/O9 - I/O16.

## Recommended DC Operating Condition

Symbol	Parameter	Min	Typ	Max	Unit
$V_{CC}$	Supply Voltage	2.3	3.0	3.3	V
$V_{SS}$	Ground	0	0	0	V
$V_{IH}$	Input High Voltage	2.2		$V_{CC} + 0.3$	V
$V_{IL}^{(1)}$	Input Low Voltage	-0.2 <sup>(1)</sup>		0.4	V

Note: 1. Undershoot:  $V_{IL} = -1.5V$  for pulse width less than 30 ns. Undershoot is sampled, not 100% tested.

## DC Electrical Characteristics

$T_A = -40^\circ\text{C}$  to  $85^\circ\text{C}$

Symbol	Parameter	Test Condition	Min	Typ <sup>(1)</sup>	Max	Unit
$I_{LI}$	Input Leakage Current	$V_{SS} < V_{IN} < V_{CC}$	-1		1	$\mu\text{A}$
$I_{LO}$	Output Leakage Current	$V_{SS} < V_{OUT} < V_{CC}$ , $\overline{SCS1} = V_{IH}$ or $SCS2 = V_{IL}$ or $\overline{SOE} = V_{IH}$ or $\overline{SWE} = V_{IL}$ or $\overline{SUB} = V_{IH}$ , $\overline{SLB} = V_{IH}$	-1		1	$\mu\text{A}$
$I_{CC}$	Operating Power Supply Current	$\overline{SCS1} = V_{IL}$ , $SCS2 = V_{IH}$ , $V_{IN} = V_{IH}$ or $V_{IL}$ , $I_{I/O} = 0 \text{ mA}$		5	10	mA
$I_{CC1}$	Average Operating Current	Cycle Time = 1 $\mu\text{s}$ $I_{I/O} = 0 \text{ mA}$ , $\overline{SCS1} = 0.2\text{V}$ , $SCS2 = V_{CC} - 0.2\text{V}$ , $V_{IN} \leq 0.2\text{V}$ or $V_{IN} \geq V_{CC} - 0.2\text{V}$		4	6	mA
		Cycle Time = Min, 100% Duty, $I_{I/O} = 0 \text{ mA}$ $\overline{SCS1} = V_{IL}$ , $SCS2 = V_{IH}$ , $V_{IN} = V_{IH}$ or $V_{IL}$		30	45	mA
$I_{SB}$	Standby Current (TTL Input)	$\overline{SCS1} = V_{IH}$ or $SCS2 = V_{IL}$			0.5	mA
$I_{SB1}$	Standby Current (CMOS Input)	$\overline{SCS1} \geq V_{CC} - 0.2\text{V}$ or $SCS2 \leq V_{SS} + 0.2\text{V}$	LL	0.4	10	$\mu\text{A}$
			SL		2	$\mu\text{A}$
$V_{OL}$	Output Low	$I_{OL} = 0.5 \text{ mA}$			0.4	V
$V_{OH}$	Output High	$I_{OH} = -0.5 \text{ mA}$	2.0			V

Note: 1. Typical values are at  $V_{CC} = 3.0\text{V}$ ,  $T_A = 25^\circ\text{C}$ . Typical values are not 100% tested.

## Capacitance<sup>(1)</sup>

(Temp =  $25^\circ\text{C}$ , f = 1.0 MHz)

Symbol	Parameter	Condition	Max	Unit
$C_{IN}$	Input Capacitance (Add, $\overline{SCS1}$ , $SCS2$ , $\overline{SLB}$ , $\overline{SUB}$ , $\overline{SWE}$ , $\overline{SOE}$ )	$V_{IN} = 0 \text{ V}$	8	pF
$C_{OUT}$	Output Capacitance (I/O)	$V_{I/O} = 0 \text{ V}$	10	pF

Note: 1. These parameters are sampled and not 100% tested.

## AC Characteristics

$T_A = -40^\circ\text{C}$  to  $85^\circ\text{C}$ , Unless Otherwise Specified

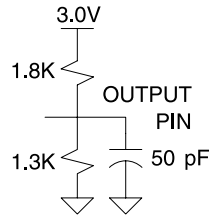
#	Symbol	Parameter	70 ns		Unit
			Min	Max	
1	$t_{RC}$	Read Cycle Time	70		ns
2	$t_{AA}$	Address Access Time		70	ns
3	$t_{ACS}$	Chip Select Access Time		70	ns
4	$t_{OE}$	Output Enable to Output Valid		35	ns
5	$t_{BA}$	$\overline{SLB}$ , $\overline{SUB}$ Access Time		35	ns
6	$t_{CLZ}$	Chip Select to Output in Low Z	5		ns
7	$t_{OLZ}$	Output Enable to Output in Low Z	0		ns
8	$t_{BLZ}$	$\overline{SLB}$ , $\overline{SUB}$ Enable to Output in Low Z	0		ns
9	$t_{CHZ}$	Chip Deselection to Output in High Z	0	30	ns
10	$t_{OHZ}$	Out Disable to Output in High Z	0	30	ns
11	$t_{BHZ}$	$\overline{SLB}$ , $\overline{SUB}$ Disable to Output in High Z	0	30	ns
12	$t_{OH}$	Output Hold from Address Change	10		ns
13	$t_{WC}$	Write Cycle Time	70		ns
14	$t_{CW}$	Chip Selection to End of Write	60		ns
15	$t_{AW}$	Address Valid to End of Write	60		ns
16	$t_{BW}$	$\overline{SLB}$ , $\overline{SUB}$ Valid to End of Write	60		ns
17	$t_{AS}$	Address Setup Time	0		ns
18	$t_{WP}$	Write Pulse Width	50		ns
19	$t_{WR}$	Write Recovery Time	0		ns
20	$t_{WHZ}$	Write to Output in High Z	0	25	ns
21	$t_{DW}$	Data to Write Time Overlap	30		ns
22	$t_{DH}$	Data Hold from Write Time	0		ns
23	$t_{OW}$	Output Active from End of Write	5		ns

## AC Test Conditions

$T_A = -40^\circ\text{C}$  to  $85^\circ\text{C}$ , Unless Otherwise Specified

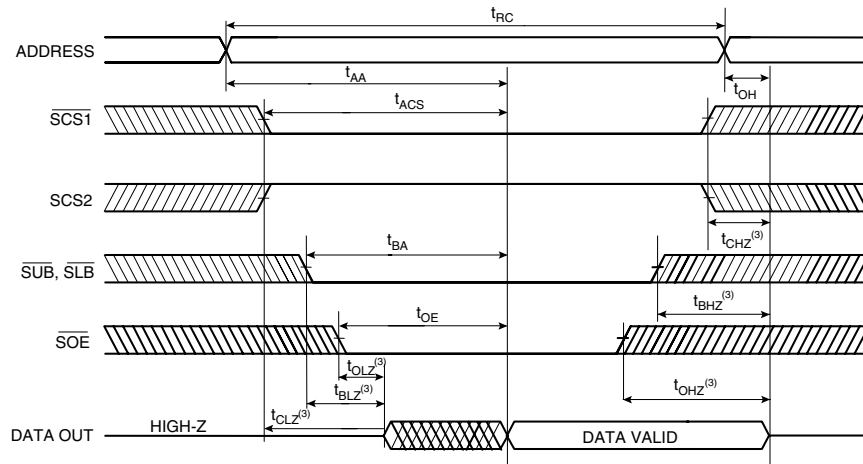
Parameter	Value
Input Pulse Level	0.4V to 2.2V
Input Rise and Fall Time	5 ns
Input and Output Timing Reference Level	1.5V
Output Load	CL = 5 pF + 1 TTL Load
	CL = 30 pF + 1 TTL Load

## Output Test Load

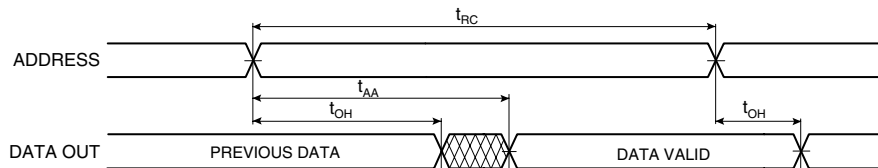


## Timing Diagrams

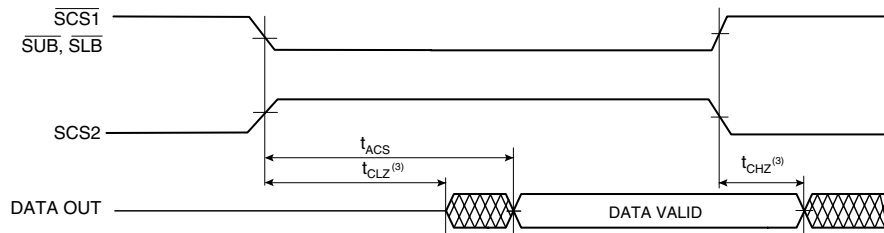
### Read Cycle 1<sup>(1),(4)</sup>



### Read Cycle 2<sup>(1),(2),(4)</sup>

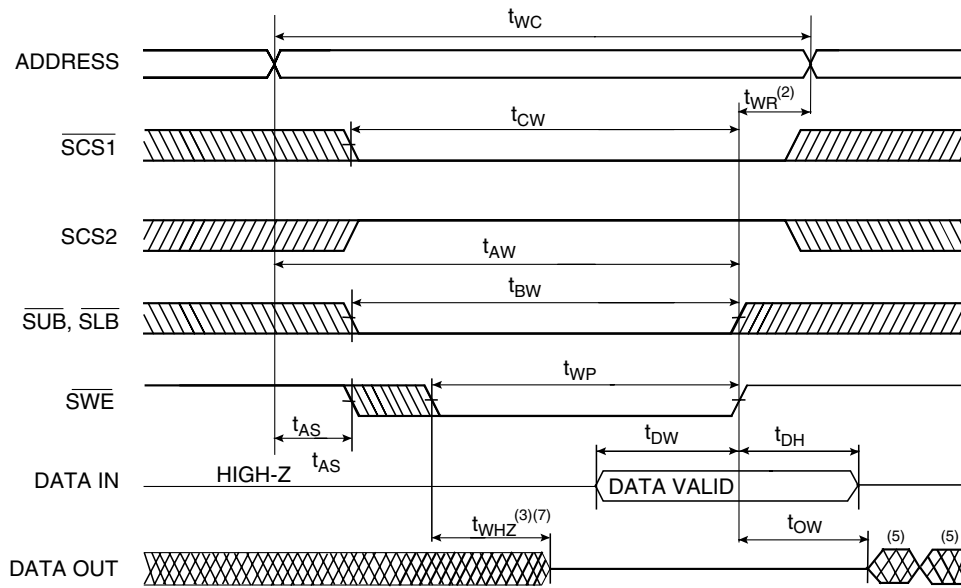


### Read Cycle 3<sup>(1),(2),(4)</sup>

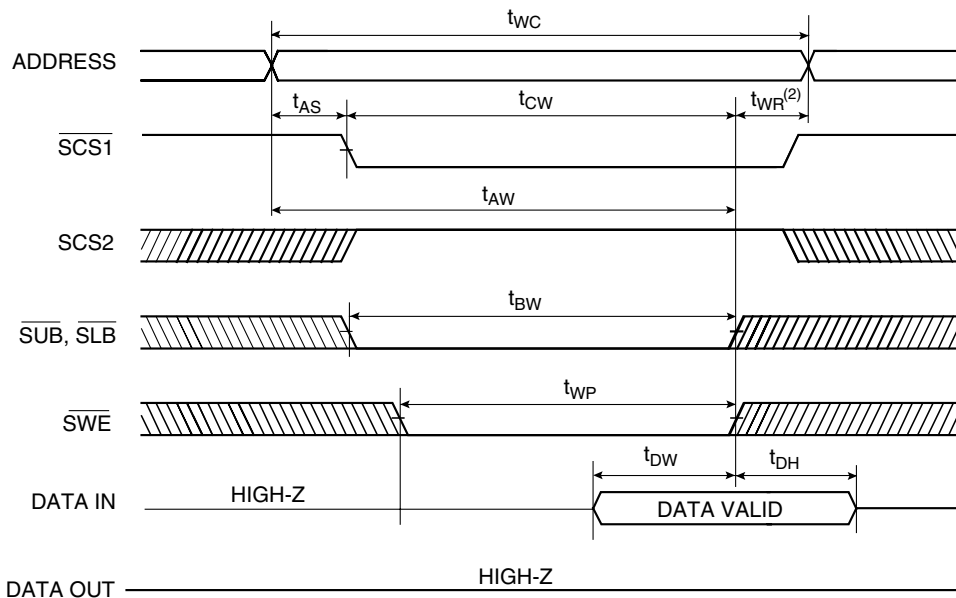


- Notes:
1. Read Cycle occurs whenever a high on the  $\overline{SWE}$  and  $\overline{SOE}$  is low, while  $\overline{SUB}$  and/or  $\overline{SLB}$  and  $\overline{SCS1}$  and  $SCS2$  are in active status.
  2.  $\overline{SOE} = V_{IL}$ .
  3. Transition is measured + 200 mV from steady state voltage. This parameter is sampled and not 100% tested.
  4.  $\overline{SCS1}$  in high for the standby, low for active.  $SCS2$  in low for the standby, high for active.  $\overline{SUB}$  and  $\overline{SLB}$  in high for the standby, low for active.

## Write Cycle 1 ( $\overline{\text{SWE}}$ Controlled)<sup>(1),(4),(8)</sup>



## Write Cycle 2 ( $\overline{\text{SCS1}}$ , $\overline{\text{SCS2}}$ Controlled)<sup>(1),(4),(8)</sup>



- Notes:
1. A write occurs during the overlap of a low  $\overline{\text{SWE}}$ , a low  $\overline{\text{SCS1}}$ , a high  $\overline{\text{SCS2}}$  and a low  $\overline{\text{SUB}}$  and/or  $\overline{\text{SLB}}$ .
  2.  $t_{\text{WR}}$  is measured from the earlier of  $\overline{\text{SCS1}}$ ,  $\overline{\text{SLB}}$ ,  $\overline{\text{SUB}}$ , or  $\overline{\text{SWE}}$  going high or  $\overline{\text{SCS2}}$  going low to the end of write cycle.
  3. During this period, I/O pins are in the output state so that the input signals of opposite phase to the output must not be applied.
  4. If the  $\overline{\text{SCS1}}$ ,  $\overline{\text{SLB}}$  and  $\overline{\text{SUB}}$  low transition and  $\overline{\text{SCS2}}$  high transition occur simultaneously with the  $\overline{\text{SWE}}$  low transition or after the  $\overline{\text{SWE}}$  transition, outputs remain in a high impedance state.
  5. Q (data out) is the same phase with the write data of this write cycle.
  6. Q (data out) is the read data of the next address.
  7. Transition is measured + 200 mV from steady state. This parameter is sampled and not 100% tested.
  8.  $\overline{\text{SCS1}}$  in high for the standby, low for active.  $\overline{\text{SCS2}}$  in low for the standby, high for active.  $\overline{\text{SUB}}$  and  $\overline{\text{SLB}}$  in high for the standby, low for active.

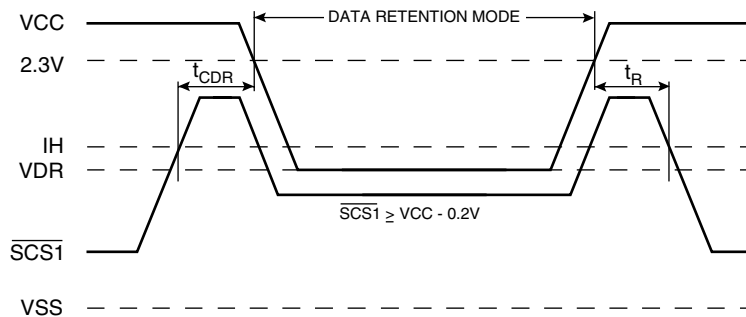
## Data Retention Electric Characteristic

$T_A = -40^{\circ}\text{C}$  to  $85^{\circ}\text{C}$

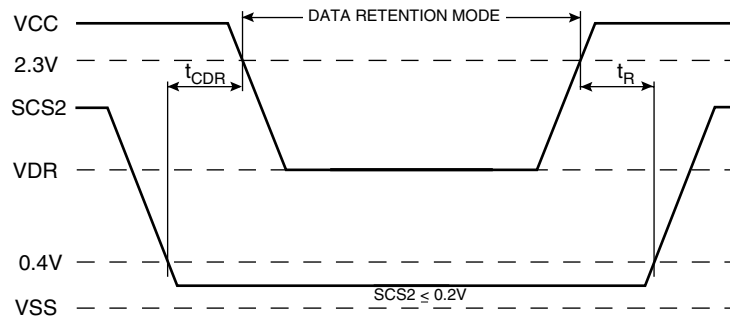
Symbol	Parameter	Test Condition	Min	Typ	Max	Unit
$V_{DR}$	$V_{CC}$ for Data Retention	$\overline{SCS1} > V_{CC} - 0.2\text{V}$ , $SCS2 \leq 0.2\text{V}$ or $V_{CC} - 0.2\text{V}$ , $V_{SS} \leq V_{IN} \leq V_{CC}$	1.2		3.3	V
$I_{CCDR}$	Data Retention Current	$V_{CC} = 3.0\text{V}$ , $\overline{SCS1} > V_{CC} - 0.2\text{V}$ or $SCS2 \leq V_{SS} + 0.2\text{V}$ or $V_{SS} \leq V_{IN} \leq V_{CC}$			9.5	$\mu\text{A}$
				0.4 <sup>(1)</sup>	0.7	$\mu\text{A}$
$t_{CDR}$	Chip Deselect to Data Retention Time	See Data Retention Timing Diagram	0			ns
$t_R$	Operating Recovery Time		$t_{RC}$ <sup>(2)</sup>			ns

Notes: 1. Typical values are under the condition of  $T_A = 25^{\circ}\text{C}$ . Typical values are sampled and not 100% tested.  
2.  $t_{RC}$  is read cycle time.

### Data Retention Timing Diagram 1



### Data Retention Timing Diagram 2



## 4-megabit SRAM Description

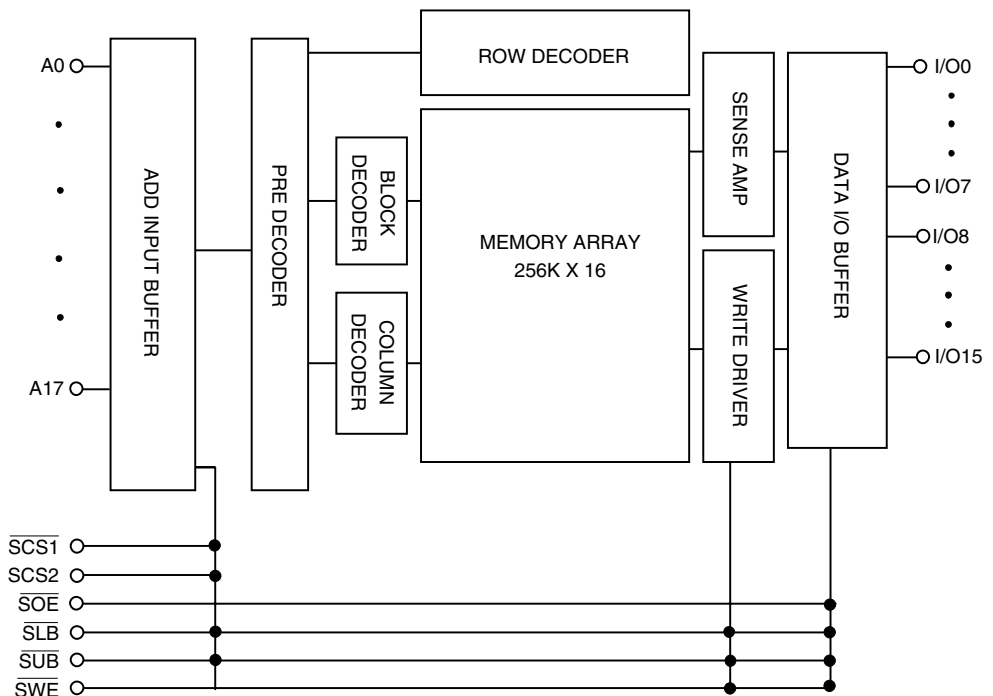
The 4-megabit SRAM is a high-speed, super low-power CMOS SRAM organized as 256K words by 16 bits. The SRAM uses high-performance full CMOS process technology and is designed for high-speed and low-power circuit technology. It is particularly well-suited for the high-density low-power system application. This device has a data retention mode that guarantees data to remain valid at a minimum power supply voltage of 1.2V.

## Features

- Fully Static Operation and Tri-state Output
- TTL Compatible Inputs and Outputs
- Battery Backup
  - 1.2V (Min) Data Retention

Voltage (V)	Speed (ns)	Operation Current/ $I_{CC}$ (mA) (Max)	Standby Current ( $\mu$ A) (Max)	Temperature ( $^{\circ}$ C)
2.7 - 3.3	70	5	15	-40 - 85

## Block Diagram





## Absolute Maximum Ratings<sup>(1)</sup>

Symbol	Parameter	Rating	Unit
$V_{IN}, V_{OUT}$	Input/Output Voltage	-0.3 to 3.6	V
$V_{CC}$	Power Supply	-0.3 to 4.6	V
$T_A$	Operating Temperature	-40 to 85	°C
$T_{STG}$	Storage Temperature	-55 to 150	°C
$P_D$	Power Dissipation	1.0	W

Note: 1. Stresses greater than those listed under “Absolute Maximum Ratings” may cause permanent damage to the device. This is stress rating only and the functional operation of the device under these or any other conditions above those indicated in the operation of this specification is not implied. Exposure to the absolute maximum rating conditions for extended period may affect reliability.

## Truth Table

$\overline{SCS1}$	SCS2	$\overline{SWE}$	$\overline{SOE}$	$\overline{SLB}^{(2)}$	$\overline{SUB}^{(2)}$	Mode	I/O Pin		Power
							I/O0 - I/O7	I/O8 - I/O15	
H <sup>(1)</sup>	X	X	X	X	X	Deselected	High-Z	High-Z	Standby
X <sup>(1)</sup>	L			H	H				
X	X			L	H				
L <sup>(1)</sup>	H	H	H	L	H	Output Disabled	High-Z	High-Z	Active
				H	L				
				L	L				
L	H	L	X	L	H	Write	D <sub>IN</sub>	High-Z	Active
				H	L		High-Z	D <sub>IN</sub>	
				L	L		D <sub>IN</sub>	D <sub>IN</sub>	
				L	L		D <sub>IN</sub>	High-Z	
L	H	H	L	L	H	Read	D <sub>OUT</sub>	High-Z	Active
				H	L		High-Z	D <sub>OUT</sub>	
				L	L		D <sub>OUT</sub>	D <sub>OUT</sub>	
				L	L		D <sub>OUT</sub>	High-Z	

Notes: 1. H =  $V_{IH}$ , L =  $V_{IL}$ , X = Don't Care ( $V_{IL}$  or  $V_{IH}$ )  
 2.  $\overline{SUB}$ ,  $\overline{SLB}$  (Upper, Lower Byte Enable). These active LOW inputs allow individual bytes to be written or read. When  $\overline{SLB}$  is LOW, data is written or read to the lower byte, I/O0 - I/O7. When  $\overline{SUB}$  is LOW, data is written or read to the upper byte, I/O8 - I/O15.

## Recommended DC Operating Condition

Symbol	Parameter	Min	Typ	Max	Unit
$V_{CC}$	Supply Voltage	2.7	3.0	3.3	V
$V_{SS}$	Ground	0	0	0	V
$V_{IH}$	Input High Voltage	2.2		$V_{CC} + 0.3$	V
$V_{IL}^{(1)}$	Input Low Voltage	-0.31 <sup>(1)</sup>		0.6	V

Note: 1. Undershoot:  $V_{IL} = -1.5V$  for pulse width less than 30 ns. Undershoot is sampled, not 100% tested.

## DC Electrical Characteristics

$T_A = -40^{\circ}\text{C}$  to  $85^{\circ}\text{C}$

Symbol	Parameter	Test Condition	Min	Max	Unit	
$I_{LI}$	Input Leakage Current	$V_{SS} < V_{IN} < V_{CC}$	-1	1	$\mu\text{A}$	
$I_{LO}$	Output Leakage Current	$V_{SS} < V_{OUT} < V_{CC}$ , $\overline{SCS1} = V_{IH}$ or $SCS2 = V_{IL}$ or $\overline{SOE} = V_{IH}$ or $\overline{SWE} = V_{IL}$ or $\overline{SUB} = V_{IH}$ , $\overline{SLB} = V_{IH}$	-1	1	$\mu\text{A}$	
$I_{CC}$	Operating Power Supply Current	$\overline{SCS1} = V_{IL}$ , $SCS2 = V_{IH}$ , $V_{IN} = V_{IH}$ or $V_{IL}$ , $I_{I/O} = 0 \text{ mA}$		5	mA	
$I_{CC1}$	Average Operating Current	$\overline{SCS1} = V_{IL}$ , $SCS2 = V_{IH}$ , $V_{IN} = V_{IH}$ or $V_{IL}$ , Cycle Time = Min 100% Duty, $I_{I/O} = 0 \text{ mA}$		35	mA	
		$\overline{SCS1} < 0.2\text{V}$ , $SCS2 > V_{CC} - 0.2\text{V}$ $V_{IN} < 0.2\text{V}$ or $V_{IN} > V_{CC} - 0.2\text{V}$ , Cycle Time = $1 \mu\text{s}$ 100% Duty, $I_{I/O} = 0 \text{ mA}$		5	mA	
$I_{SB}$	Standby Current (TTL Input)	$\overline{SCS1} = V_{IH}$ or $SCS2 = V_{IL}$ or $\overline{SUB}$ , $\overline{SLB} = V_{IH}$ $V_{IN} = V_{IH}$ or $V_{IL}$		0.5	mA	
$I_{SB1}$	Standby Current (CMOS Input)	$\overline{SCS1} > V_{CC} - 0.2\text{V}$ or $SCS2 < V_{SS} + 0.2\text{V}$ or $\overline{SUB}$ , $\overline{SLB} > V_{CC} - 0.2\text{V}$ $V_{IN} > V_{CC} - 0.2\text{V}$ or $V_{IN} < V_{SS} + 0.2\text{V}$	SL		4	$\mu\text{A}$
			LL		15	$\mu\text{A}$
$V_{OL}$	Output Low	$I_{OL} = 0.1 \text{ mA}$		0.4	V	
$V_{OH}$	Output High	$I_{OH} = -0.1 \text{ mA}$	2.4		V	

## Capacitance<sup>(1)</sup>

(Temp =  $25^{\circ}\text{C}$ , f = 1.0 MHz)

Symbol	Parameter	Condition	Max	Unit
$C_{IN}$	Input Capacitance (Add, $\overline{SCS1}$ , $SCS2$ , $\overline{SLB}$ , $\overline{SUB}$ , $\overline{SWE}$ , $\overline{SOE}$ )	$V_{IN} = 0 \text{ V}$	8	pF
$C_{OUT}$	Output Capacitance (I/O)	$V_{I/O} = 0 \text{ V}$	10	pF

Note: 1. These parameters are sampled and not 100% tested.

## AC Characteristics

$T_A = -40^{\circ}\text{C}$  to  $85^{\circ}\text{C}$ , Unless Otherwise Specified

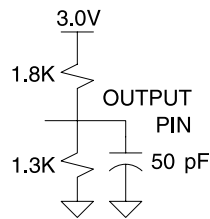
#	Symbol	Parameter	70 ns		Unit
			Min	Max	
1	$t_{RC}$	Read Cycle Time	70		ns
2	$t_{AA}$	Address Access Time		70	ns
3	$t_{ACS}$	Chip Select Access Time		70	ns
4	$t_{OE}$	Output Enable to Output Valid		35	ns
5	$t_{BA}$	$\overline{SLB}$ , $\overline{SUB}$ Access Time		70	ns
6	$t_{CLZ}$	Chip Select to Output in Low Z	10		ns
7	$t_{OLZ}$	Output Enable to Output in Low Z	5		ns
8	$t_{BLZ}$	$\overline{SLB}$ , $\overline{SUB}$ Enable to Output in Low Z	10		ns
9	$t_{CHZ}$	Chip Deselection to Output in High Z	0	30	ns
10	$t_{OHZ}$	Out Disable to Output in High Z	0	30	ns
11	$t_{BHZ}$	$\overline{SLB}$ , $\overline{SUB}$ Disable to Output in High Z	0	30	ns
12	$t_{OH}$	Output Hold from Address Change	10		ns
13	$t_{WC}$	Write Cycle Time	70		ns
14	$t_{CW}$	Chip Selection to End of Write	60		ns
15	$t_{AW}$	Address Valid to End of Write	60		ns
16	$t_{BW}$	$\overline{SLB}$ , $\overline{SUB}$ Valid to End of Write	60		ns
17	$t_{AS}$	Address Setup Time	0		ns
18	$t_{WP}$	Write Pulse Width	50		ns
19	$t_{WR}$	Write Recovery Time	0		ns
20	$t_{WHZ}$	Write to Output in High Z	0	20	ns
21	$t_{DW}$	Data to Write Time Overlap	30		ns
22	$t_{DH}$	Data Hold from Write Time	0		ns
23	$t_{OW}$	Output Active from End of Write	5		ns

## AC Test Conditions

$T_A = -40^{\circ}\text{C}$  to  $85^{\circ}\text{C}$ , Unless Otherwise Specified

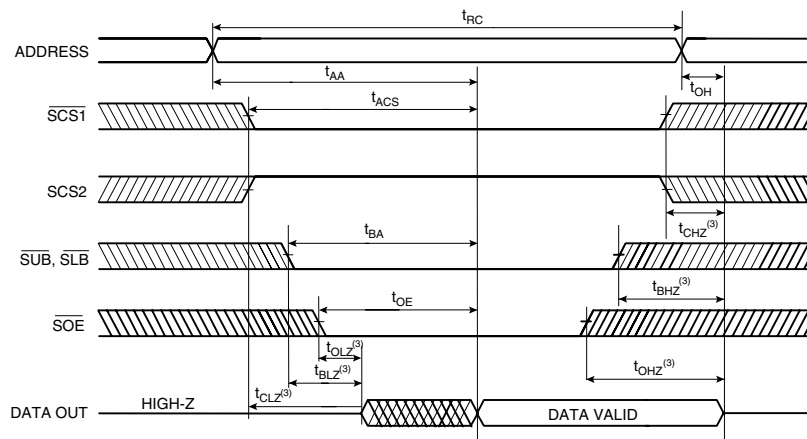
Parameter	Value
Input Pulse Level	0.4V to 2.2V
Input Rise and Fall Time	5 ns
Input and Output Timing Reference Level	1.5V
Output Load	CL = 5 pF + 1 TTL Load
	CL = 30 pF + 1 TTL Load

## Output Test Load

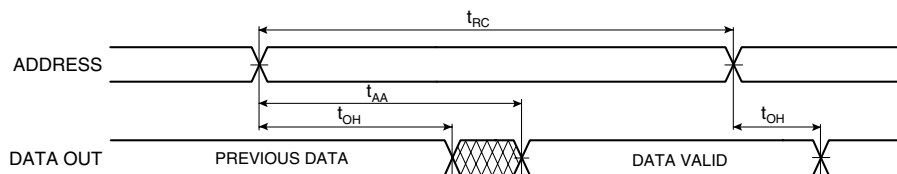


## Timing Diagrams

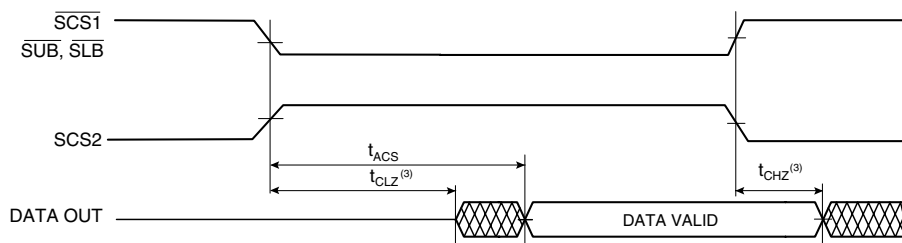
### Read Cycle 1<sup>(1),(4)</sup>



### Read Cycle 2<sup>(1),(2),(4)</sup>

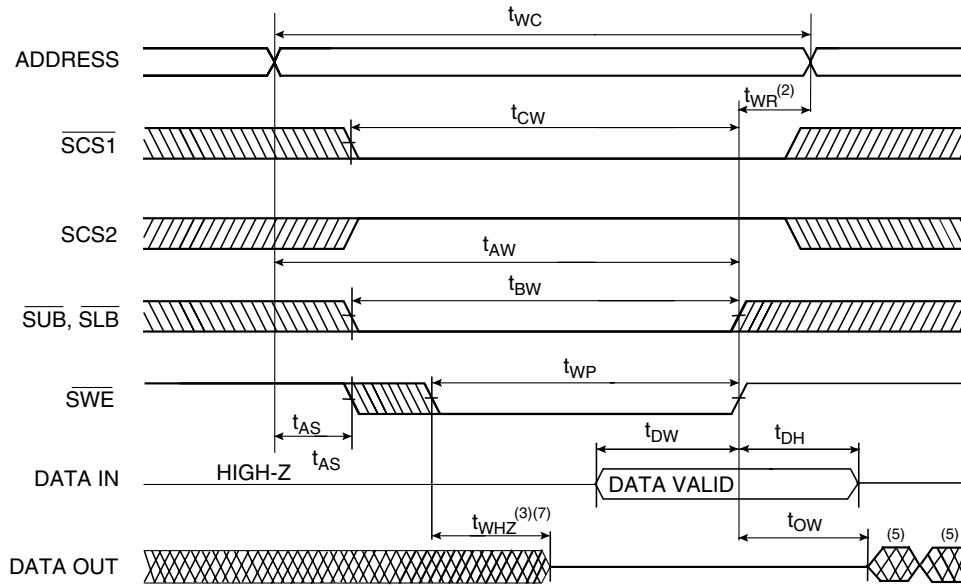


### Read Cycle 3<sup>(1),(2),(4)</sup>

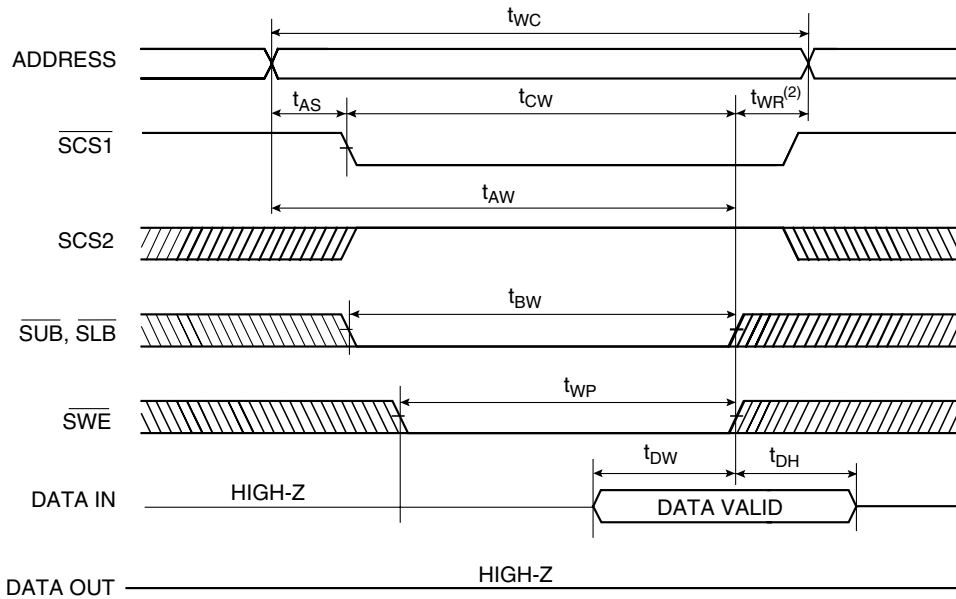


- Notes:
1. Read Cycle occurs whenever a high on the  $\overline{SWE}$  and  $\overline{SOE}$  is low, while  $\overline{SUB}$  and/or  $\overline{SLB}$  and  $\overline{SCS1}$  and  $SCS2$  are in active status.
  2.  $\overline{SOE} = V_{IL}$ .
  3. Transition is measured + 200 mV from steady state voltage. This parameter is sampled and not 100% tested.
  4.  $\overline{SCS1}$  in high for the standby, low for active.  $SCS2$  in low for the standby, high for active.  $\overline{SUB}$  and  $\overline{SLB}$  in high for the standby, low for active.

## Write Cycle 1 ( $\overline{\text{SWE}}$ Controlled)<sup>(1),(4),(8)</sup>



## Write Cycle 2 ( $\overline{\text{SCS1}}, \text{SCS2}$ Controlled)<sup>(1),(4),(8)</sup>



- Notes:
1. A write occurs during the overlap of a low  $\overline{\text{SWE}}$ , a low  $\overline{\text{SCS1}}$ , a high  $\text{SCS2}$  and a low  $\overline{\text{SUB}}$  and/or  $\overline{\text{SLB}}$ .
  2.  $t_{WR}$  is measured from the earlier of  $\overline{\text{SCS1}}$ ,  $\overline{\text{SLB}}$ ,  $\overline{\text{SUB}}$ , or  $\overline{\text{SWE}}$  going high or  $\text{SCS2}$  going low to the end of write cycle.
  3. During this period, I/O pins are in the output state so that the input signals of opposite phase to the output must not be applied.
  4. If the  $\overline{\text{SCS1}}$ ,  $\overline{\text{SLB}}$  and  $\overline{\text{SUB}}$  low transition and  $\text{SCS2}$  high transition occur simultaneously with the  $\overline{\text{SWE}}$  low transition or after the  $\overline{\text{SWE}}$  transition, outputs remain in a high impedance state.
  5. Q (data out) is the same phase with the write data of this write cycle.
  6. Q (data out) is the read data of the next address.
  7. Transition is measured + 200 mV from steady state. This parameter is sampled and not 100% tested.
  8.  $\overline{\text{SCS1}}$  in high for the standby, low for active.  $\text{SCS2}$  in low for the standby, high for active.  $\overline{\text{SUB}}$  and  $\overline{\text{SLB}}$  in high for the standby, low for active.

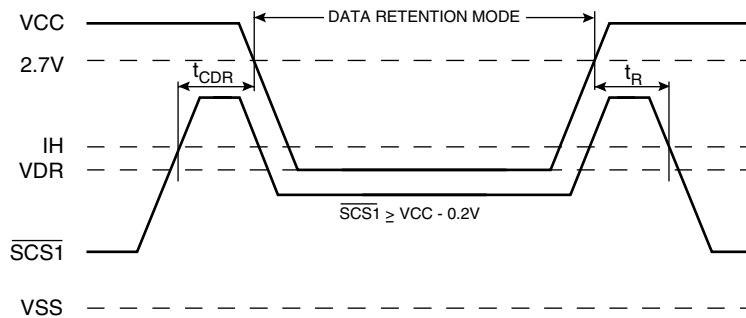
## Data Retention Electric Characteristic

$T_A = -40^{\circ}\text{C}$  to  $85^{\circ}\text{C}$

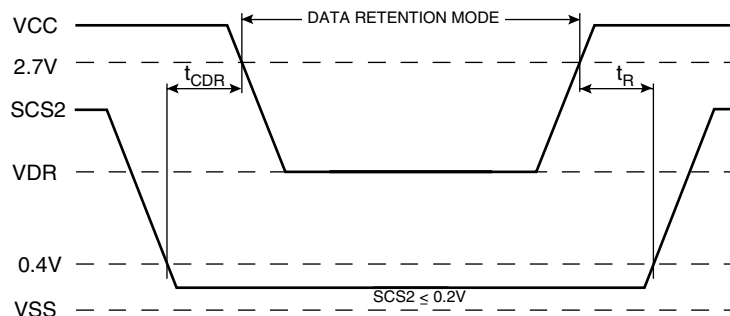
Symbol	Parameter	Test Condition	Min	Typ <sup>(1)</sup>	Max	Unit	
$V_{DR}$	$V_{CC}$ for Data Retention	$\overline{SCS1} > V_{CC} - 0.2\text{V}$ or $SCS2 < V_{SS} + 0.2\text{V}$ or $\overline{SUB}, \overline{SLB} > V_{CC} - 0.2\text{V}$ $V_{IN} > V_{CC} - 0.2\text{V}$ or $V_{IN} < V_{SS} + 0.2\text{V}$	1.2		3.3	V	
$I_{CCDR}$	Data Retention Current	$V_{CC}=1.5\text{V}$ , $\overline{SCS1} > V_{CC} - 0.2\text{V}$ or $SCS2 < V_{SS} + 0.2\text{V}$ or $\overline{SUB}, \overline{SLB} > V_{CC} - 0.2\text{V}$ $V_{IN} > V_{CC} - 0.2\text{V}$ or $V_{IN} < V_{SS} + 0.2\text{V}$	SL		0.1	2	$\mu\text{A}$
			LL		0.1	10	$\mu\text{A}$
$t_{CDR}$	Chip Deselect to Data Retention Time	See Data Retention Timing Diagram	0			ns	
$t_R$	Operating Recovery Time		$t_{RC}^{(2)}$			ns	

Note: 1. Typical values are under the condition of  $T_A = 25^{\circ}\text{C}$ . Typical values are sampled and not 100% tested.  
2.  $t_{RC}$  is read cycle time.

### Data Retention Timing Diagram 1



### Data Retention Timing Diagram 2



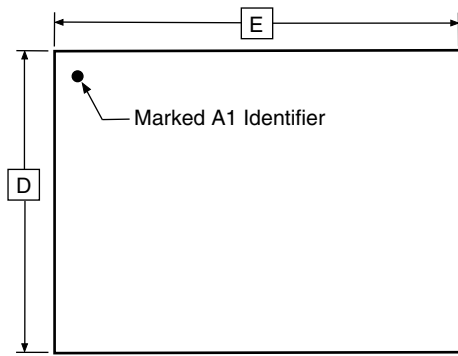
## Ordering Information

t <sub>ACC</sub> (ns)	Voltage Range	Ordering Code	Boot Block	Package	Operation Range
70	2.7V - 3.3V	AT52BR1662T-70CI	Top	66C5	Industrial (-40° to 85°C)
90	2.7V - 3.3V	AT52BR1662T-90CI	Top	66C5	Industrial (-40° to 85°C)
70	2.7V - 3.3V	AT52BR1664T-70CI	Top	66C5	Industrial (-40° to 85°C)
90	2.7V - 3.3V	AT52BR1664T-90CI	Top	66C5	Industrial (-40° to 85°C)
70	2.7V - 3.3V	AT52BR1662-70CI	Bottom	66C5	Industrial (-40° to 85°C)
90	2.7V - 3.3V	AT52BR1662-90CI	Bottom	66C5	Industrial (-40° to 85°C)
70	2.7V - 3.3V	AT52BR1664-70CI	Bottom	66C5	Industrial (-40° to 85°C)
90	2.7V - 3.3V	AT52BR1664-90CI	Bottom	66C5	Industrial (-40° to 85°C)

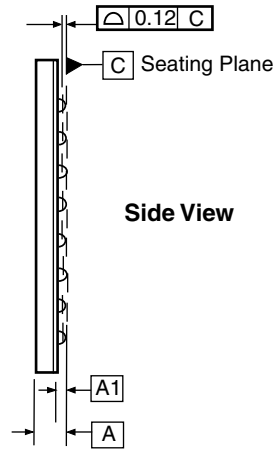
Package Type	
<b>66C5</b>	66-ball, Plastic Chip-scale Ball Grid Array Package (CBGA)

# Packaging Information

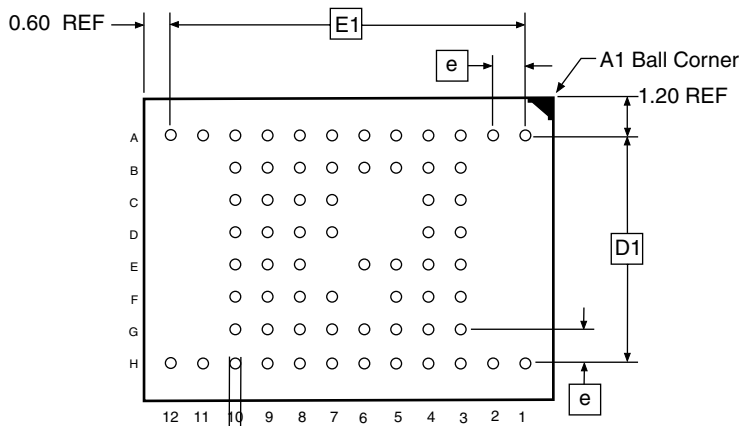
## 66C5 – CBGA



Top View



Side View



Bottom View

**COMMON DIMENSIONS**  
(Unit of Measure = mm)

SYMBOL	MIN	NOM	MAX	NOTE
E	9.90	10.00	10.10	
E1	–	8.80	–	
D	7.90	8.00	8.10	
D1	–	5.60	–	
A	–	–	1.20	
A1	0.25	–	–	
e	0.80 BSC			
Øb	–	0.40	–	

09/19/01



2325 Orchard Parkway  
San Jose, CA 95131

**TITLE**

**66C5**, 66-ball (12 x 8 Array), 10 x 8 x 1.2 mm Body, 0.8 mm Ball Pitch Chip-scale Ball Grid Array Package (CBGA)

**DRAWING NO.**

66C5

**REV.**

A





## Atmel Headquarters

### *Corporate Headquarters*

2325 Orchard Parkway  
San Jose, CA 95131  
TEL 1(408) 441-0311  
FAX 1(408) 487-2600

### *Europe*

Atmel Sarl  
Route des Arsenaux 41  
Case Postale 80  
CH-1705 Fribourg  
Switzerland  
TEL (41) 26-426-5555  
FAX (41) 26-426-5500

### *Asia*

Room 1219  
Chinachem Golden Plaza  
77 Mody Road Tsimshatsui  
East Kowloon  
Hong Kong  
TEL (852) 2721-9778  
FAX (852) 2722-1369

### *Japan*

9F, Tonetsu Shinkawa Bldg.  
1-24-8 Shinkawa  
Chuo-ku, Tokyo 104-0033  
Japan  
TEL (81) 3-3523-3551  
FAX (81) 3-3523-7581

## Atmel Operations

### *Memory*

2325 Orchard Parkway  
San Jose, CA 95131  
TEL 1(408) 441-0311  
FAX 1(408) 436-4314

### *Microcontrollers*

2325 Orchard Parkway  
San Jose, CA 95131  
TEL 1(408) 441-0311  
FAX 1(408) 436-4314

La Chantrerie  
BP 70602  
44306 Nantes Cedex 3, France  
TEL (33) 2-40-18-18-18  
FAX (33) 2-40-18-19-60

### *ASIC/ASSP/Smart Cards*

Zone Industrielle  
13106 Rousset Cedex, France  
TEL (33) 4-42-53-60-00  
FAX (33) 4-42-53-60-01

1150 East Cheyenne Mtn. Blvd.  
Colorado Springs, CO 80906  
TEL 1(719) 576-3300  
FAX 1(719) 540-1759

Scottish Enterprise Technology Park  
Maxwell Building  
East Kilbride G75 0QR, Scotland  
TEL (44) 1355-803-000  
FAX (44) 1355-242-743

### *RF/Automotive*

Theresienstrasse 2  
Postfach 3535  
74025 Heilbronn, Germany  
TEL (49) 71-31-67-0  
FAX (49) 71-31-67-2340

1150 East Cheyenne Mtn. Blvd.  
Colorado Springs, CO 80906  
TEL 1(719) 576-3300  
FAX 1(719) 540-1759

### *Biometrics/Imaging/Hi-Rel MPU/ High Speed Converters/RF Datacom*

Avenue de Rochepleine  
BP 123  
38521 Saint-Egreve Cedex, France  
TEL (33) 4-76-58-30-00  
FAX (33) 4-76-58-34-80

---

### *e-mail*

literature@atmel.com

### *Web Site*

<http://www.atmel.com>

### © Atmel Corporation 2002.

Atmel Corporation makes no warranty for the use of its products, other than those expressly contained in the Company's standard warranty which is detailed in Atmel's Terms and Conditions located on the Company's web site. The Company assumes no responsibility for any errors which may appear in this document, reserves the right to change devices or specifications detailed herein at any time without notice, and does not make any commitment to update the information contained herein. No licenses to patents or other intellectual property of Atmel are granted by the Company in connection with the sale of Atmel products, expressly or by implication. Atmel's products are not authorized for use as critical components in life support devices or systems.

ATMEL® is the registered trademark of Atmel.

Other terms and product names may be the trademarks of others.



Printed on recycled paper.