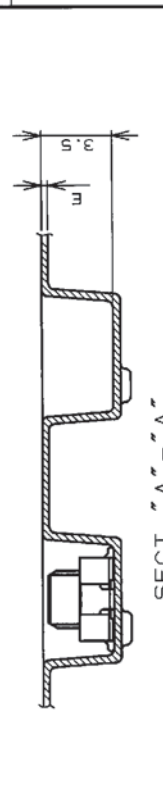
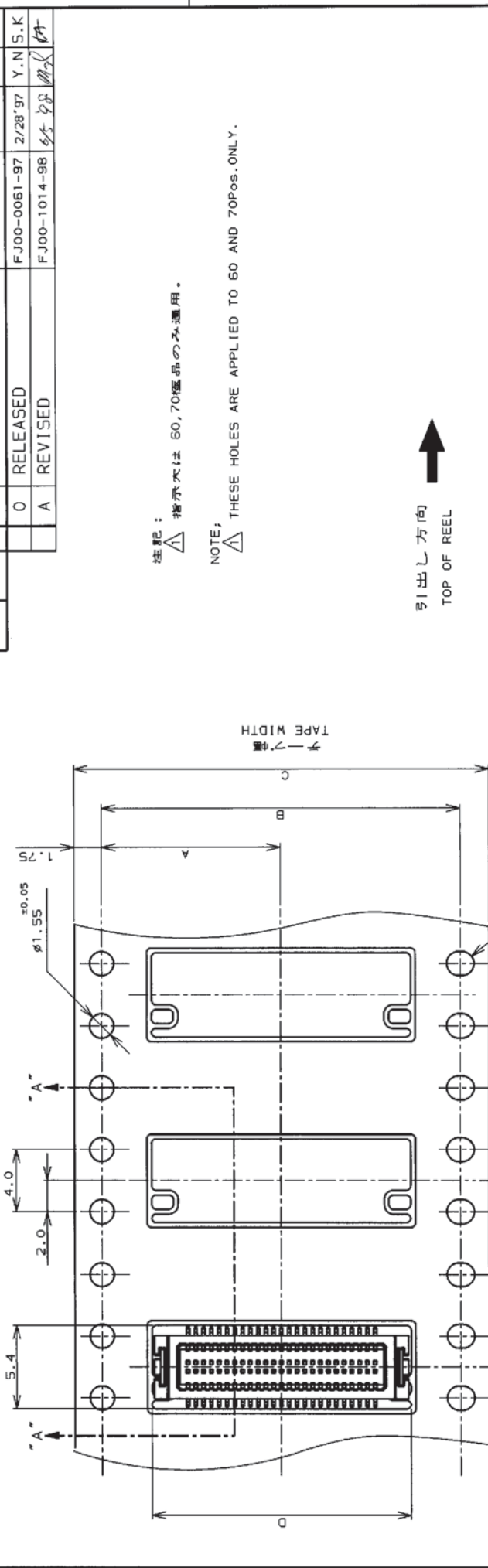


THIS DRAWING IS UNPUBLISHED. RELEASED FOR PUBLICATION BY AMP INCORPORATED. ALL RIGHTS RESERVED. COPYRIGHT 1989



注記：
 指示穴は 60,70極品のみ適用。
 NOTE:
 THESE HOLES ARE APPLIED TO 60 AND 70POS. ONLY.

引出し方向
 TOP OF REEL

W ₂	W ₁	E	D	C	B	A	数量 (ヶ)	種類 (ヶ)	コネクタ型番	リール型番	TAPING P/N
37.5	33.5	0.4	21.9	32	28.4	14.2	70	7-	-0	7-	-0
37.5	33.5	0.38	19.1	32	28.4	14.2	60	6-	-0	6-	-0
29.5	25.5	0.38	16.6	24	11.5	10.00	50	5-917797-0	5-316289-0		

REV. 1	DATE 2/28/97	BY Y.N.S.K.
REV. 2	DATE 6/5/98	BY M.K.
REV. 3	DATE	BY

LOC	REV. 1
DESCRIPTION	AMP
ECN	FJ00-0061-97
DATE	2/28/97
DWN	Y.N.S.K.
APVD	M.K.

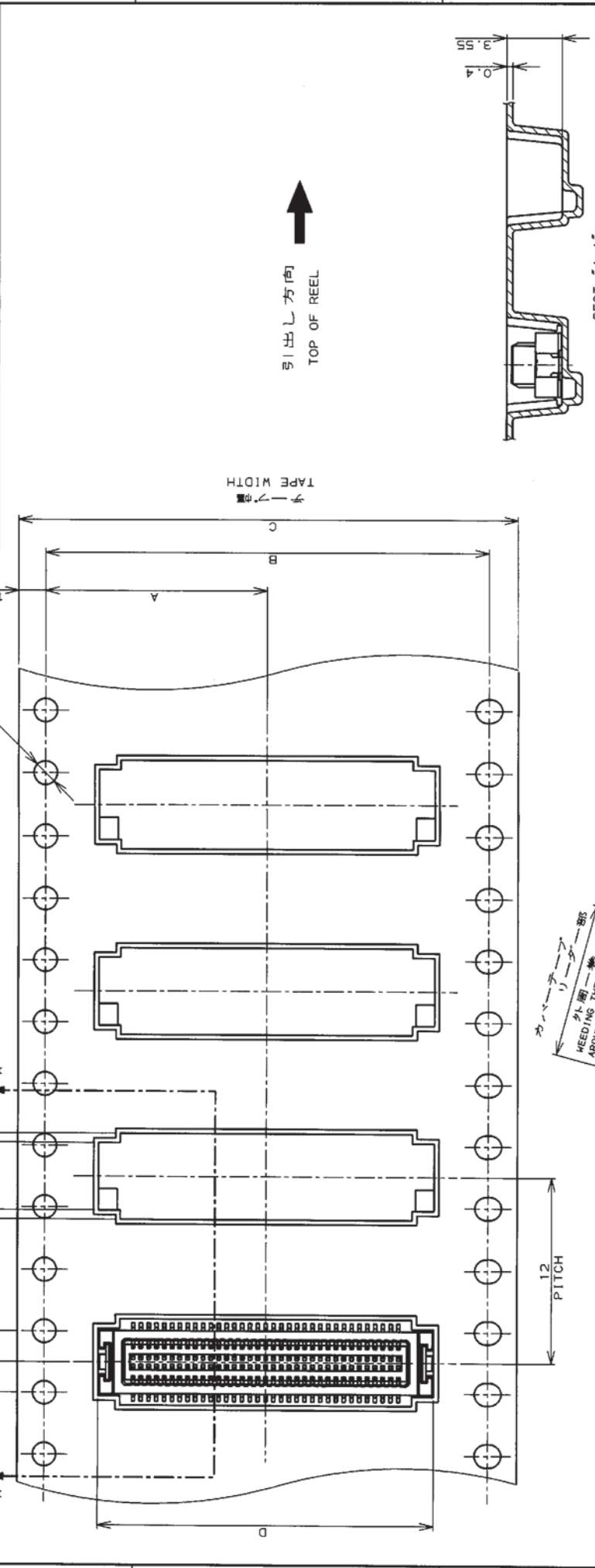
REV. 1	DATE 2/28/97	BY Y.N.S.K.
REV. 2	DATE 6/5/98	BY M.K.
REV. 3	DATE	BY

REV. 1	DATE 2/28/97	BY Y.N.S.K.
REV. 2	DATE 6/5/98	BY M.K.
REV. 3	DATE	BY

4 3 2 1

THIS DRAWING IS UNPUBLISHED. BY AMP INCORPORATED. ALL RIGHTS RESERVED. .19

P	LTR	DESCRIPTION	ECN	DATE	DWN	APVD
		SEE SHEET 1 OF 3				



50.5	45.5	24	44	40.4	20.2	1000	80	8-917797-0	8-316289-0
W ₂	W ₁	D	C	B	A	数量 (個)	巻数 (巻)	コネクタ型番 (シマボック)	リール巻 (コネクタ型番)
DIMENSIONS (mm)							INSULATION DIA 絶縁外径		

HANDLING AND OPERATION 取扱説明書	411-5808
DIN 規格	411-5808
CHK 担当者	K. Shiroishi
APPROVED 承認	K. Shiroishi
PRODUCT SPEC 製品仕様	108-5496
APPLICATION SPEC 取付運用仕様	
WEIGHT 重量	

<p>AMP</p> <p>ON TAPING (EMB055) 0.5mm PITCH Fine Mate CONN. RECEPTACLE ASSEMBLY</p>	
<p>SIZE (CASE CODE) 取付コード</p> <p>A3 00779 C=316289</p>	
<p>RESTRICTED TO</p>	
<p>CUSTOMER DRAWING</p>	
SCALE 尺度	SHEET 3 OF 3
REV 3	A