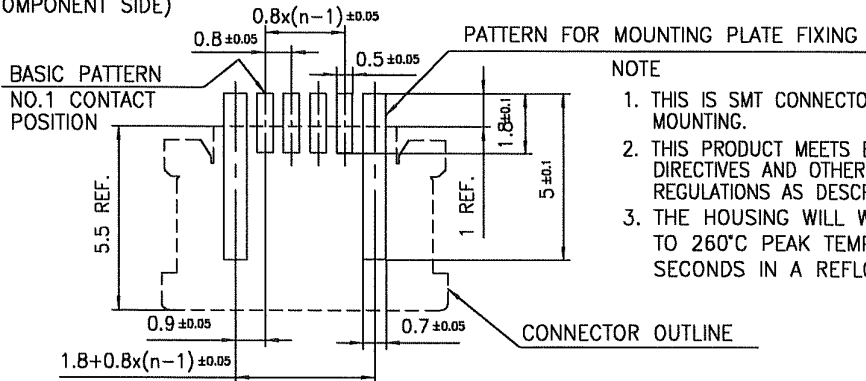


| PT. NO. | PARTS NAME | MATERIAL | Q'TY | NOTE |
|---------|----------------|--------------------------------------|------|-------------------------|
| 1 | HOUSING | PPS RESIN GLASS REINFORCED (UL94V-0) | 1 | COLOR:BLACK |
| 2 | SLIDER | | 1 | |
| 3 | CONTACT | PHOSPHOR BRONZE | n | PLATING:TIN (LEAD FREE) |
| 4 | MOUNTING PLATE | | 2 | |

n : NO. OF CONTACTS

RECOMMENDED PC BOARD LAYOUT (COMPONENT SIDE)



- NOTE
1. THIS IS SMT CONNECTOR FOR AUTOMATIC MOUNTING.
 2. THIS PRODUCT MEETS EUROPEAN UNION DIRECTIVES AND OTHER COUNTRY REGULATIONS AS DESCRIBED IN GS-22-008.
 3. THE HOUSING WILL WITHSTAND EXPOSURE TO 260°C PEAK TEMPERATURE FOR 10 SECONDS IN A REFLOW SOLDERING OVEN.

| | | | | | | | | | | | |
|-------------|----------|------------------|----------|---------------------------------------|--------|------------|--|---|--|---------|--|
| mat'l. code | | surface ISO 1302 | | tolerance ISO 406 ISO 1101 | | projection | | product family 58BF | | CODE JP | |
| ltr | ecn no | dr | date | tolerances unless otherwise specified | | mm | | title | | | |
| A | J05-0280 | H.T | 5/12/05 | angles | linear | ±0.2 | | 0.8mm SPACING CONNECTOR (Cat. No. SFR4R-1ST_LF) | | | |
| B | J05-0730 | H.T | 10/28/05 | | | | | dwg no sheet 1 of 1 size | | | |
| C | J06-0485 | H.T | 11/20/06 | | | | | JSA 96439 A4 | | | |
| sheet index | | revision sheet | C 1 | dr | | engr | | type Product Customer Drawing | | Rev. C | |

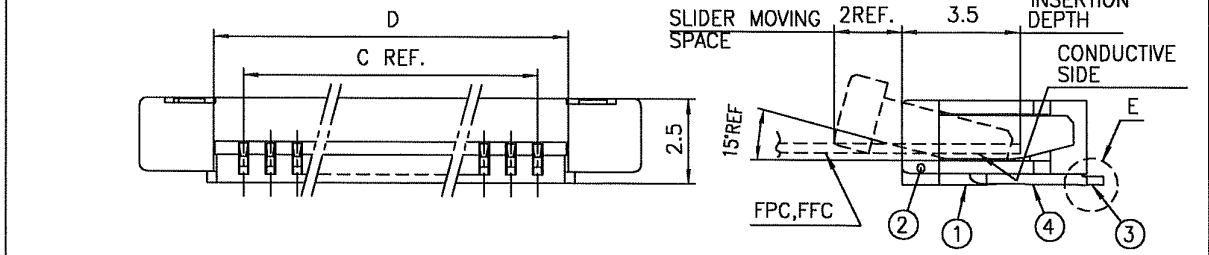
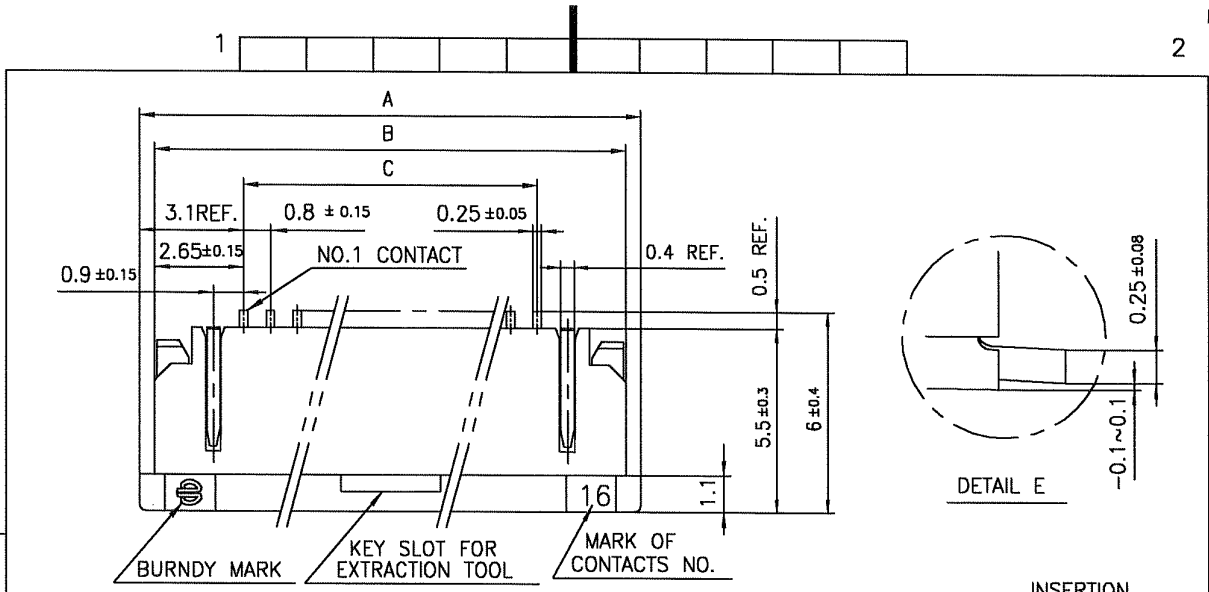
SC-SFR04 JSA96438 form: A4



FCIconnect.com

Copyright FCI.

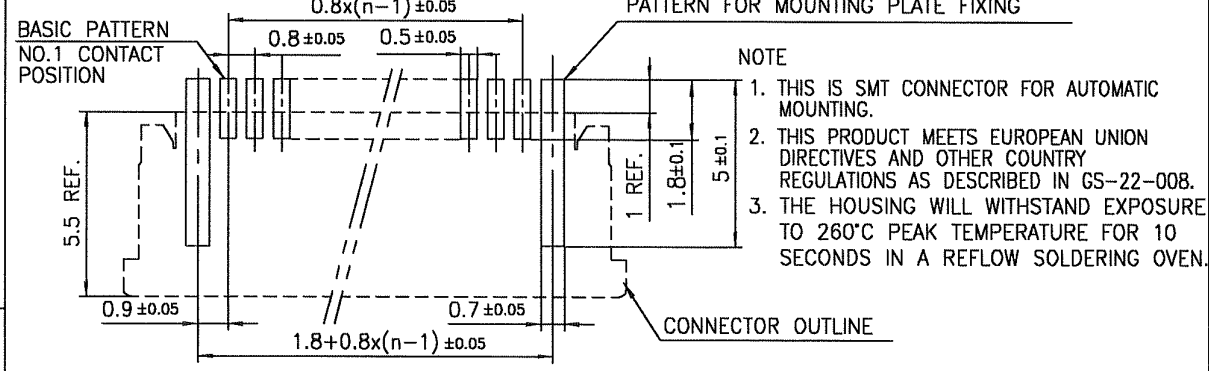




| PT. NO. | PARTS NAME | MATERIAL | Q'TY | NOTE |
|---------|----------------|---|------|------------------------------|
| 1 | HOUSING | PPS RESIN GLASS REINFORCED (UL94V-0) | 1 | COLOR : BLACK |
| 2 | SLIDER | | 1 | |
| 3 | CONTACT | PHOSPHOR BRONZE | n | PLATING : TIN (LEAD FREE) |
| 4 | MOUNTING PLATE | | 2 | |

n : NO. OF CONTACTS

RECOMMENDED PC BOARD LAYOUT
(COMPONENT SIDE)



| | | | | | | | | | | | |
|-------------|----------|------------------|----------|---------------------------------------|--------|------------|--|--|--|---------|--|
| mat'l. code | | surface ISO 1302 | | tolerance ISO 406 ISO 1101 | | projection | | product family 58BF | | CODE JP | |
| ltr | ecn no | dr | date | tolerances unless otherwise specified | | mm | | title | | | |
| A | J05-0280 | H.T | 5/12/05 | angles | linear | mm | | 0.8mm SPACING CONNECTOR (Cat. No. SFR__R-1ST__LF) | | | |
| B | J05-0730 | H.T | 10/28/05 | | | scale X | | dwg no sheet 1 of 1 size | | | |
| C | J06-0485 | H.T | 11/20/06 | | | | | JSA 96440 A4 | | | |
| sheet index | | revision | C | dr | | engr | | type Product Customer Drawing | | | |
| sheet | | sheet | 1 | chr | | appd | | Rev. c | | | |

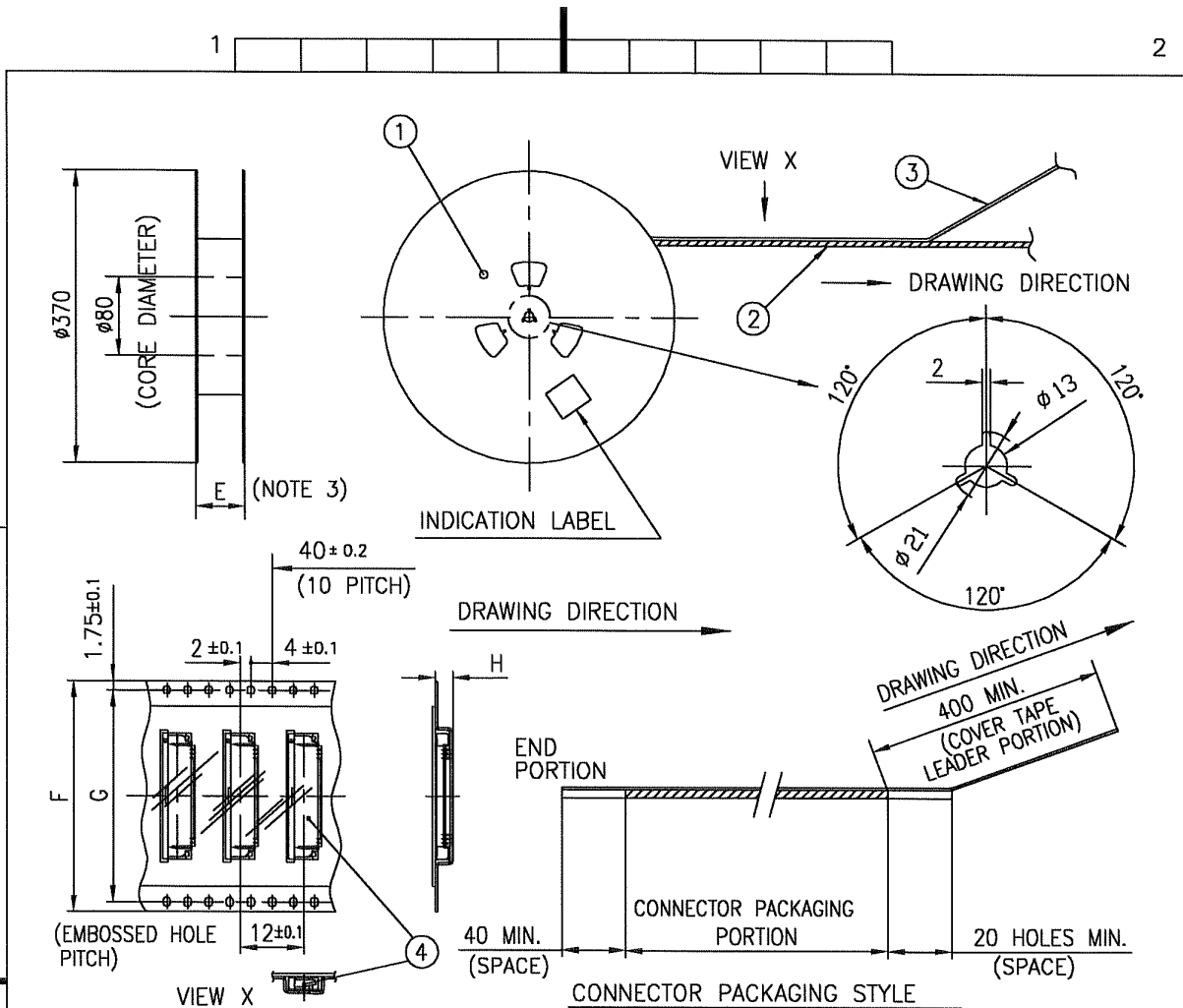
SC-SFR04 JSA9643B form: A4



FCIconnect.com

Copyright FCI.





| PT. NO. | PARTS NAME | CAT. NO. | MATERIAL | Q'TY | NOTE |
|---------|-----------------------|--------------|------------------------|-------|--------------------|
| 1 | REEL | _____ | CARDBOARD | 1 | COLOR:GRAY |
| 2 | PLASTIC (EMBOSS) TAPE | _____ | POLYPROPYLENE or A-PET | _____ | COLOR:TRANSPARENCY |
| 3 | COVER | _____ | POLYESTER | _____ | COLOR:TRANSPARENCY |
| 4 | SURFLOK CONNECTOR | SFR_R-1ST_LF | SEE ATTACHED DWG | 2000 | _____ |

NOTES

- THIS IS PLASTIC TAPE PACKAGED SMT CONNECTORS FOR AUTOMATIC MOUNTING.
- SEE JIS C 0806 (PACKING OF ELECTRONIC COMPONENTS ON CONTINUOUS TAPES (SURFACE MOUNTING DEVICES)) FOR SHAPE AND DIMENSIONS OF PLASTIC (EMBOSS) TAPE AND REEL.
- E DIMENSION IS PORTION OF THE CORE.

| | | | | | | | | | |
|-------------|----------|-----|----------|---|----------------|------------|--|------|--------------|
| mat'l. code | | | | surface <input checked="" type="checkbox"/> ISO 1302 <input checked="" type="checkbox"/> tolerance <input checked="" type="checkbox"/> ISO 406 <input checked="" type="checkbox"/> ISO 1101 | | projection | product family | 58BF | CODE JP |
| ltr | ecn no | dr | date | tolerances unless otherwise specified | | mm | title PLASTIC TAPE PACKAGED 0.8mm SPACING CONNECTOR (Cat. No. SFR__R-1STE1LF) | | |
| A | J05-0280 | H.T | 5/12/05 | angles | ±5 | | | | |
| B | J06-0485 | H.T | 11/20/06 | linear | | scale | dwg no | | sheet 1 of 1 |
| | | | | ±5' | | | JSA 96442 | | size A4 |
| | | | | dr | <i>H. Sudo</i> | 11/20/06 | type Product Customer Drawing | | |
| | | | | enr | <i>H. Sudo</i> | 11/20/06 | | | |
| | | | | chr | <i>K. Sudo</i> | 11/20/06 | | | |
| | | | | appd | <i>S. Sudo</i> | 11/21/06 | | | |
| sheet index | revision | B | | | | | | | Rev B |
| | sheet | 1 | | | | | | | |

SC-SFRD4 JSA96441 form: A4



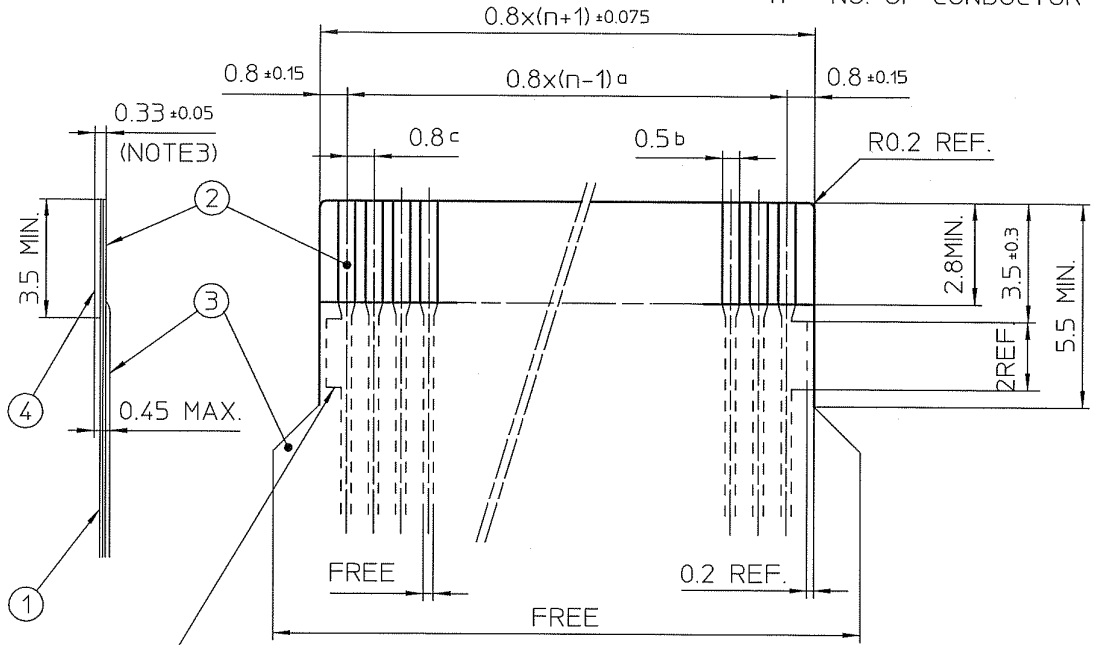
FCIconnect.com

Copyright FCI.



RECOMMENDED CABLE (FPC)

n : NO. OF CONDUCTOR



INSERTION INSPECTION MARK

| KIND OF FPC (NOTE 4) | DIMENSIONAL TOLERANCE | | |
|----------------------|-----------------------|--------|--------|
| | a | b | c |
| 1 | ±0.04 | ±0.05 | ±0.04 |
| 2 | ±0.035 | ±0.075 | ±0.035 |

| PT. NO. | PARTS NAME | MATERIAL | THICKNESS (μm) |
|---------|-----------------|---|----------------|
| 1 | BASE FILM | POLYIMIDE OR POLYESTER OR EQUAL | 25 |
| 2 | CONDUCTOR | COPPER FOIL (PLATING : SOLDER 1μm MIN.) | 35 |
| 3 | OVERLAY | POLYIMIDE OR POLYESTER OR EQUAL | — |
| 4 | SUPPORTING TAPE | POLYESTER OR POLYIMIDE OR EQUAL | 188 |

NOTES

1. NO BURR AT EACH PORTION.
2. NO PEELING IN COMMON USE.
3. TOTAL THICKNESS LIMIT OF EACH MATERIAL (INCLUDING ADHESIVE AGENT) IS SPECIFIED.
4. EITHER KIND1 OR KIND2 OF FPC CAN ACCEPT DIMENSIONAL TOLERANCE a,b AND C.



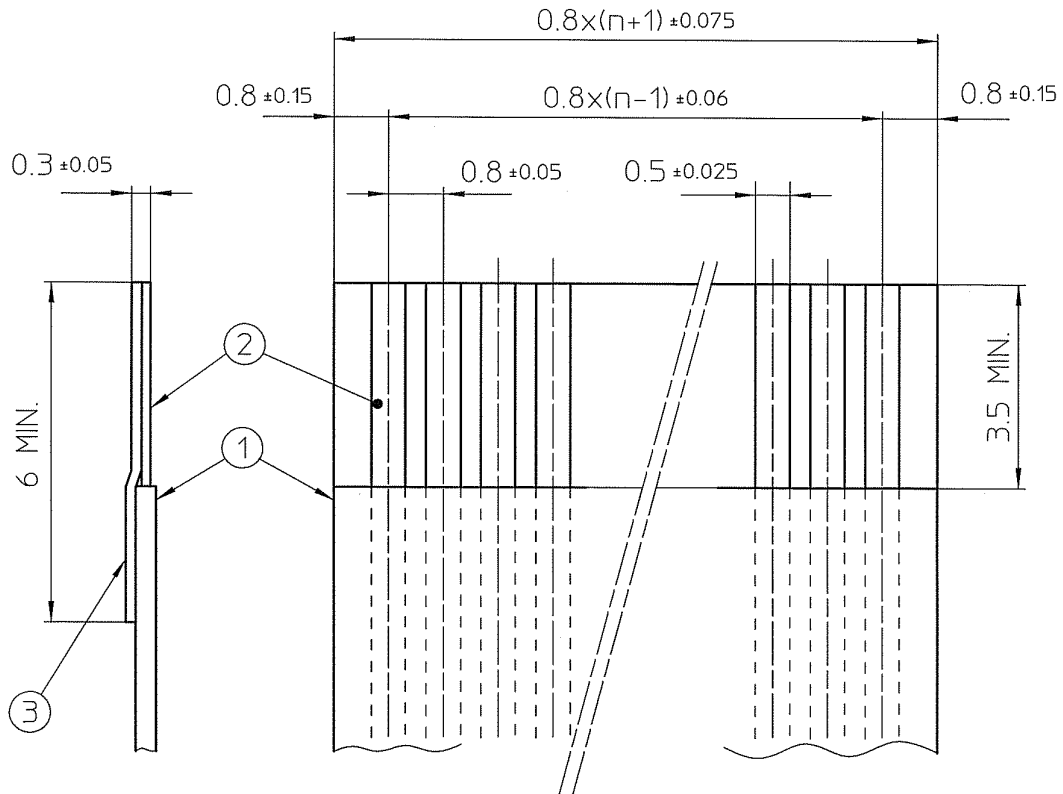
FCIconnect.com

Copyright FCJ

| | | | | | | | | | | |
|-------------|----------------|--|-----------|---|--|------------|--|---|--|---------|
| mat'l. code | | surface <input checked="" type="checkbox"/> ISO 1302 | | tolerance <input checked="" type="checkbox"/> ISO 406 <input type="checkbox"/> ISO 1101 | | projection | | product family 58BF | | |
| ltr | ecn no | dr | date | tolerances unless otherwise specified | | | | | | |
| AA | J04-0357 | H.T | Oct.13/04 | angles | | linear | | title | | |
| AB | J06-0351 | H.T | 8/29/06 | | | | | RECOMMENDED CABLE (CAT.No.SFR__R-1ST__) | | |
| | | | | | | scale X | | dwg no | | |
| | | | | | | FCJ | | sheet 1 of 1 | | |
| | | | | | | | | JSA 90454 | | |
| | | | | | | | | size A4 | | |
| | | | | | | | | type Product Customer Drawing | | |
| sheet index | revision sheet | AB | 1 | | | | | | | Rev. AB |

RECOMMENDED CABLE (FFC)

n : NO. OF CONDUCTORS



| PT. NO. | PARTS NAME | MATERIAL | NOTE |
|---------|-----------------|------------------------------------|--------------------------------------|
| 1 | INSULATOR | FLAME RESISTING POLYESTER OR EQUAL | _____ |
| 2 | CONDUCTOR | COPPER FOIL : 50 μm | PLATING : TIN OR SOLDER 1 μm MIN. |
| 3 | SUPPORTING TAPE | FLAME RESISTING POLYESTER OR EQUAL | _____ |

NOTES

1. NO BURR AT EACH PORTION.
2. NO PEELING IN COMMON USE.

| | | | | | | | | | |
|-------------|----------------|--|----------|---|--|------------|--|--|--|
| mat'l. code | | surface <input checked="" type="checkbox"/> ISO 1302 | | tolerance <input checked="" type="checkbox"/> ISO 406 <input type="checkbox"/> ISO 1101 | | projection | | product family 58BF | |
| ltr | ecn no | dr | date | tolerances unless otherwise specified | | | | | |
| AA | J04-0357 | H.T | Oct13/04 | angles | | linear | | title | |
| AB | J06-0351 | H.T | 8/29/06 | | | | | RECOMMENDED CABLE (FFC) (CAT.No.SFR__R-1ST__) | |
| | | | | | | scale | | dwg no sheet 1 of 1 size | |
| | | | | dr <i>R. Shouji</i> 8/29/06 | | | | JSA 90455 A4 | |
| | | | | enr <i>R. Shouji</i> 8/29/06 | | | | type Product Customer Drawing | |
| | | | | chr <i>R. Shouji</i> 8/29/06 | | | | Rev. AB | |
| | | | | appd <i>R. Shouji</i> 8/29/06 | | | | D | |
| sheet index | revision sheet | AB | 1 | | | | | | |



FCconnect.com

Copyright FCJ

