



FCIconnect.com

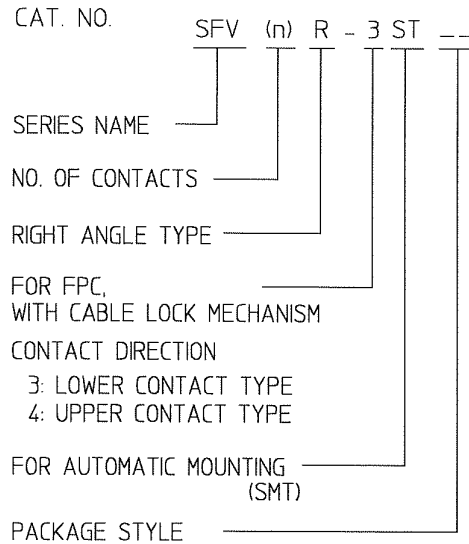
List of "SFV\_\_R-3/4STE1" customer document

DOCUMENT NO.	LIST
SC-SFV02	SPEC.
JSA92600	CAT.NO.TABLE FOR 0.5mm CONTACT SPACING CONNECTOR (SFV__R-3/4ST_)
JSA92601	CONNECTOR USED FOR FPC WITH 0.5mm CONTACT SPACING (SFV__R-3ST_)
JSA92602	CONNECTOR USED FOR FPC WITH 0.5mm CONTACT SPACING (SFV__R-4ST_)
JSA92603	CAT.NO.TABLE FOR PLASTIC TAPE PACKAGED 0.5mm CONTACT SPACING CONNECTOR (SFV__R-3/4STE1)
JSA92604	PLASTIC TAPE PACKAGED 0.5mm CONTACT SPACING CONNECTOR (SFV__R-3STE1)
JSA92605	PLASTIC TAPE PACKAGED 0.5mm CONTACT SPACING CONNECTOR (SFV__R-4STE1)
JSA92606	RECOMMENDED CABLE (FPC) (SFV__R-3/4ST_)
BJM-SFV102	HANDLING PROCEDURES

mat'l. code				surface ISO 1302 <input checked="" type="checkbox"/> ISO 406 ISO 1101		tolerance ISO 406 ISO 1101		projection 		product family 58EF			
ltr	ecn no	dr	date	tolerances unless otherwise specified						title 0.5mm SPACING FPC CONNECTOR DOCUMENT LIST (Cat. No. : SFV__R-3/4STE1)			
A	J03-0196	H.T	'03/5/1	angles		linear				scale X		dwg no JSA 95809	
B	J06-0372	H.T	'06/9/7	dr		engr		chr		appd		sheet 1of 1 A4	
				4/9/06		4/9/06		9/8/06		9/8/06		type Product Customer Drawing	
sheet index		revision sheet		B 1								Rev. B	

CAT. NO. & DIMENSIONS

NO. OF CONTACTS (n)	CAT. NO.	DIMENSIONS (NOTE2)			
		A ± 0.2	B ± 0.2	C ± 0.1	D ± 0.1
4	SFV 4R-3/4ST__	7.5	5.9	1.5	1.6
5	SFV 5R-3/4ST__	8.0	6.4	2.0	2.1
6	SFV 6R-3/4ST__	8.5	6.9	2.5	2.6
7	SFV 7R-3/4ST__	9.0	7.4	3.0	3.1
8	SFV 8R-3/4ST__	9.5	7.9	3.5	3.6
9	SFV 9R-3/4ST__	10.0	8.4	4.0	4.1
10	SFV10R-3/4ST__	10.5	8.9	4.5	4.6
11	SFV11R-3/4ST__	11.0	9.4	5.0	5.1
12	SFV12R-3/4ST__	11.5	9.9	5.5	5.6
13	SFV13R-3/4ST__	12.0	10.4	6.0	6.1
14	SFV14R-3/4ST__	12.5	10.9	6.5	6.6
15	SFV15R-3/4ST__	13.0	11.4	7.0	7.1
16	SFV16R-3/4ST__	13.5	11.9	7.5	7.6
17	SFV17R-3/4ST__	14.0	12.4	8.0	8.1
18	SFV18R-3/4ST__	14.5	12.9	8.5	8.6
19	SFV19R-3/4ST__	15.0	13.4	9.0	9.1
20	SFV20R-3/4ST__	15.5	13.9	9.5	9.6
21	SFV21R-3/4ST__	16.0	14.4	10.0	10.1
22	SFV22R-3/4ST__	16.5	14.9	10.5	10.6
23	SFV23R-3/4ST__	17.0	15.4	11.0	11.1
24	SFV24R-3/4ST__	17.5	15.9	11.5	11.6
25	SFV25R-3/4ST__	18.0	16.4	12.0	12.1
26	SFV26R-3/4ST__	18.5	16.9	12.5	12.6
27	SFV27R-3/4ST__	19.0	17.4	13.0	13.1
28	SFV28R-3/4ST__	19.5	17.9	13.5	13.6
29	SFV29R-3/4ST__	20.0	18.4	14.0	14.1
30	SFV30R-3/4ST__	20.5	18.9	14.5	14.6
31	SFV31R-3/4ST__	21.0	19.4	15.0	15.1
32	SFV32R-3/4ST__	21.5	19.9	15.5	15.6
33	SFV33R-3/4ST__	22.0	20.4	16.0	16.1
34	SFV34R-3/4ST__	22.5	20.9	16.5	16.6
35	SFV35R-3/4ST__	23.0	21.4	17.0	17.1



NOTES

1. THIS PRODUCT IS THE CONNECTOR USED FOR FPC AND COPES WITH AUTOMATIC MOUNTING (SMT).
2. SEE PART DRAWINGS FOR DIMENSIONS A~D.
3. THIS PRODUCT IS THE CONNECTOR WITH CABLE LOCK MECHANISM.

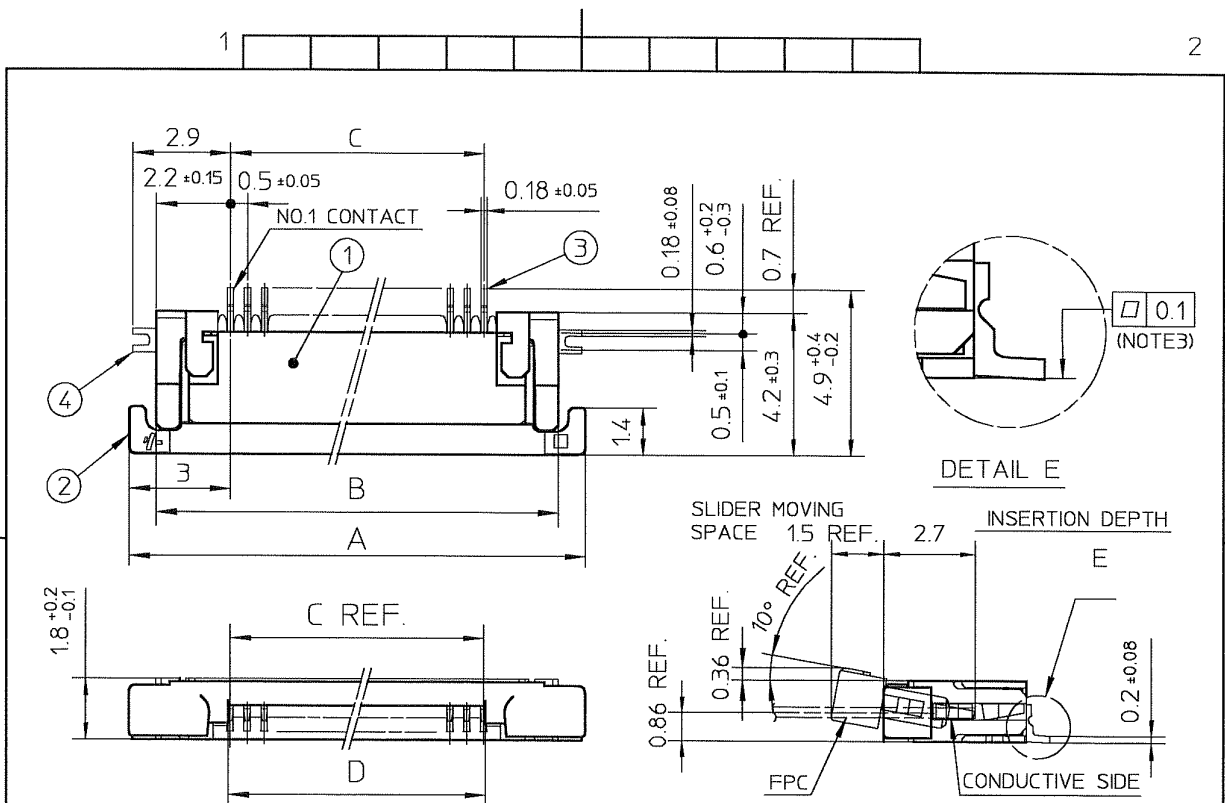


FCIconnect.com

Copyright FCI

mat'l. code				surface ISO 1302 ✓		tolerance ISO 406 ISO 1101		projection		product family 58EF			
ltr				ecn no		dr		date		title			
1				---		M.H		'95/1/18		CAT. NO. TABLE FOR 0.5 mm CONTACT SPACING CONNECTOR (Cat. No. : SFV__R-3/4ST__)			
2				---		M.I		'97/1/1/5		scale X			
3				J00182		M.Y		'00/4/24		dwg no sheet 1 of 1 size			
AA				J03-0196		H.T		'03/5/1		JSA 92600 A4			
AB				J06-0372		H.T		'06/9/7		type Product Customer Drawing			
sheet index				revision sheet		AB		1		Rev. AB			

SC-SFV02 JSA92601, 92602, 92603, 92604, 92605, 92606 form: A4

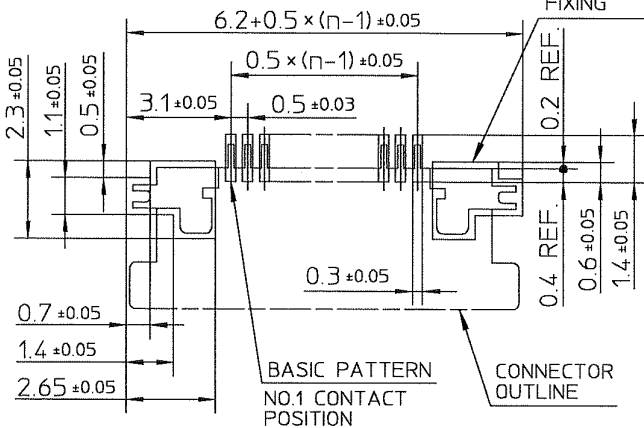


PT. NO.	PARTS NAME	MATERIAL	Q'TY	NOTE
1	HOUSING	POLYAMIDE RESIN GLASS REINFORCED (UL94V-0)	1	COLOR : BLACK
2	SLIDER	PPS RESIN GLASS REINFORCED (UL94V-0)	1	COLOR : BLACK
3	CONTACT	PHOSPHOR BRONZE	n	PLATING : TIN ALLOY
4	MOUNTING PLATE		2	

RECOMMENDED PC BOARD LAYOUT  
(COMPONENT SIDE)

PATTERN FOR MOUNTING PLATE FIXING

n : NO. OF CONTACTS



NOTES

1. THIS PRODUCT IS THE CONNECTOR USED FOR FPC AND COPES WITH AUTOMATIC MOUNTING (SMT).
2. THIS PRODUCT IS LOWER CONTACT TYPE CONNECTOR WITH CABLE LOCK MECHANISM.
3. FLATNESS OF CONTACT TERMINAL AND MOUNTING PLATE MUST BE WITHIN TOLERANCE IN E PORTION DETAILED DRAWING.

mat'l. code				surface ISO 1302 ✓		tolerance ISO 406 ISO 1101		projection		product family 58EF	
lfr	ecn no	dr	date	tolerances unless otherwise specified						title CONNECTOR USED FOR FPC WITH 0.5 mm CONTACT SPACING (Cat. No. : SFV_R-3ST_)	
1		M.H	'94/12/8	angles	linear ±0.2						
2		M.H	'95/11/10							dwg no JSA 92601 sheet 1of1 size A4	
3	J00182	M.Y	'00/4/24								
AA	J03-0196	H.T	'03/5/1	dr	9/7/06					type Product Customer Drawing	
AB	J06-0064	H.T	'06/2/23	engr	9/7/06						
AC	J06-0372	H.T	'06/9/17	chr	9/8/06						
				appd	9/10/06						
sheet index	revision sheet	AC	1							Rev. AC	

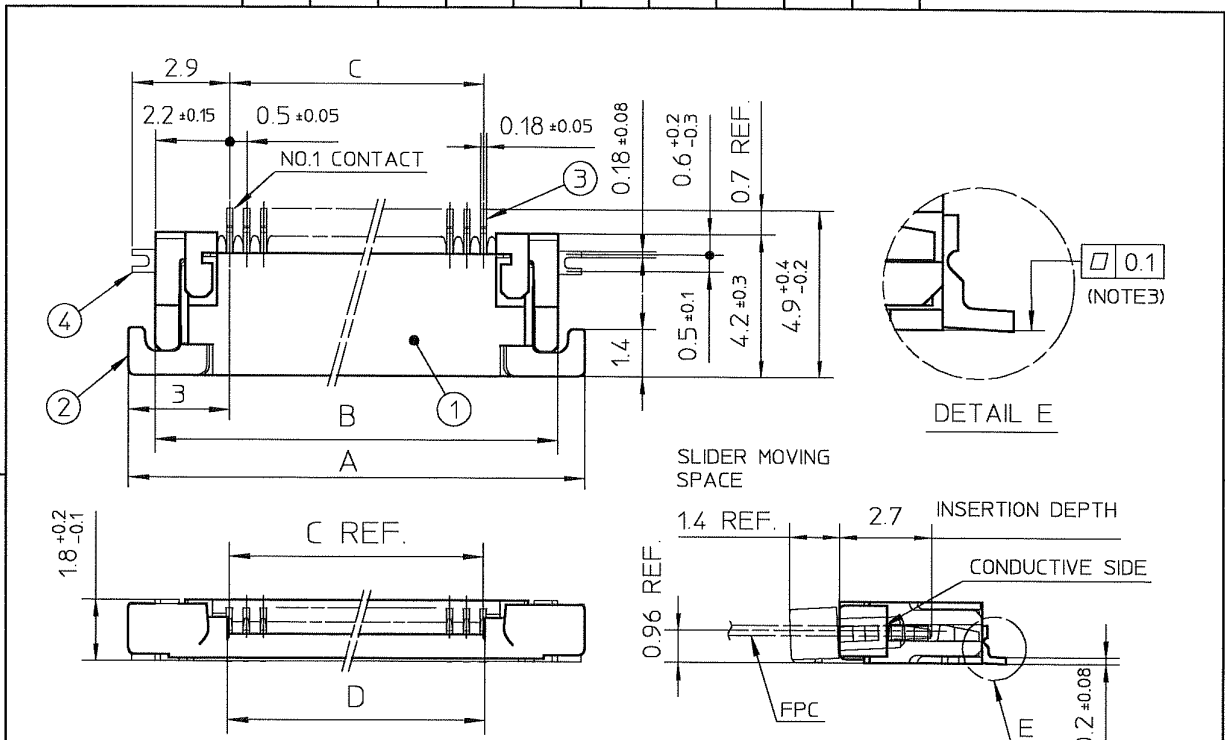
SC-SFV02 JSA92600 Form: A4



FCIconnect.com

Copyright FCI

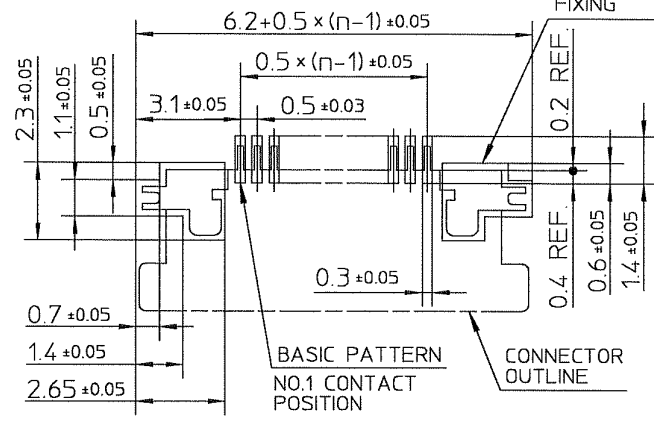




PT. NO.	PARTS NAME	MATERIAL	Q'TY	NOTE
1	HOUSING	POLYAMIDE RESIN GLASS REINFORCED (UL94V-0)	1	COLOR : BLACK
2	SLIDER	PPS RESIN GLASS REINFORCED (UL94V-0)	1	COLOR : BLACK
3	CONTACT	PHOSPHOR BRONZE	n	PLATING : TIN ALLOY
4	MOUNTING PLATE		2	

RECOMMENDED PC BOARD LAYOUT  
(COMPONENT SIDE)

PATTERN FOR MOUNTING PLATE  
FIXING



- NOTES
1. THIS PRODUCT IS THE CONNECTOR USED FOR FPC AND COPES WITH AUTOMATIC MOUNTING (SMT).
  2. THIS PRODUCT IS UPPER CONTACT TYPE CONNECTOR WITH CABLE LOCK MECHANISM.
  3. FLATNESS OF CONTACT TERMINAL AND MOUNTING PLATE MUST BE WITHIN TOLERANCE IN E PORTION DETAILED DRAWING.

mat'l. code		surface ISO 1302 ✓		tolerance ISO 406 ISO 1101		projection		product family 58EF	
ltr	ecn no	dr	date	tolerances unless otherwise specified		title		CONNECTION USED FOR FPC WITH 0.5 mm CONTACT SPACING (Cat. No. : SFV__R-4ST__)	
1		M.H	'94/12/8	angles	linear	scale X		dwg no sheet 1of1 size	
2		M.H	'95/11/10			FCJ		JSA 92602 A4	
3	J00182	M.Y	'00/4/24	dr	9/2/06	type Product Customer Drawing			
AA	J03-0196	H.T	'03/5/1	engr	9/7/06				
AB	J06-0064	H.T	'06/2/23	chr	9/8/06				
AC	J06-0372	H.T	'06/9/17	appd	9/1/06				
sheet index	revision sheet	AC	1					Rev. AC	

SC-SFV02 JSA92600 Form: A4

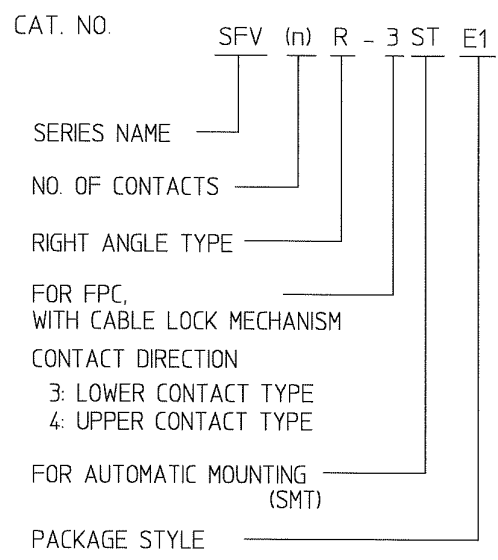


FCJconnect.com

Copyright FCJ

CAT. NO. & DIMENSIONS

NO. OF CONTACTS (n)	CAT. NO.	DIMENSIONS (NOTE3)		
		F ± 5	G ± 0.3	H ± 0.1
4	SFV 4R-3/4STE1	20.4	16	—
5	SFV 5R-3/4STE1	20.4	16	—
6	SFV 6R-3/4STE1	20.4	16	—
7	SFV 7R-3/4STE1	28.4	24	—
8	SFV 8R-3/4STE1	28.4	24	—
9	SFV 9R-3/4STE1	28.4	24	—
10	SFV10R-3/4STE1	28.4	24	—
11	SFV11R-3/4STE1	28.4	24	—
12	SFV12R-3/4STE1	28.4	24	—
13	SFV13R-3/4STE1	28.4	24	—
14	SFV14R-3/4STE1	28.4	24	—
15	SFV15R-3/4STE1	28.4	24	—
16	SFV16R-3/4STE1	28.4	24	—
17	SFV17R-3/4STE1	28.4	24	—
18	SFV18R-3/4STE1	28.4	24	—
19	SFV19R-3/4STE1	28.4	24	—
20	SFV20R-3/4STE1	28.4	24	—
21	SFV21R-3/4STE1	28.4	24	—
22	SFV22R-3/4STE1	28.4	24	—
23	SFV23R-3/4STE1	36.4	32	28.4
24	SFV24R-3/4STE1	36.4	32	28.4
25	SFV25R-3/4STE1	36.4	32	28.4
26	SFV26R-3/4STE1	36.4	32	28.4
27	SFV27R-3/4STE1	36.4	32	28.4
28	SFV28R-3/4STE1	36.4	32	28.4
29	SFV29R-3/4STE1	36.4	32	28.4
30	SFV30R-3/4STE1	36.4	32	28.4
31	SFV31R-3/4STE1	48.4	44	40.4
32	SFV32R-3/4STE1	48.4	44	40.4
33	SFV33R-3/4STE1	48.4	44	40.4
34	SFV34R-3/4STE1	48.4	44	40.4
35	SFV35R-3/4STE1	48.4	44	40.4



- NOTES
1. THIS PRODUCT IS THE CONNECTOR USED FOR FPC AND COPES WITH AUTOMATIC MOUNTING (SMT).
  2. THIS CATALOG NO. INDICATES PLASTIC TAPE PACKAGED
  3. SEE PART DRAWINGS FOR DIMENSIONS F~H.
  4. THIS PRODUCT IS THE CONNECTOR WITH CABLE LOCK MECHANISM.

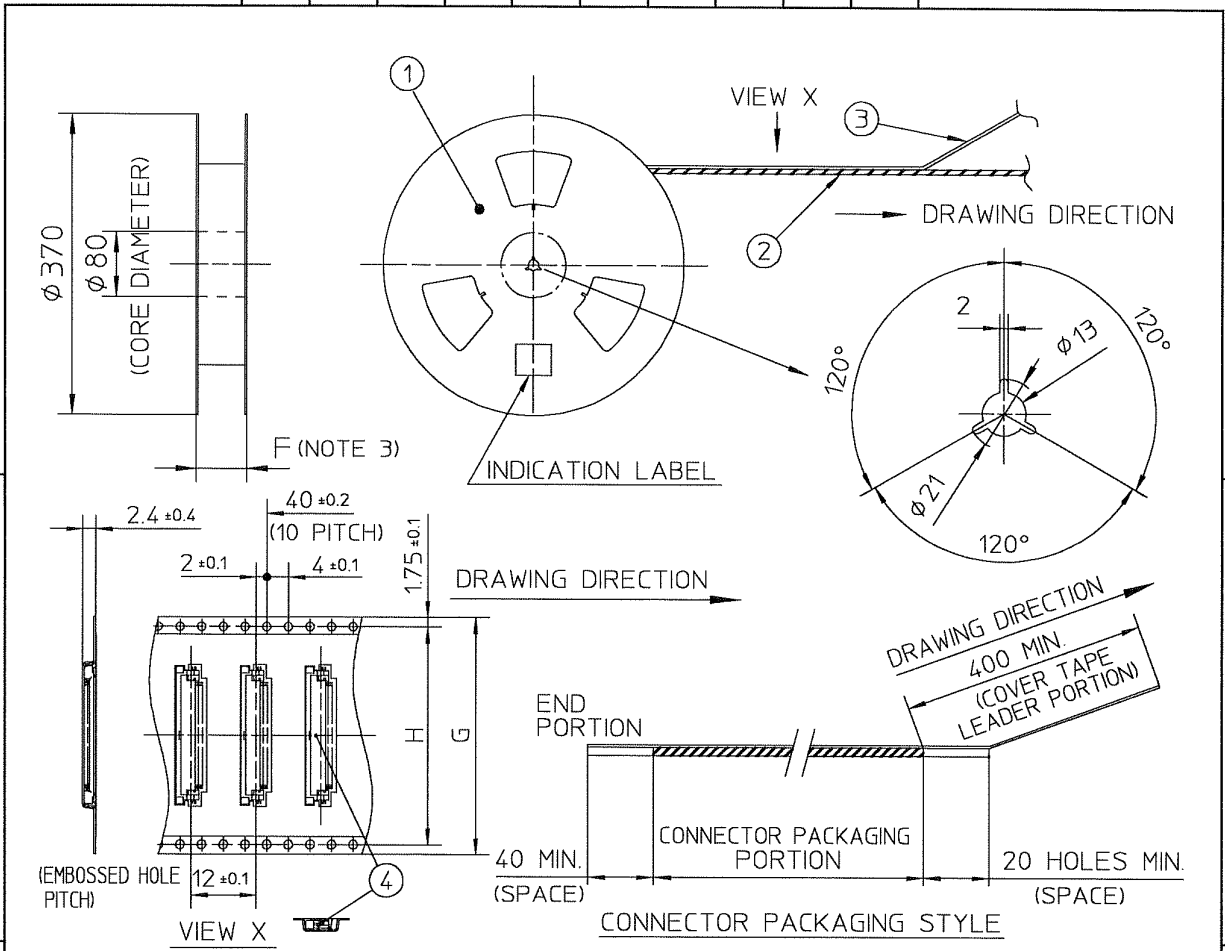


FCIconnect.com

Copyright FCI

mat'l. code				surface ISO 1302 ✓		tolerance ISO 406 ISO 1101		projection		product family 58EF			
ltr ecn no dr date				tolerances unless otherwise specified		angles linear		scale X		title			
1 — M.H '95/1/18										CAT. NO. TABLE FOR PLASTIC TAPE PACKAGED			
2 — M.I '97/1/15										0.5 mm CONTACT SPACING CONNECTOR			
3 J00182 M.Y '00/4/24										(Cat. No. : SFV__R-3/4STE1)			
AA J03-0196 H.T '03/5/1				dr		engr		FCI		dwg no sheet 1 of 1 size		A4	
AB J06-0372 H.T '06/9/7				chr		appd				JSA 92603			
										type Product Customer Drawing			
sheet index		revision sheet		AB 1								Rev. AB	

SC-SFV02 JSA92600 form: A4



PT. NO.	PARTS NAME	CAT. NO.	MATERIAL	Q'TY	NOTE
1	REEL	—	CARDBOARD	1	COLOR : WHITE
2	PLASTIC (EMBOSS) TAPE	—	A-PET	—	COLOR : TRANSPARENCY
3	COVER	—	POLYESTER	—	COLOR : TRANSPARENCY
4	CONNECTOR	SFV__R-3ST__	SEE ATTACHED DWG.	3000	LOWER CONTACT TYPE WITH CABLE LOCK MECHANISM

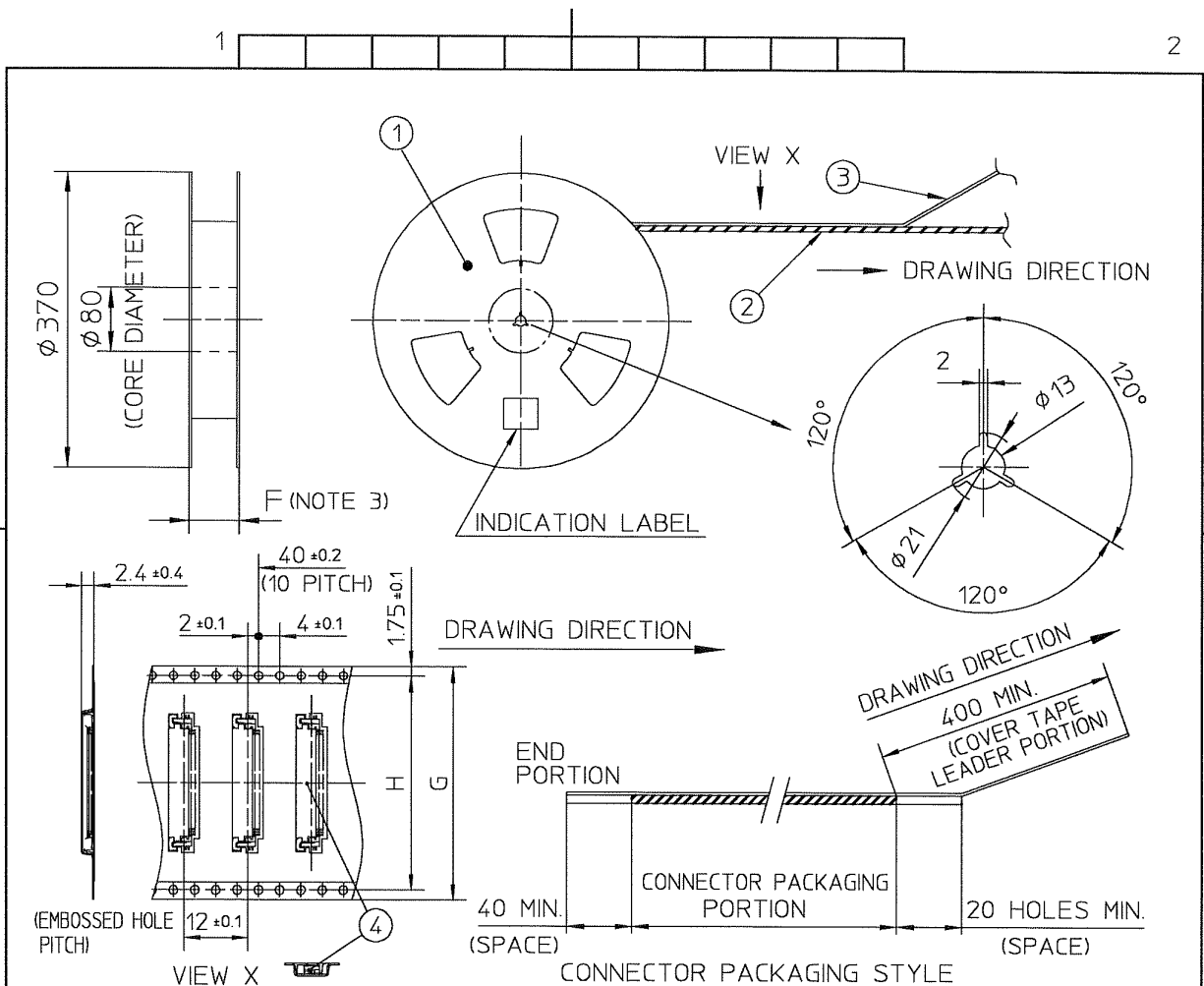
- NOTES
- THIS IS PLASTIC TAPE PACKAGED CONNECTOR USED FOR FPC AND COPES WITH AUTOMATIC MOUNTING (SMT).
  - SEE JIS C 0806 (PACKING OF ELECTRONIC COMPONENTS ON CONTINUOUS TAPES (SURFACE MOUNTING DEVICES)) FOR SHAPE AND DIMENSIONS OF PLASTIC (EMBOSS) TAPE AND REEL.
  - F DIMENSION IS PORTION OF THE CORE.

mat'l. code		surface ISO 1302 ✓		tolerance ISO 406 ISO 1101		projection		product family 58EF	
ltr	ecn no	dr	date	tolerances unless otherwise specified		title		PLASTIC TAPE PACKAGED 0.5 mm CONTACT SPACING CONNECTOR (Cat. No. : SFV__R-3STE1)	
1	—	M.K	'96/7/3	angles	linear ±5	scale X		dwg no sheet 1 of 1 size	
AA	J03-0196	H.T	'03/5/1	±5°		FCJ		JSA 92604 A4	
AB	J06-0372	H.T	'06/9/7					type Product Customer Drawing	
sheet index	revision sheet	AB	1					Rev. AB	



FCIconnect.com

Copyright FCI



PT. NO.	PARTS NAME	CAT. NO.	MATERIAL	Q'TY	NOTE
1	REEL	—	CARDBOARD	1	COLOR : WHITE
2	PLASTIC (EMBOSS) TAPE	—	A-PET	—	COLOR : TRANSPARENCY
3	COVER	—	POLYESTER	—	COLOR : TRANSPARENCY
4	CONNECTOR	SFV__R-4ST__	SEE ATTACHED DWG.	3000	UPPER CONTACT TYPE WITH CABLE LOCK MECHANISM

NOTES

1. THIS IS PLASTIC TAPE PACKAGED CONNECTOR USED FOR FPC AND COPES WITH AUTOMATIC MOUNTING (SMT).
2. SEE JIS C 0806 (PACKING OF ELECTRONIC COMPONENTS ON CONTINUOUS TAPES (SURFACE MOUNTING DEVICES)) FOR SHAPE AND DIMENSIONS OF PLASTIC (EMBOSS) TAPE AND REEL.
3. F DIMENSION IS PORTION OF THE CORE.

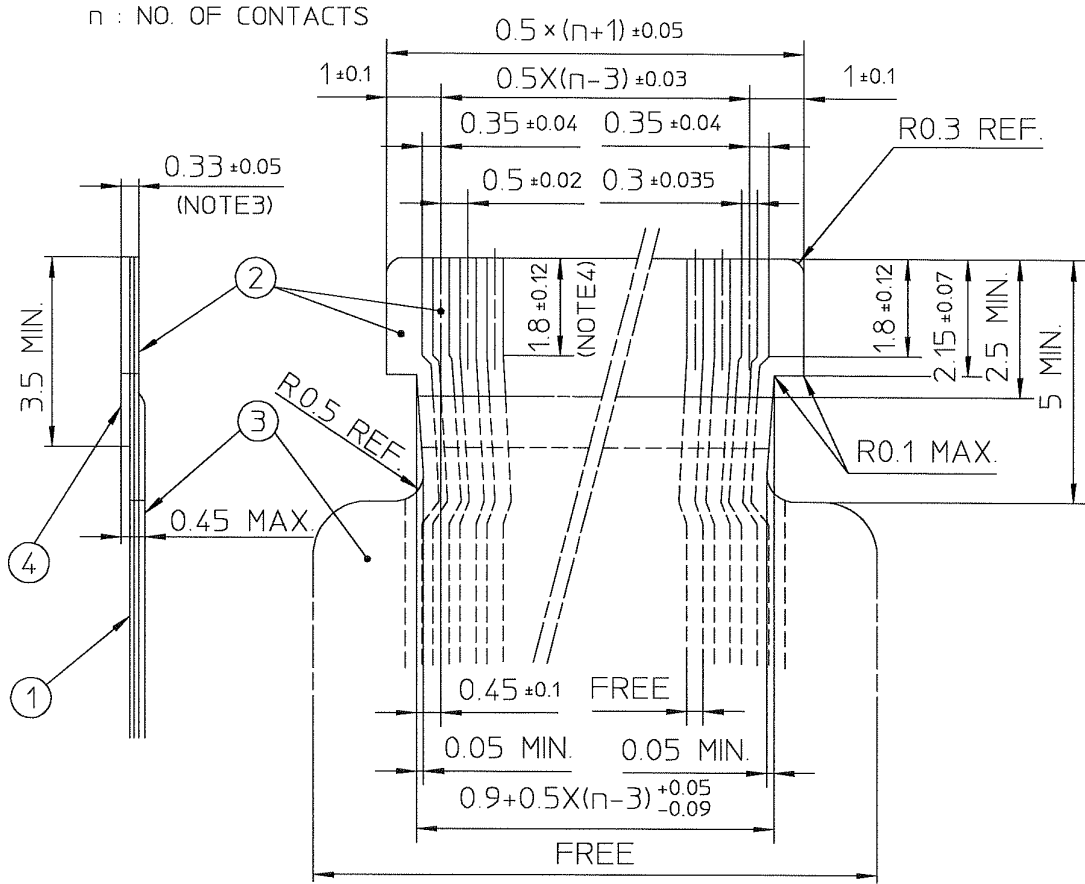
mat'l. code		surface ISO 1302 ✓		tolerance ISO 406 ISO 1101		projection		product family 58EF	
ltr	ecn no	dr	date	tolerances unless otherwise specified		title		PLASTIC TAPE PACKAGED	
1	—	M.K	'96/7/3	angles	linear	0.5 mm CONTACT SPACING CONNECTOR		(Cat. No. : SFV__R-4STE1)	
AA	J03-0196	H.T	'03/5/1	±5°		scale X		dwg no JSA 92605	
AB	J06-0372	H.T	'06/9/7	±5°		FCJ		sheet 1 of 1 size A4	
sheet index		revision sheet	AB 1	dr	engr	chr	appd	type Product Customer Drawing	
SC-SFV02 form: A4		JSA92600						Rev. AB	



FCJconnect.com

Copyright FCJ

RECOMMENDED CABLE (FPC)



PT. NO.	PARTS NAME	MATERIAL	THICKNESS (μm)
1	BASE FILM	POLYIMIDE OR POLYESTER OR EQUAL	25
2	CONDUCTOR	COPPER FOIL (PLATING : SOLDER 1μm MIN.)	35
3	OVERLAY	POLYIMIDE OR POLYESTER OR EQUAL	—
4	SUPPORTING TAPE	POLYESTER OR POLYIMIDE OR EQUAL	188

NOTES

1. NO BURR AT EACH PORTION.
2. NO PEELING IN COMMON USE.
3. TOTAL THICKNESS LIMIT OF EACH MATERIAL (INCLUDING ADHESIVE AGENT) IS SPECIFIED.
4. THIS DIMENSION INDICATES THE RANGE FOR 0.3 ± 0.035 CONDUCTOR WIDTH.

mat'l. code				surface ISO 1302 ✓		tolerance ISO 406 ISO 1101		projection		product family 58EF	
ltr	ecn no	dr	date	tolerances unless otherwise specified				 scale X		title RECOMMENDED CABLE (Cat. No. : SFV__R-3/4ST__)	
AA	J03-0196	H.T	'03/5/1	angles	linear						
AB	J06-0372	H.T	'06/9/7	dr	<i>K. Shouji</i> 9/7/06 <i>R. Shouji</i> 9/8/06 <i>S. Ueda</i> 9/1/06		type Product Customer Drawing				
sheet index	revision sheet	AB	1							Rev. AB	

SC-SFV02 JSA92600 form: A4



FCIconnect.com

Copyright FCI