



RAIL TO RAIL HIGH OUTPUT CURRENT DUAL OPERATIONAL AMPLIFIER

- RAIL TO RAIL INPUT AND OUTPUT
- LOW NOISE : **9nV/√(Hz)**
- LOW DISTORTION
- HIGH OUTPUT CURRENT : **80mA**
(able to drive 32Ω loads)
- HIGH SPEED : **4MHz, 1V/μs**
- OPERATING FROM **2.7V to 12V**
- LOW INPUT OFFSET VOLTAGE : **900μVmax**
(TS922A)
- ESD INTERNAL PROTECTION : 2KV
- LATCH-UP IMMUNITY
- MACROMODEL INCLUDED IN THIS SPECIFICATION

DESCRIPTION

The TS922 is a RAIL TO RAIL dual BiCMOS operational amplifier optimized and fully specified for 3V and 5V operation.

High output current allows low load impedances to be driven.

The TS922 exhibits a very low noise, low distortion, low offset and high output current capability making this device an excellent choice for high quality, low voltage or battery operated audio systems.

The device is stable for capacitive loads up to 500pF.

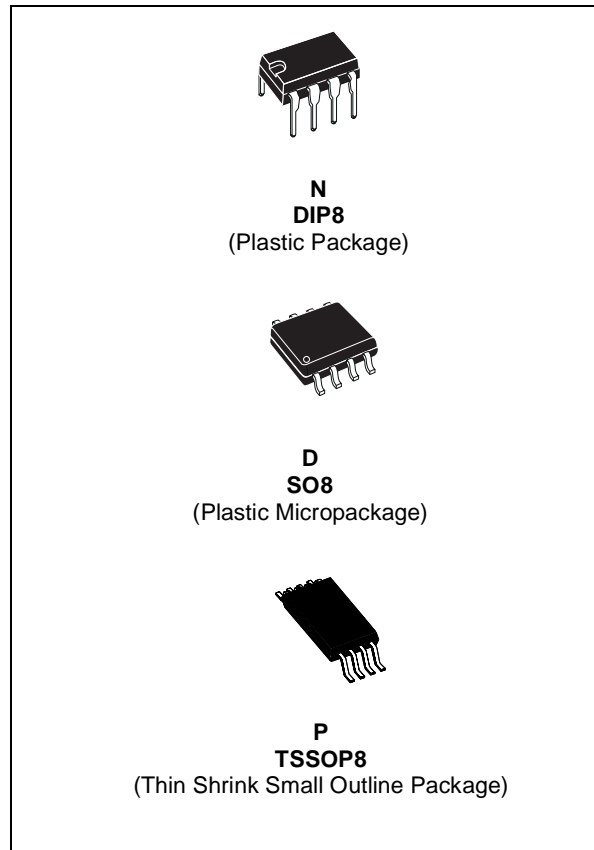
APPLICATIONS

- headphone amplifier
- piezoelectric speaker driver
- sound cards, multimedia systems
- line driver, actuator driver
- servo amplifier
- mobile phone and portable equipment
- instrumentation with low noise as key factor

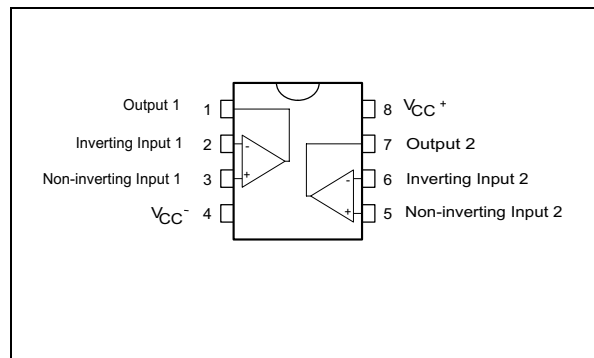
ORDER CODE

| Part Number | Temperature Range | Package | | |
|-------------|-------------------|---------|---|---|
| | | N | D | P |
| TS922I | -40°C, +125°C | • | • | • |

N = Dual in Line Package (DIP)
D = Small Outline Package (SO) - also available in Tape & Reel (DT)
P = Thin Shrink Small Outline Package (TSSOP) - only available in Tape & Reel (PT)



PIN CONNECTIONS (top view)



ABSOLUTE MAXIMUM RATINGS

| Symbol | Parameter | Value | Unit |
|------------|--|------------------------|------|
| V_{CC} | Supply voltage ¹⁾ | 14 | V |
| V_{id} | Differential Input Voltage ²⁾ | ± 1 | V |
| V_i | Input Voltage ³⁾ | -0.3 to 14 | V |
| T_{oper} | Operating Free Air Temperature Range | -40 to +125 | °C |
| I_{stg} | Storage Temperature | -65 to +150 | °C |
| T_j | Maximum Junction Temperature | 150 | °C |
| | Output Short Circuit Duration | see note ⁴⁾ | °C |

1. All voltages values, except differential voltage are with respect to network ground terminal.
2. Differential voltages are the non-inverting input terminal with respect to the inverting input terminal.
3. The magnitude of input and output voltages must never exceed $V_{CC}^+ + 0.3V$.
4. Short-circuits can cause excessive heating. Destructive dissipation can result from simultaneous short-circuit on all amplifiers

OPERATING CONDITIONS

| Symbol | Parameter | Value | Unit |
|-----------|---------------------------------|--------------------------------------|------|
| V_{CC} | Supply voltage | 2.7 to 12 | V |
| V_{icm} | Common Mode Input Voltage Range | $V_{CC}^- - 0.2$ to $V_{CC}^+ + 0.2$ | V |

ELECTRICAL CHARACTERISTICS $V_{CC^+} = 3V$, $T_{amb} = 25^{\circ}C$ (unless otherwise specified)

| Symbol | Parameter | Min. | Typ. | Max. | Unit |
|-----------|--|--------------|-----------------|----------------------|------------------------|
| V_{io} | Input Offset Voltage $T_{min.} \leq T_{amb} \leq T_{max.}$ | | | 3 0.9 5 1.8 | mV |
| DV_{io} | Input Offset Voltage Drift | | 2 | | $\mu V/^{\circ}C$ |
| I_{io} | Input Offset Current $V_{out} = 1.5V$ | | 1 | 30 | nA |
| I_{ib} | Input Bias Current $V_{out} = 1.5V$ | | 15 | 100 | nA |
| V_{OH} | High Level Output Voltage $R_L = 10k$ $R_L = 600\Omega$ $R_L = 32\Omega$ | 2.90 2.87 | 2.63 | | V |
| V_{OL} | Low Level Output Voltage $R_L = 10k$ $R_L = 600\Omega$ $R_L = 32\Omega$ | | 180 | 50 100 | mV |
| A_{vd} | Large Signal Voltage Gain ($V_{out} = 2V_{pk-pk}$) $R_L = 10k$ $R_L = 600\Omega$ $R_L = 32\Omega$ | | 200 35 16 | | V/mV |
| I_{cc} | Total Supply Current no load, $V_{out} = V_{CC}/2$ | | 2 | 3 | mA |
| GBP | Gain Bandwidth Product ($R_L = 600\Omega$) | | 4 | | MHz |
| CMR | Common Mode Rejection Ratio | 60 | 80 | | dB |
| SVR | Supply Voltage Rejection Ratio $V_{CC} = 2.7$ to $3.3V$ | 60 | 85 | | dB |
| I_o | Output Short Circuit Current | 50 | 80 | | mA |
| SR | Slew Rate | 0.7 | 1.3 | | V/ μs |
| ϕ_m | Phase Margin at Unit Gain $R_L = 600\Omega$, $C_L = 100pF$ | | 68 | | Degrees |
| G_m | Gain Margin $R_L = 600\Omega$, $C_L = 100pF$ | | 12 | | dB |
| e_n | Equivalent Input Noise Voltage $f = 1kHz$ | | 9 | | $\frac{nV}{\sqrt{Hz}}$ |
| THD | Total Harmonic Distortion $V_{out} = 2V_{pk-pk}$, $F = 1kHz$, $A_v = 1$, $R_L = 600\Omega$ | | 0.005 | | % |
| C_s | Channel Separation | | 120 | | dB |

ELECTRICAL CHARACTERISTICS

$V_{CC^+} = 5V$, $T_{amb} = 25^{\circ}C$ (unless otherwise specified)

| Symbol | Parameter | Min. | Typ. | Max. | Unit |
|-----------|--|-------------------|-------|------|------------------------|
| V_{io} | Input Offset Voltage | | | 3 | mV |
| | $T_{min.} \leq T_{amb} \leq T_{max.}$ | | | 0.9 | |
| | | | | 5 | |
| | | | | 1.8 | |
| DV_{io} | Input Offset Voltage Drift | | 2 | | $\mu V/^{\circ}C$ |
| I_{io} | Input Offset Current $V_{out} = 1.5V$ | | 1 | 30 | nA |
| I_{ib} | Input Bias Current $V_{out} = 1.5V$ | | 15 | 100 | nA |
| V_{OH} | High Level Output Voltage | $R_L = 10k$ | 4.90 | 4.4 | V |
| | | $R_L = 600\Omega$ | 4.85 | | |
| | | $R_L = 32\Omega$ | | | |
| V_{OL} | Low Level Output Voltage | $R_L = 10k$ | | 50 | mV |
| | | $R_L = 600\Omega$ | | 120 | |
| | | $R_L = 32\Omega$ | 300 | | |
| A_{vd} | Large Signal Voltage Gain ($V_{out} = 2V_{pk-pk}$) | $R_L = 10k$ | 200 | | V/mV |
| | | $R_L = 600\Omega$ | 35 | | |
| | | $R_L = 32\Omega$ | 16 | | |
| I_{cc} | Total Supply Current no load, $V_{out} = V_{CC}/2$ | | 2 | 3 | mA |
| GBP | Gain Bandwidth Product ($R_L = 600\Omega$) | | 4 | | MHz |
| CMR | Common Mode Rejection Ratio | 60 | 80 | | dB |
| SVR | Supply Voltage Rejection Ratio $V_{CC} = 4.5$ to $5.5V$ | 60 | 85 | | dB |
| I_o | Output Short Circuit Current | 50 | 80 | | mA |
| SR | Slew Rate | 0.7 | 1.3 | | V/ μs |
| ϕ_m | Phase Margin at Unit Gain $R_L = 600\Omega$, $C_L = 100pF$ | | 68 | | Degrees |
| G_m | Gain Margin $R_L = 600\Omega$, $C_L = 100pF$ | | 12 | | dB |
| e_n | Equivalent Input Noise Voltage $f = 1kHz$ | | 9 | | $\frac{nV}{\sqrt{Hz}}$ |
| THD | Total Harmonic Distortion $V_{out} = 2V_{pk-pk}$, $F = 1kHz$, $A_v = 1$, $R_L = 600\Omega$ | | 0.005 | | % |
| C_s | Channel Separation | | 120 | | dB |

MACROMODELS

** Standard Linear lcs Macromodels, 1996.
 ** CONNECTIONS :
 * 1 INVERTING INPUT
 * 2 NON-INVERTING INPUT
 * 3 OUTPUT
 * 4 POSITIVE POWER SUPPLY
 * 5 NEGATIVE POWER SUPPLY

```
.SUBCKT TS922 1 3 2 4 5 (analog)
*****
.MODEL MDTH D IS=1E-8 KF=2.664234E-16 CJO=10F
* INPUT STAGE
CIP 2 5 1.000000E-12
CIN 1 5 1.000000E-12
EIP 10 5 2 5 1
EIN 16 5 1 5 1
RIP 10 11 8.125000E+00
RIN 15 16 8.125000E+00
RIS 11 15 2.238465E+02
DIP 11 12 MDTH 400E-12
DIN 15 14 MDTH 400E-12
VOFP 12 13 DC 153.5u
VOFN 13 14 DC 0
IPOL 13 5 3.200000E-05
CPS 11 15 1e-9
DINN 17 13 MDTH 400E-12
VIN 17 5 -0.100000e+00
DINR 15 18 MDTH 400E-12
VIP 4 18 0.400000E+00
FCP 4 5 VOFP 1.865000E+02
FCN 5 4 VOFN 1.865000E+02
FIBP 2 5 VOFP 6.250000E-03
FIBN 5 1 VOFN 6.250000E-03
* GM1 STAGE *****
FGM1P 119 5 VOFP 1.1
FGM1N 119 5 VOFN 1.1
RAP 119 4 2.6E+06
RAN 119 5 2.6E+06
* GM2 STAGE *****
G2P 19 5 119 5 1.92E-02
```

```
G2N 19 5 119 4 1.92E-02
R2P 19 4 1E+07
R2N 19 5 1E+07
*****
VINT1 500 0 5
GCONVP 500 501 119 4 19.38 lenvoie ds VP,
I(VP)=(V119-V4)/2/Ut VP 501 0 0
GCONVN 500 502 119 5 19.38 lenvoie ds VN,
I(VN)=(V119-V5)/2/Ut VN 502 0 0
***** orientation isink isource *****
VINT2 503 0 5
FCOPY 503 504 VOUT 1
DCOPYP 504 505 MDTH 400E-9
VCOPYP 505 0 0
DCOPYN 506 504 MDTH 400E-9
VCOPYN 0 506 0
*****
F2PP 19 5 poly(2) VCOPYP VP 0 0 0 0 0.5 !multiplie
I(vout)*I(VP)=Iout*(V119-V4)/2/Ut
F2PN 19 5 poly(2) VCOPYP VN 0 0 0 0 0.5 !multiplie
I(vout)*I(VN)=Iout*(V119-V5)/2/Ut
F2NP 19 5 poly(2) VCOPYN VP 0 0 0 0 1.75 !multiplie
I(vout)*I(VP)=Iout*(V119-V4)/2/Ut
F2NN 19 5 poly(2) VCOPYN VN 0 0 0 0 1.75 !multiplie
I(vout)*I(VN)=Iout*(V119-V5)/2/Ut
* COMPENSATION *****
CC 19 119 25p
* OUTPUT*****
DOPM 19 22 MDTH 400E-12
DONM 21 19 MDTH 400E-12
HOPM 22 28 VOUT 6.250000E+02
VIPM 28 4 5.000000E+01
HONM 21 27 VOUT 6.250000E+02
VINM 5 27 5.000000E+01
VOUT 3 23 0
ROUT 23 19 6
COUT 3 5 1.300000E-10
DOP 19 25 MDTH 400E-12
VOP 4 25 1.052
DON 24 19 MDTH 400E-12
VON 24 5 1.052
.ENDS
```

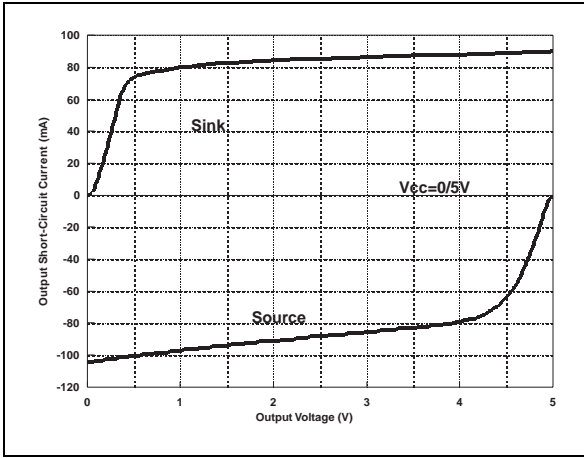
ELECTRICAL CHARACTERISTICS

V_{CC}⁺ = 3V, V_{CC}⁻ = 0V, R_L, C_L connected to V_{CC/2}, T_{amb} = 25°C (unless otherwise specified)

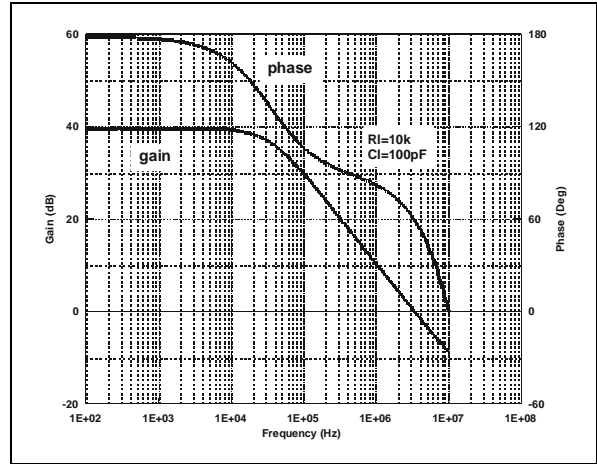
| Symbol | Conditions | Value | Unit |
|---------------------|---|-------------|---------|
| V _{io} | | 0 | mV |
| A _{vd} | R _L = 10kΩ | 200 | V/mV |
| I _{CC} | No load, per operator | 1.2 | mA |
| V _{icm} | | -0.2 to 3.2 | V |
| V _{OH} | R _L = 10kΩ | 2.95 | V |
| V _{OL} | R _L = 10kΩ | 25 | mV |
| I _{sink} | V _O = 3V | 80 | mA |
| I _{source} | V _O = 0V | 80 | mA |
| GBP | R _L = 600kΩ | 4 | MHz |
| SR | R _L = 10kΩ, C _L = 100pF | 1.3 | V/μs |
| φ _m | R _L = 600kΩ | 68 | Degrees |



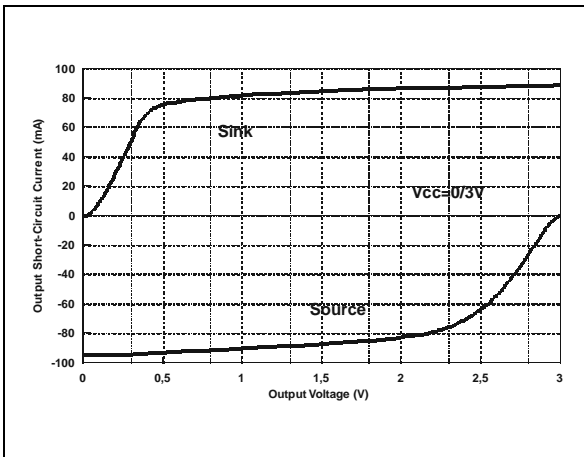
OUTPUT SHORT CIRCUIT CURRENT vs OUTPUT VOLTAGE



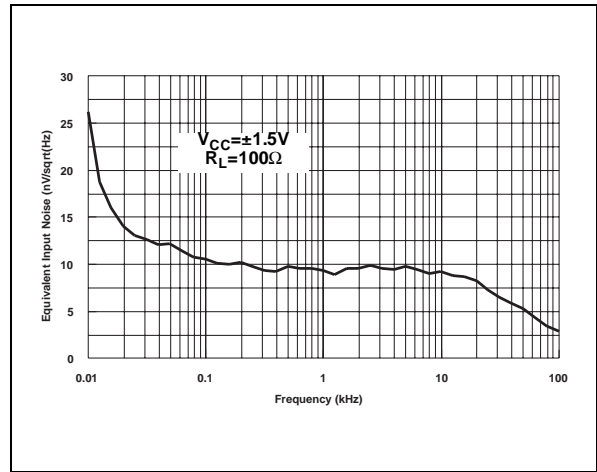
VOLTAGE GAIN AND PHASE vs FREQUENCY



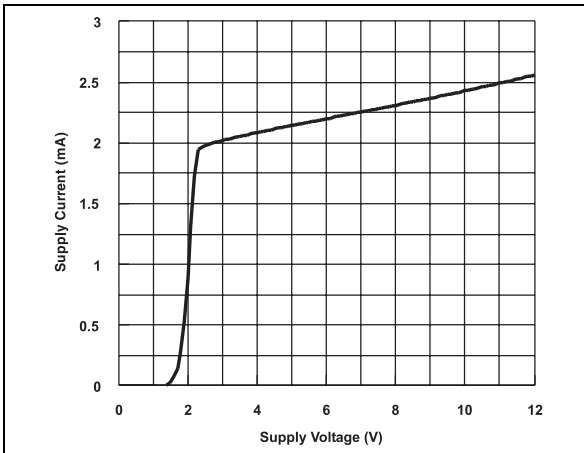
OUTPUT SHORT CIRCUIT CURRENT vs OUTPUT VOLTAGE



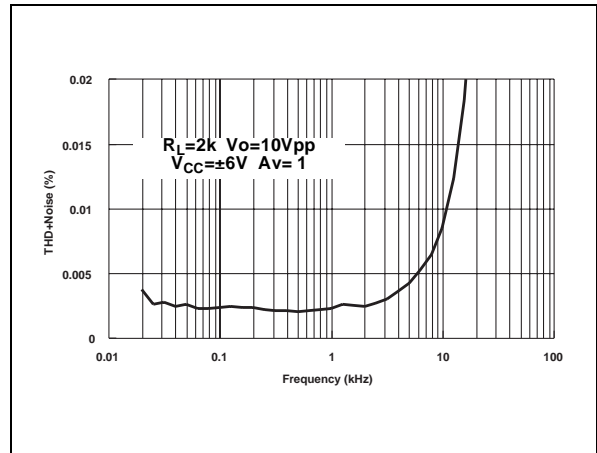
EQUIVALENT INPUT NOISE VOLTAGE vs FREQUENCY



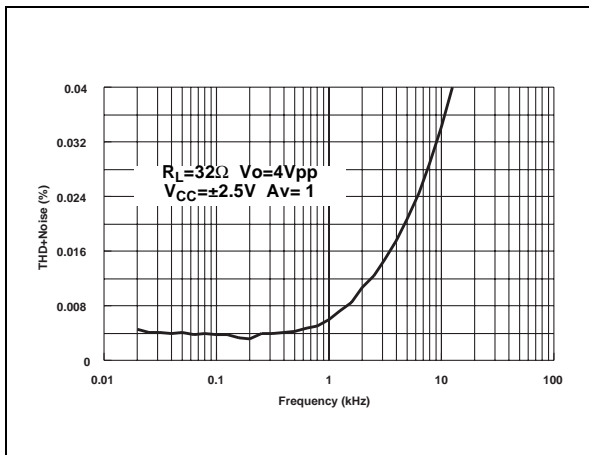
TOTAL SUPPLY CURRENT vs SUPPLY VOLTAGE



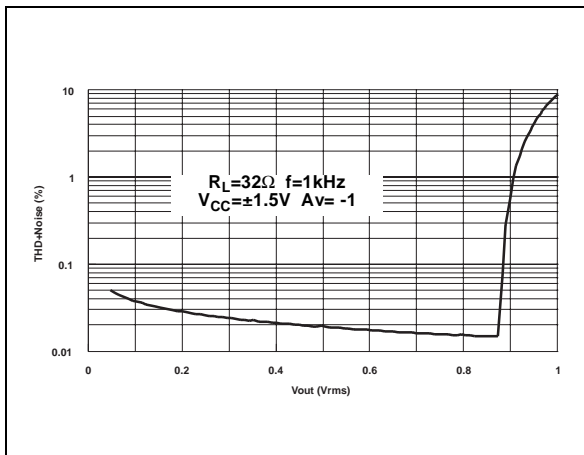
THD + NOISE vs FREQUENCY



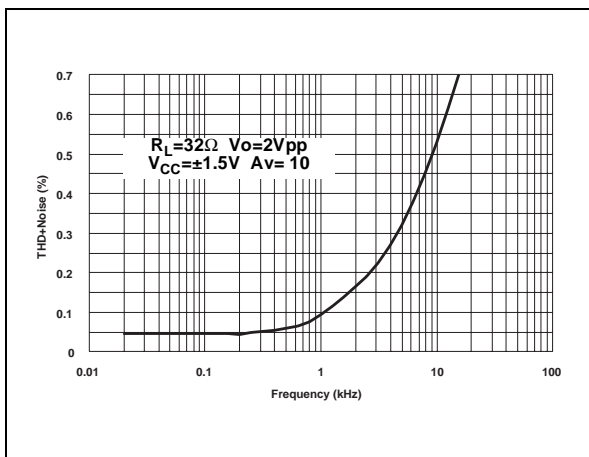
THD + NOISE vs FREQUENCY



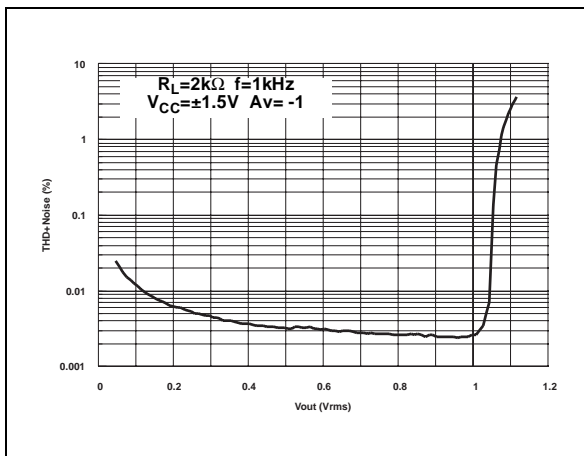
THD + NOISE vs OUTPUT VOLTAGE



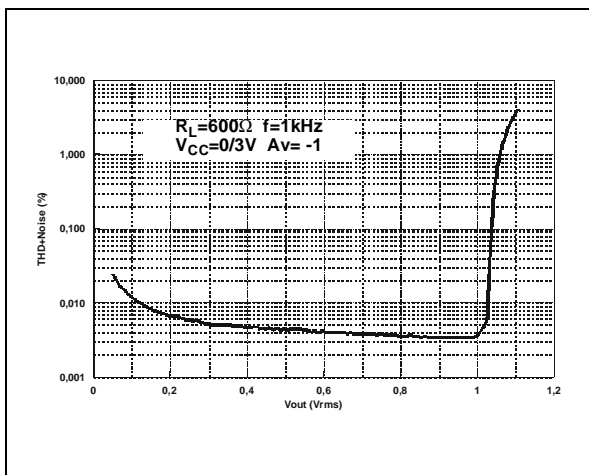
THD + NOISE vs FREQUENCY



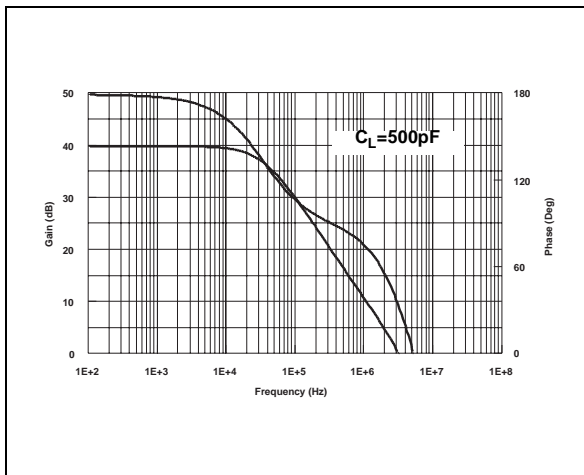
THD + NOISE vs OUTPUT VOLTAGE



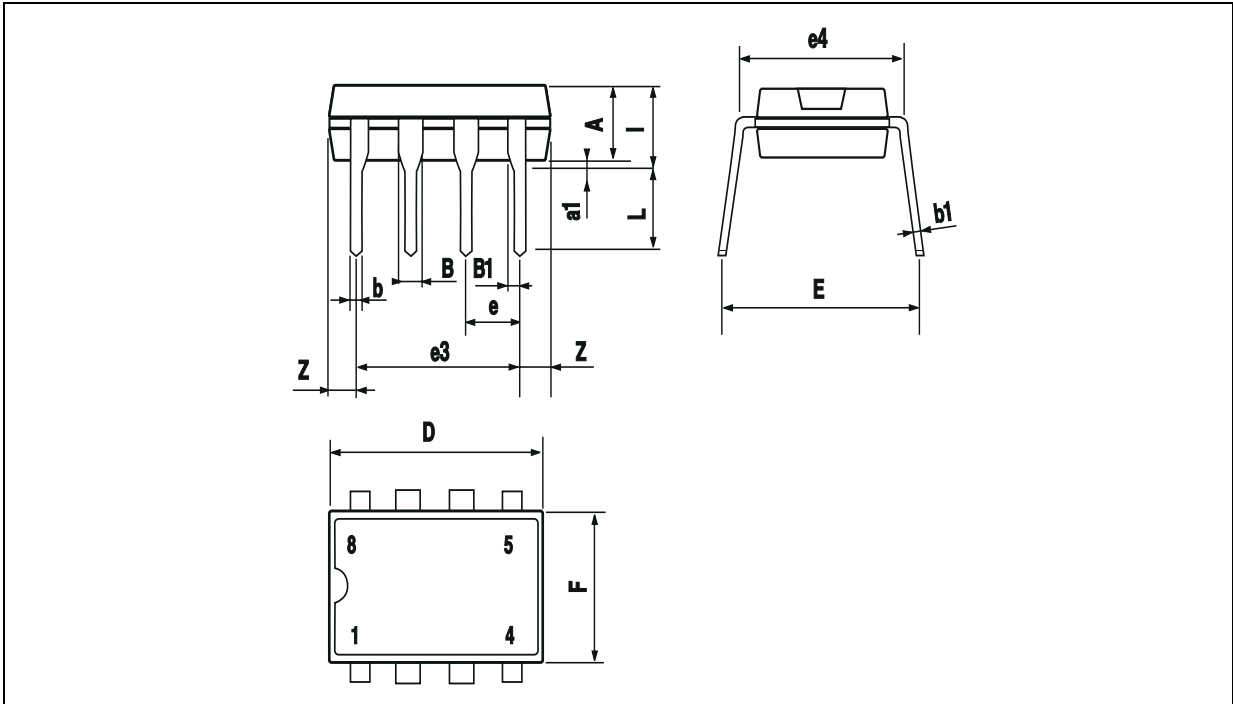
THD + NOISE vs OUTPUT VOLTAGE



OPEN LOOP GAIN AND PHASE vs FREQUENCY

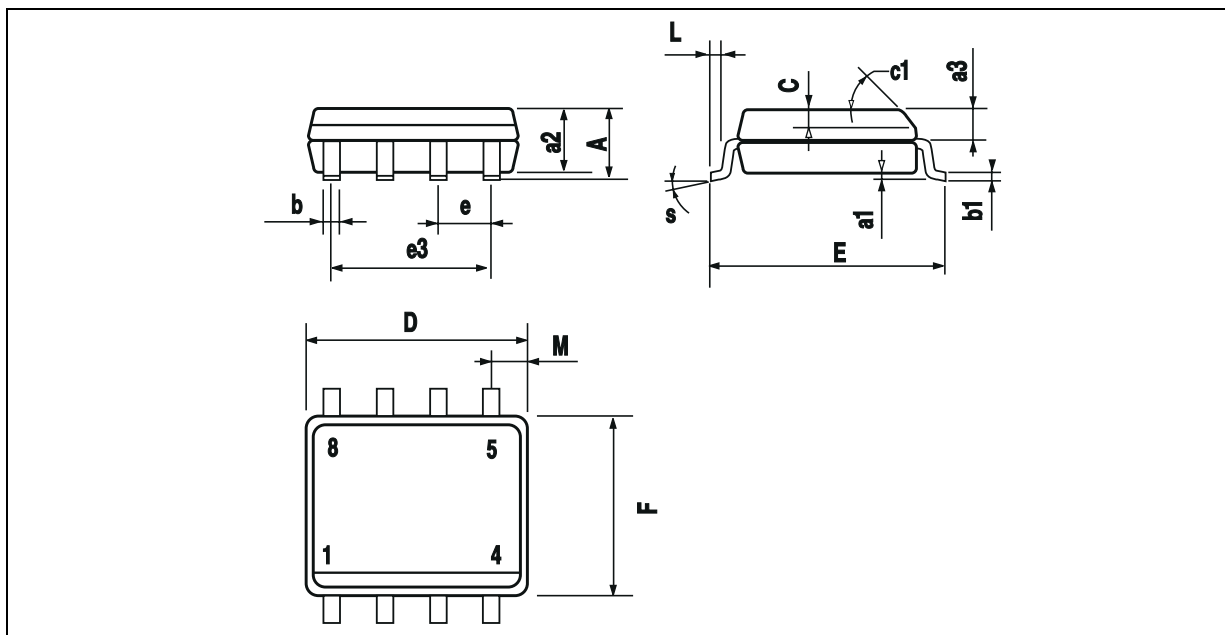


PACKAGE MECHANICAL DATA
8 PINS - PLASTIC DIP



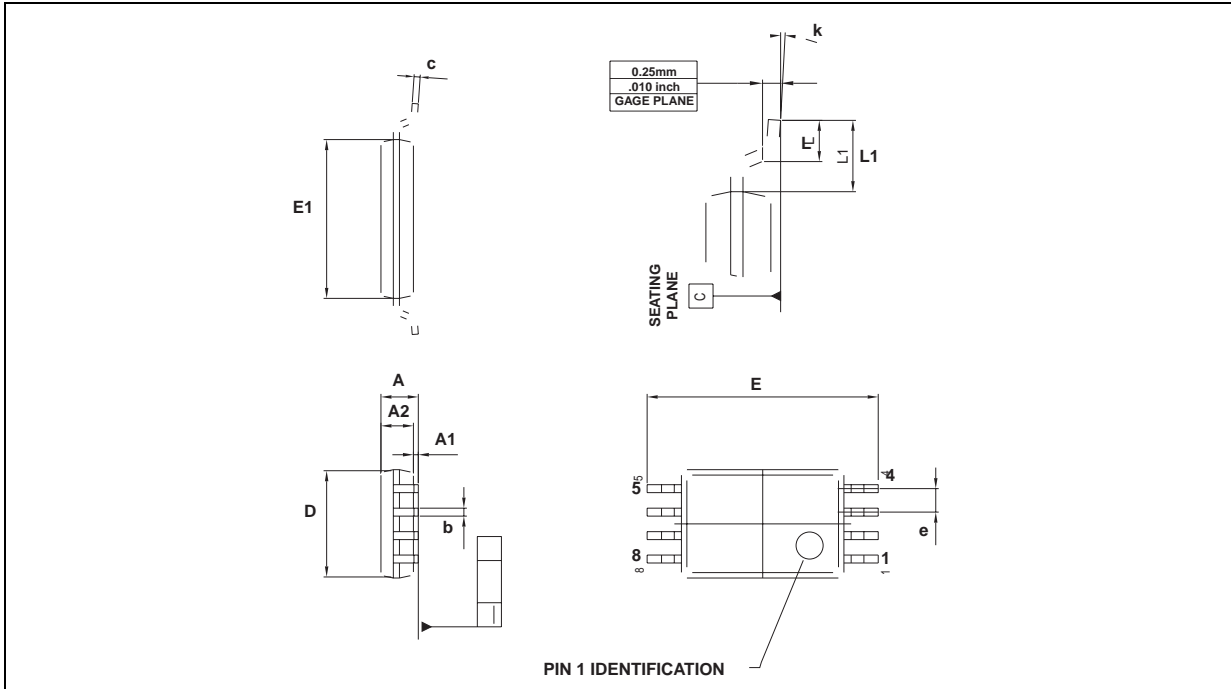
| Dim. | Millimeters | | | Inches | | |
|------|-------------|------|-------|--------|-------|-------|
| | Min. | Typ. | Max. | Min. | Typ. | Max. |
| A | | 3.32 | | | 0.131 | |
| a1 | 0.51 | | | 0.020 | | |
| B | 1.15 | | 1.65 | 0.045 | | 0.065 |
| b | 0.356 | | 0.55 | 0.014 | | 0.022 |
| b1 | 0.204 | | 0.304 | 0.008 | | 0.012 |
| D | | | 10.92 | | | 0.430 |
| E | 7.95 | | 9.75 | 0.313 | | 0.384 |
| e | | 2.54 | | | 0.100 | |
| e3 | | 7.62 | | | 0.300 | |
| e4 | | 7.62 | | | 0.300 | |
| F | | | 6.6 | | | 0.260 |
| i | | | 5.08 | | | 0.200 |
| L | 3.18 | | 3.81 | 0.125 | | 0.150 |
| Z | | | 1.52 | | | 0.060 |

PACKAGE MECHANICAL DATA
8 PINS - PLASTIC MICROPACKAGE (SO)



| Dim. | Millimeters | | | Inches | | |
|------|-------------|------|------|--------|-------|-------|
| | Min. | Typ. | Max. | Min. | Typ. | Max. |
| A | | | 1.75 | | | 0.069 |
| a1 | 0.1 | | 0.25 | 0.004 | | 0.010 |
| a2 | | | 1.65 | | | 0.065 |
| a3 | 0.65 | | 0.85 | 0.026 | | 0.033 |
| b | 0.35 | | 0.48 | 0.014 | | 0.019 |
| b1 | 0.19 | | 0.25 | 0.007 | | 0.010 |
| C | 0.25 | | 0.5 | 0.010 | | 0.020 |
| c1 | 45° (typ.) | | | | | |
| D | 4.8 | | 5.0 | 0.189 | | 0.197 |
| E | 5.8 | | 6.2 | 0.228 | | 0.244 |
| e | | 1.27 | | | 0.050 | |
| e3 | | 3.81 | | | 0.150 | |
| F | 3.8 | | 4.0 | 0.150 | | 0.157 |
| L | 0.4 | | 1.27 | 0.016 | | 0.050 |
| M | | | 0.6 | | | 0.024 |
| S | 8° (max.) | | | | | |

PACKAGE MECHANICAL DATA
8 PINS - THIN SHRINK SMALL OUTLINE PACKAGE



| Dim. | Millimeters | | | Inches | | |
|------|-------------|-------|------|--------|--------|-------|
| | Min. | Typ. | Max. | Min. | Typ. | Max. |
| A | | | 1.20 | | | 0.05 |
| A1 | 0.05 | | 0.15 | 0.01 | | 0.006 |
| A2 | 0.80 | 1.00 | 1.05 | 0.031 | 0.039 | 0.041 |
| b | 0.19 | | 0.30 | 0.007 | | 0.15 |
| c | 0.09 | | 0.20 | 0.003 | | 0.012 |
| D | 2.90 | 3.00 | 3.10 | 0.114 | 0.118 | 0.122 |
| E | | 6.40 | | | 0.252 | |
| E1 | 4.30 | 4.40 | 4.50 | 0.169 | 0.173 | 0.177 |
| e | | 0.65 | | | 0.025 | |
| k | 0° | | 8° | 0° | | 8° |
| l | 0.50 | 0.60 | 0.75 | 0.09 | 0.0236 | 0.030 |
| L | 0.45 | 0.600 | 0.75 | 0.018 | 0.024 | 0.030 |
| L1 | | 1.000 | | | 0.039 | |

Information furnished is believed to be accurate and reliable. However, STMicroelectronics assumes no responsibility for the consequences of use of such information nor for any infringement of patents or other rights of third parties which may result from its use. No license is granted by implication or otherwise under any patent or patent rights of STMicroelectronics. Specifications mentioned in this publication are subject to change without notice. This publication supersedes and replaces all information previously supplied. STMicroelectronics products are not authorized for use as critical components in life support devices or systems without express written approval of STMicroelectronics.

© The ST logo is a registered trademark of STMicroelectronics

© 2001 STMicroelectronics - Printed in Italy - All Rights Reserved

STMicroelectronics GROUP OF COMPANIES

Australia - Brazil - China - Finland - France - Germany - Hong Kong - India - Italy - Japan - Malaysia - Malta - Morocco
 Singapore - Spain - Sweden - Switzerland - United Kingdom

© <http://www.st.com>