

PROTECTION PRODUCTS

Description

The STF203 is a combination EMI filter and line termination device with integrated TVS diodes for use on upstream USB ports. It is constructed using a proprietary technology that allows passive components and TVS diodes to be integrated in the same package. Each device will provide termination, filtering, and ESD protection for one upstream USB port. The STF203 is an easily implemented solution for meeting the requirements of revision 1.1 of the Universal Serial Bus specification.

Line termination is achieved with series resistors on both the D+ and D- USB lines. The value of series resistance added to the output impedance of the USB driver must be as close to possible to the 45 Ω characteristic impedance of the cable (90 Ω balanced) to minimize transmission line reflections. They are available with resistor values of 15 Ω (STF203-15), 22 Ω (STF203-22), and 33 Ω (STF203-33). The 1.5k Ω pull-up resistor is required by the USB specification to identify the equipment as either a full-speed (connected to D+ line) or low-speed (connected to D- line) device. The 47pF capacitors are required to bypass high frequency energy to ground and to control the edge rate of the USB signals. The TVS diodes provide ESD protection of both (D+ and D-) data lines and the voltage bus (V_{BUS}). The TVS diodes on the input/output pins provide suppression of ESD voltages in excess of $\pm 15\text{kV}$ (air discharge) and $\pm 8\text{kV}$ (contact discharge) per IEC 61000-4-2, level 4. The TVS diode on the V_{BUS} pin will suppress ESD discharges in excess of 25kV per IEC 61000-4-2.

Features

- ◆ Bidirectional EMI/RFI filtering and line termination with integrated ESD protection
- ◆ ESD protection for USB power (V_{BUS}) and data lines (D+ and D-) to
IEC 61000-4-2 (ESD) $\pm 15\text{kV}$ (air), $\pm 8\text{kV}$ (contact)
IEC 61000-4-4 (EFT) 40A (5/50ns)
- ◆ Filtering and termination for one USB port
- ◆ Series resistors: 15 Ω , 22 Ω , and 33 Ω
- ◆ Low TVS operating voltage (5.25V)
- ◆ Low leakage current
- ◆ Small SC70-6L package
- ◆ Solid-state technology

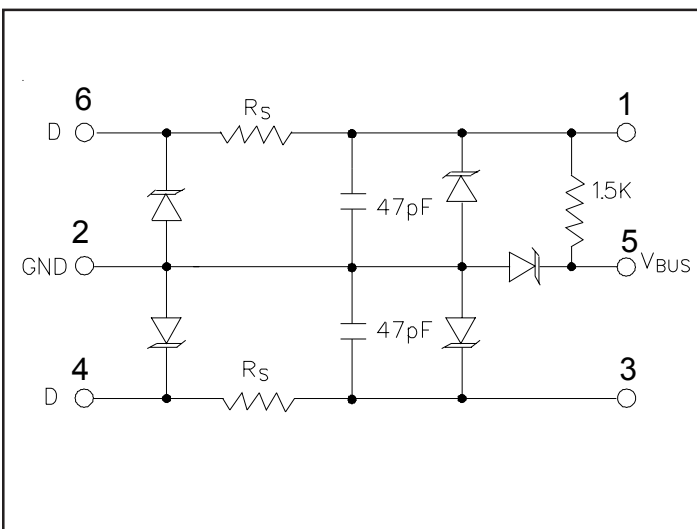
Mechanical Characteristics

- ◆ EIAJ SC70-6L package
- ◆ Molding compound flammability rating: UL 94V-0
- ◆ Marking : Marking Code
- ◆ Packaging : Tape and Reel per EIA 481

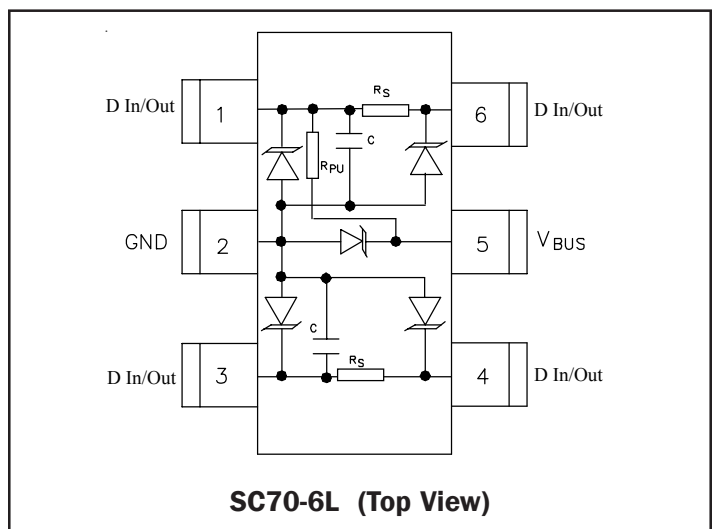
Applications

- ◆ USB Ports
- ◆ Cellular Handsets
- ◆ PDA
- ◆ Pagers
- ◆ Digital Cameras
- ◆ PC Peripherals
- ◆ MP3 Players

Circuit Diagram



Schematic and PIN Configuration



PROTECTION PRODUCTS
Absolute Maximum Rating

Rating	Symbol	Value	Units
Steady-State Power	P_{pk}	100	mW
ESD Air Discharge per IEC 61000-4-2 ESD Contact Discharge per IEC 61000-4-2	V_{ESD}	16 10	kV
Lead Soldering Temperature	T_L	260 (10 sec.)	°C
Operating Temperature	T_J	-40 to +125	°C
Storage Temperature	T_{STG}	-55 to +150	°C

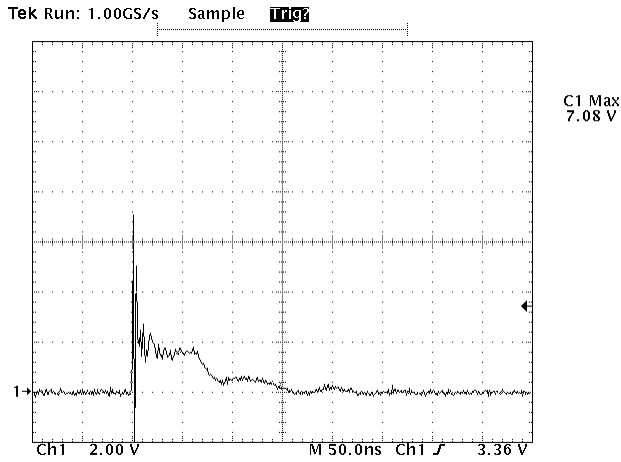
Electrical Characteristics

STF203-XX						
Parameter	Symbol	Conditions	Minimum	Typical	Maximum	Units
TVS Reverse Stand-Off Voltage	V_{RWM}				5.25	V
TVS Reverse Breakdown Voltage	V_{BR}	$I_t = 1mA$	6			V
TVS Reverse Leakage Current	I_R	$V_{RWM} = 5.25V, T=25^\circ C$ Between V_{BUS} pin and Ground			5	μA
TVS Reverse Leakage Current	I_R	$V_{RWM} = 3.3V, T=25^\circ C$ Between any data (D+, D-) pin and Ground.			1	μA
Series Resistance (STF203-15)	R_S	Each Line	13.5	15	16.5	Ω
Series Resistance (STF203-22)	R_S	Each Line	20	22	24	Ω
Series Resistance (STF203-33)	R_S	Each Line	30	33	36	Ω
Pull Up Resistance	R_{UP}		1.35	1.5	1.65	k Ω
Capacitor	C	Each Line		47		pF
Total Capacitance	C_{TOT}	Between Input or Output to Ground $V_R = 0V, f = 1MHz$		60		pF

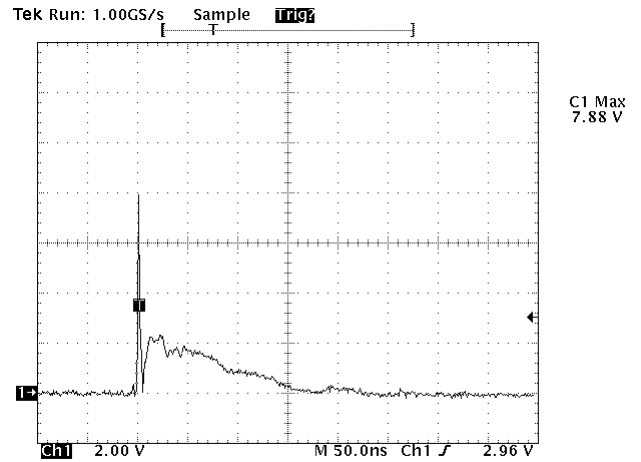
PROTECTION PRODUCTS

Typical Characteristics

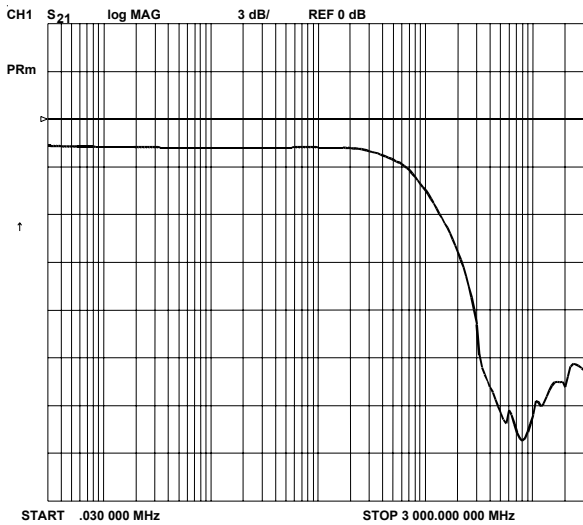
ESD Clamping (8kV Contact)



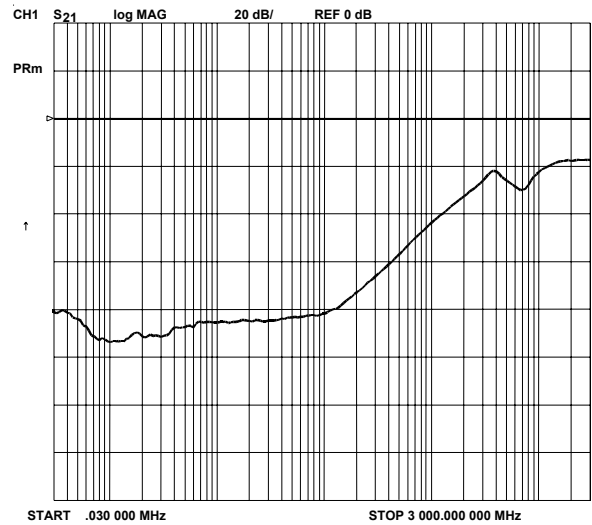
ESD Clamping (15kV Air)



Typical Insertion Loss



Analog Crosstalk (D+ to D-)



PROTECTION PRODUCTS
Applications Information
Device Connection

The STF203 is designed to provide termination, EMI filtering and ESD protection for one USB port. The device is connected as follows:

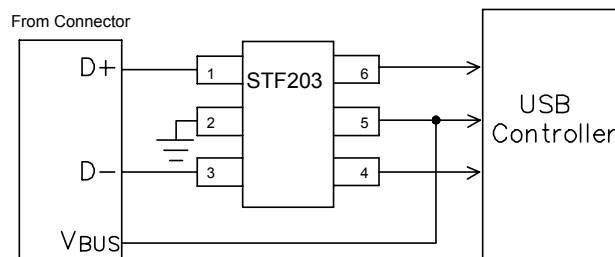
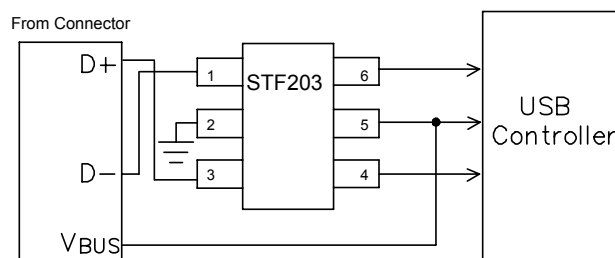
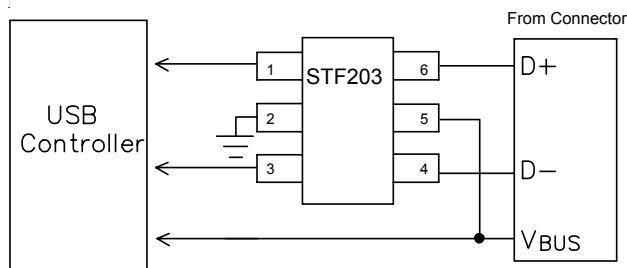
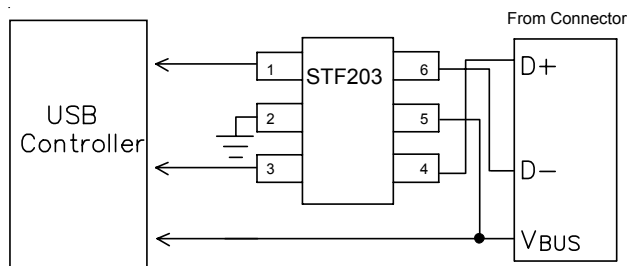
1. Full-Speed Devices: For full-speed devices the pull-up resistor is connected to the D+ line. Route the D+ line from the connector to pin 1 of the STF203. Pin 6 is connected to the D+ line of the IC. Route the D- line from the connector to pin 3. Pin 4 is connected to the D- line of the IC. Pin 5 is connected to the voltage supply line (V_{BUS}). Pin 2 is connected to ground. Note that the input and output connections may be reversed if necessary (See Figure 3).

2. Low-Speed Devices: For low speed devices the pull-up resistor is connected to the D- line. Route the D- line from the connector to pin 1 of the STF203. Pin 6 is connected to the D- line of the IC. Route the D+ line from the connector to pin 3. Pin 4 is connected to the D+ line of the IC. Pin 5 is connected to the voltage supply line (V_{BUS}). Pin 2 is connected to ground. Note that the input and output connections may be reversed if necessary (See Figure 4).

USB Port Design Considerations

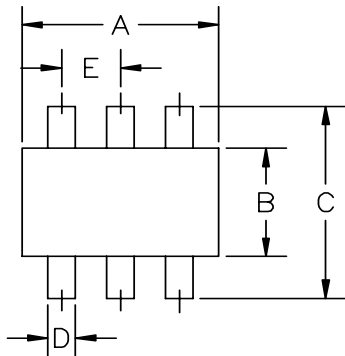
The Universal Serial Bus (USB) specification requires termination and filtering components for proper operation. In addition, an open USB socket is vulnerable to hazardous ESD discharges in excess of 15kV. These discharges can occur on the data lines or the voltage bus. The STF203 is an easily implemented solution that is designed to meet the termination and EMI filter requirements of the USB specification revision 1.1. It also provides ESD protection to IEC 61000-4-2, level 4.

USB line termination is achieved with series resistors on both the D+ and D- lines. These resistors preserve signal integrity by matching the cable impedance to that of the differential driver. A 1.5k Ω pull-up resistor is used to identify an upstream port on either the D+ (full speed devices) or the D- (low speed devices) data line. Capacitors are used for EMI suppression. TVS diodes provide ESD protection of both (D+ and D-) data lines and the voltage bus (V_{BUS}). The STF203 integrates all of these components in a small SC-70 package. This integrated solution simplifies design and requires minimal board space.

Figure 1 - Preferred Connection Diagram (Full Speed Devices)

Figure 2 - Preferred Connection Diagram (Low Speed Devices)

Figure 3 - Alternate Connection Diagram (Full Speed Devices)

Figure 4 - Alternate Connection Diagram (Low Speed Devices)


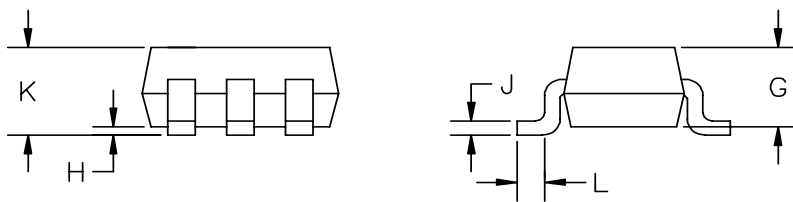
PROTECTION PRODUCTS

Outline Drawing



DIM ^N	DIMENSIONS (1)				NOTE
	INCHES		MM		
	MIN	MAX	MIN	MAX	
A	.071	.087	1.80	2.20	—
B	.045	.053	1.15	1.35	—
C	.071	.094	1.80	2.40	—
D	.006	.012	.150	.300	—
E	.026	BSC	.650	BSC	—
G	.031	.039	.800	1.00	—
H	0.00	.004	0.00	.100	—
J	.004	.007	.100	.180	—
K	.031	.043	.800	1.10	—
L	.004	.012	.100	.300	—

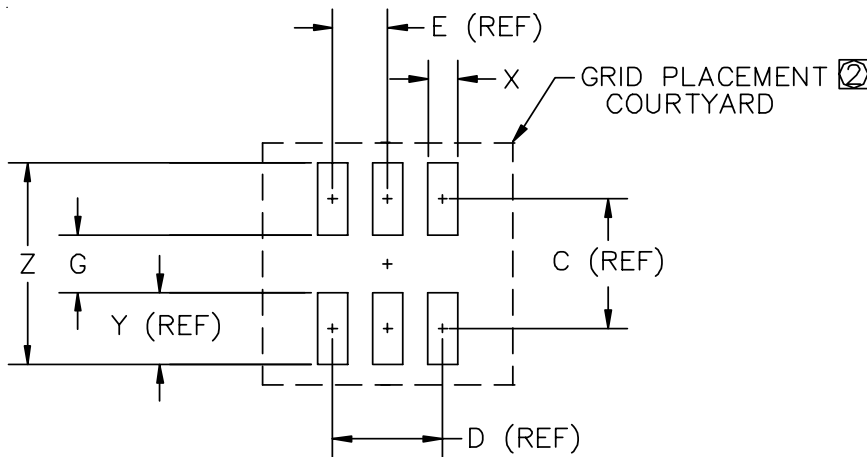
JEDEC EIAJSC70



② PACKAGE OUTLINE EXCLUSIVE OF MOLD FLASH AND METAL BURR.

① CONTROLLING DIMENSIONS: MILLIMETERS.

Land Pattern



DIM ^N	DIMENSIONS (1)				NOTE
	INCHES		MM		
	MIN	MAX	MIN	MAX	
C	—	.063	—	1.60	—
D	—	.052	—	1.30	—
E	—	.026	—	.65	—
G	—	.028	—	.70	—
X	—	.014	—	.35	—
Y	—	.035	—	.90	—
Z	—	.098	—	2.50	—

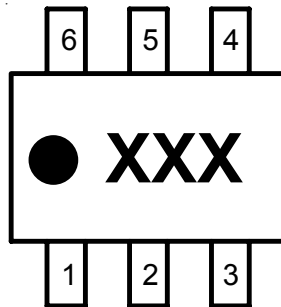
② GRID PLACEMENT COURTYARD IS 6 x 6 ELEMENTS (3 mm X 3 mm) IN ACCORDANCE WITH THE INTERNATIONAL GRID DETAILED IN IEC PUBLICATION 97.

① CONTROLLING DIMENSION: MILLIMETERS

PROTECTION PRODUCTS

Marking

Part Number	Series Resistor	Marking Code
STF203-15	15 Ω	315
STF203-22	22 Ω	322
STF203-33	33 Ω	333



Note: XXX = Marking Code

Ordering Information

Part Number	Series Resistor	Qty per Reel	Reel Size
STF203-15.TC	15 Ω	3,000	7 Inch
STF203-22.TC	22 Ω	3,000	7 Inch
STF203-33.TC	33 Ω	3,000	7 Inch

Contact Information

Semtech Corporation
 Protection Products Division
 200 Flynn Road, Camarillo, CA 93012
 Phone: (805)498-2111 FAX (805)498-3804