

### FEATURES

#### High DC Precision

- 75  $\mu\text{V}$  max Offset Voltage
- 1  $\mu\text{V}/^\circ\text{C}$  max Offset Voltage Drift
- 150 pA max Input Bias Current
- 0.2 pA/ $^\circ\text{C}$  typical  $I_B$  Drift

#### Low Noise

- 0.5  $\mu\text{V}$  p-p typical Noise, 0.1 Hz to 10 Hz

#### Low Power

- 600  $\mu\text{A}$  max Supply Current per Amplifier
- Chips & MIL-STD-883B Processing Available
- Available in Tape and Reel in Accordance with EIA-481A Standard
- Single Version: AD705, Dual Version: AD706

### PRIMARY APPLICATIONS

- Industrial/Process Controls
- Weigh Scales
- ECG/EKG Instrumentation
- Low Frequency Active Filters

### PRODUCT DESCRIPTION

The AD704 is a quad, low power bipolar op amp that has the low input bias current of a BiFET amplifier but which offers a significantly lower  $I_B$  drift over temperature. It utilizes Super-beta bipolar input transistors to achieve picoampere input bias current levels (similar to FET input amplifiers at room temperature), while its  $I_B$  typically only increases by 5 $\times$  at +125 $^\circ\text{C}$  (unlike a BiFET amp, for which  $I_B$  doubles every 10 $^\circ\text{C}$  resulting in a 1000 $\times$  increase at +125 $^\circ\text{C}$ ). Furthermore the AD704 achieves 75  $\mu\text{V}$  offset voltage and low noise characteristics of a precision bipolar input op amp.

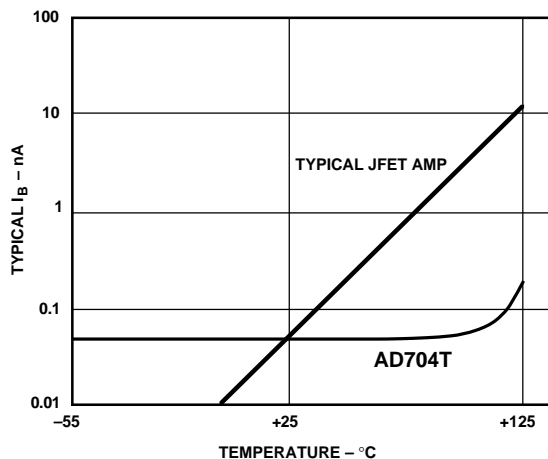
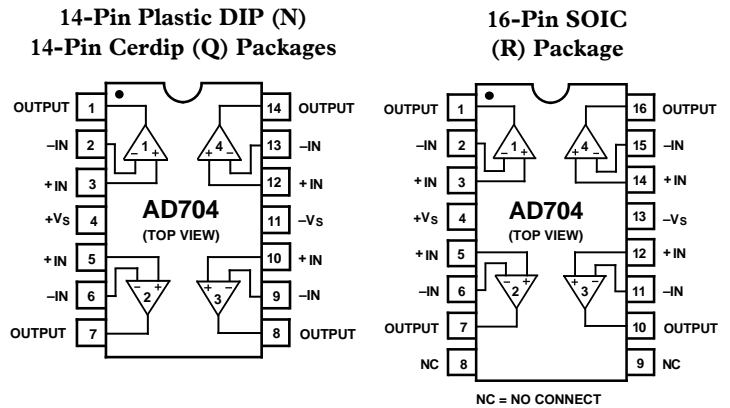


Figure 1. Input Bias Current Over Temperature

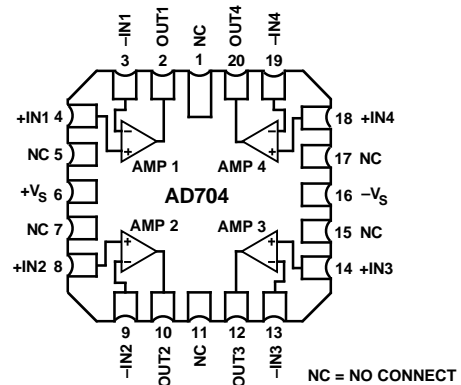
### REV. A

Information furnished by Analog Devices is believed to be accurate and reliable. However, no responsibility is assumed by Analog Devices for its use, nor for any infringements of patents or other rights of third parties which may result from its use. No license is granted by implication or otherwise under any patent or patent rights of Analog Devices.

### CONNECTION DIAGRAMS



### (E) Package 20-Terminal LCC



Since it has only 1/20 the input bias current of an AD OP07, the AD704 does not require the commonly used “balancing” resistor. Furthermore, the current noise is 1/5 that of the AD OP07 which makes the AD704 usable with much higher source impedances. At 1/6 the supply current (per amplifier) of the AD OP07, the AD704 is better suited for today’s higher density circuit boards and battery powered applications.

The AD704 is an excellent choice for use in low frequency active filters in 12- and 14-bit data acquisition systems, in precision instrumentation, and as a high quality integrator. The AD704 is internally compensated for unity gain and is available in five performance grades. The AD704J and AD704K are rated over the commercial temperature range of 0 $^\circ\text{C}$  to +70 $^\circ\text{C}$ . The AD704A and AD704B are rated over the industrial temperature of -40 $^\circ\text{C}$  to +85 $^\circ\text{C}$ . The AD704T is rated over the military temperature range of -55 $^\circ\text{C}$  to +125 $^\circ\text{C}$  and is available processed to MIL-STD-883B, Rev. C.

# AD704—SPECIFICATIONS (@ $T_A = +25^\circ\text{C}$ , $V_{CM} = 0\text{ V}$ , and $\pm 15\text{ V}$ dc, unless otherwise noted)

Model	Conditions	AD704J/A			AD704K/B			AD704T			Units
		Min	Typ	Max	Min	Typ	Max	Min	Typ	Max	
<b>INPUT OFFSET VOLTAGE</b>											
Initial Offset			50	150		30	75		30	100	$\mu\text{V}$
Offset	$T_{\text{MIN}}-T_{\text{MAX}}$		100	250		50	150		80	150	$\mu\text{V}$
vs. Temp, Average TC			0.2	1.5		0.2	1.0			1.0	$\mu\text{V}/^\circ\text{C}$
vs. Supply (PSRR)	$V_S = \pm 2$ to $\pm 18\text{ V}$	100	132		112	132		112	132		dB
$T_{\text{MIN}}-T_{\text{MAX}}$	$V_S = \pm 2.5$ to $\pm 18\text{ V}$	100	126		108	126		108	126		dB
Long Term Stability			0.3			0.3			0.3		$\mu\text{V}/\text{month}$
<b>INPUT BIAS CURRENT<sup>1</sup></b>											
	$V_{CM} = 0\text{ V}$		100	270		80	150		80	200	pA
	$V_{CM} = \pm 13.5\text{ V}$			300			200			250	pA
vs. Temp, Average TC			0.3			0.2			1.0		$\text{pA}/^\circ\text{C}$
$T_{\text{MIN}}-T_{\text{MAX}}$	$V_{CM} = 0\text{ V}$			300			200			600	pA
$T_{\text{MIN}}-T_{\text{MAX}}$	$V_{CM} = \pm 13.5\text{ V}$			400			300			700	pA
<b>INPUT OFFSET CURRENT</b>											
	$V_{CM} = 0\text{ V}$		80	250		30	100		50	150	pA
	$V_{CM} = \pm 13.5\text{ V}$			300			150			200	pA
vs. Temp, Average TC			0.6			0.4			0.4		$\text{pA}/^\circ\text{C}$
$T_{\text{MIN}}-T_{\text{MAX}}$	$V_{CM} = 0\text{ V}$		100	300		80	200		80	400	pA
$T_{\text{MIN}}-T_{\text{MAX}}$	$V_{CM} = \pm 13.5\text{ V}$		100	400		80	300		100	500	pA
<b>MATCHING CHARACTERISTICS</b>											
Offset Voltage				250			130			150	$\mu\text{V}$
	$T_{\text{MIN}}-T_{\text{MAX}}$			400			200			250	$\mu\text{V}$
Input Bias Current <sup>2</sup>				500			300			400	pA
	$T_{\text{MIN}}-T_{\text{MAX}}$			600			400			600	pA
Common-Mode Rejection <sup>3</sup>		94			110			104			dB
	$T_{\text{MIN}}-T_{\text{MAX}}$	94			104			104			dB
Power Supply Rejection <sup>4</sup>		94			110			110			dB
	$T_{\text{MIN}}-T_{\text{MAX}}$	94			106			106			dB
Crosstalk <sup>5</sup>	$f = 10\text{ Hz}$ $R_{\text{LOAD}} = 2\text{ k}\Omega$		150			150			150		dB
<b>FREQUENCY RESPONSE</b>											
<b>UNITY GAIN</b>											
Crossover Frequency			0.8			0.8			0.8		MHz
Slew Rate, Unity Gain	$G = -1$		0.15			0.15			0.15		$\text{V}/\mu\text{s}$
Slew Rate	$T_{\text{MIN}}-T_{\text{MAX}}$		0.1			0.1			0.1		$\text{V}/\mu\text{s}$
<b>INPUT IMPEDANCE</b>											
Differential			40  2			40  2			40  2		$\text{M}\Omega  \text{pF}$
Common-Mode			300  2			300  2			300  2		$\text{G}\Omega  \text{pF}$
<b>INPUT VOLTAGE RANGE</b>											
Common-Mode Voltage		$\pm 13.5$	$\pm 14$		$\pm 13.5$	$\pm 14$		$\pm 13.5$	$\pm 14$		V
Common-Mode Rejection Ratio	$V_{CM} = \pm 13.5\text{ V}$	100	132		114	132		110	132		dB
	$T_{\text{MIN}}-T_{\text{MAX}}$	98	128		108	128		108	128		dB
<b>INPUT CURRENT NOISE</b>											
	0.1 to 10 Hz		3			3			3		$\text{pA p-p}$
	$f = 10\text{ Hz}$		50			50			50		$\text{fA}/\sqrt{\text{Hz}}$
<b>INPUT VOLTAGE NOISE</b>											
	0.1 to 10 Hz		0.5		0.5	2.0		0.5	2.0		$\mu\text{V p-p}$
	$f = 10\text{ Hz}$		17		17			17			$\text{nV}/\sqrt{\text{Hz}}$
	$f = 1\text{ kHz}$		15	22	15	22		15	22		$\text{nV}/\sqrt{\text{Hz}}$
<b>OPEN-LOOP GAIN</b>											
	$V_O = \pm 12\text{ V}$		200	2000		400	2000		400	2000	$\text{V}/\text{mV}$
	$R_{\text{LOAD}} = 10\text{ k}\Omega$		150	1500		300	1500		300	1500	$\text{V}/\text{mV}$
	$T_{\text{MIN}}-T_{\text{MAX}}$										
	$V_O = \pm 10\text{ V}$		200	1000		300	1000		200	1000	$\text{V}/\text{mV}$
	$R_{\text{LOAD}} = 2\text{ k}\Omega$		150	1000		200	1000		100	1000	$\text{V}/\text{mV}$
	$T_{\text{MIN}}-T_{\text{MAX}}$										

Model	Conditions	AD704J/A			AD704K/B			AD704T			Units
		Min	Typ	Max	Min	Typ	Max	Min	Typ	Max	
<b>OUTPUT CHARACTERISTICS</b>											
Voltage Swing	$R_{LOAD} = 10\text{ k}\Omega$ $T_{MIN}-T_{MAX}$ Short Circuit	$\pm 13$	$\pm 14$		$\pm 13$	$\pm 14$		$\pm 13$	$\pm 14$		V
Current				$\pm 15$		$\pm 15$			$\pm 15$		
<b>CAPACITIVE LOAD</b>											
Drive Capability	Gain = + 1		10,000		10,000		10,000				pF
<b>POWER SUPPLY</b>											
Rated Performance			$\pm 15$		$\pm 15$		$\pm 15$		$\pm 15$		V
Operating Range		$\pm 2.0$		$\pm 18$	$\pm 2.0$		$\pm 18$	$\pm 2.0$		$\pm 18$	V
Quiescent Current	$T_{MIN}-T_{MAX}$		1.5	2.4		1.5	2.4		1.5	2.4	mA
			1.6	2.6		1.6	2.6		1.6	2.6	mA
<b>TRANSISTOR COUNT</b>											
# of Transistors			180		180		180				

NOTES

- <sup>1</sup>Bias current specifications are guaranteed maximum at either input.
- <sup>2</sup>Input bias current match is the maximum difference between corresponding inputs of all four amplifiers.
- <sup>3</sup>CMRR match is the difference of  $\Delta V_{OS}/\Delta V_{CM}$  between any two amplifiers, expressed in dB.
- <sup>4</sup>PSRR match is the difference between  $\Delta V_{OS}/\Delta V_{SUPPLY}$  for any two amplifiers, expressed in dB.
- <sup>5</sup>See Figure 2a for test circuit.

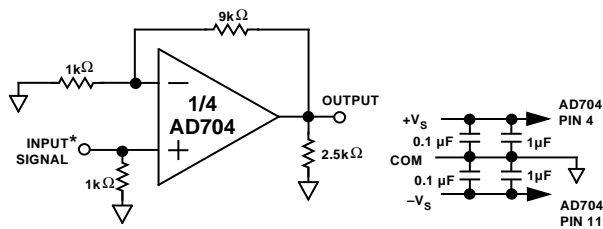
All min and max specifications are guaranteed.  
Specifications subject to change without notice.

**ABSOLUTE MAXIMUM RATINGS<sup>1</sup>**

- Supply Voltage . . . . .  $\pm 18\text{ V}$
- Internal Power Dissipation (+25°C) . . . . . See Note 2
- Input Voltage . . . . .  $\pm V_S$
- Differential Input Voltage<sup>3</sup> . . . . .  $\pm 0.7\text{ V}$
- Output Short Circuit Duration (Single Input) . . . . . Indefinite
- Storage Temperature Range (Q) . . . . .  $-65^\circ\text{C}$  to  $+150^\circ\text{C}$
- (N, R) . . . . .  $-65^\circ\text{C}$  to  $+125^\circ\text{C}$
- Operating Temperature Range AD704J/K . . . . .  $0^\circ\text{C}$  to  $+70^\circ\text{C}$
- AD704A/B . . . . .  $-40^\circ\text{C}$  to  $+85^\circ\text{C}$
- AD704T . . . . .  $-55^\circ\text{C}$  to  $+125^\circ\text{C}$
- Lead Temperature Range (Soldering 10 seconds) . . . . .  $+300^\circ\text{C}$

NOTES

- <sup>1</sup>Stresses above those listed under "Absolute Maximum Ratings" may cause permanent damage to the device. This is a stress rating only and functional operation of the device at these or any other conditions above those indicated in the operational section of this specification is not implied. Exposure to absolute maximum rating conditions for extended periods may affect device reliability.
- <sup>2</sup>Specification is for device in free air:  
14-Pin Plastic Package:  $\theta_{JA} = 150^\circ\text{C}/\text{Watt}$   
14-Pin Cerdip Package:  $\theta_{JA} = 110^\circ\text{C}/\text{Watt}$   
16-Pin SOIC Package:  $\theta_{JA} = 100^\circ\text{C}/\text{Watt}$   
20-Terminal LCC Package:  $\theta_{JA} = 150^\circ\text{C}/\text{Watt}$
- <sup>3</sup>The input pins of this amplifier are protected by back-to-back diodes. If the differential voltage exceeds  $\pm 0.7$  volts, external series protection resistors should be added to limit the input current to less than 25 mA.



ALL 4 AMPLIFIERS ARE CONNECTED AS SHOWN  
\*THE SIGNAL INPUT (SUCH THAT THE AMPLIFIER'S OUTPUT IS AT MAX AMPLITUDE WITHOUT CLIPPING OR SLEW LIMITING) IS APPLIED TO ONE AMPLIFIER AT A TIME. THE OUTPUTS OF THE OTHER THREE AMPLIFIERS ARE THEN MEASURED FOR CROSSTALK.

Figure 2a. Crosstalk Test Circuit

**METALIZATION PHOTOGRAPH**

Dimensions shown in inches and (mm).  
Contact factory for latest dimensions.

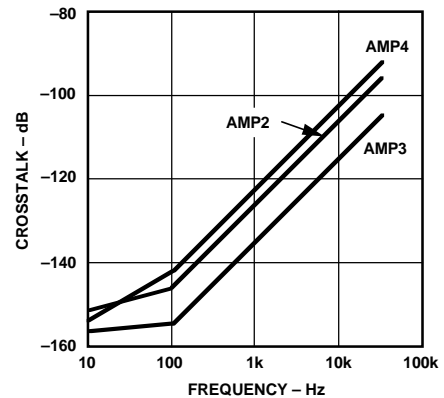
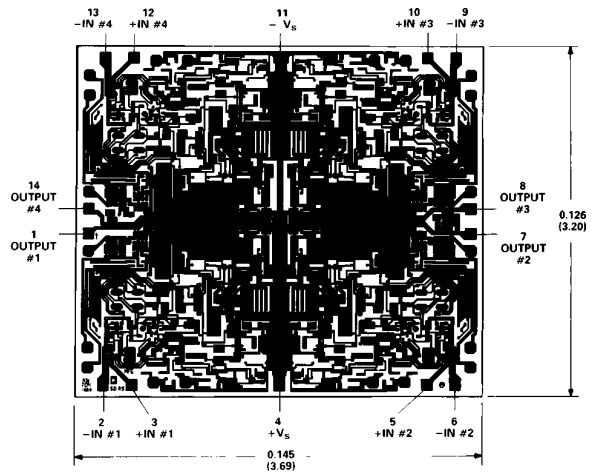


Figure 2b. Crosstalk vs. Frequency

# AD704—Typical Characteristics (@ +25°C, $V_S = \pm 15\text{ V}$ , unless otherwise noted)

## ORDERING GUIDE

Model	Temperature Range	Package Option*
AD704JN	0°C to +70°C	N-14
AD704JR	0°C to +70°C	R-16
AD704JR-/REEL	0°C to +70°C	Tape and Reel
AD704KN	0°C to +70°C	N-14
AD704AN	-40°C to +85°C	N-14
AD704AQ	-40°C to +85°C	Q-14
AD704AR	-40°C to +85°C	R-16
AD704AR-/REEL	-40°C to +85°C	Tape and Reel
AD704BQ	-40°C to +85°C	Q-14
AD704SE/883B	-55°C to +125°C	E-20A
AD704TQ	-55°C to +125°C	Q-14
AD704TQ/883B	-55°C to +125°C	Q-14

Chips are also available.

\*E = Leadless Ceramic Chip Carrier; N = Plastic DIP; Q = Cerdip;  
R = Small Outline (SOIC).

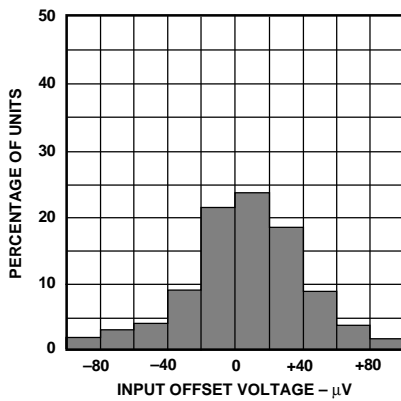


Figure 3. Typical Distribution of Input Offset Voltage

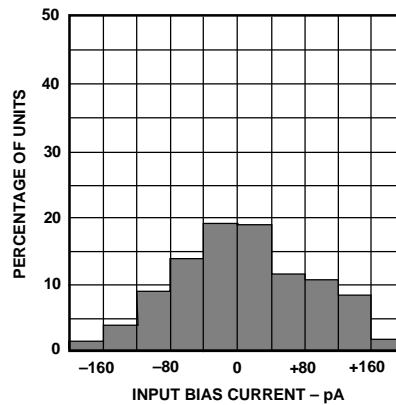


Figure 4. Typical Distribution of Input Bias Current

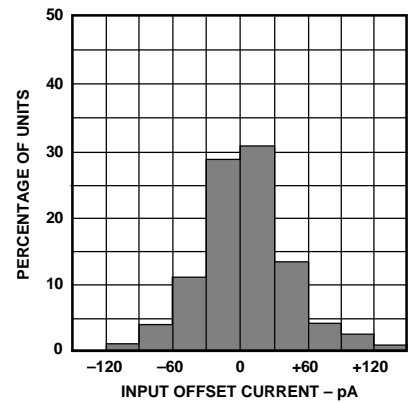


Figure 5. Typical Distribution of Input Offset Current

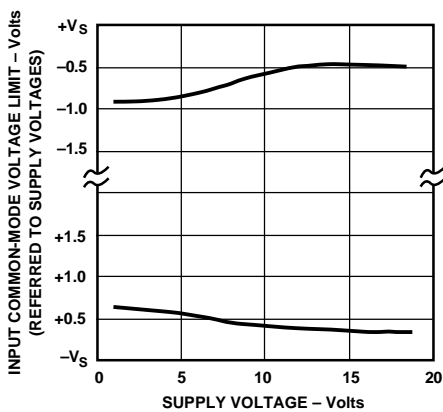


Figure 6. Input Common-Mode Voltage Range vs. Supply Voltage

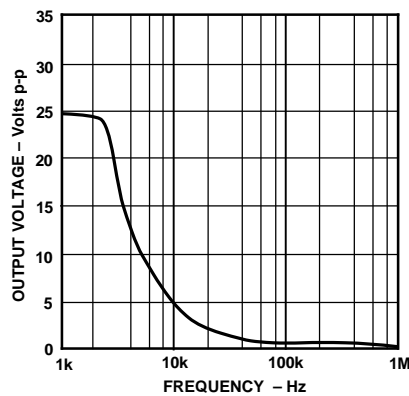


Figure 7. Large Signal Frequency Response

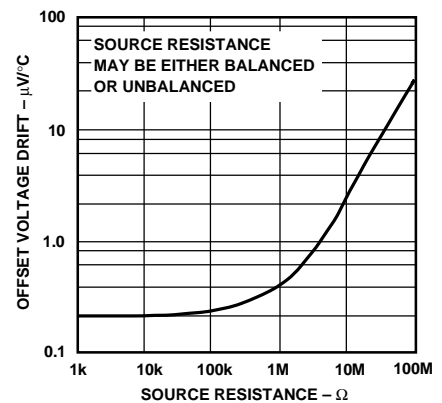


Figure 8. Offset Voltage Drift vs. Source Resistance

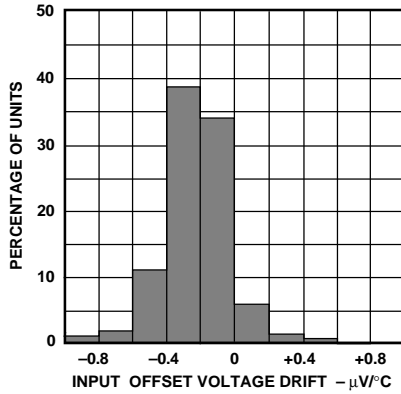


Figure 9. Typical Distribution of Offset Voltage Drift

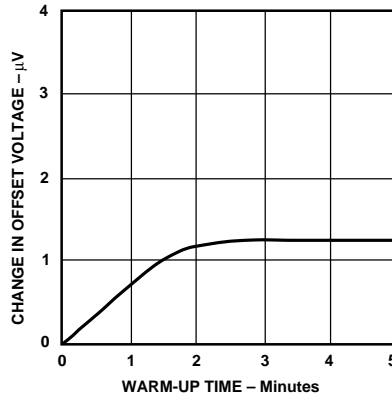


Figure 10. Change in Input Offset Voltage vs. Warm-Up Time

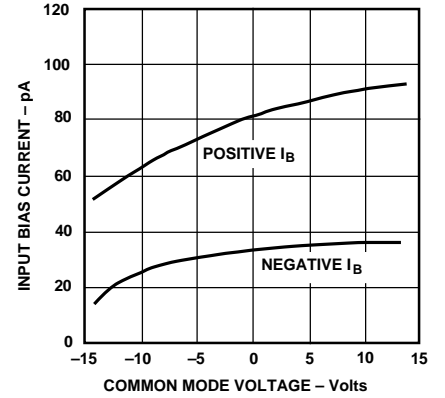


Figure 11. Input Bias Current vs. Common-Mode Voltage

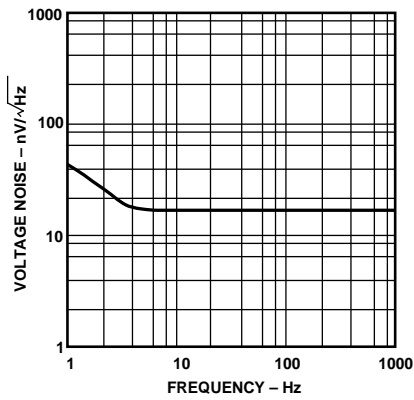


Figure 12. Input Noise Voltage Spectral Density

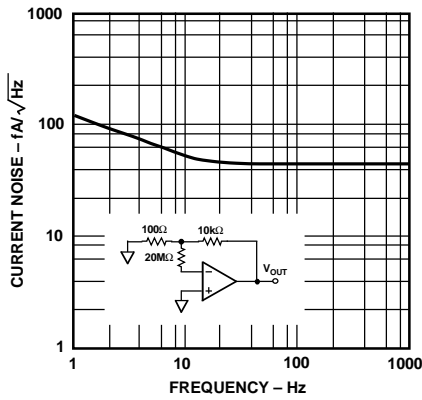


Figure 13. Input Noise Current Spectral Density

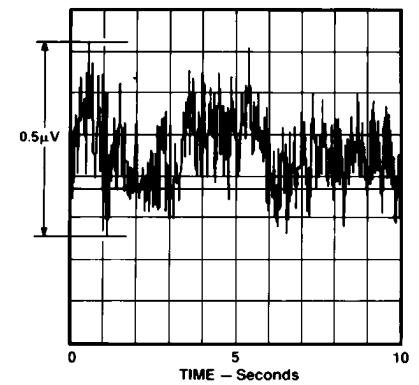


Figure 14. 0.1 Hz to 10 Hz Noise Voltage

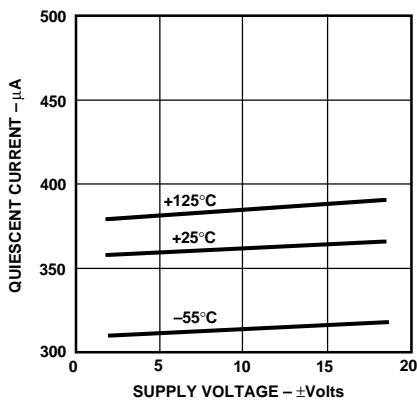


Figure 15. Quiescent Supply Current vs. Supply Voltage (per Amplifier)

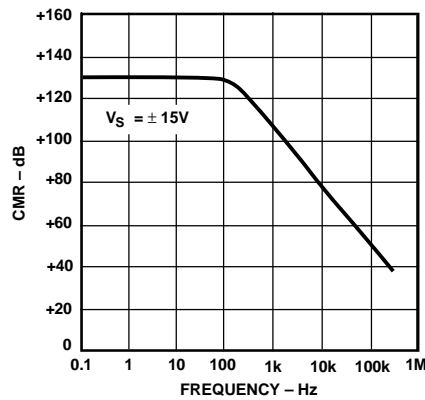


Figure 16. Common-Mode Rejection vs. Frequency

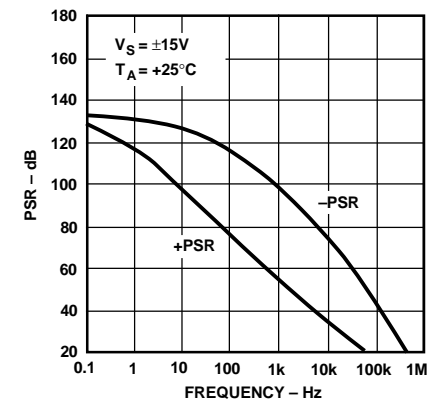


Figure 17. Power Supply Rejection vs. Frequency

# AD704

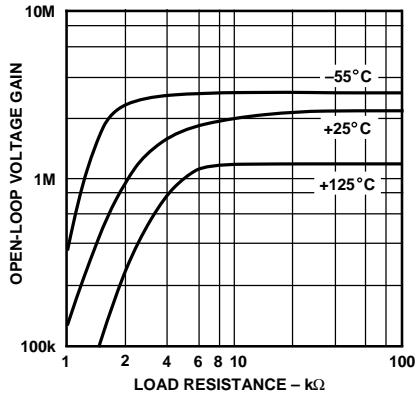


Figure 18. Open-Loop Gain vs. Load Resistance Over Temperature

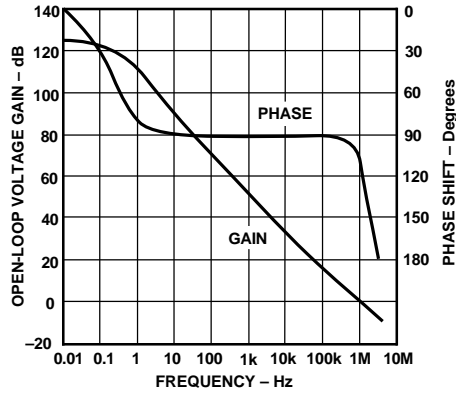


Figure 19. Open-Loop Gain and Phase vs. Frequency

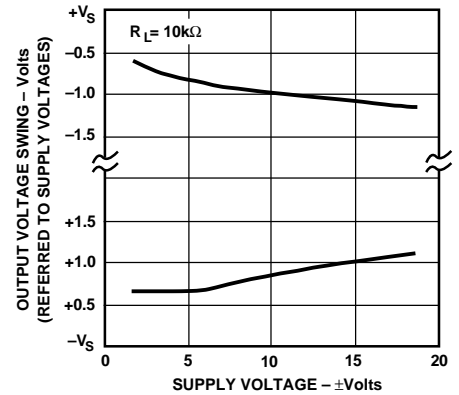


Figure 20. Output Voltage Swing vs. Supply Voltage

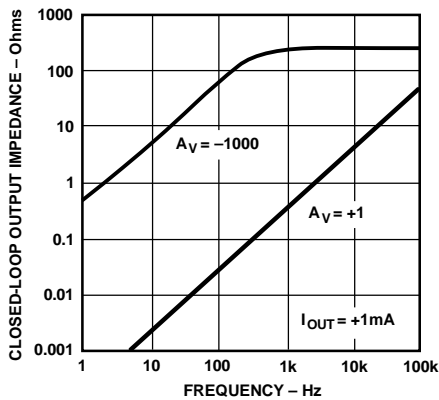


Figure 21. Closed-Loop Output Impedance vs. Frequency

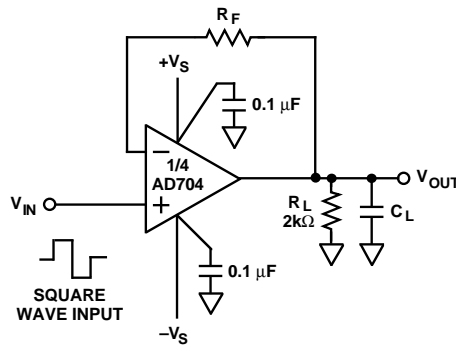


Figure 22a. Unity Gain Follower (For Large Signal Applications, Resistor  $R_F$  Limits the Current Through the Input Protection Diodes)

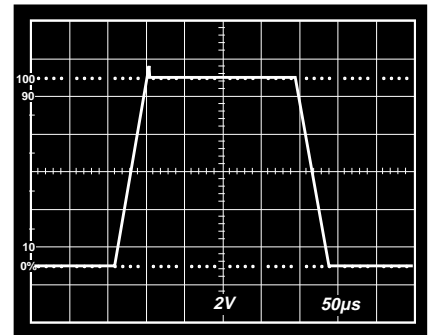


Figure 22b. Unity Gain Follower Large Signal Pulse Response  $R_F = 10 \text{ k}\Omega$ ,  $C_L = 1,000 \text{ pF}$

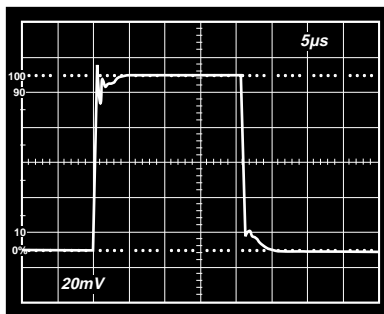


Figure 22c. Unity Gain Follower Small Signal Pulse Response  $R_F = 0 \Omega$ ,  $C_L = 100 \text{ pF}$

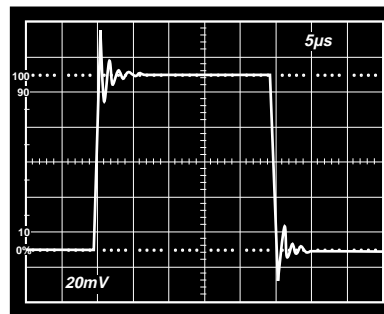


Figure 22d. Unity Gain Follower Small Signal Pulse Response  $R_F = 0 \Omega$ ,  $C_L = 1,000 \text{ pF}$

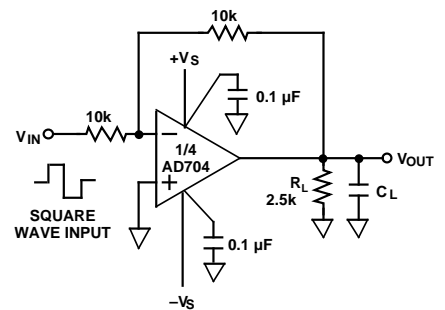


Figure 23a. Unity Gain Inverter Connection

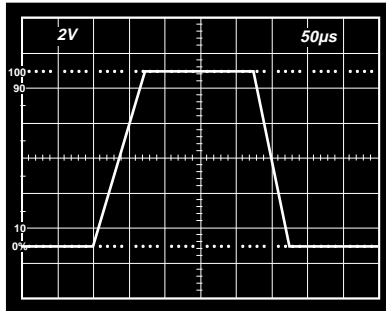


Figure 23b. Unity Gain Inverter Large Signal Pulse Response,  $C_L = 1,000 \text{ pF}$

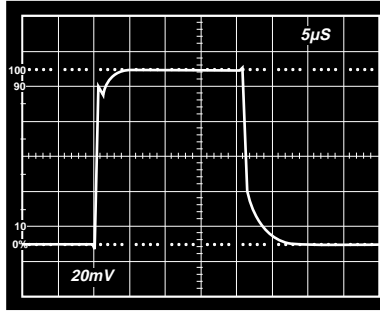


Figure 23c. Unity Gain Inverter Small Signal Pulse Response,  $C_L = 100 \text{ pF}$

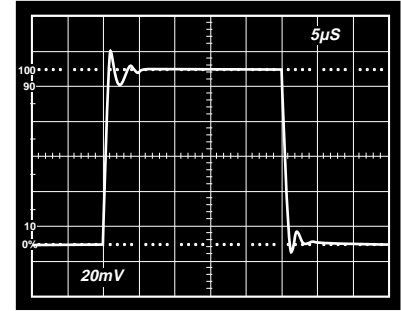


Figure 23d. Unity Gain Inverter Small Signal Pulse Response,  $C_L = 1,000 \text{ pF}$

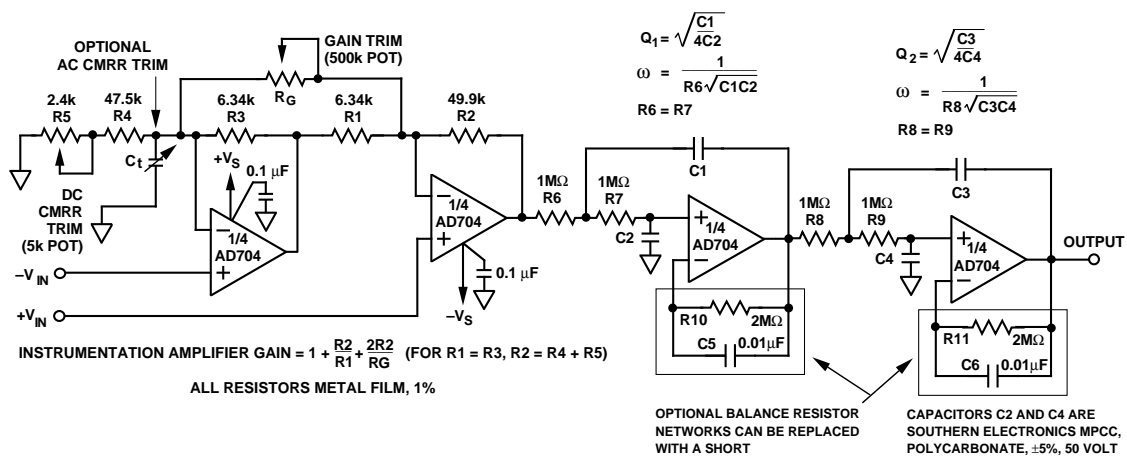


Figure 24. Gain of 10 Instrumentation Amplifier with Post Filtering

The instrumentation amplifier with post filtering (Figure 24) combines two applications which benefit greatly from the AD704. This circuit achieves low power and dc precision over temperature with a minimum of components.

The instrumentation amplifier circuit offers many performance benefits including BiFET level input bias currents, low input offset voltage drift and only 1.2 mA quiescent current. It will operate for gains  $G \geq 2$ , and at lower gains it will benefit from the fact that there is no output amplifier offset and noise contribution as encountered in a 3 op amp design. Good low frequency CMRR is achieved even without the optional AC CMRR trim (Figure 25). Table I provides resistance values for 3 common circuit gains. For other gains, use the following equations:

$$R_2 = R_4 + R_5 = 49.9 \text{ k}\Omega$$

$$R_1 = R_3 = \frac{49.9 \text{ k}\Omega}{0.9 G - 1}$$

$$\text{Max Value of } R_G = \frac{99.8 \text{ k}}{0.06 G}$$

$$C_t \approx \frac{1}{2 \pi (R_3) 5 \times 10^5}$$

Table I. Resistance Values for Various Gains

Circuit Gain (G)	R1 & R3	R <sub>G</sub> (Max Value of Trim Potentiometer)	Bandwidth (-3 dB), Hz
10	6.34 kΩ	166 kΩ	50k
100	526 Ω	16.6 kΩ	5k
1,000	56.2 Ω	1.66 kΩ	0.5k

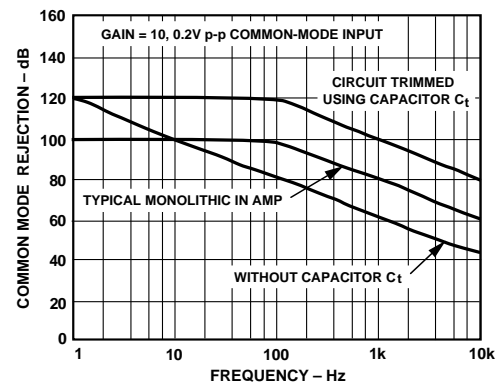


Figure 25. Common-Mode Rejection vs. Frequency with and without Capacitor  $C_t$

# AD704

The 1 Hz, 4-pole active filter offers dc precision with a minimum of components and cost. The low current noise,  $I_{OS}$ , and  $I_B$  allow the use of 1 M $\Omega$  resistors without sacrificing the 1  $\mu\text{V}/^\circ\text{C}$  drift of the AD704. This means lower capacitor values may be used, reducing cost and space. Furthermore, since the AD704's  $I_B$  is as low as its  $I_{OS}$ , over most of the MIL temperature range, most applications do not require the use of the normal balancing resistor (with its stability capacitor). Adding the optional balancing resistor enhances performance at high temperatures, as shown in Figure 26. Table II gives capacitor values for several common low pass responses.

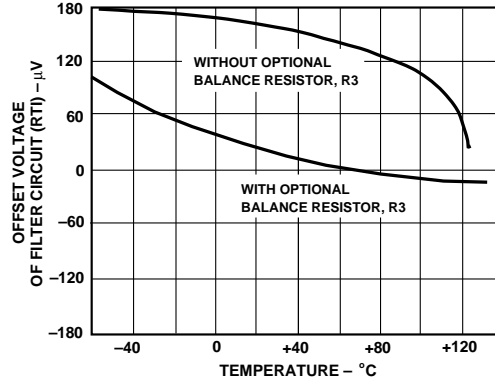


Figure 26.  $V_{OS}$  vs. Temperature Performance of the 1 Hz Filter Circuit

Table II. 1 Hz, 4-Pole Low-Pass Filter Recommended Component Values

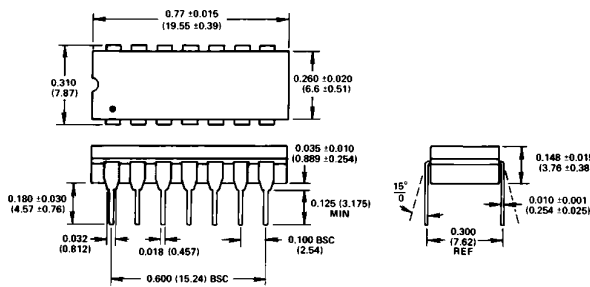
Desired Low Pass Response	Section 1 Frequency (Hz)	Q	Section 2 Frequency (Hz)	Q	C1 ( $\mu\text{F}$ )	C2 ( $\mu\text{F}$ )	C3 ( $\mu\text{F}$ )	C4 ( $\mu\text{F}$ )
Bessel	1.43	0.522	1.60	0.806	0.116	0.107	0.160	0.0616
Butterworth	1.00	0.541	1.00	1.31	0.172	0.147	0.416	0.0609
0.1 dB Chebychev	0.648	0.619	0.948	2.18	0.304	0.198	0.733	0.0385
0.2 dB Chebychev	0.603	0.646	0.941	2.44	0.341	0.204	0.823	0.0347
0.5 dB Chebychev	0.540	0.705	0.932	2.94	0.416	0.209	1.00	0.0290
1.0 dB Chebychev	0.492	0.785	0.925	3.56	0.508	0.206	1.23	0.0242

Specified Values are for a -3 dB point of 1.0 Hz. For other frequencies simply scale capacitors C1 through C4 directly; i.e., for 3 Hz Bessel response, C1 = 0.0387  $\mu\text{F}$ , C2 = 0.0357  $\mu\text{F}$ , C3 = 0.0533  $\mu\text{F}$ , C4 = 0.0205  $\mu\text{F}$ .

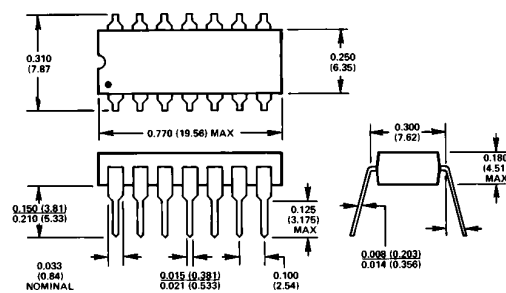
## OUTLINE DIMENSIONS

Dimensions shown in inches and (mm).

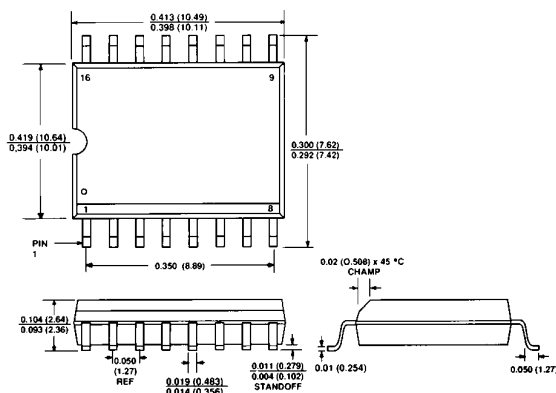
### 14-Pin Cerdip (Q) Package



### 14-Pin Plastic DIP (N) Package



### 16-Pin Plastic SO (R) Package



### 20-Terminal LCCC (E) Package

