

# Packaging for Automatic Handling—Tape & Reel

## General Description

### Tape & Reel

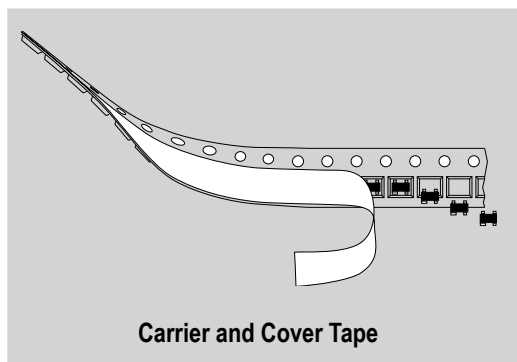
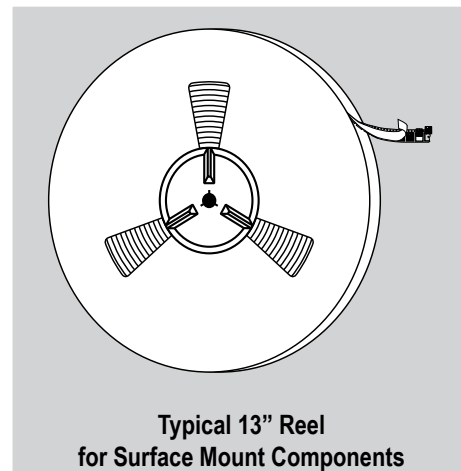
Surface mount and TO-92 devices are available in tape and reel packaging. Surface mount components are retained in an embossed carrier tape by a cover tape. TO-92 device leads are secured to a backing tape by a cover tape. The tape is spooled on standard size reels.

### Tape & Reel Standards

Embossed tape and reel packaging conforms to ANSI/EIA-481-C-2003 with exception of SOT-23, SC-70, TSOT, SOT-143 and SOT-223.

### Pricing

Contact the factory for price adder and availability.



## Packages Available in Tape & Reel<sup>(1)</sup>

Part Number <sup>(2)</sup>	Package Description	HBW (Std.) Qty / Reel	Analog (Std.) Qty / Reel	Ethernet (Std.) Qty / Reel	Reel Diameter (in.)	Carrier Tape Width (mm)	Carrier Tape Pitch (mm)
KSxxxxxx? TR	LFBGA9x9-100	—	—	1,000	13"	16	12
	LFBGA10x10-100	—	—	1,000	13"	24	12
MICxxxxLQ TR KSxxxxxxV TR SYxxxxxxxxxx TR	LQFP-44	—	1,000	—	13"	24	16
	LQFP-48	—	1,000	1,000	13"	16	12
	LQFP-52	1000 or 500	1,000	—	13"	24	16
MICxxxxV TR SYxxxxxxxxxx TR	PLCC-20	750 or 500	1,000	—	13"	16	12
	PLCC-28	750 or 500	750	—	13"	24	16
	PLCC-44	500	500	—	13"	32	24
KSxxxxxxQ TR	PQFP-128	—	—	350	13"	44	24
MICxxxxMME TR MICxxxxMM TR SYxxxxxxxxxx TR	MSOP-EPAD-8	1,000 or 500	2,500	—	13"	12	8
	MSOP-8 (MM8™)	1,000 or 500	2,500	—	13"	12	8
	MSOP-EPAD-10	1,000 or 500	2,500	—	13"	12	8
	MSOP-10	1,000 or 500	2,500	—	13"	12	8

#### Notes:

- Other packages available. Contact factory.
- MICxxxx = base part number. Example: MIC2557BM TR; SYxxxxxxxx = base part number. Example: SY100EP140LZI TR; KSxxxxxx = base part number. Example: KS8721 TR.

## Packages Available in Tape & Reel<sup>(1)</sup>

Part Number <sup>(2)</sup>	Package Description	HBW (Std.) Qty / Reel	Analog (Std.) Qty / Reel	Ethernet (Std.) Qty / Reel	Reel Diameter (in.)	Carrier Tape Width (mm)	Carrier Tape Pitch (mm)
MICxxxxQSE TR	QSOP-EPAD-16	1,000 or 500	2,500	—	13"	12	8
MICxxxxQS TR	QSOP-16	1,000 or 500	2,500	—	13"	12	8
	QSOP-20	1,000 or 500	2,500	—	13"	12	8
MICxxxxC3 TR, TX	SC-70-3	—	3,000	—	7"	8	4
MICxxxxC4 TR	SC-70-4	—	3,000	—	7"	8	4
MICxxxxC5 TR	SC-70-5	—	3,000	—	7"	8	4
MICxxxxC6 TR, TX	SC-70-6	—	3,000	—	7"	8	4
MICxxxxM4 TR	SOT-143	—	3,000	—	7"	8	4
MICxxxxU <sup>(3)</sup>	SOT-143	—	3,000	—	7"	8	4
MICxxxxM3 TR	SOT-23-3	—	3,000	—	7"	8	4
MICxxxxU <sup>(3)</sup>	SOT-23-3	—	3,000	—	7"	8	4
MICxxxxM5 TR, TX	SOT-23-5	—	3,000	—	7"	8	4
MICxxxxU <sup>(3)</sup>	SOT-23-5	—	3,000	—	7"	8	4
MICxxxxM6 TR	SOT-23-6	—	3,000	—	7"	8	4
MICxxxxM8 TR	SOT-23-8	—	3,000	—	7"	8	4
MICxxxxS TR	SOT-223	—	2,500	—	13"	16	12
MICxxxxR TR	S-PAK-03	—	750	—	13"	24	12
	S-PAK-05	—	750	—	13"	24	12
	S-PAK-07	—	750	—	13"	24	12
MICxxxxM TR	SOIC-8	1,000 or 500	2,500	—	13"	12	8
SYxxxxxxxxx TR	SOIC-EPAD-8	—	2,500	—	13"	12	8
	SOIC-14	—	2,500	—	13"	16	8
	SOIC-16	1,000 or 500	2,500	—	13"	16	8
MICxxxxWM TR	SOICW-16	1,000 or 500	1,000	—	13"	16	12
MICxxxxWME TR	SOICW-18	—	1,000	—	13"	24	16
SYxxxxxxxxx TR	SOICW-20	1,000 or 500	1,000	—	13"	24	12
	SOICW-24	1,000 or 500	1,000	—	13"	24	12
	SOICW-28	1,000 or 500	1,000	—	13"	32	16
	SOICW-EPAD-28	1,000 or 500	1,000	—	13"	32	16
MICxxxxSM TR	SSOP-16	—	1,000	—	13"	16	12
	SSOP-20	—	1,000	—	13"	16	12
	SSOP-24	—	1,000	—	13"	16	12
	SSOP-28	—	1,000	—	13"	16	12
KSxxxxxS TR	SSOP-48	—	1,000	1,000	13"	32	16
MICxxxxU TR	TO-263-3	—	750	—	13"	24	16
	TO-263-5	—	750	—	13"	24	16
	TO-263-7	—	750	—	13"	24	16
MICxxxxZ TR	TO-92-3	—	2,000	—	141/4" <sup>(4)</sup>	—	1/2"
SYxxxxxxxxx TR	TQFP-EPAD-32	1000 or 500	—	—	13"	16	12
MICxxxxTQE TR	TQFP-32	1000 or 500	—	—	13"	16	12
KSxxxxxT TR	TQFP-EPAD-48	1000 or 500	—	—	13"	16	12
	TQFP-48	1000 or 500	2,000	1,000	13"	16	12
	TQFP-EPAD-64	1000 or 500	—	—	13"	24	16
MICxxxxD TR, TX	TSOT-5	—	3,000	—	7"	8	4
	TSOT-6	—	3,000	—	13"	8	4

### Notes:

- Other packages available. Contact factory.
- MICxxxx = base part number. Example: MIC2557BM TR; SYxxxxxxxx = base part number. Example: SY100EP140LZI TR; KSxxxxx = base part number. Example: KS8721 TR.
- Former Electronic Technology Corp. voltage supervisors. MICxxxx = base part number + voltage option designator (if needed) + timeout or tolerance designator (if needed). Example: MIC809LU.
- Cardboard reel.

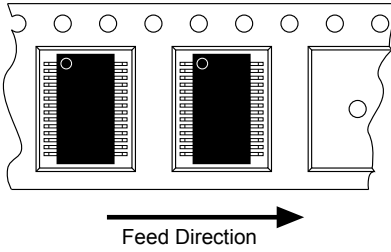
## Packages Available in Tape & Reel<sup>(1)</sup>

Part Number <sup>(2)</sup>	Package Description	HBW (Std.) Qty / Reel	Analog (Std.) Qty / Reel	Ethernet Qty / Reel	Reel Diameter (in.)	Carrier Tape Width (mm)	Carrier Tape Pitch (mm)
MICxxxxTS TR	TSSOP-8	—	2,500	—	13"	12	8
	TSSOP-14	—	2,500	—	13"	12	8
MICxxxxTSE TR SYxxxxxxxxx TR	TSSOP-EPAD-16	—	2,500	—	13"	12	8
	TSSOP-16	1,000 or 500	2,500	—	13"	12	8
	TSSOP-EPAD-20	—	2,500	—	13"	16	8
	TSSOP-20	1,000 or 500	2,500	—	13"	16	8
	TSSOP-EPAD-24	—	2,500	—	13"	16	8
	TSSOP-24	1,000 or 500	2,500	—	13"	16	8
	TSSOP-28	—	2,500	—	13"	16	8
MICxxxxMT TR SYxxxxxxxxx TR	TMLF085085D-04	—	5,000	—	7"	8	2
	TMLF1216D-04	—	5,000	—	13"	8	4
	TMLF1010Q-06	—	5,000	—	7"	8	2
	TMLF1616D-06	—	5,000	—	13"	8	4
	TMLF22D-06	—	5,000	—	13"	8	4
	TMLF22D-08	—	5,000	—	13"	8	4
	TMLF1212Q-08	—	5,000	—	13"	8	4
	TMLF22D-10	—	5,000	—	13"	8	4
	TMLF2525D-10	—	5,000	—	13"	12	4
	TMLF1620Q-12	—	5,000	—	7"	8	4
	TMLF2525D-12	—	5,000	—	13"	12	4
	TMLF33Q-16	—	5,000	—	13"	12	8
MICxxxxML TR <sup>(3)</sup>	HMLF3035D-14	—	5,000	—	13"	12	8
	HMLF33D-12	—	5,000	—	13"	12	8
	HMLF46T-28	—	1,000	—	13"	12	8
MICxxxxML TR <sup>(3)</sup> SYxxxxxxxxx TR KSxxxxxxN TR	MLF1216D-04	—	5,000	—	13"	8	4
	MLF1616D-06	—	5,000	—	13"	8	4
	MLF22D-06	—	5,000	—	13"	8	4
	MLF22D-08	1,000 or 500	5,000	—	13"	8	4
	MLF2525D-10	—	5,000	—	13"	12	4
	MLF2525Q-14	—	5,000	—	13"	12	4
	MLF2528Q-17	—	5,000	—	13"	8	4
	MLF33D-08	—	5,000	—	13"	12	8
	MLF33D-10	—	5,000	—	13"	12	8
	MLF33D-12	—	5,000	—	13"	12	8
	MLF33Q-16	1,000 or 500	5,000	—	13"	12	8
	MLF34Q-20	—	5,000	—	13"	12	8
	MLF44D-08	—	5,000	—	13"	12	8
	MLF44D-12	—	5,000	—	13"	12	8
	MLF44Q-16	—	5,000	—	13"	12	8
	MLF44Q-24	1,000 or 500	5,000	—	13"	12	8
	MLF45D-20	—	1,000	—	7"	12	8
	MLF46D-20	—	1,000	—	7"	12	8
	MLF55Q-32	1,000 or 500	1,000	1,000	7"	12	8
	MLF77Q-44	1,000 or 500	1,000	—	13"	16	12
SYxxxxxxxxx TR	MOD1114Q-16	500	—	—	13"	24	16

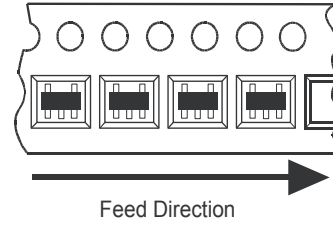
### Notes:

- Other packages available. Contact factory.
- MICxxxx = base part number. Example: MIC2557BM TR; SYxxxxxxxxx = base part number. Example: SY100EP140LZI TR; KSxxxxxx = base part number. Example: KS8721 TR.
- MLFxyz-nn  
x = package body dimensions (mm) in X direction.  
y = package body dimensions (mm) in Y direction.  
z = Q or D (Quad or Dual—leads on 4 or 2 sides of the package).  
nn = # of leads.

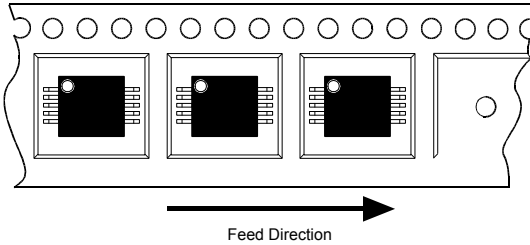
# Package Orientation



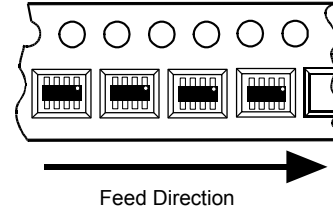
Typical SOIC, WSOIC, SOP, SSOP, TSSOP,  
EPAD-TSSOP, QSOP, EPAD-QSOP (All Lead Counts)



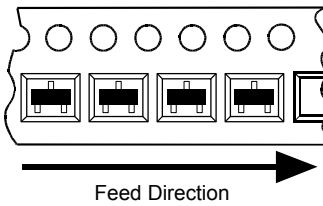
Typical SOT-23-5, TSOT-5, SC-70-5 <sup>(1)</sup>  
(TX)



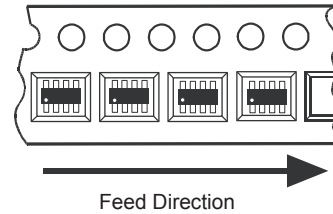
Typical MSOP-8, EPAD-MSOP-8, MSOP-10,  
EPAD-MSOP-10



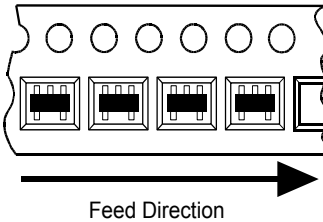
Typical SOT-23-6, TSOT-6, SC-70-6, SOT-23-8 <sup>(1)</sup>  
(TR)



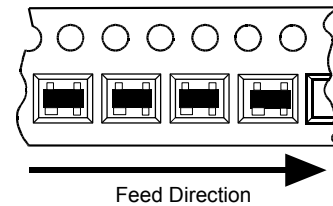
Typical SOT-23-3 and SC-70-3 <sup>(1)</sup>



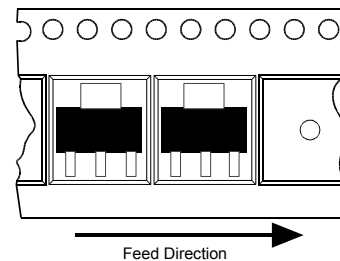
Typical SOT-23-6, SC-70-6, SOT-23-8 <sup>(1)</sup>  
(TX)



Typical SOT-23-5, TSOT-5, SC-70-5  
(TR)



Typical SOT-143 <sup>(1)</sup>

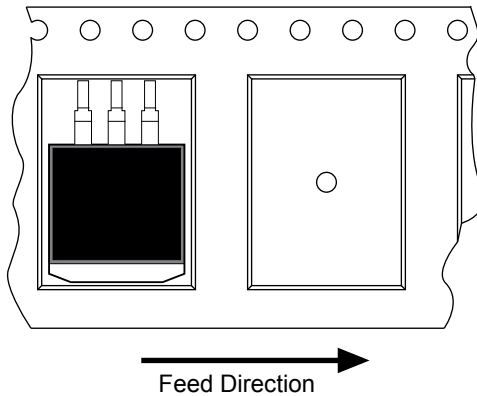


Typical SOT-223 <sup>(1)</sup>

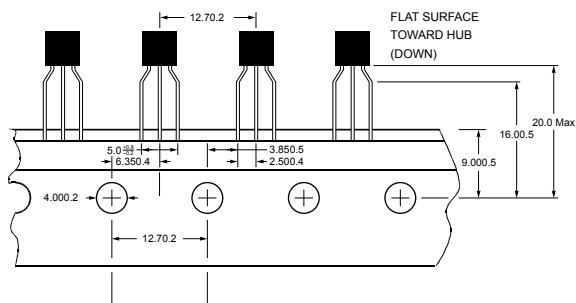
**Note:**

1. Orientation of device in carrier tape pocket does not conform to ANSI/EIA-481-C-2003.

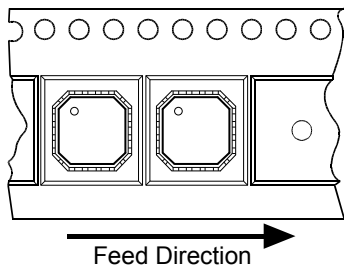
# Package Orientation



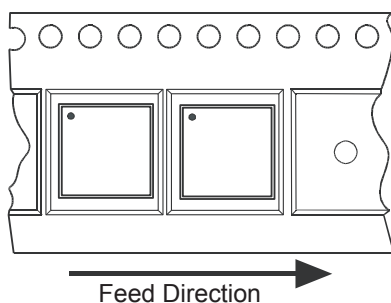
Typical TO-263, S-PAK



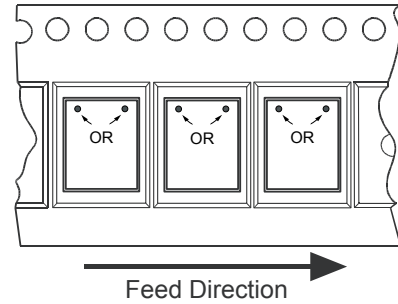
Typical TO-92-3



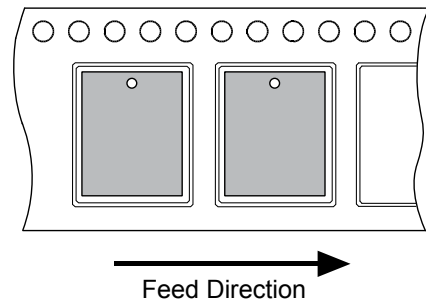
Typical MLF<sup>®</sup> (punched)



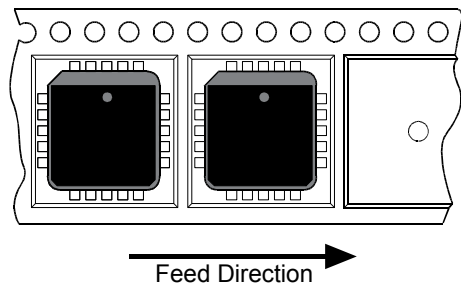
Typical MLF<sup>®</sup>, HMLF, TMLF (sawn)



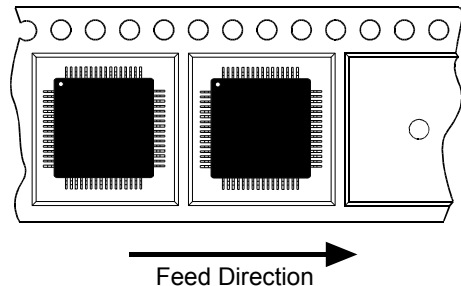
Rectangular MLF<sup>®</sup>, HMLF, TMLF (sawn)



Rectangular Module Package



Typical PLCC



Typical TQFP, EPAD-TQFP, LQFP

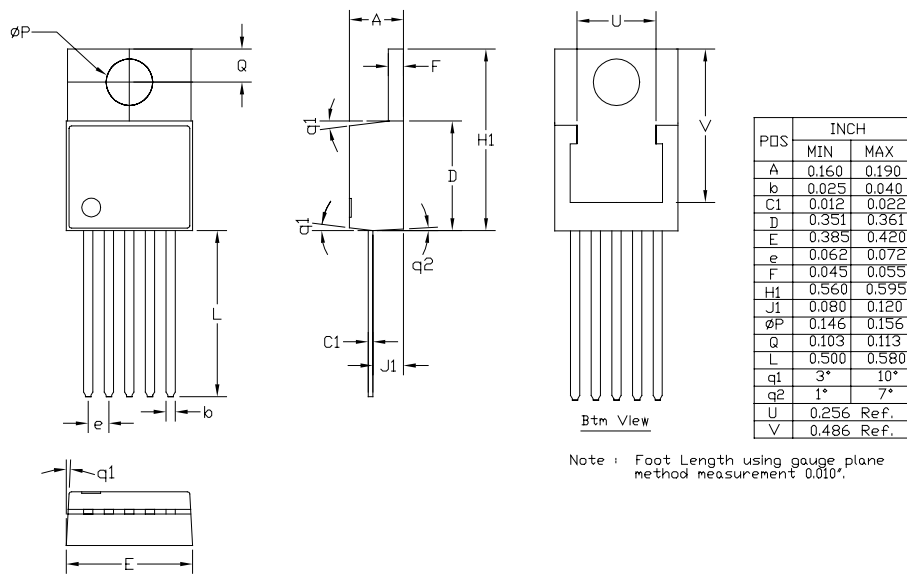
# Lead Bend Options—5-Lead TO-220 Package

Part Number	Package	Replaces National Semi.
MICxxxxxyT-L2	5-lead TO-220	TA05B (-LB02), T05C <sup>(1)</sup>
MICxxxxxyT-L3	5-lead TO-220	T05D (-LB-03), T05B <sup>(1)</sup>

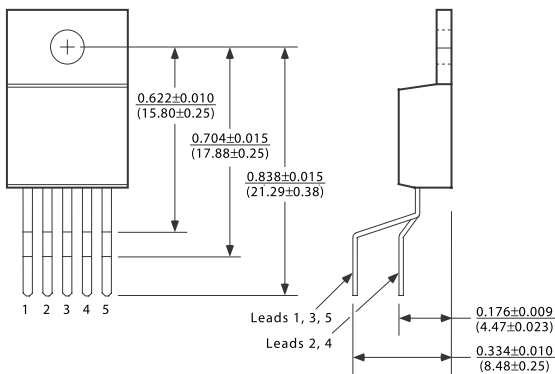
**Note:**

1. Leads not trimmed after bending.

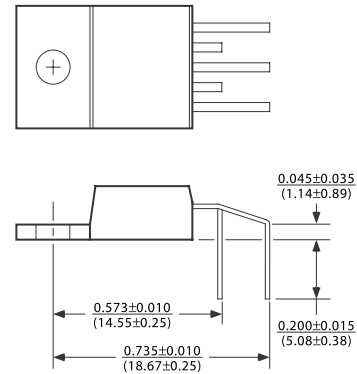
**1000-piece minimum order.**  
**Contact factory for price adder and availability.**



## 5-lead TO-220 Basic Dimensions



**TO-220 Vertical Lead Bend Option (L3)**



**TO-220 Horizontal Lead Bend Option (L2)**

# Die Distribution

---

Micrel die is distributed by:

## ***WORLDWIDE — DIE DISTRIBUTION ONLY***

### **ES Components, Inc.**

108 Pratts Junction Rd.

Sterling, MA 01564

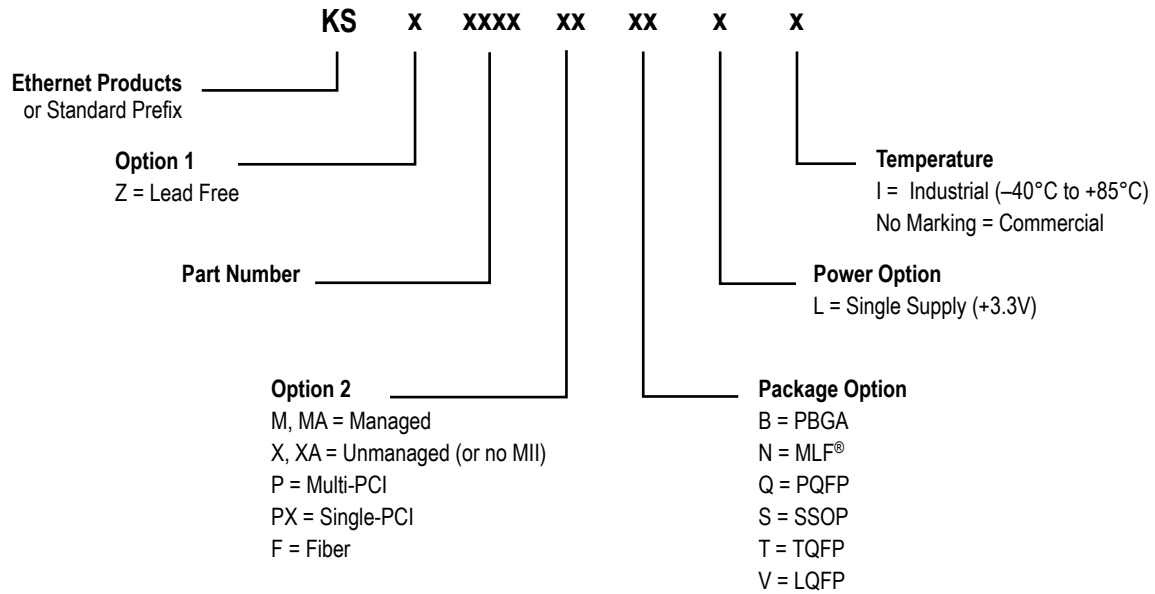
USA

Tel: + 1 (978) 422-7641

Fax: + 1 (978) 422-0011

# Ethernet Part Identification

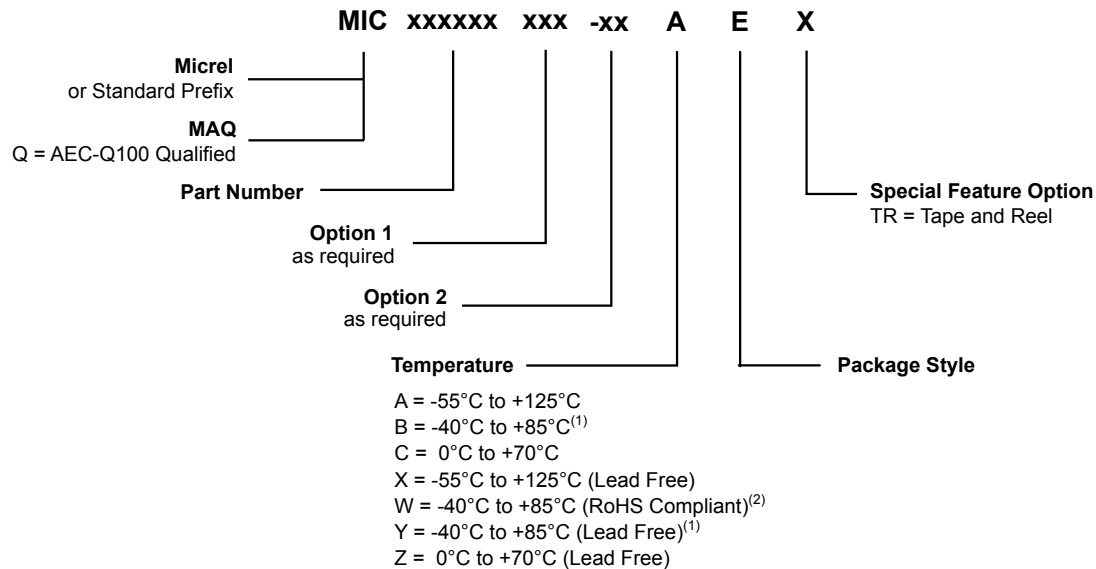
---





# Analog Part Identification

## Micrel Analog Standard

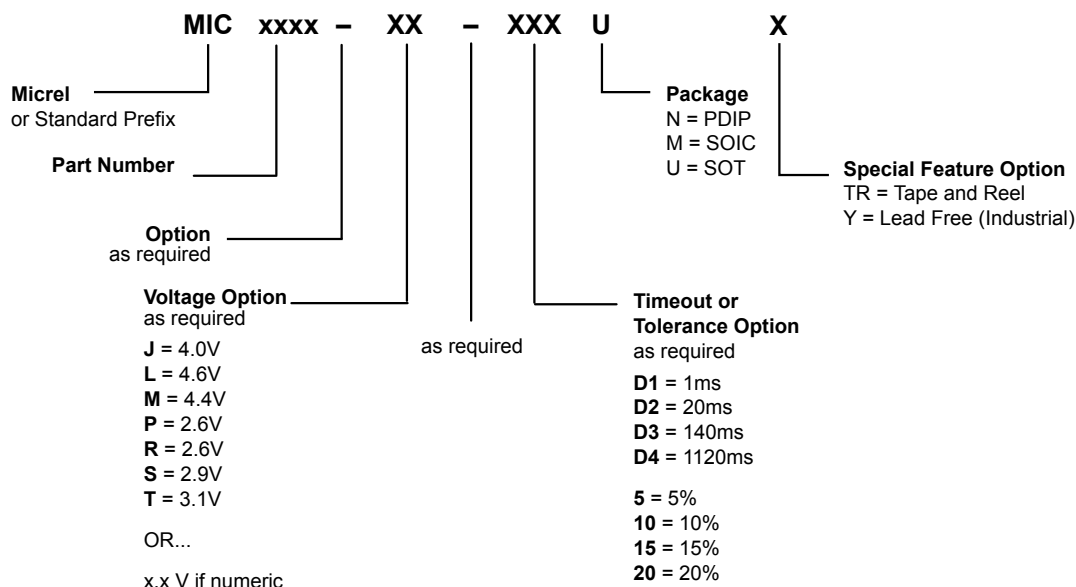


### Notes:

- Typically, industrial grade power products rate the junction temperature up to +125°C. Varies from device-to-device. Refer to the datasheet.
- Applicable to TO-220, TO-247, TO-263, SOT-223, SPAK packages using 85% lead plus lead alloy die attach material. Refer to the datasheet.

<b>C3</b> = SC70-3	<b>M</b> = 150 mil SOIC	<b>M6</b> = SOT-23-6	<b>TS</b> = TSSOP
<b>C4</b> = SC70-4	<b>ME</b> = 150 mil EPAD-SOIC	<b>M8</b> = SOT-23-8	<b>TSE</b> = EPAD-TSSOP
<b>C5</b> = SC70-5	<b>ML</b> = MLF®	<b>N</b> = Plastic DIP	<b>TQ</b> = TQFP
<b>C6</b> = SC70-6	<b>MM</b> = MSOP	<b>QS</b> = QSOP	<b>TQE</b> = EPAD-TQFP
<b>D</b> = TO-252	<b>MME</b> = EPAD-MSOP	<b>QSE</b> = EPAD-QSOP	<b>U</b> = TO-263
<b>D5</b> = Thin SOT	<b>MT</b> = Thin MLF®	<b>R</b> = SPAK	<b>V</b> = PLCC
<b>FL</b> = MLF®	<b>M3</b> = SOT-23-3	<b>S</b> = SOT-223	<b>WM</b> = 300 mil Wide SOIC
<b>HL</b> = Hybrid MLF®	<b>M4</b> = SOT-143	<b>SM</b> = SSOP	<b>WME</b> = 300 mil Wide EPAD-SOIC
<b>J</b> = Ceramic DIP	<b>M5</b> = SOT-23-5	<b>T</b> = TO-220	<b>WT</b> = TO-247
<b>LQ</b> = LQFP (Low Profile QFP)			

## Industry Standard Voltage Supervisors



# Analog Marking Information

## Teeny™, IttyBitty®, and TinyFET® Part Identification

Teeny™ SC-70, IttyBitty®, TinyFET®, and other SOT-143, or SOT-23 packaged devices use abbreviated markings for identification because of their small size.

Mark	Part Number	Description	Note
A11	MIC6211BM5	IttyBitty® Op Amp	
A12	LMC7101BIM5	Low-Power Operational Amplifier	
A12A	LMC7101AIM5	[Improved Precision] Low-Power Op Amp	
A13	MIC7111BM5	2.4V IttyBitty® Rail-to-Rail Input/Output Op Amp	
A14	MIC7211BM5	IttyBitty® Rail-to-Rail Input Comparator	Push-pull output
A15	MIC7221BM5	IttyBitty® Rail-to-Rail Input Comparator	Open-drain output
A16	MIC7201BM5	GainBlock™ Difference Amplifier	
A17	MIC7300BM5	High-Output Drive Rail-to-Rail Op Amp	
A21	MIC910BM5	135MHz Low-Power SOT-23-5 Op Amp	
A22	MIC911BM5	105MHz Low-Power SOT-23-5 Op Amp	
A23	MIC912BM5	200MHz Low-Power SOT-23-5 Op Amp	
A24	MIC913BM5	350MHz Low-Power SOT-23-5 Op Amp	
A26	MIC914BM5	160MHz Low-Power SOT-23-5 Op Amp	
A30	MIC918BC5	51MHz Low-Power SOT-23-5/SC-70 Op Amp	
A31	MIC919BC5	27MHz Low-Power SOT-23-5/SC-70 Op Amp	
A32	MIC860BC5	Teeny™ Ultra Low-Power Op Amp	
A33	MIC861BC5	Teeny™ Ultra Low-Power Op Amp	
A34	MIC862BM8	Dual Ultra Low-Power Op Amp SOT-23-8	
A35	MIC863BM8	Dual Ultra Low-Power Op Amp SOT-23-8	
A37	MIC920BC5	80MHz Low-Power SC-70 Op Amp	
A38	MIC921BC5	45MHz Low-Power SC-70 Op Amp	
A39	MIC922BC5	230MHz Low-Power SC-70 Op Amp	
A40	MIC923BC5	410MHz Low-Power SC-70 Op Amp	
A51	MIC6251BM5	IttyBitty® Instrumentation Amplifier	+2, +1, -1 gain amp.
A52	MIC6252BM5	IttyBitty® Instrumentation Amplifier	+0.5, +1 gain amp., avg. value amp.
B10	MIC6270BM5	IttyBitty® Comparator	
B11	MIC833BM5	Latched Comparator with Reference	
B12	MIC834BM5	Comparator with Reference	
B13	MIC841HBC5	Comparator with Reference in SC70-5	
B14	MIC841LBC5	Comparator with Reference in SC70-5	
B15	MIC841NBC5	Comparator with Reference in SC70-5	
B16	MIC842HBC5	Comparator with Reference in SC70-5	
B17	MIC842LBC5	Comparator with Reference in SC70-5	
B18	MIC842NBC5	Comparator with Reference in SC70-5	
C10	MIC2660BM5	IttyBitty® Charge Pump	
D10	MIC4416BM4	IttyBitty® Low-Side MOSFET Driver	Non-inverting
D11	MIC4417BM4	IttyBitty® Low-Side MOSFET Driver	Inverting
ML10	MIC4416BM4	IttyBitty® Low-Side MOSFET Driver	
F10	MIC2514BM5	IttyBitty® Integrated High-Side Switch	
H10	MIC5018BM4	IttyBitty® High-Side MOSFET Driver	Non-inverting
MH10	MIC5018BM4	IttyBitty® High-Side MOSFET Driver	
IJ	ETC/MIC809JU	Microprocessor Reset Circuit	4.00V
IL	ETC/MIC809LU...	Microprocessor Reset Circuit	4.63V
IM	ETC/MIC809MU...	Microprocessor Reset Circuit	4.38V
IR	ETC/MIC809RU...	Microprocessor Reset Circuit	2.63V
IS	ETC/MIC809SU...	Microprocessor Reset Circuit	2.93V
IT	ETC/MIC809TU...	Microprocessor Reset Circuit	3.08V
JJ	ETC/MIC810JU...	Microprocessor Reset Circuit	
JL	ETC/MIC810LU...	Microprocessor Reset Circuit	4.63V
JM	ETC/MIC810MU...	Microprocessor Reset Circuit	4.38V
JR	ETC/MIC810RU...	Microprocessor Reset Circuit	2.63V
JS	ETC/MIC810SU...	Microprocessor Reset Circuit	2.93V
JT	ETC/MIC810TU...	Microprocessor Reset Circuit	3.08V
KJ	ETC/MIC811JU	Microprocessor Reset Circuit	4.00V
KL	ETC/MIC811LU...	Microprocessor Reset Circuit	4.63V
KM	ETC/MIC811MU...	Microprocessor Reset Circuit	4.38V
KR	ETC/MIC811RU...	Microprocessor Reset Circuit	2.63V
KS	ETC/MIC811SU...	Microprocessor Reset Circuit	2.93V
KS	MIC811SUUY	Microprocessor Reset Circuit	
KT	ETC/MIC811TU...	Microprocessor Reset Circuit	3.08V

# Analog Marking Information

Mark	Part Number	Description	Note
LAN	MIC5213-1.8BC5	Teeny™ SC-70 $\mu$ Cap LDO Regulator	
LAM	MIC5213-2.5BC5	Teeny™ SC-70 $\mu$ Cap LDO Regulator	
LAQ	MIC5213-2.6BC5	Teeny™ SC-70 $\mu$ Cap LDO Regulator	
LAL	MIC5213-2.7BC5	Teeny™ SC-70 $\mu$ Cap LDO Regulator	
LAJ	MIC5213-2.8BC5	Teeny™ SC-70 $\mu$ Cap LDO Regulator	
LAG	MIC5213-3.0BC5	Teeny™ SC-70 $\mu$ Cap LDO Regulator	
LAE	MIC5213-3.3BC5	Teeny™ SC-70 $\mu$ Cap LDO Regulator	
LAD	MIC5213-3.6BC5	Teeny™ SC-70 $\mu$ Cap LDO Regulator	
LAB	MIC5213-5.0BC5	Teeny™ SC-70 $\mu$ Cap LDO Regulator	
LA28	MIC5203-2.8BM4	80mA Low-Dropout Regulator (SOT-143)	Fixed output (also see LK)
LA30	MIC5203-3.0BM4	80mA Low-Dropout Regulator (SOT-143)	Fixed output
LA33	MIC5203-3.3BM4	80mA Low-Dropout Regulator (SOT-143)	Fixed output
LA36	MIC5203-3.6BM4	80mA Low-Dropout Regulator (SOT-143)	Fixed output
LA38	MIC5203-3.8CM4	80mA Low-Dropout Regulator (SOT-143)	Fixed output
LA40	MIC5203-4.0BM4	80mA Low-Dropout Regulator (SOT-143)	Fixed output
LA45	MIC5203-4.5BM4	80mA Low-Dropout Regulator (SOT-143)	Fixed output
LA47	MIC5203-4.7BM4	80mA Low-Dropout Regulator (SOT-143)	Fixed output
LA50	MIC5203-5.0BM4	80mA Low-Dropout Regulator (SOT-143)	Fixed output
LBAA	MIC5205BM5	150mA Low-Dropout Regulator	Adjustable output
KBAA	MIC5205YM5	150mA Low-Dropout Regulator	Fixed output
LB38	MIC5205-3.8BM5	150mA Low-Dropout Regulator	Fixed output
LB40	MIC5205-4.0BM5	150mA Low-Dropout Regulator	Fixed output
LB25	MIC5205-2.5BM5	150mA Low-Dropout Regulator	Fixed output
KB25	MIC5205-2.5YM5	150mA Low-Dropout Regulator	Fixed output
LB27	MIC5205-2.7BM5	150mA Low-Dropout Regulator	Fixed output
LB2J	MIC5205-2.85BM5	150mA Low-Dropout Regulator	Fixed output
LB28	MIC5205-2.8BM5	150mA Low-Dropout Regulator	Fixed output
LB29	MIC5205-2.9BM5	150mA Low-Dropout Regulator	Fixed output
LB30	MIC5205-3.0BM5	150mA Low-Dropout Regulator	Fixed output
LB31	MIC5205-3.1BM5	150mA Low-Dropout Regulator	Fixed output
LB32	MIC5205-3.2BM5	150mA Low-Dropout Regulator	Fixed output
LB33	MIC5205-3.3BM5	150mA Low-Dropout Regulator	Fixed output
LB36	MIC5205-3.6BM5	150mA Low-Dropout Regulator	Fixed output
LB38	MIC5205-3.8BM5	150mA Low-Dropout Regulator	Fixed output
LB40	MIC5205-4.0BM5	150mA Low-Dropout Regulator	Fixed output
LB48	MIC5205-4.8BM5	150mA Low-Dropout Regulator	Fixed output
LB50	MIC5205-4.0BM5	150mA Low-Dropout Regulator	Fixed output
LDAA	MIC5206BM5	150mA Low-Noise LDO Regulator	Adjustable output
LD25	MIC5206-2.5BM5	150mA Low-Noise LDO Regulator	Fixed output
LD27	MIC5206-2.7BM5	150mA Low-Noise LDO Regulator	Fixed output
LD2J	MIC5206-2.85BM5	150mA Low-Noise LDO Regulator	Fixed output
LD29	MIC5206-2.9BM5	150mA Low-Noise LDO Regulator	Fixed output
LD30	MIC5206-3.0BM5	150mA Low-Noise LDO Regulator	Fixed output
LD32	MIC5206-3.2BM5	150mA Low-Noise LDO Regulator	Fixed output
LD33	MIC5206-3.3BM5	150mA Low-Noise LDO Regulator	Fixed output
LD34	MIC5206-3.4BM5	150mA Low-Noise LDO Regulator	Fixed output
LD36	MIC5206-3.6BM5	150mA Low-Noise LDO Regulator	Fixed output
LD38	MIC5206-3.8BM5	150mA Low-Noise LDO Regulator	Fixed output
LD40	MIC5206-4.0BM5	150mA Low-Noise LDO Regulator	Fixed output
LD41	MIC5206-4.15BM5	150mA Low-Noise LDO Regulator	Fixed output
LD50	MIC5206-5.0BM5	150mA Low-Noise LDO Regulator	Fixed output
LEAA	MIC5207BM5	180mA Low-Noise LDO Regulator	Adjustable output
LE13	MIC5207-1.3BM5	180mA Low-Noise LDO Regulator	Fixed output
LE18	MIC5207-1.8BM5	180mA Low-Noise LDO Regulator	Fixed output
LE25	MIC5207-2.5BM5	180mA Low-Noise LDO Regulator	Fixed output
LE28	MIC5207-2.8BM5	180mA Low-Noise LDO Regulator	Fixed output
LE29	MIC5207-2.9BM5	180mA Low-Noise LDO Regulator	Fixed output
LE30	MIC5207-3.0BM5	180mA Low-Noise LDO Regulator	Fixed output
LE31	MIC5207-3.1BM5	180mA Low-Noise LDO Regulator	Fixed output
LE32	MIC5207-3.2BM5	180mA Low-Noise LDO Regulator	Fixed output
LE33	MIC5207-3.3BM5	180mA Low-Noise LDO Regulator	Fixed output
LE36	MIC5207-3.6BM5	180mA Low-Noise LDO Regulator	Fixed output
LE38	MIC5207-3.8BM5	180mA Low-Noise LDO Regulator	Fixed output
LE40	MIC5207-4.0BM5	180mA Low-Noise LDO Regulator	Fixed output
LE50	MIC5207-5.0BM5	180mA Low-Noise LDO Regulator	Fixed output
NE18	MIC5207-1.8BD5	180mA Low-Noise LDO Regulator	Fixed output

# Analog Marking Information

Mark	Part Number	Description	Note
LFBB	MIC5211-1.8BM6	Dual 50mA LDO Voltage Regulator	Fixed output, special code
LFCC	MIC5211-2.5BM6	Dual 50mA LDO Voltage Regulator	Fixed output
LFDD	MIC5211-2.7BM6	Dual 50mA LDO Voltage Regulator	Fixed output
LFEE	MIC5211-2.8BM6	Dual 50mA LDO Voltage Regulator	Fixed output
LFGG	MIC5211-3.0BM6	Dual 50mA LDO Voltage Regulator	Fixed output
LFLL	MIC5211-3.3BM6	Dual 50mA LDO Voltage Regulator	Fixed output
LFQQ	MIC5211-3.6BM6	Dual 50mA LDO Voltage Regulator	Fixed output
LFXX	MIC5211-5.0BM5	Dual 50mA LDO Voltage Regulator	Fixed output
LFBC	MIC5211-1.8/2.5BM6	Dual 50mA LDO Voltage Regulator	Fixed output
LFBL	MIC5211-1.8/3.3BM6	Dual 50mA LDO Voltage Regulator	Fixed output
LFCL	MIC5211-2.5/3.3BM6	Dual 50mA LDO Voltage Regulator	Fixed output
LFLX	MIC5211-3.3/5.0BM6	Dual 50mA LDO Voltage Regulator	Fixed output
LGAA	MIC5219BM5	500mA-Peak Output LDO Regulator	Adjustable output
LG25	MIC5219-2.5BM5	500mA-Peak Output LDO Regulator	Fixed output
LG18	MIC5219-1.8BM5	500mA-Peak Output LDO Regulator	Fixed output
LG30	MIC5219-3.0BM5	500mA-Peak Output LDO Regulator	Fixed output
LG31	MIC5219-3.0BM5	500mA-Peak Output LDO Regulator	Fixed output
LG33	MIC5219-3.3BM5	500mA-Peak Output LDO Regulator	Fixed output
LG36	MIC5219-3.6BM5	500mA-Peak Output LDO Regulator	Fixed output
LG50	MIC5219-5.0BM5	500mA-Peak Output LDO Regulator	Fixed output
LG26	MIC5219-2.6BM5	500mA-Peak Output LDO Regulator	Fixed output
LG27	MIC5219-2.7BM5	500mA-Peak Output LDO Regulator	Fixed output
LG2J	MIC5219-2.85BM5	500mA-Peak Output LDO Regulator	Fixed output
LG28	MIC5219-2.8BM5	500mA-Peak Output LDO Regulator	Fixed output
LG29	MIC5219-2.9BM5	500mA-Peak Output LDO Regulator	Fixed output
LHAA	MIC5216BM5	500mA-Peak Output LDO Regulator	Adjustable output
LH25	MIC5216-2.5BM5	500mA-Peak Output LDO Regulator	Fixed output
LH30	MIC5216-3.0BM5	500mA-Peak Output LDO Regulator	Fixed output
LH33	MIC5216-3.3BM5	500mA-Peak Output LDO Regulator	Fixed output
LH36	MIC5216-3.6BM5	500mA-Peak Output LDO Regulator	Fixed output
LH38	MIC5216-3.8BM5	500mA-Peak Output LDO Regulator	Fixed output
LH40	MIC5216-4.0BM5	500mA-Peak Output LDO Regulator	Fixed output
LH50	MIC5216-5.0BM5	500mA-Peak Output LDO Regulator	Fixed output
LK26	MIC5203-2.6BM5	80mA Low-Dropout Regulator (SOT-23-5)	Fixed output (also see LA)
LK28	MIC5203-2.8BM5	80mA Low-Dropout Regulator (SOT-23-5)	Fixed output
LK30	MIC5203-3.0BM5	80mA Low-Dropout Regulator (SOT-23-5)	Fixed output
LK33	MIC5203-3.3BM5	80mA Low-Dropout Regulator (SOT-23-5)	Fixed output
LK36	MIC5203-3.6BM5	80mA Low-Dropout Regulator (SOT-23-5)	Fixed output
LK38	MIC5203-3.8BM5	80mA Low-Dropout Regulator (SOT-23-5)	Fixed output
LK40	MIC5203-4.0BM5	80mA Low-Dropout Regulator (SOT-23-5)	Fixed output
LK45	MIC5203-4.5BM5	80mA Low-Dropout Regulator (SOT-23-5)	Fixed output
LK47	MIC5203-4.7BM5	80mA Low-Dropout Regulator (SOT-23-5)	Fixed output
LK50	MIC5203-5.0BM5	80mA Low-Dropout Regulator (SOT-23-5)	Fixed output
LLAA	MIC5270BM5	IttyBitty® Negative Low-Dropout Regulator	Adjustable output
LL30	MIC5270-3.0BM5	IttyBitty® Negative Low-Dropout Regulator	Fixed output
LL41	MIC5270-4.1BM5	IttyBitty® Negative Low-Dropout Regulator	Fixed output
LL50	MIC5270-5.0BM5	IttyBitty® Negative Low-Dropout Regulator	Fixed output
LM2H	MIC5231-2.75BM5	Micropower µCap LDO Regulator	Fixed output
LM30	MIC5231-3.0BM5	Micropower µCap LDO Regulator	Fixed output
LM33	MIC5231-3.3BM5	Micropower µCap LDO Regulator	Fixed output
LM50	MIC5231-5.0BM5	Micropower µCap LDO Regulator	Fixed output
LN12	MIC5258-1.2BM5	150mA µCap CMOS LDO Regulator w/Power Good	Fixed output
KN12	MIC5258-1.2YM5	150mA µCap CMOS LDO Regulator w/Power Good	Fixed output
LS20	MIC5245-2.0BM5	150mA IttyBitty® CMS LDO Regulator	Fixed output
LS21	MIC5245-2.1BM5	150mA IttyBitty® CMS LDO Regulator	Fixed output
LS22	MIC5245-2.2BM5	150mA IttyBitty® CMS LDO Regulator	Fixed output
LS23	MIC5245-2.3BM5	150mA IttyBitty® CMS LDO Regulator	Fixed output
LS25	MIC5245-2.5BM5	150mA IttyBitty® CMS LDO Regulator	Fixed output
LS26	MIC5245-2.6BM5	150mA IttyBitty® CMS LDO Regulator	Fixed output
LS27	MIC5245-2.7BM5	150mA IttyBitty® CMS LDO Regulator	Fixed output
LS28	MIC5245-2.8BM5	150mA IttyBitty® CMS LDO Regulator	Fixed output
LS2J	MIC5245-2.85BM5	150mA IttyBitty® CMS LDO Regulator	Fixed output
LS30	MIC5245-3.0BM5	150mA IttyBitty® CMS LDO Regulator	Fixed output
LS31	MIC5245-3.1BM5	150mA IttyBitty® CMS LDO Regulator	Fixed output
LS32	MIC5245-3.2BM5	150mA IttyBitty® CMS LDO Regulator	Fixed output
LS33	MIC5245-3.3BM5	150mA IttyBitty® CMS LDO Regulator	Fixed output
LS35	MIC5245-3.5BM5	150mA IttyBitty® CMS LDO Regulator	Fixed output
LS50	MIC5245-5.0BM5	150mA IttyBitty® CMS LDO Regulator	Fixed output

# Analog Marking Information

Mark	Part Number	Description	Note
LT15	MIC5246-1.5BM5	150mA $\mu$ Cap CMOS LDO Regulator	Fixed output
LT21	MIC5246-2.1BM5	150mA $\mu$ Cap CMOS LDO Regulator	Fixed output
LT25	MIC5246-2.5BM5	150mA $\mu$ Cap CMOS LDO Regulator	Fixed output
LT26	MIC5246-2.6BM5	150mA $\mu$ Cap CMOS LDO Regulator	Fixed output
LT27	MIC5246-2.7BM5	150mA $\mu$ Cap CMOS LDO Regulator	Fixed output
LT2J	MIC5246-2.85BM5	150mA $\mu$ Cap CMOS LDO Regulator	Fixed output
LT28	MIC5246-2.85BM5	150mA $\mu$ Cap CMOS LDO Regulator	Fixed output
LT30	MIC5246-3.0BM5	150mA $\mu$ Cap CMOS LDO Regulator	Fixed output
LT31	MIC5246-3.1BM5	150mA $\mu$ Cap CMOS LDO Regulator	Fixed output
LT33	MIC5246-3.3BM5	150mA $\mu$ Cap CMOS LDO Regulator	Fixed output
LU15	MIC5247-1.5BM5	150mA Low-Voltage $\mu$ Cap Linear Regulator	Fixed output
LU16	MIC5247-1.6BM5	150mA Low-Voltage $\mu$ Cap Linear Regulator	Fixed output
LU1J	MIC5247-1.85BM5	150mA Low-Voltage $\mu$ Cap Linear Regulator	Fixed output
LU18	MIC5247-1.8BM5	150mA Low-Voltage $\mu$ Cap Linear Regulator	Fixed output
LU20	MIC5247-2.0BM5	150mA Low-Voltage $\mu$ Cap Linear Regulator	Fixed output
LU21	MIC5247-2.1BM5	150mA Low-Voltage $\mu$ Cap Linear Regulator	Fixed output
LU22	MIC5247-2.2BM5	150mA Low-Voltage $\mu$ Cap Linear Regulator	Fixed output
LU24	MIC5247-2.4BM5	150mA Low-Voltage $\mu$ Cap Linear Regulator	Fixed output
NU18	MIC5247-1.8BD5	150mA Low-Voltage $\mu$ Cap Linear Regulator	Fixed output
NU20	MIC5247-2.0BD5	150mA Low-Voltage $\mu$ Cap Linear Regulator	Fixed output
LV12	MIC5248-1.2BM5	150mA $\mu$ Cap CMOS LDO Regulator with Power Good	Fixed output
KV12	MIC5248-1.2YM5	150mA $\mu$ Cap CMOS LDO Regulator with Power Good	Fixed output
NW25	MIC5255-2.5BD5	150mA Low Noise $\mu$ Cap CMOS LDO	Fixed output
NW25	MIC5255-2.5YDS	150mA Low Noise $\mu$ Cap CMOS LDO	Fixed output
LW25	MIC5255-2.5BM5	150mA Low Noise $\mu$ Cap CMOS LDO	Fixed output
KW25	MIC5255-2.5YM5	150mA Low Noise $\mu$ Cap CMOS LDO	Fixed output
NW26	MIC5255-2.6BM5	150mA Low Noise $\mu$ Cap CMOS LDO	Fixed output
LW26	MIC5255-2.6BM5	150mA Low Noise $\mu$ Cap CMOS LDO	Fixed output
LW2H	MIC5255-2.75BM5	150mA Low Noise $\mu$ Cap CMOS LDO	Fixed output
NW27	MIC5255-2.7BD5	150mA Low Noise $\mu$ Cap CMOS LDO	Fixed output
LW27	MIC5255-2.7BM5	150mA Low Noise $\mu$ Cap CMOS LDO	Fixed output
NW2J	MIC5255-2.85BD5	150mA Low Noise $\mu$ Cap CMOS LDO	Fixed output
LW2J	MIC5255-2.85BM5	150mA Low Noise $\mu$ Cap CMOS LDO	Fixed output
NW28	MIC5255-2.8BD5	150mA Low Noise $\mu$ Cap CMOS LDO	Fixed output
LW28	MIC5255-2.8BM5	150mA Low Noise $\mu$ Cap CMOS LDO	Fixed output
NW29	MIC5255-2.9BD5	150mA Low Noise $\mu$ Cap CMOS LDO	Fixed output
LW29	MIC5255-2.9BM5	150mA Low Noise $\mu$ Cap CMOS LDO	Fixed output
NW30	MIC5255-3.0BD5	150mA Low Noise $\mu$ Cap CMOS LDO	Fixed output
LW30	MIC5255-3.0BM5	150mA Low Noise $\mu$ Cap CMOS LDO	Fixed output
LW31	MIC5255-3.1BM5	150mA Low Noise $\mu$ Cap CMOS LDO	Fixed output
LW32	MIC5255-3.2BM5	150mA Low Noise $\mu$ Cap CMOS LDO	Fixed output
NW33	MIC5255-3.3BD5	150mA Low Noise $\mu$ Cap CMOS LDO	Fixed output
LW33	MIC5255-3.3BM5	150mA Low Noise $\mu$ Cap CMOS LDO	Fixed output
LX26	MIC5256-2.6BM5	150mA $\mu$ Cap LDO with Error Flag	Fixed output
LX27	MIC5256-2.7BM5	150mA $\mu$ Cap LDO with Error Flag	Fixed output
LX28	MIC5256-2.8BM5	150mA $\mu$ Cap LDO with Error Flag	Fixed output
LX2J	MIC5256-2.85BM5	150mA $\mu$ Cap LDO with Error Flag	Fixed output
LX29	MIC5256-2.9BM5	150mA $\mu$ Cap LDO with Error Flag	Fixed output
LX30	MIC5256-3.0BM5	150mA $\mu$ Cap LDO with Error Flag	Fixed output
LX31	MIC5256-3.1BM5	150mA $\mu$ Cap LDO with Error Flag	Fixed output
LX33	MIC5256-3.3BM5	150mA $\mu$ Cap LDO with Error Flag	Fixed output
NX2J	MIC5256-2.85BD5	150mA $\mu$ Cap LDO with Error Flag	Fixed output
LZxx	MIC5159-x.xBM6	Programmable Current-Limit $\mu$ Cap LDO Regulator Controller	Fixed output
LZAA	MIC5159-BM6	Programmable Current-Limit $\mu$ Cap LDO Regulator Controller	Adjustable output
L2AA	MIC5235-BM5	Ultra-Low Quiescent Current, 150mA $\mu$ Cap LDO Regulator	Adjustable output
L215	MIC5235-1.5BM5	Ultra-Low Quiescent Current, 150mA $\mu$ Cap LDO Regulator	Fixed output
L218	MIC5235-1.8BM5	Ultra-Low Quiescent Current, 150mA $\mu$ Cap LDO Regulator	Fixed output
L225	MIC5235-2.5BM5	Ultra-Low Quiescent Current, 150mA $\mu$ Cap LDO Regulator	Fixed output
L227	MIC5235-2.7BM5	Ultra-Low Quiescent Current, 150mA $\mu$ Cap LDO Regulator	Fixed output
L230	MIC5235-3.0BM5	Ultra-Low Quiescent Current, 150mA $\mu$ Cap LDO Regulator	Fixed output
L233	MIC5235-3.3BM5	Ultra-Low Quiescent Current, 150mA $\mu$ Cap LDO Regulator	Fixed output
L250	MIC5235-5.0BM5	Ultra-Low Quiescent Current, 150mA $\mu$ Cap LDO Regulator	Fixed output
L3AA	MIC5233-BM5	High Input Voltage, Low $I_Q$ $\mu$ Cap LDO Regulator	Adjustable output
L318	MIC5233-1.8BM5	High Input Voltage, Low $I_Q$ $\mu$ Cap LDO Regulator	Fixed output
L325	MIC5233-2.5BM5	High Input Voltage, Low $I_Q$ $\mu$ Cap LDO Regulator	Fixed output
L318	MIC5233-1.8BM5	High Input Voltage, Low $I_Q$ $\mu$ Cap LDO Regulator	Fixed output
L330	MIC5233-3.0BM5	High Input Voltage, Low $I_Q$ $\mu$ Cap LDO Regulator	Fixed output
L333	MIC5233-3.3BM5	High Input Voltage, Low $I_Q$ $\mu$ Cap LDO Regulator	Fixed output
L350	MIC5233-5.0BM5	High Input Voltage, Low $I_Q$ $\mu$ Cap LDO Regulator	Fixed output

# Analog Marking Information

Mark	Part Number	Description	Note
L409	MIC5238-0.9BM5	Ultra-Low Quiescent Current, 150mA $\mu$ Cap LDO Regulator	
L410	MIC5238-1.0BM5	Ultra-Low Quiescent Current, 150mA $\mu$ Cap LDO Regulator	
L411	MIC5238-1.1BM5	Ultra-Low Quiescent Current, 150mA $\mu$ Cap LDO Regulator	
L411	MIC5238-1.1YM5	Ultra-Low Quiescent Current, 150mA $\mu$ Cap LDO Regulator	
L412	MIC5238-1.2BM5	Ultra-Low Quiescent Current, 150mA $\mu$ Cap LDO Regulator	
L413	MIC5238-1.3BM5	Ultra-Low Quiescent Current, 150mA $\mu$ Cap LDO Regulator	
L413	MIC5238-1.3YM5	Ultra-Low Quiescent Current, 150mA $\mu$ Cap LDO Regulator	
L5xx	MIC5268	150mA $\mu$ Cap CMOS LDO Regulator w/Power Good	
L512	MIC5268-1.2BM5	150mA $\mu$ Cap CMOS LDO Regulator w/Power Good	
L618	MIC5252-1.8BM5	150mA Low Noise $\mu$ Cap CMOS LDO	
L625	MIC5252-2.5BM5	150mA Low Noise $\mu$ Cap CMOS LDO	
L628	MIC5252-2.8BM5	150mA Low Noise $\mu$ Cap CMOS LDO	
L62J	MIC5252-2.85BM5	150mA Low Noise $\mu$ Cap CMOS LDO	
L630	MIC5252-3.0BM5	150mA Low Noise $\mu$ Cap CMOS LDO	
L64H	MIC5252-4.75BM5	150mA Low Noise $\mu$ Cap CMOS LDO	
618	MIC5252-1.8BML	150mA Low Noise $\mu$ Cap CMOS LDO	
625	MIC5252-2.5BML	150mA Low Noise $\mu$ Cap CMOS LDO	
62J	MIC5252-2.85BML	150mA Low Noise $\mu$ Cap CMOS LDO	
628	MIC5252-2.8BML	150mA Low Noise $\mu$ Cap CMOS LDO	
630	MIC5252-3.0BML	150mA Low Noise $\mu$ Cap CMOS LDO	
64H	MIC5252-4.75BML	150mA Low Noise $\mu$ Cap CMOS LDO	
L8xx	MIC5305	$\mu$ Cap 80mA Low-Dropout Regulator	
N8xx	MIC5305 (D5)	$\mu$ Cap 80mA Low-Dropout Regulator	
N815	MIC5305-1.5BD5	$\mu$ Cap 80mA Low-Dropout Regulator	
N818	MIC5305-1.8BD5	$\mu$ Cap 80mA Low-Dropout Regulator	
N826	MIC5305-2.6BD5	$\mu$ Cap 80mA Low-Dropout Regulator	
N829	MIC5305-2.9BD5	$\mu$ Cap 80mA Low-Dropout Regulator	
N830	MIC5305-3.0BD5	$\mu$ Cap 80mA Low-Dropout Regulator	
N833	MIC5305-3.3BD5	$\mu$ Cap 80mA Low-Dropout Regulator	
N84H	MIC5305-4.7BD5	$\mu$ Cap 80mA Low-Dropout Regulator	
N82J	MIC5305-2.85BD5	$\mu$ Cap 80mA Low-Dropout Regulator	
NAA	MIC5305BD5	$\mu$ Cap 80mA Low-Dropout Regulator	Adjustable
815	MIC5305-1.5BML	$\mu$ Cap 80mA Low-Dropout Regulator	
818	MIC5305-1.8BML	$\mu$ Cap 80mA Low-Dropout Regulator	
825	MIC5305-2.5BML	$\mu$ Cap 80mA Low-Dropout Regulator	
826	MIC5305-2.6BML	$\mu$ Cap 80mA Low-Dropout Regulator	
827	MIC5305-2.7BML	$\mu$ Cap 80mA Low-Dropout Regulator	
828	MIC5305-2.8BML	$\mu$ Cap 80mA Low-Dropout Regulator	
82J	MIC5305-2.8BML	$\mu$ Cap 80mA Low-Dropout Regulator	
829	MIC5305-285BML	$\mu$ Cap 80mA Low-Dropout Regulator	
830	MIC5305-3.0BML	$\mu$ Cap 80mA Low-Dropout Regulator	
833	MIC5305-3.3BML	$\mu$ Cap 80mA Low-Dropout Regulator	
84H	MIC5305-4.75BML	$\mu$ Cap 80mA Low-Dropout Regulator	
8AA	MIC5305BML	$\mu$ Cap 80mA Low-Dropout Regulator	
LL	ETC/MIC812LU...	Microprocessor Reset Circuit	4.63V
LM	ETC/MIC812MU...	Microprocessor Reset Circuit	4.38V
LR	ETC/MIC812RU...	Microprocessor Reset Circuit	2.63V
LS	ETC/MIC812SU...	Microprocessor Reset Circuit	2.93V
LT	ETC/MIC812TU...	Microprocessor Reset Circuit	3.08V
NA	ETC/MIC1810-5U	Microprocessor Reset Circuit	4.62V
NB	ETC/MIC1810-10U	Microprocessor Reset Circuit	4.37V
NC	ETC/MIC1810-15U	Microprocessor Reset Circuit	4.12V
ND	ETC/MIC1815-10U	Microprocessor Reset Circuit	2.88V
NE	ETC/MIC1815-20U	Microprocessor Reset Circuit	2.55V
NR	ETC/MIC6315-26D3U	Open-Drain $\mu$ P Reset Circuit	2.63V, 140ms
NS	ETC/MIC6315-26D4U	Open-Drain $\mu$ P Reset Circuit	2.63V, 1100ms
NT	ETC/MIC8115TU	Microprocessor Reset Circuit	
NU	ETC/MIC6315-31D3U	Open-Drain $\mu$ P Reset Circuit	3.08V, 140ms
NV	ETC/MIC8114TU	Microprocessor Reset Circuit	
NW	ETC/MIC6315-40D2U	Open-Drain $\mu$ P Reset Circuit	
NX	ETC/MIC6315-46D3U	Open-Drain $\mu$ P Reset Circuit	4.63V, 140 ms
NY	ETC/MIC6315-26D2U	Open-Drain $\mu$ P Reset Circuit	2.63V, 20ms
NZ	ETC/MIC6315-46D4U	Open-Drain $\mu$ P Reset Circuit	4.63V, 1100ms
N2	ETC/MIC6315-30D2U	Open-Drain $\mu$ P Reset Circuit	
N3	ETC/MIC6315-30D3U	Open-Drain $\mu$ P Reset Circuit	
N4	ETC/MIC6315-30D4U	Open-Drain $\mu$ P Reset Circuit	
PA	ETC/MIC6334-22D3U	Open-Drain $\mu$ P Reset Circuit	
P30	MIC94030BM4	TinyFET <sup>®</sup> P-Channel MOSFET	
P31	MIC94031BM4	TinyFET <sup>®</sup> P-Channel MOSFET	With gate pull-up resistor

# Analog Marking Information

Mark	Part Number	Description	Note
P50	MIC94050	4-Terminal P-Channel MOSFET	
P51	MIC94051	4-Terminal P-Channel MOSFET	
P52	MIC94052	84mW P-Channel MOSFET	
P53	MIC94053	84mW P-Channel MOSFET	
P54	MIC94060BC6	100mΩ Smart Load Switch	
P54	MIC94060YC6	100mΩ Smart Load Switch	
PA54	MIC94060BM5	100mΩ Smart Load Switch	
PA54	MIC94060YM5	100mΩ Smart Load Switch	
P55	MIC94061BC6	100mΩ Smart Load Switch	
P55	MIC94061YC6	100mΩ Smart Load Switch	
PA55	MIC94061BM5	100mΩ Smart Load Switch	
PA55	MIC94061YM5	100mΩ Smart Load Switch	
P56	MIC94062BC6	100mΩ Smart Load Switch	
P56	MIC94062YC6	100mΩ Smart Load Switch	
PA56	MIC94062BM6	100mΩ Smart Load Switch	
PA56	MIC94062YM6	100mΩ Smart Load Switch	
P57	MIC94063BC6	100mΩ Smart Load Switch	
P57	MIC94063YC6	100mΩ Smart Load Switch	
PA57	MIC94063BM5	100mΩ Smart Load Switch	
PA57	MIC94063YM5	100mΩ Smart Load Switch	
<b>Rab</b>	LM4040bIM3- <b>x.x</b> LM4041bIM3- <b>x.x</b>	Precision Micropower Shunt Voltage Reference <b>x.x</b> : output voltage (volts) <b>a</b> : voltage code <b>b</b> : tolerance code	
R1D	LM4040DIM3-1.2		
RAD	LM4041DIM3-ADJ		
RBxx	MIC4043BM4	Low-Voltage Secondary-Side Shunt Regulator	
SAxx	MIC2141BM5	Micropower Boost Converter	
SBxx	MIC2142BM5	Micropower Boost Converter	
SGXX	MIC2287 (D5)	1.2MHz PWM White LED Driver with Output Overvoltage Protection	
SGAA	MIC2287BD5	1.2MHz PWM White LED Driver with Output Overvoltage Protection	
SLX	MIC2287 (ML)	1.2MHz PWM White LED Driver with Output Overvoltage Protection	
SLA	MIC2287-15BML	1.2MHz PWM White LED Driver with Output Overvoltage Protection	
SLB	MIC2287-24BML	1.2MHz PWM White LED Driver with Output Overvoltage Protection	
SLC	MIC2287-34BML	1.2MHz PWM White LED Driver with Output Overvoltage Protection	
SHxx	MIC2288 (D5)	1A 1.2MHz PWM Boost Converter	
SHAA	MIC2288BD5	1A 1.2MHz PWM Boost Converter	
SJX	MIC2288 (ML)	1A 1.2MHz PWM Boost Converter	
SJA	MIC2288BML	1A 1.2MHz PWM Boost Converter	
SMxx	MIC2289 (D5)	(2×2mm) White LED Driver with Internal Schottky Diode and Output Overvoltage Protection	
SNX	MIC2289 (ML)	(2×2mm) White LED Driver with Internal Schottky Diode and Output Overvoltage Protection	
SNA	MIC2289-15BML	(2×2mm) White LED Driver with Internal Schottky Diode and Output Overvoltage Protection	
SNB	MIC2289-24BML	(2×2mm) White LED Driver with Internal Schottky Diode and Output Overvoltage Protection	
SNC	MIC2289-34BML	(2×2mm) White LED Driver with Internal Schottky Diode and Output Overvoltage Protection	
SPxx	MIC2290 (D5)	1.2MHz PWM Boost Converter with Internal Schottky Diode	
SRx	MIC2290 (ML)	1.2MHz PWM Boost Converter with Internal Schottky Diode	
SRC	MIC2290BML	1.2MHz PWM Boost Converter with Internal Schottky Diode	
SSxx	MIC2291 (D5)	1.2A PWM Boost Regulator Photo Flash LED Driver	
SSAA	MIC2291BD5	1.2A PWM Boost Regulator Photo Flash LED Driver	
STx	MIC2291 (ML)	1.2A PWM Boost Regulator Photo Flash LED Driver	
STA	MIC2291-15BML	1.2A PWM Boost Regulator Photo Flash LED Driver	
STC	MIC2291-34BML	1.2A PWM Boost Regulator Photo Flash LED Driver	
SUxx	MIC2292 (D5)	High Frequency PWM White LED Driver with Internal Schottky Diode and Overvoltage Protection	
SWx	MIC2292 (ML)	High Frequency PWM White LED Driver with Internal Schottky Diode and Overvoltage Protection	
SWA	MIC2292-15BML	High Frequency PWM White LED Driver with Internal Schottky Diode and Overvoltage Protection	
SWC	MIC2292-34BML	High Frequency PWM White LED Driver with Internal Schottky Diode and Overvoltage Protection	
SYxx	MIC2293 (D5)	High Frequency PWM White LED Driver with Internal Schottky Diode and Overvoltage Protection	
SZx	MIC2293 (ML)	High Frequency PWM White LED Driver with Internal Schottky Diode and Overvoltage Protection	
SZA	MIC2293-15BML	High Frequency PWM White LED Driver with Internal Schottky Diode and Overvoltage Protection	
SZC	MIC2293-34BML	High Frequency PWM White LED Driver with Internal Schottky Diode and Overvoltage Protection	
SVxx	MIC2295 (D5)		
SVAA	MIC2295BD5		
SXx	MIC2295 (ML)		
SXA	MIC2295BML		
S1xx	MIC2297 (ML)		
S116	MIC2297-15BML		
S143	MIC2297-34BML		

# Analog Marking Information

Mark	Part Number	Description	Note
TA00	MIC280-0BM6	Precision Thermal Supervisor	
TA01	MIC280-1BM6	Precision Thermal Supervisor	
TA02	MIC280-2BM6	Precision Thermal Supervisor	
TA03	MIC280-3BM6	Precision Thermal Supervisor	
TA04	MIC280-4BM6	Precision Thermal Supervisor	
TA05	MIC280-5BM6	Precision Thermal Supervisor	
TA06	MIC280-6BM6	Precision Thermal Supervisor	
TA07	MIC280-7BM6	Precision Thermal Supervisor	
TB00	MIC281-0BM6	Low Cost Thermal Sensor	
TB01	MIC281-1BM6	Low Cost Thermal Sensor	
TB02	MIC281-2BM6	Low Cost Thermal Sensor	
TB03	MIC281-3BM6	Low Cost Thermal Sensor	
TB04	MIC281-4BM6	Low Cost Thermal Sensor	
TB05	MIC281-5BM6	Low Cost Thermal Sensor	
TB06	MIC281-6BM6	Low Cost Thermal Sensor	
TB07	MIC281-7BM6	Low Cost Thermal Sensor	
T10	MIC1555BM5	IttyBitty® Timer/Oscillator	
T11	MIC1557BM5	IttyBitty® Oscillator	
UDL	MIC2753-LBM5	Power Supply Supervisor	Active high
UDM	MIC2753-NBM5	Power Supply Supervisor	
UDR	MIC2753-RBM5	Power Supply Supervisor	
UDS	MIC2753-SBM5	Power Supply Supervisor	
UDT	MIC2753-5BM5	Power Supply Supervisor	
UEL	MIC2754-LBM5	Power Supply Supervisor	Active low
UEM	MIC2754-MBM5	Power Supply Supervisor	
UER	MIC2754-RBM5	Power Supply Supervisor	
UES	MIC2754-SBM5	Power Supply Supervisor	
UET	MIC2754-TBM5	Power Supply Supervisor	
UFx	MIC2778	Voltage Monitor with Adjustable Hysteresis	
UFA	MIC2778-1BM5	Voltage Monitor with Adjustable Hysteresis	
UFB	MIC2778-2BM5	Voltage Monitor with Adjustable Hysteresis	
UHx	MIC2774H	Dual Micro-Power Low Voltage Supervisor	
UH17	MIC2777H-17BM5	Dual Micro-Power Low Voltage Supervisor	
UH22	MIC2777H-22BM5	Dual Micro-Power Low Voltage Supervisor	
UH23	MIC2777H-23BM5	Dual Micro-Power Low Voltage Supervisor	
UH25	MIC2777H-25BM5	Dual Micro-Power Low Voltage Supervisor	
UH26	MIC2777H-26BM5	Dual Micro-Power Low Voltage Supervisor	
UH28	MIC2777H-28BM5	Dual Micro-Power Low Voltage Supervisor	
UH29	MIC2777H-29BM5	Dual Micro-Power Low Voltage Supervisor	
UH31	MIC2777H-31BM5	Dual Micro-Power Low Voltage Supervisor	
UH44	MIC2777H-44BM5	Dual Micro-Power Low Voltage Supervisor	
UH46	MIC2777H-46BM5	Dual Micro-Power Low Voltage Supervisor	
UIx	MIC2774L	Dual Micro-Power Low Voltage Supervisor	
UI17	MIC2777L-17BM5	Dual Micro-Power Low Voltage Supervisor	
UI22	MIC2777L-22BM5	Dual Micro-Power Low Voltage Supervisor	
UI23	MIC2777L-23BM5	Dual Micro-Power Low Voltage Supervisor	
UI25	MIC2777L-25BM5	Dual Micro-Power Low Voltage Supervisor	
UI26	MIC2777L-26BM5	Dual Micro-Power Low Voltage Supervisor	
UI28	MIC2777L-28BM5	Dual Micro-Power Low Voltage Supervisor	
UI29	MIC2777L-29BM5	Dual Micro-Power Low Voltage Supervisor	
UI31	MIC2777L-31BM5	Dual Micro-Power Low Voltage Supervisor	
UI44	MIC2777L-44BM5	Dual Micro-Power Low Voltage Supervisor	
UI46	MIC2777L-46BM5	Dual Micro-Power Low Voltage Supervisor	
UG17	MIC2777N-17BM5	Dual Micro-Power Low Voltage Supervisor	
UG22	MIC2777N-22BM5	Dual Micro-Power Low Voltage Supervisor	
UG23	MIC2777N-23BM5	Dual Micro-Power Low Voltage Supervisor	
UG25	MIC2777N-25BM5	Dual Micro-Power Low Voltage Supervisor	
UG26	MIC2777N-26BM5	Dual Micro-Power Low Voltage Supervisor	
UG28	MIC2777N-28BM5	Dual Micro-Power Low Voltage Supervisor	
UG29	MIC2777N-29BM5	Dual Micro-Power Low Voltage Supervisor	
UG31	MIC2777N-31BM5	Dual Micro-Power Low Voltage Supervisor	
UG44	MIC2777N-44BM5	Dual Micro-Power Low Voltage Supervisor	
UG46	MIC2777N-46BM5	Dual Micro-Power Low Voltage Supervisor	
UJx	MIC2775	Micro-Power Voltage Supervisor	
UJ17	MIC2775-17BM5	Micro-Power Voltage Supervisor	
UJ22	MIC2775-22BM5	Micro-Power Voltage Supervisor	



# Analog Marking Information

Mark	Part Number	Description	Note
UJ23	MIC2775-23BM5	Micro-Power Voltage Supervisor	
UJ25	MIC2775-25BM5	Micro-Power Voltage Supervisor	
UJ26	MIC2775-26BM5	Micro-Power Voltage Supervisor	
UJ28	MIC2775-28BM5	Micro-Power Voltage Supervisor	
UJ29	MIC2775-29BM5	Micro-Power Voltage Supervisor	
UJ31	MIC2775-31BM5	Micro-Power Voltage Supervisor	
UJ44	MIC2775-44BM5	Micro-Power Voltage Supervisor	
UJ46	MIC2775-46BM5	Micro-Power Voltage Supervisor	
ULAA	MIC2776HBM5	Micro-Power Low Voltage Supervisor	
UMx	MIC2776L	Micro-Power Low Voltage Supervisor	
UMAA	MIC2776LBM5	Micro-Power Low Voltage Supervisor	
UKx	MIC2776N	Micro-Power Low Voltage Supervisor	
UKAA	MIC2776NBM5	Micro-Power Low Voltage Supervisor	
UNx	MIC2777		
UN17	MIC2777-17BM5	Dual Micro-Power Low Voltage Supervisor	
UN22	MIC2777-22BM5	Dual Micro-Power Low Voltage Supervisor	
UN23	MIC2777-23BM5	Dual Micro-Power Low Voltage Supervisor	
UN25	MIC2777-25BM5	Dual Micro-Power Low Voltage Supervisor	
UN26	MIC2777-26BM5	Dual Micro-Power Low Voltage Supervisor	
UN28	MIC2777-28BM5	Dual Micro-Power Low Voltage Supervisor	
UN29	MIC2777-29BM5	Dual Micro-Power Low Voltage Supervisor	
UN31	MIC2777-31BM5	Dual Micro-Power Low Voltage Supervisor	
UN44	MIC2777-44BM5	Dual Micro-Power Low Voltage Supervisor	
UN46	MIC2777-46BM5	Dual Micro-Power Low Voltage Supervisor	
UPAx	MIC2779H		
UPA1	MIC2779H-1BM5	Voltage Monitor with Adjustable Hysteresis	
UPA2	MIC2779H-2BM5	Voltage Monitor with Adjustable Hysteresis	
UPBx	MIC2779L		
UPB1	MIC2779L-1BM5	Voltage Monitor with Adjustable Hysteresis	
UPB2	MIC2779L-2BM5	Voltage Monitor with Adjustable Hysteresis	

# High Bandwidth Part Identification

