

Low Power FM IF Amplifier

Description

CXA1003BM/BN are single-chip ICs for FM Radio such as cellular mobile, etc..

Features

- It includes all the functions needed to the cellular mobile such as second mixer, FM detecting circuit, muting circuit, RSSI, etc..
- It has wide operating voltage (4.5 to 9.5V) and low current consumption. (During  $V_{cc}=5V$ ,  $I_{cc}=5.7$  mA Typ.)
- It includes the audio output buffer, so it needs small number of peripheral parts.
- It has wide RSSI range and excellent temperature characteristics.

Functions

- Second mixer and oscillation circuit
- IF amplifier and limiter
- RSSI (Received Signal Strength Indicator)
- FM detecting circuit
- Muting circuit

Structure

Bipolar silicon monolithic IC

Absolute Maximum Ratings ( $T_a = 25^\circ C$ )

• Supply voltage	$V_{cc}$	17	V
• Operating temperature	$T_{opr}$	-35 to +85	$^\circ C$
• Storage temperature	$T_{stg}$	-55 to +150	$^\circ C$
• Allowable power dissipation	$P_d$	780	mW
		(CXA1003BM)	
		500	mW
		(CXA1003BN)	

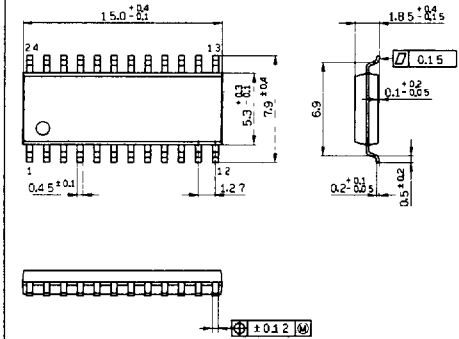
Recommended Operating Condition

• Supply voltage	$V_{cc}$	4.5 to 9.5	V
------------------	----------	------------	---

Package Outline

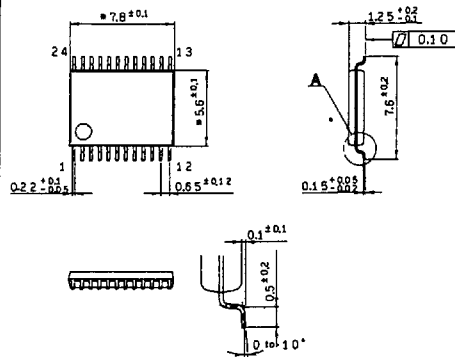
Unit: mm

CXA1003BM 24 pin SOP (Plastic)



SOP-24P-L01

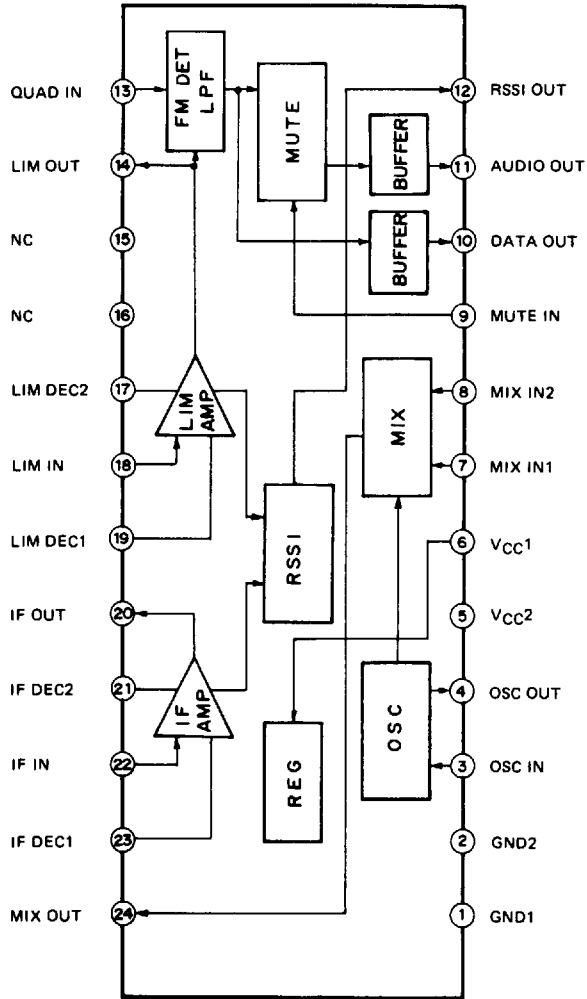
CXA1003BN 24 pin VSOP (Plastic)



VSOP-24P-L01

3

Block Diagram and Pin Configuration (Top View)



Pin Description

No.	Symbol	Voltage (Typ.)	Equivalent circuit	Description
1 2	GND1 GND2	0V		Grounding pin
3 4	OSC IN OSC OUT	3.0V 2.3V		Connect a crystal oscillator to compose a Colpitts type oscillation circuit. In case of using an external oscillator, input a signal to pin ③ and connect pin ④ to Vcc.
5 6	Vcc2 Vcc1	5.0V		Power supply pin
7 8	MIX IN1 MIX IN2	1.2V 1.2V		Input pin of mixer. In case of using a single input, connect pin ⑧ to GND with capacitor.
9	MUTE IN			Control pin of pin ⑩ ; audio output. A signal is output at L ( $\leq 0.8V$ ), and is muted at H ( $\geq 2.0V$ ).
10 11	DATA OUT AUDIO OUT	2.5V 2.5V		FM detected signal is output. The output of pin ⑪ can be muted by the input of pin ⑨ .
12	RSSI OUT			Output current is corresponding to a input signal level.

3

No.	Symbol	Voltage (Typ.)	Equivalent circuit	Description
13	QUAD IN	3.3V		Input pin of quadrature detecting circuit. Connect a resonance circuit between pin ⑬ and ⑭
14	LIM OUT	1.7V		Output pin of limiter.
17 18 19	LIM DEC2 LIM IN LIM DEC1	1.7V 1.7V 1.7V		Input and decoupling pin of limiter. Connect pin ⑰ and ⑲ to GND with capacitor (0.01 to 0.047µF).
20	IF OUT	1.6V		Output pin of IF amp.
21 22 23	IF DEC2 IF IN IF DEC1	1.6V 1.6V 1.6V		Input pin and decoupling pin of IF amp. Connect pin ⑳ and ㉓ to GND with capacitor (0.01 to 0.047µF).
24	MIX OUT	3.8V		Output pin of mixer.

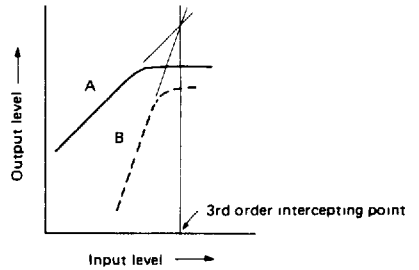
(Ta=25°C, Vcc=5V See the Electrical Characteristics Test Circuit)  
0 dBm=223.6 mVrms

No.	Item	Symbol	SW which turns ON	Input signal, No	Remark	Test point	Min.	Typ.	Max.	Unit
1	Consumption current	Icc				I1	4.7	5.7	7.3	mA
2	Mixer conversion gain	VG1		VIN1: 80MHz -40dBm VIN2: 80.455MHz 10dBm VIN3: 80.455MHz 10dBm	fOUT=455kHz Output level of 455kHz component Input level of pin ⑦	V1	18	20	22	dB
3	3rd order intercepting point	IM1		VIN1: 80.06MHz VIN2: 80.12MHz VIN3: 80.455MHz 10dBm	fOUT=455kHz See Note	V1	-6.0	-4.5		dBm
4	Oscillator output voltage	VO1	S1, S2		0dB=223.6mVrms	V2	-5	0	+5	dB
5	IF amp voltage gain	VG2		VIN4: 455kHz -50dBm		V3	34	36	38	dB
6	Limiter voltage gain	VG3		VINS: 455kHz -90dBm		V4	70	72	74	dB
7	Limiter output voltage	VO3		VINS: 455kHz -20dBm		V4	500	570	640	mVp-p
8	Audio output voltage	VO4	S5	VINS: 455kHz -20dBm	fAUDIO=1kHz DEV=±8kHz FM	V5	155	195	245	mVrms
9	Audio output distortion	VD4		VINS: 455kHz -20dBm	fAUDIO=1kHz DEV=±8kHz FM	V5			1	%
10	Audio output S/N	SN4		VINS: 455kHz -20dBm		V5	40			dB
11	Audio output AMRR	AR4		VINS: 455kHz -20dBm	fAUDIO=1kHz MOD=±80% AM	V5	30			dB
12	Crosstalk in muting	MX4	S6	VINS: 455kHz -20dBm	fAUDIO=1kHz DEV=±8kHz FM	V5			-65	dB
13	Data output voltage	VO5	S5	VINS: 455kHz -20dBm	fAUDIO=1kHz DEV=±8kHz FM	V6	155	195	245	mVrms
14	RSSI output voltage L	VO6	S3, S4	VINA: 455kHz -100dBm		V7	0.25	0.40	0.55	V
15	RSSI output voltage H	VO7	S3, S4	VINS: 455kHz -20dBm		V7	1.50	1.85	2.20	V

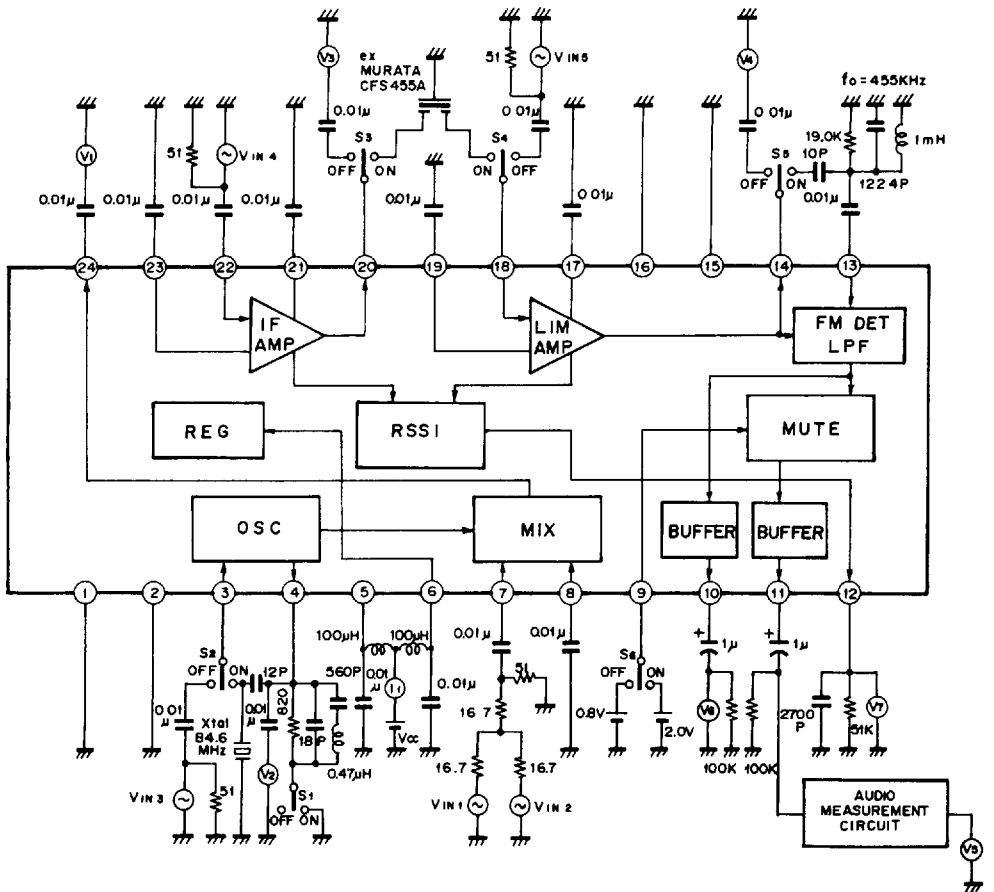
(Note) See next page



**Note)** Definition of the 3rd order intercepting point. The 3rd order intercepting point is determined by the input level of pin ⑦ at the tangent intersection of A and B. A and B is 455 kHz component in case of 1 and 2. In case 1,  $V_{IN1}$  is 80 MHz,  $V_{IN2}$  is terminated by  $50\Omega$  and  $V_{IN3}$  is 10 dBm 80.455 MHz. In case 2,  $V_{IN1}$  is 80.06 MHz,  $V_{IN2}$  is 80.12 MHz (level of  $V_{IN1}$  and  $V_{IN2}$  is equal) and  $V_{IN3}$  is 10 dBm 80.455 MHz.

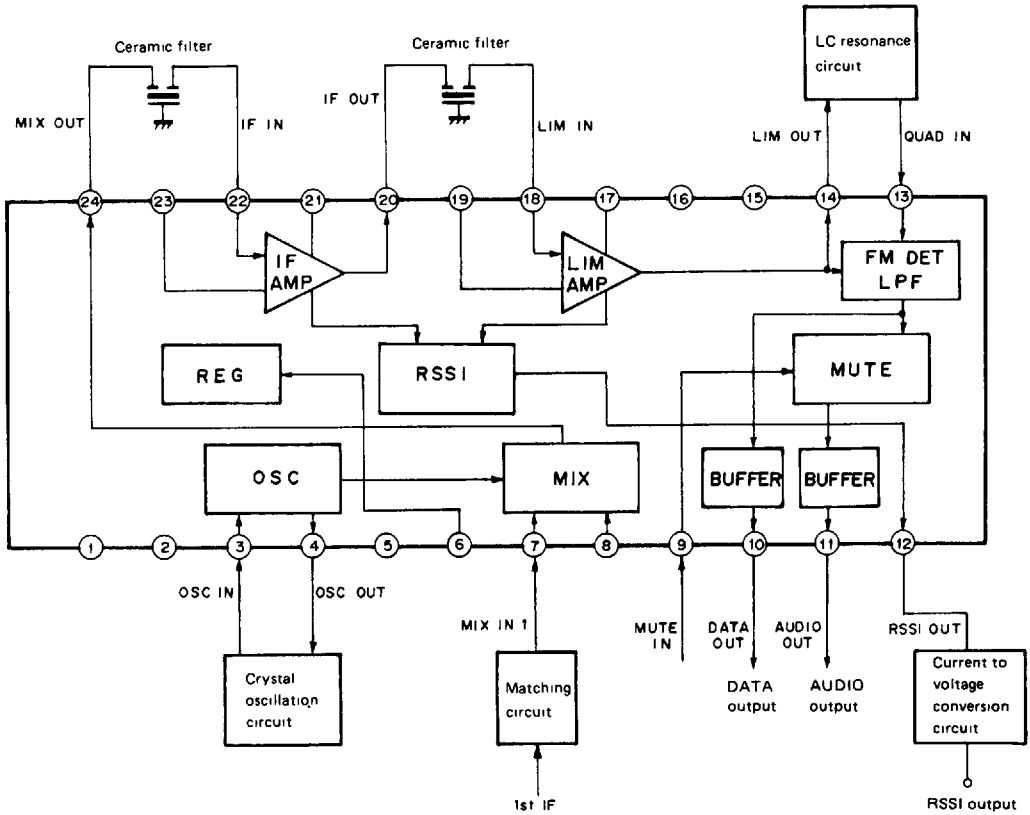


**Electrical Characteristics Test Circuit**



**Description of Operation**

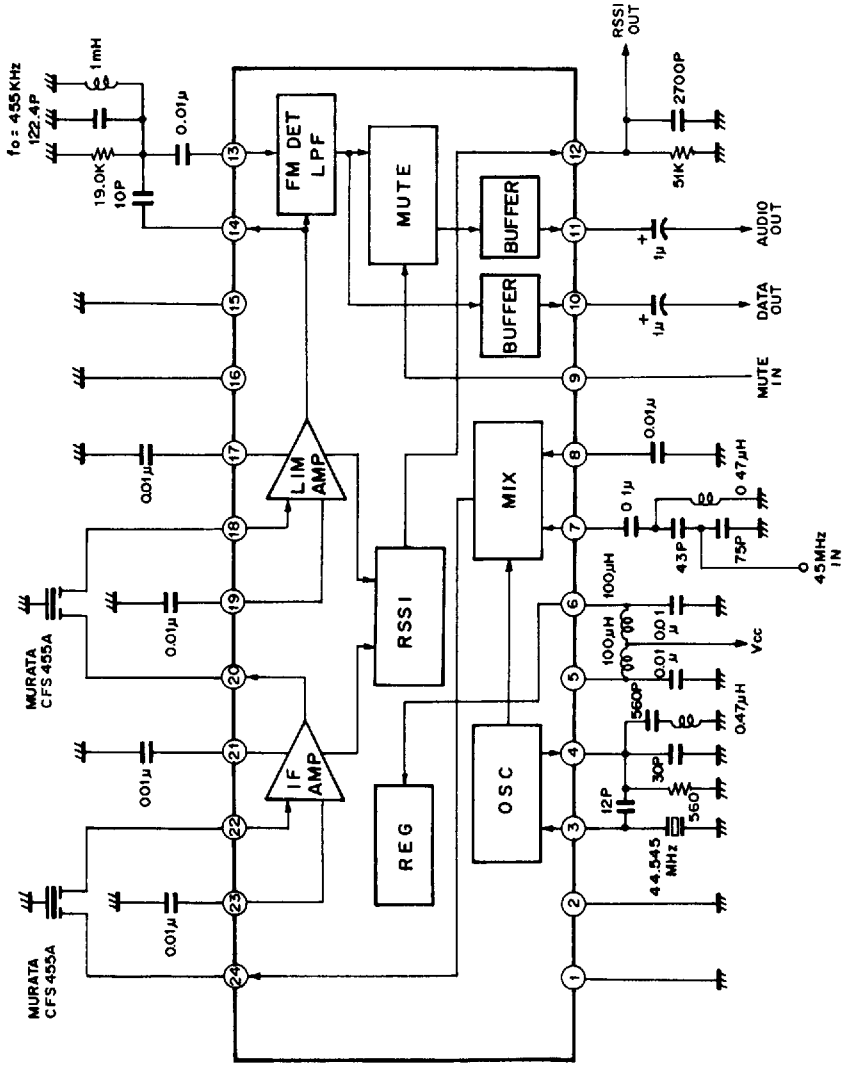
The signals which have been input from pins ⑦ and ⑧ are mixed with the local oscillation signals from the oscillator in the mixer, and the frequency converted signal is output from pin ⑭. The oscillator is self-oscillated by composing Colpitts type crystal oscillation circuit between pin ③ and ④. In addition, it is possible to apply a local oscillation signal to pin ③ from the external circuit. After the bandwidth is limited by BPF, the mixer output is amplified by IF amplifier and output from pin ⑫. The IF amplifier output is limited its bandwidth again, and amplitude limited by the limiter and output from pin ⑩. The limiter amplifier output is phase-shifted by LC resonance circuit, etc., and audio signal is output from pin ⑩ and ⑪ after being quadrature detected. The output from pin ⑪ can be muted by control signal from pin ⑨. The control signal is muting at "H" in TTL level and through at "L".



3

The RSSI output is the currents corresponding to the input levels at the IF amplifier and the limiter. It is possible to convert a current into a voltage by connecting a proper I. V conversion circuit.

Application Circuit





**Note on Use**

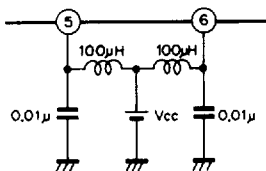
CXA1003BM/BN have very high at voltage gain, so take care of the following.

1. Decouple pin ⑤ (Vcc2) and ⑥ (Vcc1) with L and C as near to the pins as possible.
2. Connect pin ⑮ and ⑰ (NC) to GND.
3. Separate input line from the output line as far as possible, and make the wiring short.
4. Connect pin ⑧, ⑳, ㉓, ㉗ and ㉙ to GND with capacitor as near to pins as possible.
5. The GND impedance should be as low as possible.
6. It is better to separate statically the input from the output of the limiter with shielding plate.

**Notes on Application**

**1) Power supply**

The CXA1003BM/BN have a voltage regulator within the IC, so these have wide operating power supply range (+4.5 to +9.5V; Typ: 5.0V). There is little change in characteristics in the operating range. Decouple pin ⑤ (Vcc2) and ⑥ (Vcc1) with L and C. (See Fig. right)



**Power supply decoupling**

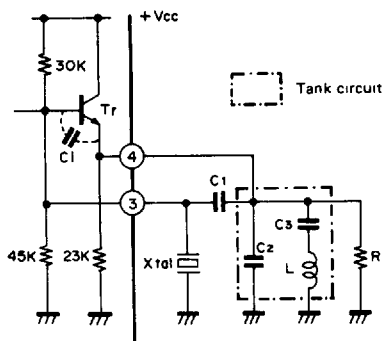
**2) Oscillator**

The method to use oscillator of CXA1003BM/BN is the following:

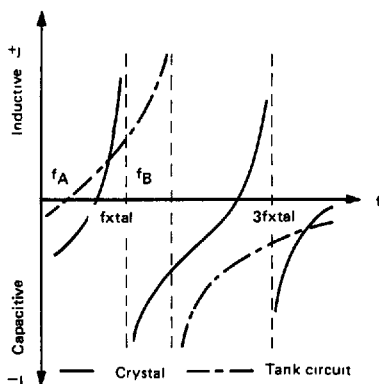
- (a) Method to input from pin ③ with the self-exciting oscillation signal by composing a crystal oscillation circuit of the Colpitts type to pin ③ and ④.
- (b) Method to input directly the external local oscillation signal to pin ③.

<Crystal oscillation circuit>

The 3rd overtone crystal oscillation circuit of the Colpitts type is Fig. bellow.



**Colpitts type crystal oscillation circuit**



**Reactance characteristics**

3

The conditions of the 3rd overtone oscillation of this oscillation circuit are the following.

- The parallel resonance frequency ( $f_B$ ) of the tank circuit should be smaller than the 3rd oscillation frequency ( $3f_{xtal}$ ) and the serial resonance frequency ( $f_A$ ) should be smaller than the basic oscillation frequency ( $f_{xtal}$ ) ( $3f_{xtal} > f_B$ ,  $f_{xtal} > f_A$ ).
- The load capacitance ( $C_L$ ) of the crystal should be adequate.
- The  $f_t$  of the amplifier ( $Tr$ ) should be sufficiently larger than  $3f_{xtal}$ .

The constant is determined so as to satisfy these conditions.

The oscillation level is set at 280 to 890 mVrms (Typ: 500 mVrms) and adjust the level by changing the resistance value (R). The slight adjustments of the oscillation frequency and oscillation level are performed with C2 and L.

<In case of direct input>

In case of direct input, connect pin ④ to Vcc and input external local oscillation signal to pin ③. Input level at this point is also 280 to 890 mVrms (Typ: 500 mVrms).

### 3) Mixer

Mixer of the CXA1003BM/BN is a double balance type. Input ports are pin ⑦ and ⑧, and in case of single input, input signal to pin ⑦, and connect pin ⑧ to GND with capacitor. It is possible to use differential input. The standard input level is  $-110$  to  $-30$  dBm ( $0.7\mu$  to  $7.0$  mVrms), and input through a suitable matching circuit.

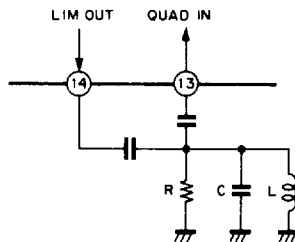
### 4) Filter

The band-pass filters which are connected between pin ②④ and ②② and between pin ②⑩ and ①⑧ of the CXA1003BM/BN are desired to have the specifications as follows.

- Input/output impedance:  $1.5\text{ k}\Omega \pm 10\%$
- Insertion loss (center frequency):  $<6$  dB

### 5) Phase shifter

Input to pin ⑬ to shift the phase of the limiter output (pin ⑭)  $90^\circ$  by the RLC parallel resonance circuit or the discriminator, etc. in order to quadrature FM detection. The Fig. below shows the RLC phase shifter. In this case, determine the L and C values so that the 2nd IF signal frequency and the parallel resonance frequency are the same, and the audio output level is determined by R value. RLC Phase shifter or Oscillator is connected between pin ⑬ and ⑭, the phase shifted signal is input to pin ⑬ and demodulated in quadrature detector.



RLC phase shifter

**6) Audio output, data output and muting**

The FM modulated audio or data signal is demodulated in the prior stage and is output from pin ⑪ (AUDIO OUT) and ⑫ (DATA OUT). Output from pin ⑪ can be muted by control signal of TTL level from pin ⑨ (MUTE IN). (See table below.)

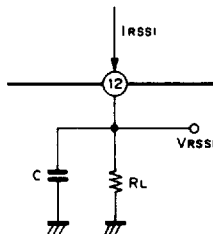
Control signal	Audio signal
H ( $\geq 2.0V$ )	Mute
L ( $\leq 0.8V$ )	Slew

**Table of muting control**

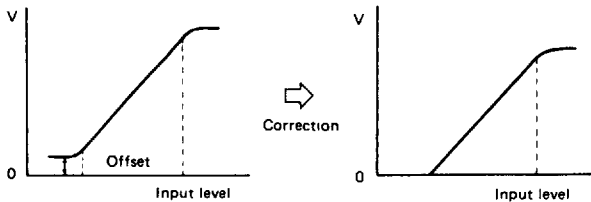
**7) RSSI**

The function of RSSI is to detect the input level, and output current increases monotonously within the range of IF input level  $-100$  to  $0$  dBm ( $2.24\mu$  to  $224$  mVrms). The power supply and temperature effect little on output current. However, the output current is distributed within the range of  $\pm 20\%$  due to the resistance within the IC. In case voltage output is required, it needs current to voltage conversion circuit composing with resistance, etc. The resistance value is determined by the RSSI maximum output current and the allowable maximum voltage of pin ⑫. The RSSI maximum output current is approximately  $60\mu A$  (Typ:  $45\mu A$ ) and the allowable maximum voltage (recommended maximum voltage) is  $V_{CC}-1.8V$ , select the resistance according to the power supply and the required output voltage. In case the output voltage is required above  $V_{CC}-1.8V$ , amplify a voltage using an operational amplifier, etc.

The AMPS defines that the RSSI output voltage increases monotonously from  $0$  to  $0.5V$ . The CXA1003BM/BN have an offset of approximately  $0.3$  to  $0.5V$  ( $V_{CC} = 5V$   $R_L = 51$  k $\Omega$ ), if it needs, utilize the offset correction circuit.



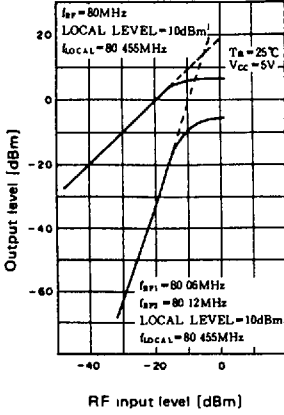
**Current to voltage conversion with resistance of RSSI output**



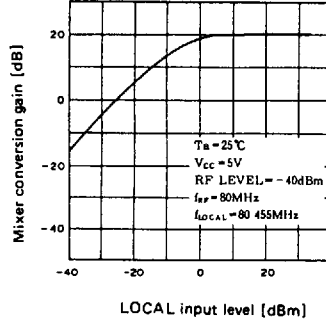
**Offset correction of RSSI output voltage**

3

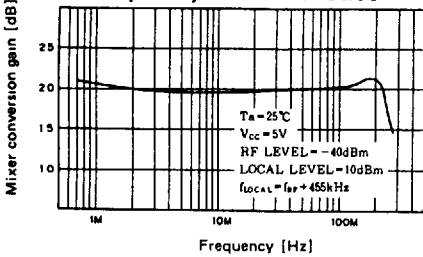
**Mixer I/O characteristics and the 3rd order intercepting point**



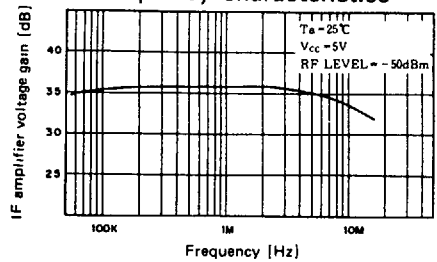
**Mixer conversion gain vs. Local input level**



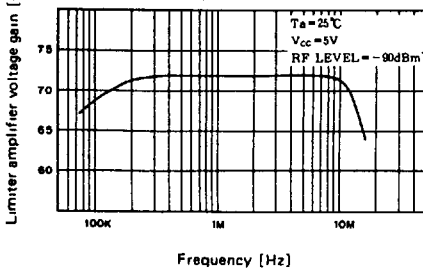
**Mixer conversion gain frequency characteristics**



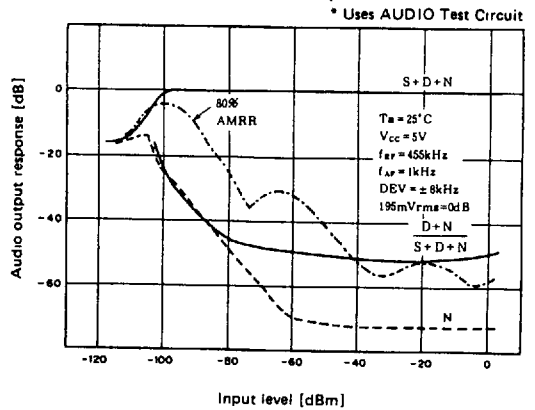
**IF amplifier voltage gain frequency characteristics**



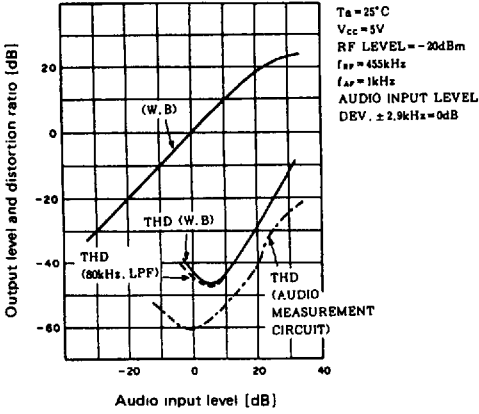
**Limiter voltage gain frequency characteristics**



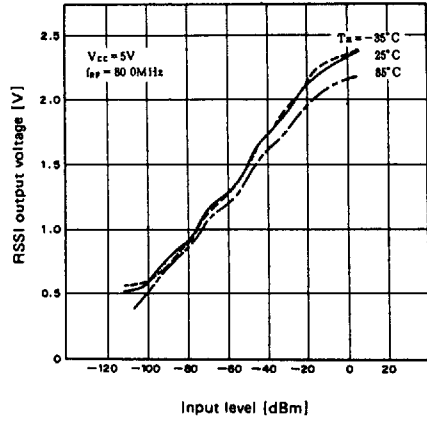
**Audio demodulation characteristics (IF IN/AUDIO OUT)**



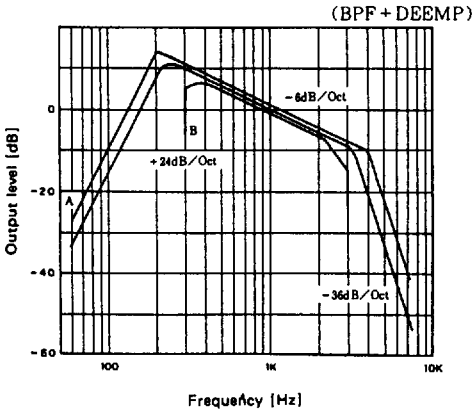
**Audio I/O characteristics**



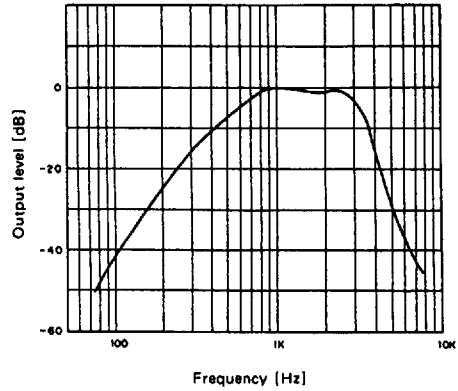
**RSSI characteristics (MIX IN/RSSI OUT)**



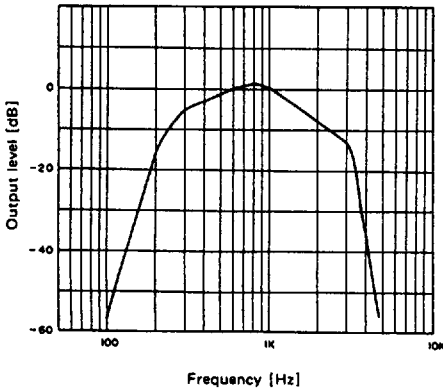
**RX-audio input frequency characteristics (A-B; AMPS Typ.)**



**C-message filter frequency characteristics**


















**Audio measurement circuit frequency characteristics**



3

## Package Name

Type	Package name		Package	Features					
	Symbol	Description		Material	Lead pitch	Lead shape	Lead pull out direction		
Inserted	Standard	D I P	DUAL IN-LINE PACKAGE		P C	2.54mm (100MIL)	Through Hole Lead	2-direction	
		S I P	SINGLE IN LINE PACKAGE		P	2.54mm (100MIL)	Through Hole Lead	1-direction	
		Z I P	ZIG ZAG IN-LINE PACKAGE		P	2.54mm (100MIL) Zig-Zag in-line	Through Hole Lead	1-direction	
		P G A	PIN GRID ARRAY		C	2.54mm (100MIL)	Through Hole Lead	Package under side	
		PIGGY BACK	PIGGY BACK		C	2.54mm (100MIL)	Through Hole Lead	2-direction	
	Shrink	SDIP	SHRINK DUAL IN-LINE PACKAGE		P	1.778mm (70MIL)	Through Hole Lead	2-direction	
		SZIP	SHRINK ZIG-ZAG IN-LINE PACKAGE		P	1.778mm (70MIL) Zig-Zag in-line	Through Hole Lead	1-direction	
	Surface mounted	Standard flat package	Q F P	QUAD FLAT L LEADED PACKAGE		P C	1.0mm 0.8mm 0.65mm	Gull-Wing	4-direction
			S O P	SMALL OUTLINE L-LEADED PACKAGE		P	1.27mm (50MIL)	Gull-Wing	2-direction
		Standard 2-direction chip carrier	S O J	SMALL OUTLINE J-LEADED PACKAGE		P	1.27mm (50MIL)	J-Lead	2-direction
Shrink flat package		VQFP	VERY SMALL QUAD FLAT PACKAGE		P	0.5mm	Gull-Wing	4-direction	
		VSOP	VERY SMALL OUTLINE PACKAGE		P	0.65mm	Gull-Wing	2-direction	
		TSOP	THIN SMALL OUTLINE PACKAGE		P	0.5mm (0.55mm)	Gull-Wing	2-direction	
Standard chip carrier		Q F J	QUAD FLAT J-LEADED PACKAGE		P	1.27mm (50MIL)	J-Lead	4-direction	
		Q F N	QUAD FLAT NON-LEADED PACKAGE		C	1.27mm (50MIL)	Leadless	Package under side	

\* P .....Plastic, C .....Ceramic

2