



## Description

PT 2272 is a remote control decoder paired with PT 2262 utilizing CMOS Technology. It has 12 bits of tri-state address pins providing a maximum of 531,441 (or  $3^{12}$ ) address codes; thereby, drastically reducing any code collision and unauthorized code scanning possibilities. PT 2272 is available in several options to suit every application need : variable number of data output pins, latch or momentary output type.

## Features

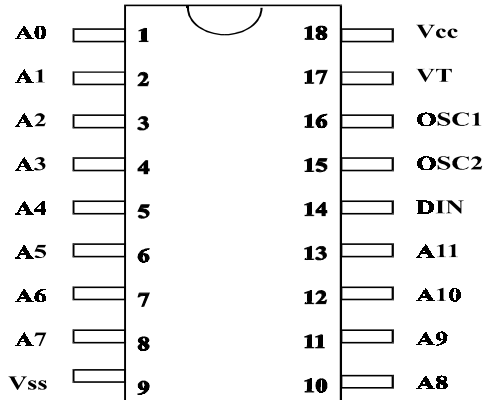
- CMOS Technology
- Low Power Consumption
- Very High Noise Immunity
- Up to 12 Tri-State Code Address Pins
- Up to 6 Data Pins
- Wide Range of Operating Voltage:  $V_{cc} = 4 \sim 15$  Volts
- Single Resistor Oscillator
- Latch or Momentary Output Type
- Available in DIP and SO Package

## Applications

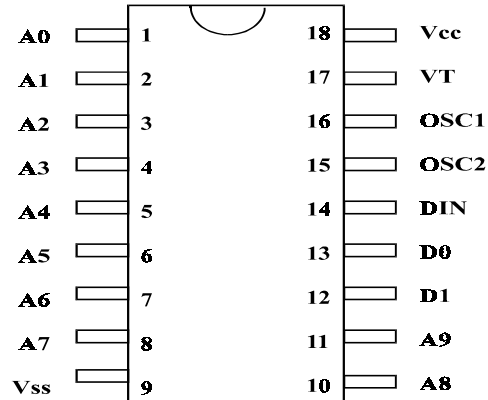
- Car Security System
- Garage Door Controller
- Remote Control Fan
- Home Security/Automation System
- Remote Control Toys
- Remote Control for Industrial Use



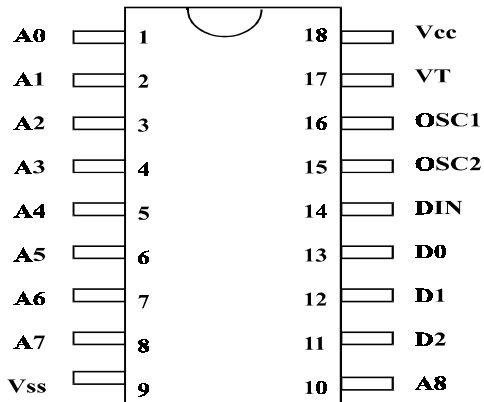
# Pin Configuration



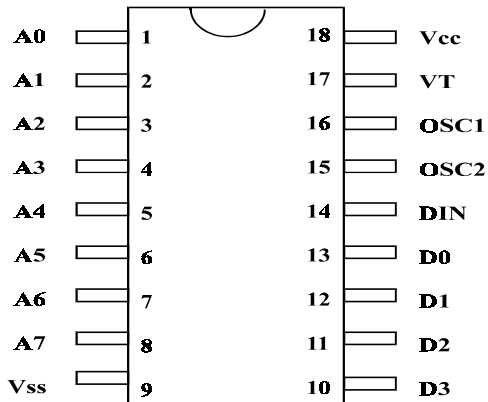
**PT 2272**



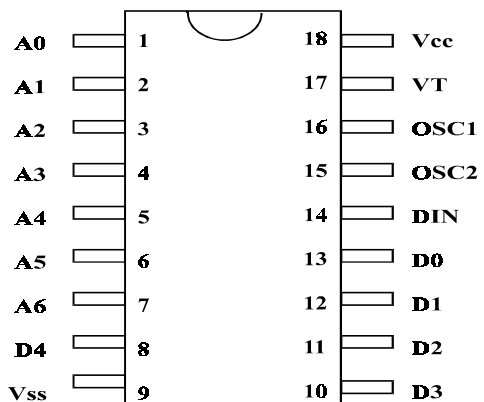
**PT 2272A - M2/L2**



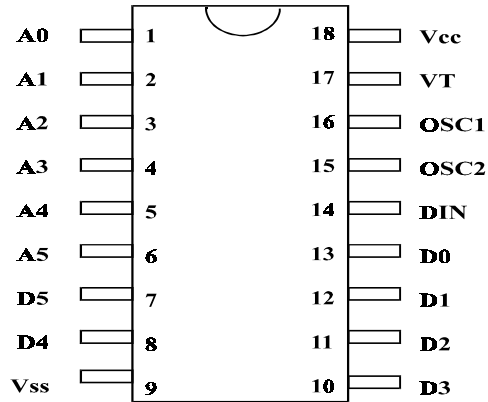
**PT 2272 - M3/L3**



**PT 2272 - M4/L4**



**PT 2272 - M5/L5**

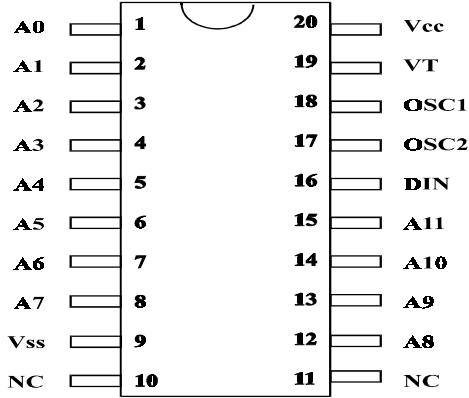


**PT 2272 - M6/L6**

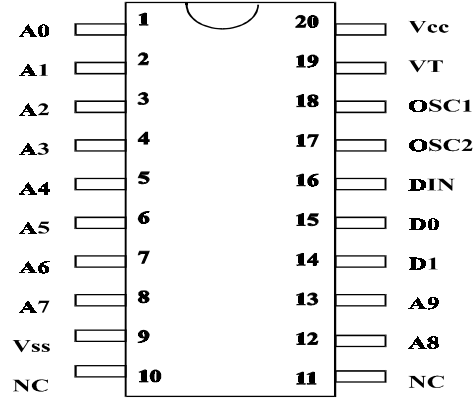


Remote Control Decoder

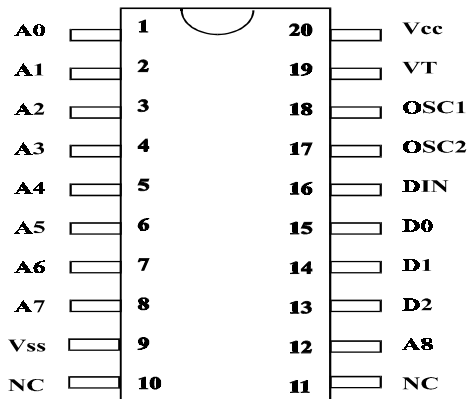
PT 2272



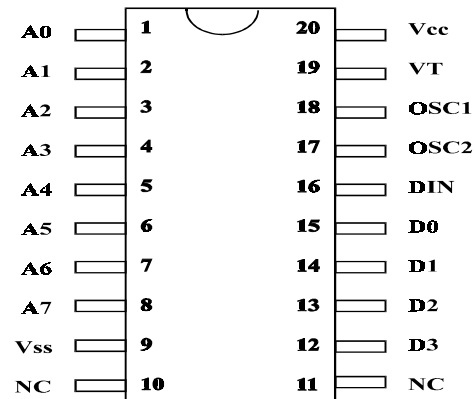
PT 2272 (20 Pins)



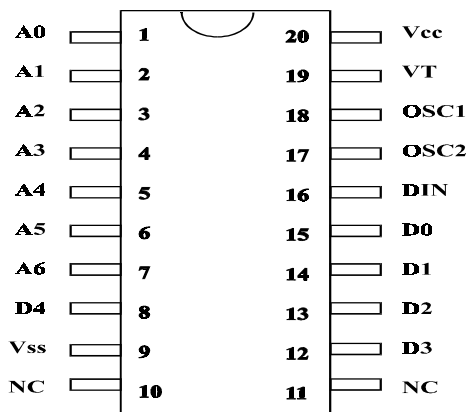
PT 2272A - M2/L2 (20 Pins)



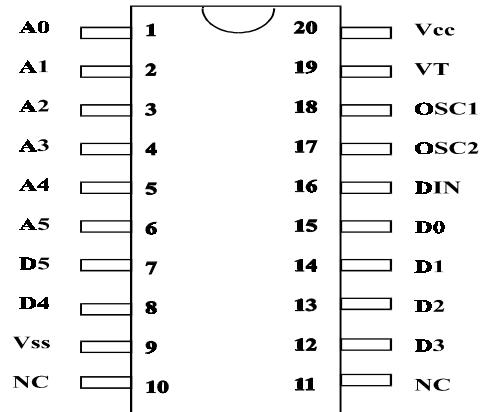
PT 2272 - M3/L3 (20 Pins)



PT 2272 - M4/L4 (20 Pins)



PT 2272 - M5/L5 (20 Pins)

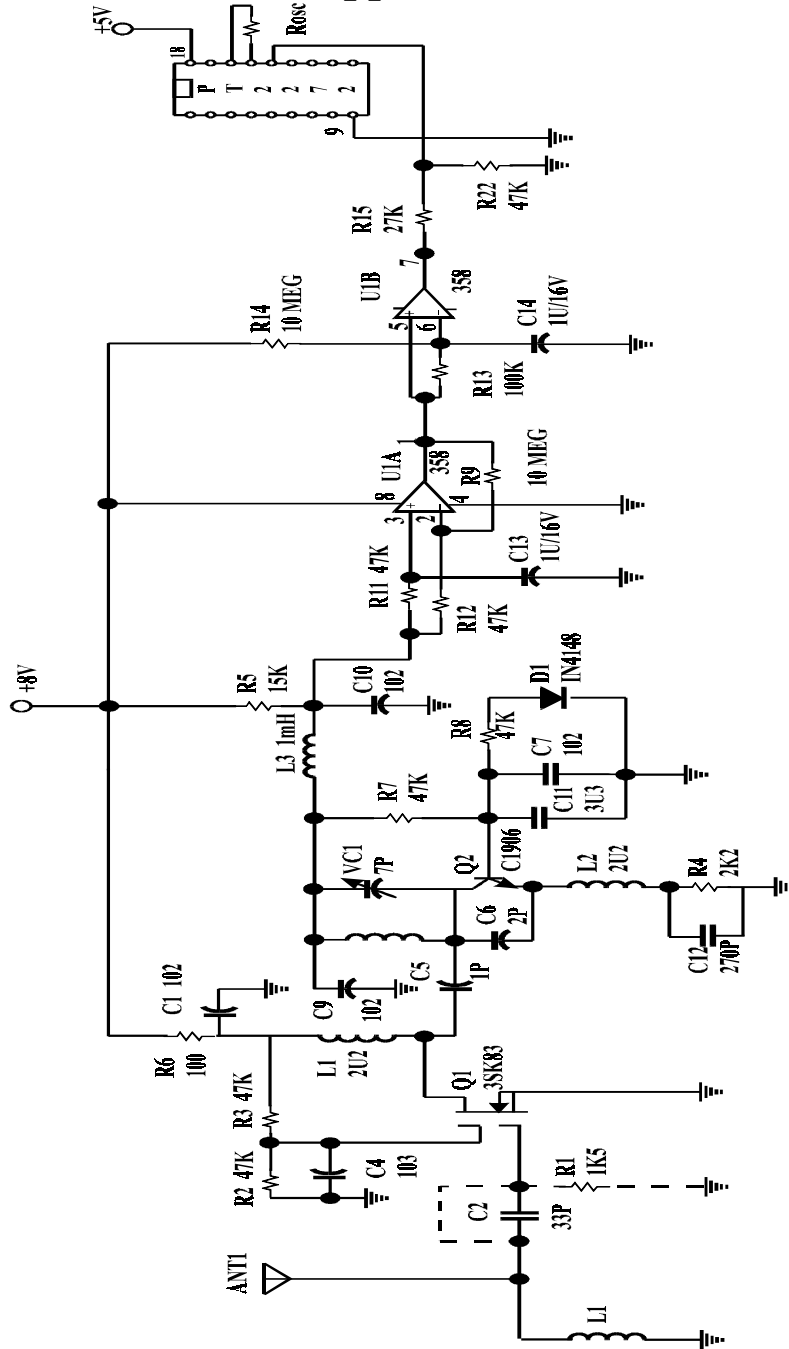


PT 2272 - M6/L6 (20 Pins)



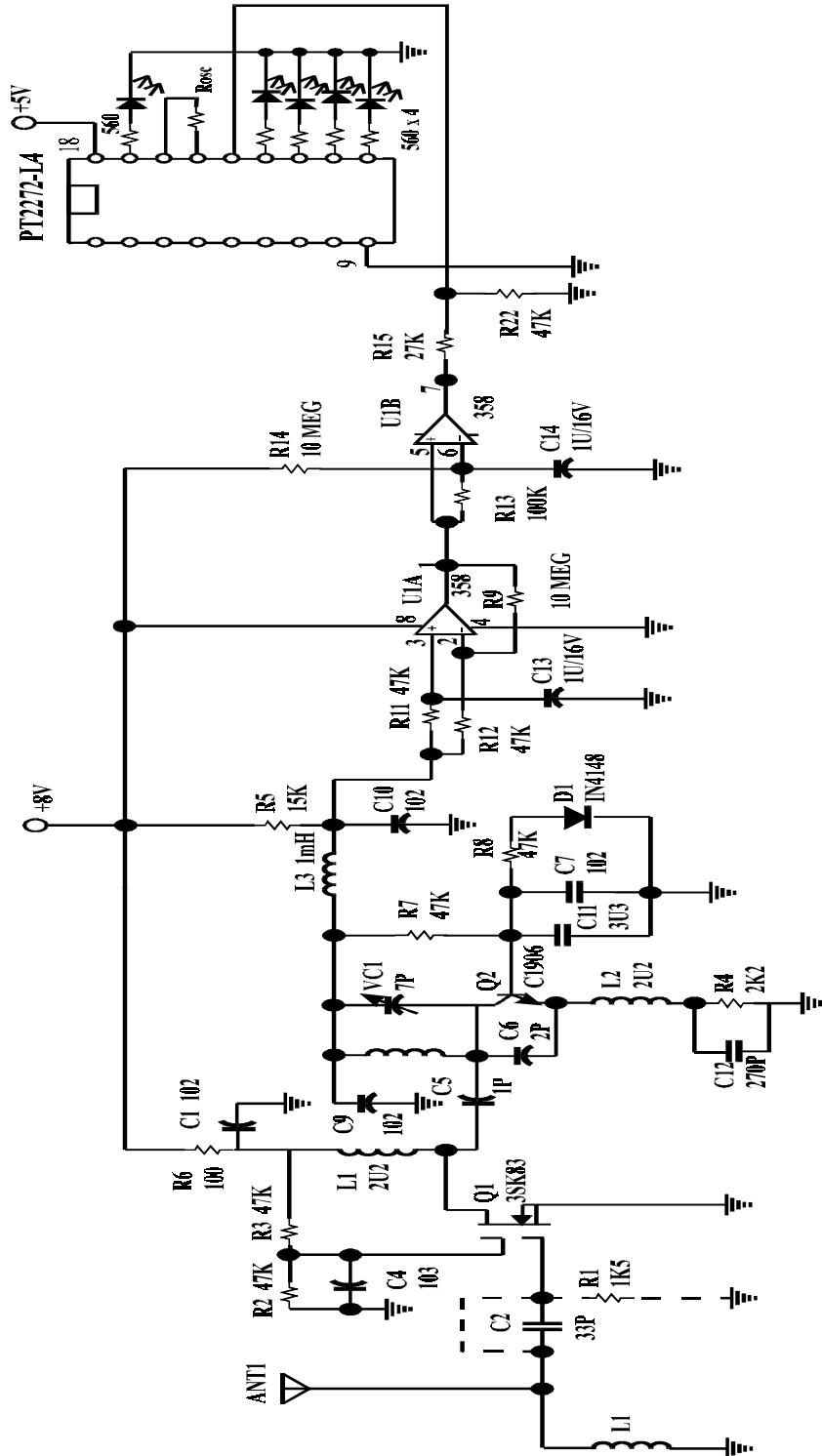
# Application Circuits

## PT2272 (No Data)RF Application



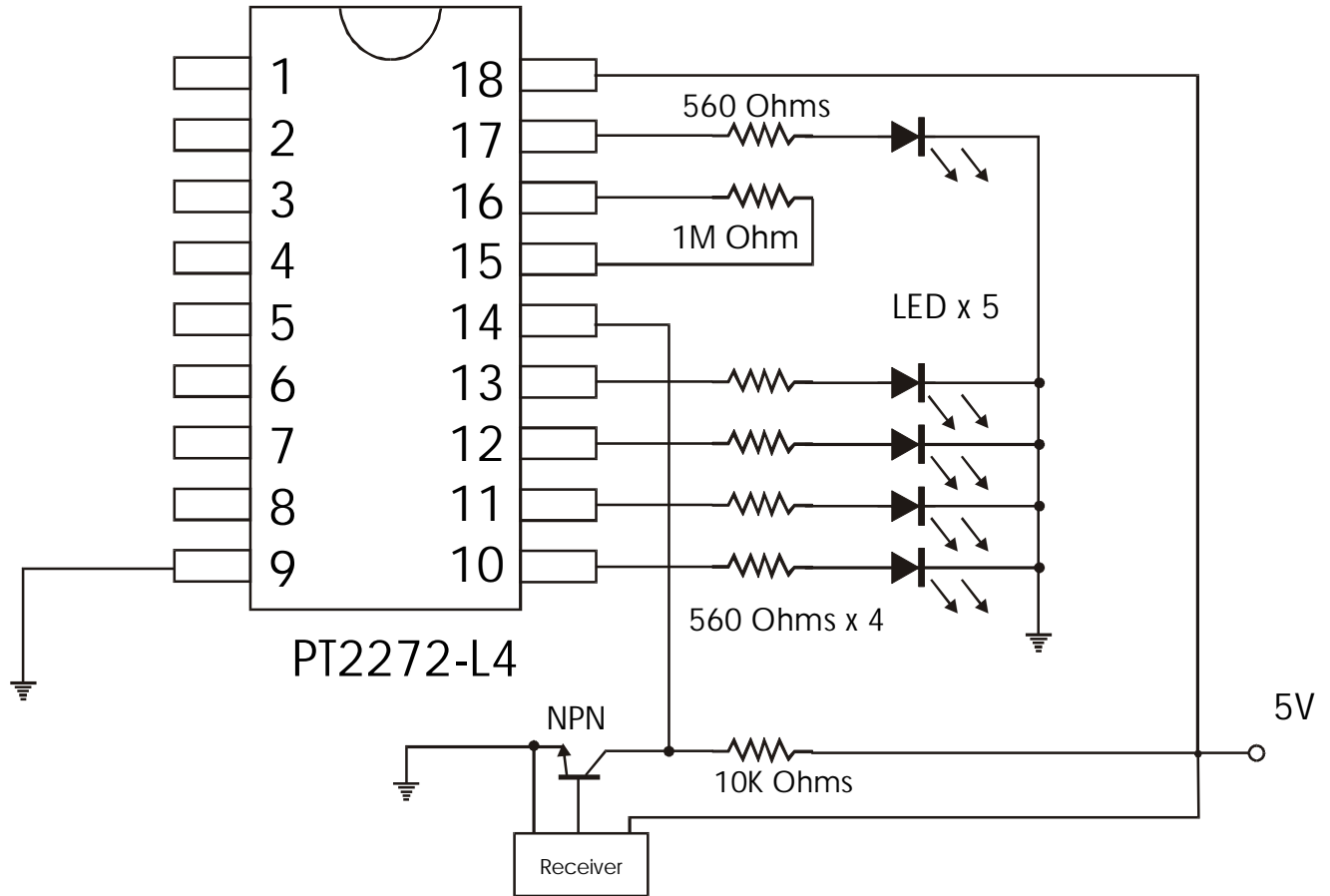


*PT2272 (4 Data) RF Application Circuit*





***PT2272 (4 Data) IR Application Circuit***





## Ordering Information

### A. 18-Pin Package:

| Part No.          | Data Bit(s) | Output Type | Package  |
|-------------------|-------------|-------------|----------|
| PT2272 (-S18)     | None        | *           | DIP (SO) |
| PT2272A-L2 (-S18) | 2           | Latch       | DIP (SO) |
| PT2272A-M2 (-S18) | 2           | Momentary   | DIP (SO) |
| PT2272-L3 (-S18)  | 3           | Latch       | DIP (SO) |
| PT2272-M3 (-S18)  | 3           | Momentary   | DIP (SO) |
| PT2272-L4 (-S18)  | 4           | Latch       | DIP (SO) |
| PT2272-M4 (-S18)  | 4           | Momentary   | DIP (SO) |
| PT2272-L5 (-S18)  | 5           | Latch       | DIP (SO) |
| PT2272-M5 (-S18)  | 5           | Momentary   | DIP (SO) |
| PT2272-L6 (-S18)  | 6           | Latch       | DIP (SO) |
| PT2272-M6 (-S18)  | 6           | Momentary   | DIP (SO) |

### B. 20-Pin Package

| Part No.    | Data Bit(s) | Output Type | Package |
|-------------|-------------|-------------|---------|
| PT2272-S    | None        | *           | SO      |
| PT2272A-L2S | 2           | Latch       | SO      |
| PT2272A-M2S | 2           | Momentary   | SO      |
| PT2272-L3S  | 3           | Latch       | SO      |
| PT2272-M3S  | 3           | Momentary   | SO      |
| PT2272-L4S  | 4           | Latch       | SO      |
| PT2272-M4S  | 4           | Momentary   | SO      |
| PT2272-L5S  | 5           | Latch       | SO      |
| PT2272-M5S  | 5           | Momentary   | SO      |
| PT2272-L6S  | 6           | Latch       | SO      |
| PT2272-M6S  | 6           | Momentary   | SO      |

Note: \* = use VT (Valid Transmission)



PT 2272 X - X X X

