

---



---

## BATTERY PROTECTION IC FOR SINGLE-CELL PACK S-8261 Series

---



---

The S-8261 series are lithium-ion/lithium polymer rechargeable battery protection ICs incorporating high-accuracy voltage detection circuit and delay circuit. The S-8261 series are suitable for protection of single-cell lithium ion/lithium polymer battery packs from overcharge, overdischarge and overcurrent.

### ■ Features

- (1) Internal high accuracy voltage detection circuit
  - Overcharge detection voltage      3.9 V to 4.4 V (applicable in 5 mV step)  
Accuracy:  $\pm 25$  mV (+25°C) and  $\pm 30$  mV (–5°C to +55°C)
  - Overcharge hysteresis voltage      0.0 V to 0.4 V<sup>\*1</sup>      Accuracy:  $\pm 25$  mV  
The overcharge hysteresis voltage can be selected from the range 0.0 V to 0.4 V in 50 mV step.  
\*1. Overcharge release voltage= Overcharge detection voltage – Overcharge hysteresis voltage  
(where overcharge release voltage < 3.8 V is prohibited.)
  - Overdischarge detection voltage      2.0 V to 3.0 V (10 mV step)      Accuracy:  $\pm 50$  mV
  - Overdischarge hysteresis voltage      0.0 V to 0.7 V<sup>\*2</sup>      Accuracy:  $\pm 50$  mV  
The overdischarge hysteresis voltage can be selected from the range 0.0 V to 0.7 V in 100 mV step.  
\*2. Overdischarge release voltage= Overdischarge detection voltage + Overdischarge hysteresis voltage  
(where overdischarge release voltage > 3.4 V is prohibited.)
  - Overcurrent 1 detection voltage      0.05 V to 0.3 V (10 mV step)      Accuracy:  $\pm 15$  mV
  - Overcurrent 2 detection voltage      0.5 V (fixed)      Accuracy:  $\pm 100$  mV
- (2) High voltage device is used for charger connection pins  
(VM and CO pins: absolute maximum rating = 28 V)
- (3) Delay times (overcharge:  $t_{CU}$ , overdischarge:  $t_{DL}$ , overcurrent 1:  $t_{IOV1}$ , overcurrent 2:  $t_{IOV2}$ ) are generated by an internal circuit. No external capacitor is necessary.      Accuracy:  $\pm 20\%$
- (4) Three-step overcurrent detection circuit is included.  
(overcurrent 1, overcurrent 2 and load short-circuiting)
- (5) Either charge function or charge inhibition function for 0 V battery can be selected.
- (6) Charger detection function and abnormal charge current detection function
  - The overdischarge hysteresis is released by detecting negative voltage at the VM pin (–0.7 V typ.).  
(Charger detection function)
  - When the output voltage of the DO pin is high and the voltage at the VM pin is equal to or lower than the charger detection voltage (–0.7 V typ.), the output voltage of the CO pin goes low.  
(Abnormal charge current detection function)
- (7) Low current consumption
  - Operation      3.5  $\mu$ A typ.      7.0  $\mu$ A max.
  - Power-down      0.1  $\mu$ A max.
- (8) Wide operating temperature range: –40°C to +85°C
- (9) Small package      SOT-23-6, 6-Pin SNB(B)

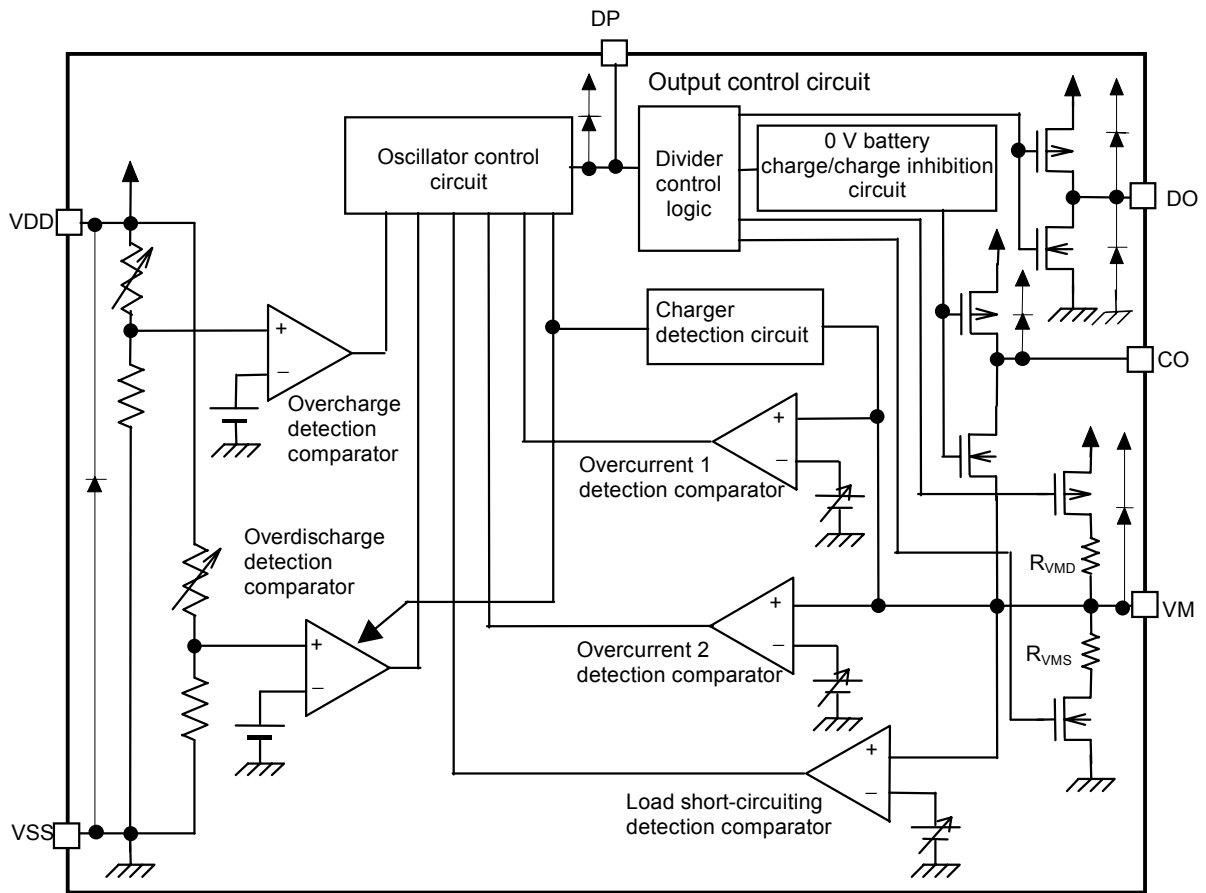
### ■ Applications

- Lithium-ion rechargeable battery packs
- Lithium polymer rechargeable battery packs

### ■ Package

- SOT-23-6      (PKG drawing code: MP006-A)
- 6-Pin SNB(B)      (PKG drawing code: BD006-A)

■ **Block Diagram**

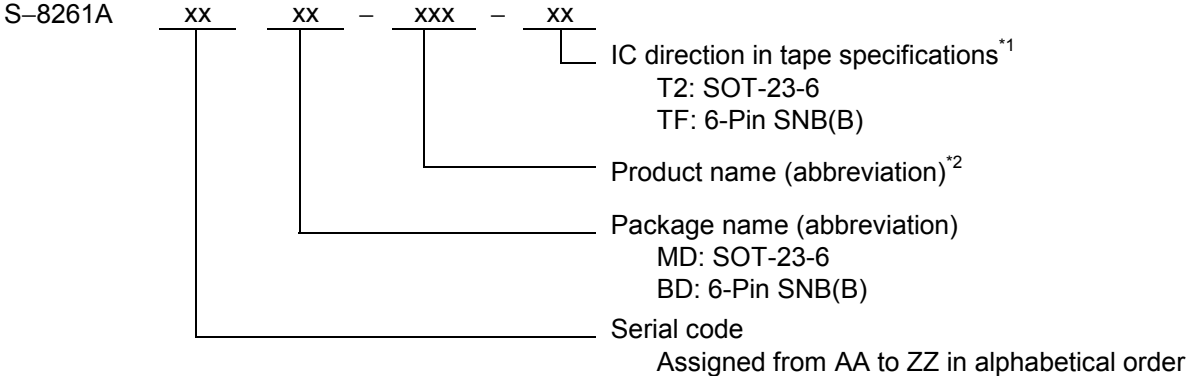


**Remark** Diodes in the figure are parasitic diodes.

**Figure 1 Block Diagram**

■ Selection Guide

1. Product name selection guide



\*1. Refer to the taping specifications at the end of this book.  
\*2. Refer to the product name list.

**2. Product name list**

Model No.	Overcharge detection voltage [V <sub>CU</sub> ]	Overcharge hysteresis voltage [V <sub>HC</sub> ]	Overdischarge detection voltage [V <sub>DL</sub> ]	Overdischarge hysteresis voltage [V <sub>HD</sub> ]	Overcurrent 1 detection voltage [V <sub>IOV1</sub> ]	0 V battery charge function
S-8261AAGMD-G2G-T2	4.28 V	0.2 V	2.3 V	0 V	0.16 V	Available
S-8261AAHMD-G2H-T2	4.28 V	0.2 V	2.3 V	0 V	0.08 V	Available
S-8261AAJBD-G2J-TF	4.325 V	0.25 V	2.5 V	0.4 V	0.15 V	Unavailable
S-8261AAJMD-G2J-T2	4.325 V	0.25 V	2.5 V	0.4 V	0.15 V	Unavailable
S-8261AALMD-G2L-T2	4.30 V	0.1 V	2.3 V	0 V	0.08 V	Unavailable
S-8261AAMMD-G2M-T2	4.30 V	0.1 V	2.3 V	0 V	0.2 V	Unavailable
S-8261AANMD-G2N-T2	4.275 V	0.1 V	2.3 V	0.1 V	0.1 V	Available
S-8261AAOMD-G2O-T2	4.28 V	0.2 V	2.3 V	0 V	0.13 V	Unavailable
S-8261AAPMD-G2P-T2	4.325 V	0.25 V	2.5 V	0.4 V	0.1 V	Unavailable
S-8261AARBD-G2R-TF	4.28 V	0.2 V	2.3 V	0 V	0.1 V	Available
S-8261AARMD-G2R-T2	4.28 V	0.2 V	2.3 V	0 V	0.1 V	Available
S-8261AASMD-G2S-T2	4.28 V	0.2 V	2.3 V	0 V	0.15 V	Unavailable
S-8261AAUMD-G2U-T2	4.275 V	0.1 V	2.3 V	0.1 V	0.1 V	Available
S-8261AAVBD-G2V-TF	4.3 V	0.2 V	2.3 V	0 V	0.13 V	Available
S-8261AAXMD-G2X-T2	4.35 V	0.1 V	2.3 V	0.1 V	0.1 V	Available
S-8261AAZMD-G2Z-T2	4.28 V	0.25 V	2.5 V	0.4 V	0.1 V	Unavailable
S-8261ABAMD-G3A-T2	4.35 V	0.2 V	2.5 V	0 V	0.2 V	Available
S-8261ABBMD-G3B-T2	4.275 V	0.2 V	2.3 V	0 V	0.13 V	Available
S-8261ABCMD-G3C-T2	4.30 V	0.2 V	2.3 V	0 V	0.13 V	Available
S-8261ABDBD-G3D-TF	4.28 V	0.2 V	2.3 V	0 V	0.13 V	Available
S-8261ABEBD-G3E-TF	4.275 V	0.2 V	2.3 V	0 V	0.1 V	Available
S-8261ABGBD-G3G-TF	4.275 V	0.2 V	2.3 V	0 V	0.1 V	Unavailable
S-8261ABHBD-G3H-TF	4.20 V	0 V	2.3 V	0 V	0.1 V	Available
S-8261ABIBD-G3I-TF	4.275 V	0.2 V	2.3 V	0 V	0.2 V	Unavailable
S-8261ABJMD-G3J-T2	4.28 V	0.2 V	3.0 V	0 V	0.08 V	Available

Model No.	Overcharge detection delay time	Overdischarge detection delay time	Overcurrent 1 detection delay time
S-8261AAGMD-G2G-T2	1.2 s	144 ms	9 ms
S-8261AAHMD-G2H-T2	1.2 s	144 ms	9 ms
S-8261AAJBD-G2J-TF	1.2 s	144 ms	9 ms
S-8261AAJMD-G2J-T2	1.2 s	144 ms	9 ms
S-8261AALMD-G2L-T2	1.2 s	144 ms	9 ms
S-8261AAMMD-G2M-T2	1.2 s	144 ms	9 ms
S-8261AANMD-G2N-T2	1.2 s	144 ms	9 ms
S-8261AAOMD-G2O-T2	1.2 s	144 ms	9 ms
S-8261AAPMD-G2P-T2	1.2 s	144 ms	9 ms
S-8261AARBD-G2R-TF	1.2 s	144 ms	9 ms
S-8261AARMD-G2R-T2	1.2 s	144 ms	9 ms
S-8261AASMD-G2S-T2	1.2 s	144 ms	4.5 ms
S-8261AAUMD-G2U-T2	4.6 s	144 ms	9 ms
S-8261AAVBD-G2V-TF	4.6 s	144 ms	9 ms
S-8261AAXMD-G2X-T2	4.6 s	144 ms	9 ms
S-8261AAZMD-G2Z-T2	1.2 s	144 ms	9 ms
S-8261ABAMD-G3A-T2	4.6 s	144 ms	9 ms
S-8261ABBMD-G3B-T2	1.2 s	144 ms	9 ms
S-8261ABCMD-G3C-T2	1.2 s	144 ms	9 ms
S-8261ABDBD-G3D-TF	1.84 s	115 ms	7.2 ms
S-8261ABEBD-G3E-TF	1.2 s	144 ms	9 ms
S-8261ABGBD-G3G-TF	1.2 s	36 ms	9 ms
S-8261ABHBD-G3H-TF	0.3 s	36 ms	18 ms
S-8261ABIBD-G3I-TF	1.2 s	36 ms	9 ms
S-8261ABJMD-G3J-T2	1.2 s	36 ms	9 ms

It is possible to change the detection voltages of the product other than above.  
 The delay times can also be changed within the range listed below.  
 For details, please contact our sales office.

Delay time	Symbol	Selection range			Remarks
Overcharge detection delay time	t <sub>CU</sub>	0.15 s	<b>1.2 s</b>	4.6 s	Choose from the left.
Overdischarge detection delay time	t <sub>DL</sub>	36 ms	<b>144 ms</b>	290 ms	Choose from the left.
Overcurrent 1 detection delay time	t <sub>IOV1</sub>	4.5 ms	<b>9 ms</b>	18 ms	Choose from the left.

**Remark** Values surrounded by bold lines are used in standard products.

■ Pin Assignment

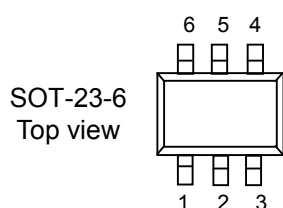


Figure 2

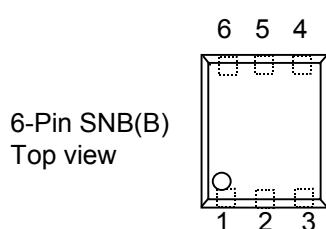


Figure 3

Pin No.	Symbol	Description
1	DO	FET gate control pin for discharge (CMOS output)
2	VM	Voltage detection pin between VM and VSS (Overcurrent detection pin)
3	CO	FET gate control pin for charge (CMOS output)
4	DP	Test pin for delay time measurement
5	VDD	Positive power input pin
6	VSS	Negative power input pin

Pin No.	Symbol	Description
1	CO	FET gate control pin for charge (CMOS output)
2	VM	Voltage detection pin between VM and VSS (Overcurrent detection pin)
3	DO	FET gate control pin for discharge (CMOS output)
4	VSS	Negative power input pin
5	DP	Test pin for delay time measurement
6	VDD	Positive power input pin

■ Absolute Maximum Ratings

(Ta= 25°C unless otherwise specified)

Parameter	Symbol	Applied pin	Rating	Unit
Input voltage between VDD and VSS <sup>*1</sup>	V <sub>DS</sub>	VDD	V <sub>SS</sub> -0.3 to V <sub>SS</sub> +12	V
Input pin voltage for VM	V <sub>VM</sub>	VM	V <sub>DD</sub> -28 to V <sub>DD</sub> +0.3	V
Output pin voltage for CO	V <sub>CO</sub>	CO	V <sub>VM</sub> -0.3 to V <sub>DD</sub> +0.3	V
Output pin voltage for DO	V <sub>DO</sub>	DO	V <sub>SS</sub> -0.3 to V <sub>DD</sub> +0.3	V
Power dissipation	SOT-23-6	P <sub>D</sub>	250	mW
	6-pin SNB(B)	P <sub>D</sub>	90	mW
Operating temperature range	T <sub>opr</sub>	—	-40 to +85	°C
Storage temperature range	T <sub>stg</sub>	—	-55 to +125	°C

**Caution** The absolute maximum ratings are rated values exceeding which the product could suffer physical damage. These values must therefore not be exceeded under any conditions.

\*1. Do not apply pulse-like noise of μs order exceeding the above input voltage (V<sub>SS</sub>+12 V). The noise causes damage to the IC.

■ **Electrical Characteristics (1) Except detection delay time (25°C)**

(Ta= 25°C unless otherwise specified)

Parameter	Symbol	Measurement condition	Remark	Min.	Typ.	Max.	Unit	Measurement circuit
<b>DETECTION VOLTAGE</b>								
Overcharge detection voltage V <sub>CU</sub> =3.9 V to 4.4 V, 5 mV Step	V <sub>CU</sub>	1	—	V <sub>CU</sub> -0.025	V <sub>CU</sub>	V <sub>CU</sub> +0.025	V	1
			Ta= -5°C to 55°C*1	V <sub>CU</sub> -0.030	V <sub>CU</sub>	V <sub>CU</sub> +0.030		
Overcharge hysteresis voltage V <sub>HC</sub> =0.0 V to 0.4 V, 50 mV Step	V <sub>HC</sub>	1	—	V <sub>HC</sub> -0.025	V <sub>HC</sub>	V <sub>HC</sub> +0.025	V	1
Overdischarge detection voltage V <sub>DL</sub> =2.0 V to 3.0 V, 10 mV Step	V <sub>DL</sub>	2	—	V <sub>DL</sub> -0.050	V <sub>DL</sub>	V <sub>DL</sub> +0.050	V	2
Overdischarge hysteresis voltage V <sub>HD</sub> =0.0 V to 0.7 V, 100 mV Step	V <sub>HD</sub>	2	—	V <sub>HD</sub> -0.050	V <sub>HD</sub>	V <sub>HD</sub> +0.050	V	2
Overcurrent 1 detection voltage V <sub>IOV1</sub> =0.05 V to 0.3 V, 10 mV Step	V <sub>IOV1</sub>	3	—	V <sub>IOV1</sub> -0.015	V <sub>IOV1</sub>	V <sub>IOV1</sub> +0.015	V	2
Overcurrent 2 detection voltage	V <sub>IOV2</sub>	3	—	0.4	0.5	0.6	V	2
Load short-circuiting detection voltage	V <sub>SHORT</sub>	3	—	0.9	1.2	1.5	V	2
Charger detection voltage	V <sub>CHA</sub>	4	—	-1.0	-0.7	-0.4	V	2
<b>INPUT VOLTAGE, OPERATION VOLTAGE</b>								
Operation voltage between VDD and VSS	V <sub>DSOP1</sub>	—	Internal circuit operating voltage	1.5	—	8	V	—
Operation voltage between VDD and VM	V <sub>DSOP2</sub>	—	Internal circuit operating voltage	1.5	—	28	V	—
<b>CURRENT CONSUMPTION</b>								
Current consumption in normal operation	I <sub>OPE</sub>	5	V <sub>DD</sub> =3.5 V, V <sub>VM</sub> =0 V	1.0	3.5	7.0	μA	2
Current consumption at power down	I <sub>PDN</sub>	5	V <sub>DD</sub> =V <sub>VM</sub> =1.5 V	—	—	0.1	μA	2
<b>OUTPUT RESISTANCE</b>								
CO pin H resistance	R <sub>COH</sub>	7	V <sub>CO</sub> =3.0 V, V <sub>DD</sub> =3.5 V, V <sub>VM</sub> =0 V	2.5	5	10	kΩ	4
CO pin L resistance	R <sub>COL</sub>	7	V <sub>CO</sub> =0.5 V, V <sub>DD</sub> =4.5 V, V <sub>VM</sub> =0 V	2.5	5	10	kΩ	4
DO pin H resistance	R <sub>DOH</sub>	8	V <sub>DO</sub> =3.0 V, V <sub>DD</sub> =3.5 V, V <sub>VM</sub> =0 V	2.5	5	10	kΩ	4
DO pin L resistance	R <sub>DOL</sub>	8	V <sub>DO</sub> =0.5 V, V <sub>DD</sub> =V <sub>VM</sub> =1.8 V	2.5	5	10	kΩ	4
<b>VM INTERNAL RESISTANCE</b>								
Internal resistance between VM and VDD	R <sub>VMID</sub>	6	V <sub>DD</sub> =1.8 V, V <sub>VM</sub> =0 V	100	300	900	kΩ	3
Internal resistance between VM and VSS	R <sub>VMIS</sub>	6	V <sub>DD</sub> = 3.5 V, V <sub>VM</sub> =1.0 V	10	20	40	kΩ	3
<b>0 V BATTERY CHARGING FUNCTION</b>								
0 V battery charge starting charger voltage	V <sub>OCHA</sub>	11	0 V battery charging available	1.2	—	—	V	2
0 V battery charge inhibition battery voltage	V <sub>OINH</sub>	12	0 V battery charging unavailable	—	—	0.5	V	2

\*1. Since products are not screened at low and high temperature, the specification for this temperature range is guaranteed by design, not tested in production.

# BATTERY PROTECTION IC for SINGLE-CELL PACK S-8261 Series

Rev.1.4\_10

## ■ Electrical Characteristics (2) Except detection delay time (−40 to +85°C\*1)

(Ta = −40 to +85°C\*1 unless otherwise specified)

Parameter	Symbol	Measurement condition	Remark	Min.	Typ.	Max.	Unit	Measurement circuit
<b>DETECTION VOLTAGE</b>								
Overcharge detection voltage V <sub>CU</sub> =3.9 V to 4.4 V, 5 mV Step	V <sub>CU</sub>	1	—	V <sub>CU</sub> −0.055	V <sub>CU</sub>	V <sub>CU</sub> +0.040	V	1
Overcharge hysteresis voltage V <sub>HC</sub> =0.0 V to 0.4 V, 50 mV Step	V <sub>HC</sub>	1	—	V <sub>HC</sub> −0.025	V <sub>HC</sub>	V <sub>HC</sub> +0.025	V	1
Overdischarge detection voltage V <sub>DL</sub> =2.0 V to 3.0 V, 10 mV Step	V <sub>DL</sub>	2	—	V <sub>DL</sub> −0.080	V <sub>DL</sub>	V <sub>DL</sub> +0.080	V	2
Overdischarge hysteresis voltage V <sub>HD</sub> =0.0 V to 0.7 V, 100 mV Step	V <sub>HD</sub>	2	—	V <sub>HD</sub> −0.050	V <sub>HD</sub>	V <sub>HD</sub> +0.050	V	2
Overcurrent 1 detection voltage V <sub>IOV1</sub> =0.05 V to 0.3 V, 10 mV Step	V <sub>IOV1</sub>	3	—	V <sub>IOV1</sub> −0.021	V <sub>IOV1</sub>	V <sub>IOV1</sub> +0.021	V	2
Overcurrent 2 detection voltage	V <sub>IOV2</sub>	3	—	0.37	0.5	0.63	V	2
Load short-circuiting detection voltage	V <sub>SHORT</sub>	3	—	0.7	1.2	1.7	V	2
Charger detection voltage	V <sub>CHA</sub>	4	—	−1.2	−0.7	−0.2	V	2
<b>INPUT VOLTAGE, OPERATION VOLTAGE</b>								
Operation voltage between VDD and VSS	V <sub>DSOP1</sub>	—	Internal circuit operating voltage	1.5	—	8	V	—
Operation voltage between VDD and VM	V <sub>DSOP2</sub>	—	Internal circuit operating voltage	1.5	—	28	V	—
<b>CURRENT CONSUMPTION</b>								
Current consumption in normal operation	I <sub>OPE</sub>	5	V <sub>DD</sub> =3.5 V, V <sub>VM</sub> =0 V	0.7	3.5	8.0	μA	2
Current consumption at power down	I <sub>PDN</sub>	5	V <sub>DD</sub> =V <sub>VM</sub> =1.5 V	—	—	0.1	μA	2
<b>OUTPUT RESISTANCE</b>								
CO pin H resistance	R <sub>COH</sub>	7	V <sub>CO</sub> =3.0 V, V <sub>DD</sub> =3.5 V, V <sub>VM</sub> =0 V	1.2	5	15	kΩ	4
CO pin L resistance	R <sub>COL</sub>	7	V <sub>CO</sub> =0.5 V, V <sub>DD</sub> =4.5 V, V <sub>VM</sub> =0 V	1.2	5	15	kΩ	4
DO pin H resistance	R <sub>DOH</sub>	8	V <sub>DO</sub> =3.0 V, V <sub>DD</sub> =3.5 V, V <sub>VM</sub> =0 V	1.2	5	15	kΩ	4
DO pin L resistance	R <sub>DOL</sub>	8	V <sub>DO</sub> =0.5 V, V <sub>DD</sub> =V <sub>VM</sub> =1.8 V	1.2	5	15	kΩ	4
<b>VM INTERNAL RESISTANCE</b>								
Internal resistance between VM and VDD	R <sub>VMD</sub>	6	V <sub>DD</sub> =1.8 V, V <sub>VM</sub> =0 V	78	300	1310	kΩ	3
Internal resistance between VM and VSS	R <sub>VMS</sub>	6	V <sub>DD</sub> =3.5 V, V <sub>VM</sub> =1.0 V	7.2	20	44	kΩ	3
<b>0 V BATTERY CHARGING FUNCTION</b>								
0 V battery charge starting charger voltage	V <sub>OCHA</sub>	11	0 V battery charging available	1.7	—	—	V	2
0 V battery charge inhibition battery voltage	V <sub>OINH</sub>	12	0 V battery charging unavailable	—	—	0.3	V	2

\*1. Since products are not screened at low and high temperature, the specification for this temperature range is guaranteed by design, not tested in production.

■ **Electrical Characteristics (3) Detection delay time (1/2)**

S-8261AAG, S-8261AAH, S-8261AAJ, S-8261AAL, S-8261AAM, S-8261AAN, S-8261AAO, S-8261AAP, S-8261AAR, S-8261AAZ,  
 S-8261ABB, S-8261ABC, S-8261ABE, S-8261ABJ

Parameter	Symbol	Measurement condition	Remark	Min.	Typ.	Max.	Unit	Measurement circuit
<b>DELAY TIME (25°C)</b>								
Overcharge detection delay time	t <sub>CU</sub>	9	—	0.96	1.2	1.4	s	5
Overdischarge detection delay time	t <sub>DL</sub>	9	—	115	144	173	ms	5
Overcurrent 1 detection delay time	t <sub>IOV1</sub>	10	—	7.2	9	11	ms	5
Overcurrent 2 detection delay time	t <sub>IOV2</sub>	10	—	1.8	2.24	2.7	ms	5
Load short-circuiting detection delay time	t <sub>SHORT</sub>	10	—	220	320	380	μs	5
<b>DELAY TIME (-40°C to +85°C)<sup>*1</sup></b>								
Overcharge detection delay time	t <sub>CU</sub>	9	—	0.7	1.2	2.0	s	5
Overdischarge detection delay time	t <sub>DL</sub>	9	—	80	144	245	ms	5
Overcurrent 1 detection delay time	t <sub>IOV1</sub>	10	—	5	9	15	ms	5
Overcurrent 2 detection delay time	t <sub>IOV2</sub>	10	—	1.2	2.24	3.8	ms	5
Load short-circuiting detection delay time	t <sub>SHORT</sub>	10	—	150	320	540	μs	5

S-8261AAS

Parameter	Symbol	Measurement condition	Remark	Min.	Typ.	Max.	Unit	Measurement circuit
<b>DELAY TIME (25°C)</b>								
Overcharge detection delay time	t <sub>CU</sub>	9	—	0.96	1.2	1.4	s	5
Overdischarge detection delay time	t <sub>DL</sub>	9	—	115	144	173	ms	5
Overcurrent 1 detection delay time	t <sub>IOV1</sub>	10	—	3.6	4.5	5.4	ms	5
Overcurrent 2 detection delay time	t <sub>IOV2</sub>	10	—	1.8	2.24	2.7	ms	5
Load short-circuiting detection delay time	t <sub>SHORT</sub>	10	—	220	320	380	μs	5
<b>DELAY TIME (-40°C to +85°C)<sup>*1</sup></b>								
Overcharge detection delay time	t <sub>CU</sub>	9	—	0.7	1.2	2.0	s	5
Overdischarge detection delay time	t <sub>DL</sub>	9	—	80	144	245	ms	5
Overcurrent 1 detection delay time	t <sub>IOV1</sub>	10	—	2.5	4.5	7.7	ms	5
Overcurrent 2 detection delay time	t <sub>IOV2</sub>	10	—	1.2	2.24	3.8	ms	5
Load short-circuiting detection delay time	t <sub>SHORT</sub>	10	—	150	320	540	μs	5

S-8261AAU, S-8261AAX, S-8261ABA

Parameter	Symbol	Measurement condition	Remark	Min.	Typ.	Max.	Unit	Measurement circuit
<b>DELAY TIME (25°C)</b>								
Overcharge detection delay time	t <sub>CU</sub>	9	—	3.7	4.6	5.5	s	5
Overdischarge detection delay time	t <sub>DL</sub>	9	—	115	144	173	ms	5
Overcurrent 1 detection delay time	t <sub>IOV1</sub>	10	—	7.2	9	11	ms	5
Overcurrent 2 detection delay time	t <sub>IOV2</sub>	10	—	1.8	2.24	2.7	ms	5
Load short-circuiting detection delay time	t <sub>SHORT</sub>	10	—	220	320	380	μs	5
<b>DELAY TIME (-40°C to +85°C)<sup>*1</sup></b>								
Overcharge detection delay time	t <sub>CU</sub>	9	—	2.5	4.6	7.8	s	5
Overdischarge detection delay time	t <sub>DL</sub>	9	—	80	144	245	ms	5
Overcurrent 1 detection delay time	t <sub>IOV1</sub>	10	—	5	9	15	ms	5
Overcurrent 2 detection delay time	t <sub>IOV2</sub>	10	—	1.2	2.24	3.8	ms	5
Load short-circuiting detection delay time	t <sub>SHORT</sub>	10	—	150	320	540	μs	5

S-8261AAV

Parameter	Symbol	Measurement condition	Remark	Min.	Typ.	Max.	Unit	Measurement circuit
<b>DELAY TIME (25°C)</b>								
Overcharge detection delay time	t <sub>CU</sub>	9	—	3.7	4.6	5.5	s	5
Overdischarge detection delay time	t <sub>DL</sub>	9	—	115	144	173	ms	5
Overcurrent 1 detection delay time	t <sub>IOV1</sub>	10	—	7.2	9	11	ms	5
Overcurrent 2 detection delay time	t <sub>IOV2</sub>	10	—	3.6	4.5	5.4	ms	5
Load short-circuiting detection delay time	t <sub>SHORT</sub>	10	—	450	600	720	μs	5
<b>DELAY TIME (-40°C to +85°C)<sup>*1</sup></b>								
Overcharge detection delay time	t <sub>CU</sub>	9	—	2.5	4.6	7.8	s	5
Overdischarge detection delay time	t <sub>DL</sub>	9	—	80	144	245	ms	5
Overcurrent 1 detection delay time	t <sub>IOV1</sub>	10	—	5	9	15	ms	5
Overcurrent 2 detection delay time	t <sub>IOV2</sub>	10	—	2.5	4.5	7.7	ms	5
Load short-circuiting detection delay time	t <sub>SHORT</sub>	10	—	310	600	1020	μs	5

\*1. Since products are not screened at low and high temperature, the specification for this temperature range is guaranteed by design, not tested in production.



# BATTERY PROTECTION IC for SINGLE-CELL PACK S-8261 Series

Rev.1.4\_10

## ■ Electrical Characteristics (3) Detection delay time (2/2)

S-8261ABD

Parameter	Symbol	Measurement condition	Remark	Min.	Typ.	Max.	Unit	Measurement circuit
<b>DELAY TIME (25°C)</b>								
Overcharge detection delay time	$t_{CU}$	9	—	1.48	1.84	2.2	s	5
Overdischarge detection delay time	$t_{DL}$	9	—	92	115	138	ms	5
Overcurrent 1 detection delay time	$t_{IOV1}$	10	—	5.76	7.2	8.8	ms	5
Overcurrent 2 detection delay time	$t_{IOV2}$	10	—	2.88	3.6	4.32	ms	5
Load short-circuiting detection delay time	$t_{SHORT}$	10	—	358	488	586	μs	5
<b>DELAY TIME (-20°C to +70°C)<sup>*1</sup></b>								
Overcharge detection delay time	$t_{CU}$	9	—	1.11	1.84	2.89	s	5
Overdischarge detection delay time	$t_{DL}$	9	—	68.9	115	182.3	ms	5
Overcurrent 1 detection delay time	$t_{IOV1}$	10	—	4.31	7.2	11.59	ms	5
Overcurrent 2 detection delay time	$t_{IOV2}$	10	—	2.16	3.6	5.68	ms	5
Load short-circuiting detection delay time	$t_{SHORT}$	10	—	268	488	770	μs	5

S-8261ABG, S-8261ABI

Parameter	Symbol	Measurement condition	Remark	Min.	Typ.	Max.	Unit	Measurement circuit
<b>DELAY TIME (25°C)</b>								
Overcharge detection delay time	$t_{CU}$	9	—	0.96	1.2	1.4	s	5
Overdischarge detection delay time	$t_{DL}$	9	—	29	36	43	ms	5
Overcurrent 1 detection delay time	$t_{IOV1}$	10	—	7.2	9	11	ms	5
Overcurrent 2 detection delay time	$t_{IOV2}$	10	—	1.8	2.24	2.7	ms	5
Load short-circuiting detection delay time	$t_{SHORT}$	10	—	220	320	380	μs	5
<b>DELAY TIME (-40°C to +85°C)<sup>*1</sup></b>								
Overcharge detection delay time	$t_{CU}$	9	—	0.7	1.2	2.0	s	5
Overdischarge detection delay time	$t_{DL}$	9	—	20	36	61	ms	5
Overcurrent 1 detection delay time	$t_{IOV1}$	10	—	5	9	15	ms	5
Overcurrent 2 detection delay time	$t_{IOV2}$	10	—	1.2	2.24	3.8	ms	5
Load short-circuiting detection delay time	$t_{SHORT}$	10	—	150	320	540	μs	5

S-8261ABH

Parameter	Symbol	Measurement condition	Remark	Min.	Typ.	Max.	Unit	Measurement circuit
<b>DELAY TIME (25°C)</b>								
Overcharge detection delay time	$t_{CU}$	9	—	0.24	0.3	0.36	s	5
Overdischarge detection delay time	$t_{DL}$	9	—	29	36	43	ms	5
Overcurrent 1 detection delay time	$t_{IOV1}$	10	—	14	18	22	ms	5
Overcurrent 2 detection delay time	$t_{IOV2}$	10	—	1.8	2.24	2.7	ms	5
Load short-circuiting detection delay time	$t_{SHORT}$	10	—	220	320	380	μs	5
<b>DELAY TIME (-40°C to +85°C)<sup>*1</sup></b>								
Overcharge detection delay time	$t_{CU}$	9	—	0.17	0.3	0.51	s	5
Overdischarge detection delay time	$t_{DL}$	9	—	20	36	61	ms	5
Overcurrent 1 detection delay time	$t_{IOV1}$	10	—	10	18	31	ms	5
Overcurrent 2 detection delay time	$t_{IOV2}$	10	—	1.2	2.24	3.8	ms	5
Load short-circuiting detection delay time	$t_{SHORT}$	10	—	150	320	540	μs	5

\*1. Since products are not screened at low and high temperature, the specification for this temperature range is guaranteed by design, not tested in production.

## ■ Measurement Circuits

Unless otherwise specified, the output voltage levels "H" and "L" at CO and DO pins are judged by the threshold voltage (1.0 V) of the N channel FET. Judge the CO pin level with respect to  $V_{VM}$  and the DO pin level with respect to  $V_{SS}$ .

### (1) Measurement Condition 1, Measurement Circuit 1

⟨⟨ Overcharge detection voltage, Overcharge hysteresis voltage ⟩⟩

The overcharge detection voltage ( $V_{CU}$ ) is defined by the voltage between VDD and VSS at which  $V_{CO}$  goes "L" from "H" when the voltage V1 is gradually increased from the starting condition  $V1=3.5$  V.

The overcharge hysteresis voltage ( $V_{HC}$ ) is then defined by the difference between the overcharge detection voltage ( $V_{CU}$ ) and the voltage between VDD and VSS at which  $V_{CO}$  goes "H" from "L" when the voltage V1 is gradually decreased.

### (2) Measurement Condition 2, Measurement Circuit 2

⟨⟨ Overdischarge detection voltage, Overdischarge hysteresis voltage ⟩⟩

The overdischarge detection voltage ( $V_{DL}$ ) is defined by the voltage between VDD and VSS at which  $V_{DO}$  goes "L" from "H" when the voltage V1 is gradually decreased from the starting condition  $V1=3.5$  V and  $V2=0$  V. The overdischarge hysteresis voltage ( $V_{HD}$ ) is then defined by the difference between the overdischarge detection voltage ( $V_{DL}$ ) and the voltage between VDD and VSS at which  $V_{DO}$  goes "H" from "L" when the voltage V1 is gradually increased.

### (3) Measurement Condition 3, Measurement Circuit 2

⟨⟨ Overcurrent 1 detection voltage, Overcurrent 2 detection voltage, Load short-circuiting detection voltage ⟩⟩

The overcurrent 1 detection voltage is defined by the voltage between VM and VSS whose delay time for changing  $V_{DO}$  from "H" to "L" lies between the minimum and the maximum value of the overcurrent 1 detection delay time when the voltage V2 is increased rapidly within 10  $\mu$ s from the starting condition  $V1=3.5$  V and  $V2=0$  V.

The overcurrent 2 detection voltage is defined by the voltage between VM and VSS whose delay time for changing  $V_{DO}$  from "H" to "L" lies between the minimum and the maximum value of the overcurrent 2 detection delay time when the voltage V2 is increased rapidly within 10  $\mu$ s from the starting condition  $V1=3.5$  V and  $V2=0$  V.

The load short-circuiting detection voltage is defined by the voltage between VM and VSS whose delay time for changing  $V_{DO}$  from "H" to "L" lies between the minimum and the maximum value of the load short-circuiting detection delay time when the voltage V2 is increased rapidly within 10  $\mu$ s from the starting condition  $V1=3.5$  V and  $V2=0$  V.

### (4) Measurement Condition 4, Measurement Circuit 2

⟨⟨ Charger detection voltage, abnormal charge current detection voltage ⟩⟩

Set  $V1=1.8$  V and  $V2=0$  V. Increase V1 gradually until  $V1=V_{DL}+(V_{HD}/2)$ , then decrease V2 from 0 V gradually. The voltage between VM and VSS when  $V_{DO}$  goes "H" from "L" is the charger detection voltage ( $V_{CHA}$ ). Charger detection voltage can be measured only in the product whose overdischarge hysteresis  $V_{HD} \neq 0$ .

Set  $V1=3.5$  V and  $V2=0$  V. Decrease V2 from 0 V gradually. The voltage between VM and VSS when  $V_{CO}$  goes "L" from "H" is the abnormal charge current detection voltage. The abnormal charge current detection voltage has the same value as the charger detection voltage ( $V_{CHA}$ ).

**(5) Measurement Condition 5, Measurement Circuit 2**

⟨⟨ Normal operation current consumption, Power-down current consumption ⟩⟩

Set V1=3.5 V and V2=0 V under normal condition. The current  $I_{DD}$  flowing through VDD pin is the normal operation consumption current ( $I_{OPE}$ ).

Set V1=V2=1.5 V under overdischarge condition. The current  $I_{DD}$  flowing through VDD pin is the power-down current consumption ( $I_{PDN}$ ).

**(6) Measurement Condition 6, Measurement Circuit 3**

⟨⟨ Internal resistance between VM and VDD, Internal resistance between VM and VSS ⟩⟩

Set V1=1.8 V and V2=0 V. The resistance between VM and VDD is the internal resistance ( $R_{VMD}$ ) between VM and VDD.

Set V1=3.5 V and V2=1.0 V. The resistance between VM and VSS is the internal resistance ( $R_{VMS}$ ) between VM and VSS.

**(7) Measurement Condition 7, Measurement Circuit 4**

⟨⟨ CO pin H resistance, CO pin L resistance ⟩⟩

Set V1=3.5 V, V2=0 V and V3=3.0 V. CO pin resistance is the CO pin H resistance ( $R_{COH}$ ).

Set V1=4.5 V, V2=0 V and V3=0.5 V. CO pin resistance is the CO pin L resistance ( $R_{COL}$ ).

**(8) Measurement Condition 8, Measurement Circuit 4**

⟨⟨ DO pin H resistance, DO pin L resistance ⟩⟩

Set V1=3.5 V, V2=0 V and V4=3.0 V. DO pin resistance is the DO pin H resistance ( $R_{DOH}$ ).

Set V1=1.8 V, V2=0 V and V4=0.5 V. DO pin resistance is the DO pin L resistance ( $R_{DOL}$ ).

**(9) Measurement Condition 9, Measurement Circuit 5**

⟨⟨ Overcharge detection delay time, Overdischarge detection delay time ⟩⟩

The overcharge detection delay time ( $t_{CU}$ ) is the time needed for  $V_{CO}$  to change from "H" to "L" just after the V1 rapid increase within 10  $\mu$ s from the overcharge detection voltage ( $V_{CU}$ ) – 0.2 V to the overcharge detection voltage ( $V_{CU}$ ) + 0.2 V in the condition V2=0 V.

The overdischarge detection delay time ( $t_{DL}$ ) is the time needed for  $V_{DO}$  to change from "H" to "L" just after the V1 rapid decrease within 10  $\mu$ s from the overdischarge detection voltage ( $V_{DL}$ )+0.2 V to the overdischarge detection voltage ( $V_{DL}$ ) – 0.2 V in the condition V2=0 V.

**(10) Measurement Condition 10, Measurement Circuit 5**

⟨⟨ Overcurrent 1 detection delay time, Overcurrent 2 detection delay time, Load short-circuiting detection delay time, Abnormal charge current detection delay time ⟩⟩

Set V1=3.5 V and V2=0 V. Increase V2 from 0 V to 0.35 V momentarily (within 10  $\mu$ s). The time needed for  $V_{DO}$  to go "L" is overcurrent 1 detection delay time ( $t_{IOV1}$ ).

Set V1=3.5 V and V2=0 V. Increase V2 from 0 V to 0.7 V momentarily (within 10  $\mu$ s). The time needed for  $V_{DO}$  to go "L" is overcurrent 2 detection delay time ( $t_{IOV2}$ ).

Set V1=3.5 V and V2=0 V. Increase V2 from 0 V to 1.6 V momentarily (within 10  $\mu$ s). The time needed for  $V_{DO}$  to go "L" is the load short-circuiting detection delay time ( $t_{SHORT}$ ).

Set V1=3.5 V and V2=0 V. Decrease V2 from 0 V to –1.1 V momentarily (within 10  $\mu$ s). The time needed for  $V_{CO}$  to go "L" is the abnormal charge current detection delay time. The abnormal charge current detection delay time has the same value as the overcharge detection delay time.

**(11) Measurement Condition 11, Measurement Circuit 2 (Product with 0 V battery charge function)**

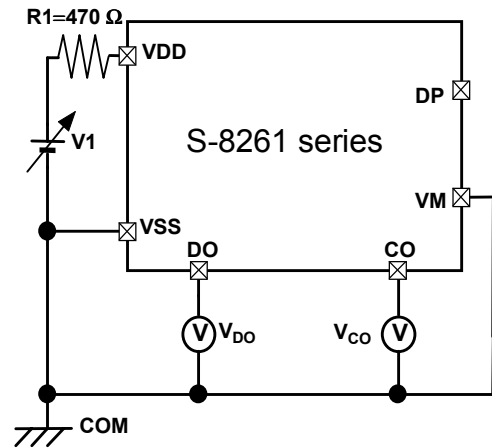
⟨⟨ 0 V battery charge starting charger voltage ⟩⟩

Set V1=V2=0 V and decrease V2 gradually. The voltage between VDD and VM when  $V_{CO}$  goes "H" ( $V_{VM} + 0.1$  V or higher) is the 0 V battery charge starting charger voltage ( $V_{0CHA}$ ).

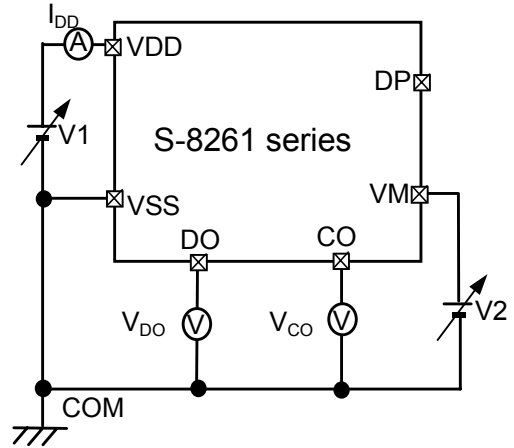
**(12) Measurement Condition 12, Measurement Circuit 2 (Product with 0 V battery charge inhibition function)**

《 0 V battery charge inhibition battery voltage 》

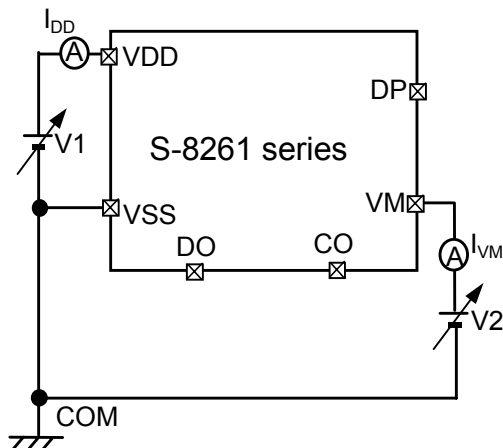
Set  $V1=0\text{ V}$  and  $V2=-4\text{ V}$ . Increase  $V1$  gradually. The voltage between VDD and VSS when  $V_{CO}$  goes "H" ( $V_{VM} + 0.1\text{ V}$  or higher) is the 0 V battery charge inhibition battery voltage ( $V_{0INH}$ ).



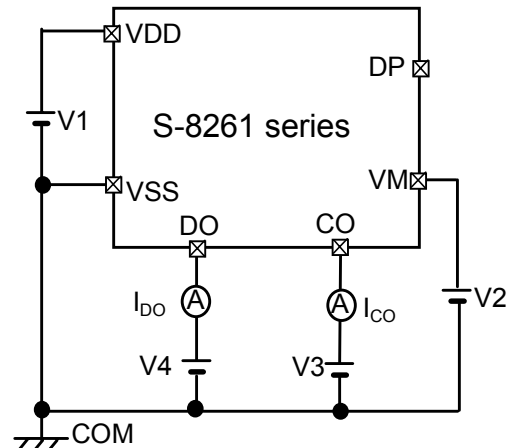
**Measurement circuit 1**



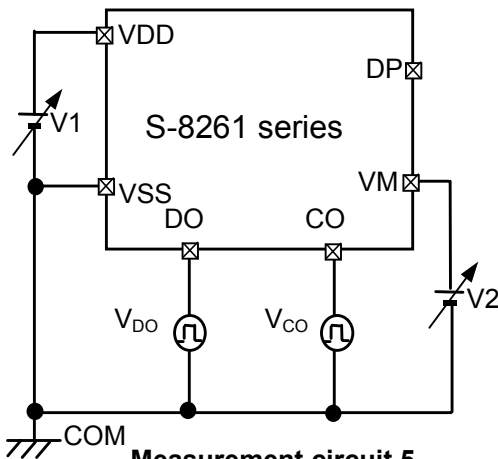
**Measurement circuit 2**



**Measurement circuit 3**



**Measurement circuit 4**



**Measurement circuit 5**

**Figure 4**

## ■ Description of Operation

### Normal condition

The S-8261 monitors the voltage of the battery connected between VDD and VSS pin and the voltage difference between VM and VSS pin to control charging and discharging. When the battery voltage is in the range from the overdischarge detection voltage ( $V_{DL}$ ) to the overcharge detection voltage ( $V_{CU}$ ), and the VM pin voltage is in the range from the charger detection voltage ( $V_{CHA}$ ) to the overcurrent 1 detection voltage ( $V_{IOV1}$ ), the IC turns both the charging and discharging control FETs on. This condition is called the normal condition, and in this condition charging and discharging can be carried out freely.

**Remark** When a battery is connected to the IC for the first time, the battery may not enter dischargeable state. In this case, set the VM pin voltage equal to the VSS voltage or connect a charger to enter the normal condition.

### Overcurrent condition (Detection of Overcurrent 1, Overcurrent 2 and Load short-circuiting)

When the condition in which VM pin voltage is equal to or higher than the overcurrent detection voltage, condition that caused by the excess of discharging current over a specified value, continues longer than the overcharge detection delay time in a battery under the normal condition, the S-8261 turns the discharging control FET off to stop discharging. This condition is called the overcurrent condition.

Though the VM and VSS pins are shorted by the  $R_{VMS}$  resistor in the IC under the overcurrent condition, the VM pin voltage is pulled to the  $V_{DD}$  level by the load as long as the load is connected.

The VM pin voltage returns to  $V_{SS}$  level when the load is released. The overcurrent condition returns to the normal condition when the impedance between the EB+ and EB- pin (see **Figure 10**) becomes higher than the automatic recoverable impedance, and the IC detects that the VM pin potential is lower than the overcurrent 1 detection voltage ( $V_{IOV1}$ ).

**Remark** The automatic recoverable impedance changes depending on the battery voltage and overcurrent 1 detection voltage settings.

### Overcharge condition

When the battery voltage becomes higher than the overcharge detection voltage ( $V_{CU}$ ) during charging under the normal condition and the detection continues for the overcharge detection delay time ( $t_{CU}$ ) or longer, the S-8261 turns the charging control FET off to stop charging. This condition is called the overcharge condition.

The overcharge condition is released by the following two cases ((1) and (2)):

- (1) When the battery voltage falls below the overcharge release voltage, which is equal to the overcharge detection voltage ( $V_{CU}$ )–overcharge detection hysteresis voltage ( $V_{HC}$ ), the S-8261 turns the charging control FET on and turns to the normal condition.
- (2) When a load is connected and discharging starts, the S-8261 turns the charging control FET on and returns to the normal condition. Just after the load is connected and discharging starts, the discharging current flows through the parasitic diode in the charging control FET. At this moment the VM pin potential becomes  $V_f$ -volt, the voltage for the parasitic diode, higher than  $V_{SS}$  level. When the battery voltage goes under the overcharge detection voltage ( $V_{CU}$ ) and provided that the VM pin voltage is higher than the overcurrent 1 detection voltage, the S-8261 releases the overcharge condition.

**Remark 1.** If the battery is charged to a voltage higher than the overcharge detection voltage ( $V_{CU}$ ) and the battery voltage does not fall below the overcharge detection voltage ( $V_{CU}$ ) even when a heavy load is connected, the detection of overcurrent 1, overcurrent 2 and load short-circuiting does not work. Since an actual battery has the internal impedance of several dozens of  $m\Omega$ , the battery voltage drops immediately after a heavy load which causes overcurrent is connected, and the detection of overcurrent 1, overcurrent 2 and load short-circuiting then works.

2. When a charger is connected after the overcharge detection, the overcharge condition is not released even if the battery voltage is below the overcharge release voltage ( $V_{CL}$  ( $=V_{CU}-V_{HC}$ )). The overcharge condition is released when the VM pin voltage goes over the charger detection voltage ( $V_{CHA}$ ) by removing the charger.

**Overdischarge condition**

When the battery voltage falls below the overdischarge detection voltage ( $V_{DL}$ ) during discharging under the normal condition and the detection continues for the overdischarge detection delay time ( $t_{DL}$ ) or longer, the S-8261 turns the discharging control FET off to stop discharging. This condition is called the overdischarge condition. When the discharging control FET turns off, the VM pin voltage is pulled up by the  $R_{VMD}$  resistor between VM and VDD in the IC. The voltage difference between VM and VDD then falls below 1.3 V (typ.), the current consumption is reduced to the power-down current consumption ( $I_{PDN}$ ). This condition is called the power-down condition.

The power-down condition is released when a charger is connected and the voltage difference between VM and VDD becomes 1.3 V (typ.) or higher. Moreover when the battery voltage becomes the overdischarge detection voltage ( $V_{DL}$ ) or higher, the S-8261 turns the discharging FET on and returns to the normal condition.

**Charger detection**

When a battery in the overdischarge condition is connected to a charger and provided that the VM pin voltage is lower than the charger detection voltage ( $V_{CHA}$ ), the S-8261 releases the overdischarge condition and turns the discharging control FET on as the battery voltage becomes equal to or higher than the overdischarge detection voltage ( $V_{DL}$ ) since the charger detection function works. This action is called charger detection.

When a battery in the overdischarge condition is connected to a charger and provided that the VM pin voltage is not lower than the charger detection voltage ( $V_{CHA}$ ), the S-8261 releases the overdischarge condition when the battery voltage reaches the overdischarge detection voltage ( $V_{DL}$ ) + overdischarge hysteresis ( $V_{HD}$ ) or higher.

**Abnormal charge current detection**

If the VM pin voltage falls below the charger detection voltage ( $V_{CHA}$ ) during charging under normal condition and it continues for the overcharge detection delay time ( $t_{CU}$ ) or longer, the charging control FET turns off and charging stops. This action is called the abnormal charge current detection.

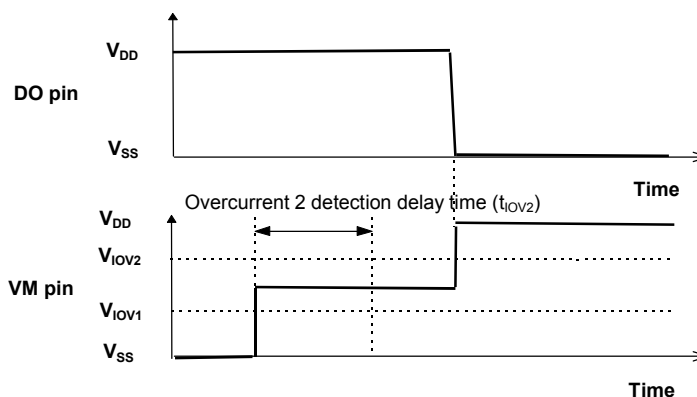
Abnormal charge current detection works when the DO pin voltage is “H” and the VM pin voltage falls below the charger detection voltage ( $V_{CHA}$ ). Consequently, if an abnormal charge current flows to an over-discharged battery, the S-8261 turns the charging control FET off and stops charging after the battery voltage becomes higher than the overdischarge detection voltage which make the DO pin voltage “H”, and still after the overcharge detection delay time ( $t_{CU}$ ) elapses.

Abnormal charge current detection is released when the voltage difference between VM pin and VSS pin becomes less than charger detection voltage ( $V_{CHA}$ ).

**Delay circuits**

The detection delay times are generated by dividing the approximate 3.5 kHz clock with a counter.

**Remark 1.** The detection delay time for overcurrent 2 and load short-circuiting start when the overcurrent 1 is detected. As soon as the overcurrent 2 or load short-circuiting is detected over the detection delay time for overcurrent 2 or load short-circuiting after the detection of overcurrent 1, the S-8261 turns the discharging control FET off.



**Figure 5**

2. When the overcurrent is detected and it continues for longer than the overdischarge detection delay time without releasing the load, the condition changes to the power-down condition when the battery voltage falls below the overdischarge detection voltage.
3. When the battery voltage falls below the overdischarge detection voltage due to the overcurrent, the S-8261 turns the discharging control FET off by the overcurrent detection. And in this case the recovery of the battery voltage is so slow that the battery voltage after the overdischarge detection delay time is still lower than the overdischarge detection voltage, the S-8261 transits to the power-down condition.

#### **DP pin**

The DP pin is a test pin for delay time measurement and it should be open in the actual application. If a capacitor whose capacitance is larger than 1000 pF or a resistor whose resistance is less than 1 M $\Omega$  is connected to this pin, error may occur in the delay times or in the detection voltages.

#### **0 V battery charge function<sup>\*1, \*2</sup>**

This function is used to recharge the connected battery whose voltage is 0 V due to the self-discharge. When the 0 V battery charge starting charger voltage ( $V_{0CHA}$ ) or higher is applied between EB+ pin and EB- pin by connecting a charger, the charging control FET gate is fixed to VDD pin voltage. When the voltage between the gate and source of the charging control FET becomes equal to or higher than the turn-on voltage by the charger voltage, the charging control FET turns on to start charging. At this time, the discharging control FET is off and the charging current flows through the internal parasitic diode in the discharging control FET. When the battery voltage becomes equal to or higher than the overdischarge release voltage ( $V_{DU}$ ), the S-8261 enters the normal condition.

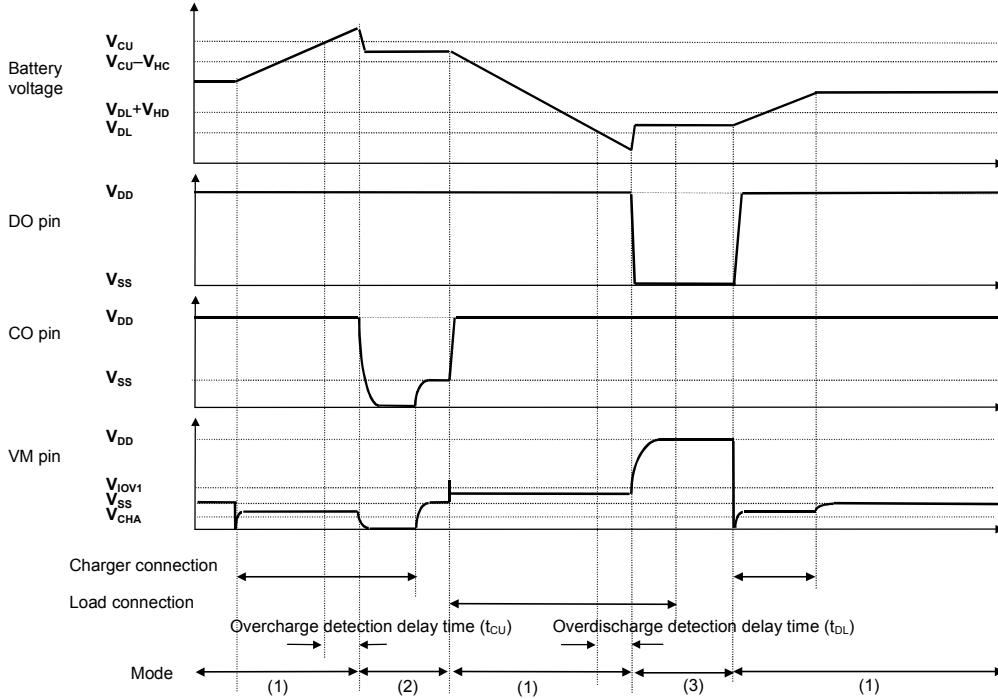
#### **0 V battery charge inhibition function<sup>\*1</sup>**

This function inhibits the recharging when a battery which is short-circuited (0 V) internally is connected. When the battery voltage is 0.6 V (typ.) or lower, the charging control FET gate is fixed to EB- pin voltage to inhibit charging. When the battery voltage is the 0 V battery charge inhibition battery voltage ( $V_{0INH}$ ) or higher, charging can be performed.

- \*1. Some battery providers do not recommend charging for completely self-discharged battery. Please ask battery providers before determining the 0 V battery charge function.
- \*2. The 0 V battery charge function has higher priority than the abnormal charge current detection function. Consequently, a product with the 0 V battery charge function charges a battery forcedly and abnormal charge current cannot be detected when the battery voltage is low.

■ **Operation Timing Chart**

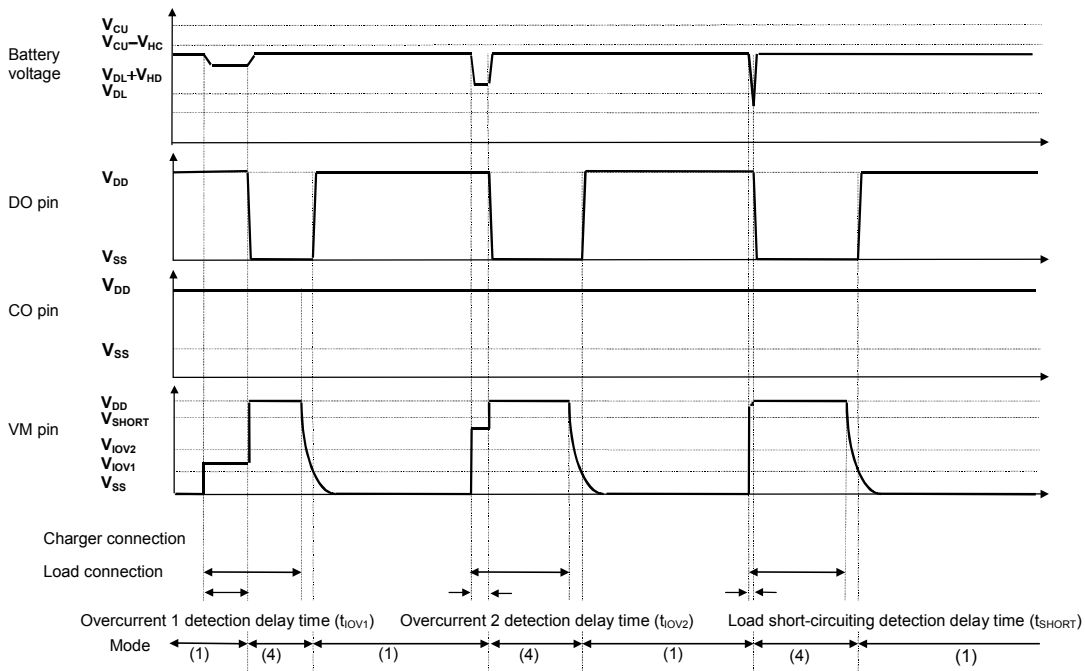
**1. Overcharge and overdischarge detection**



**Remark** (1) Normal condition, (2) Overcharge condition, (3) Overdischarge condition, (4) Overcurrent condition  
 The charger is supposed to charge with constant current.

**Figure 6**

**2. Overcurrent detection**

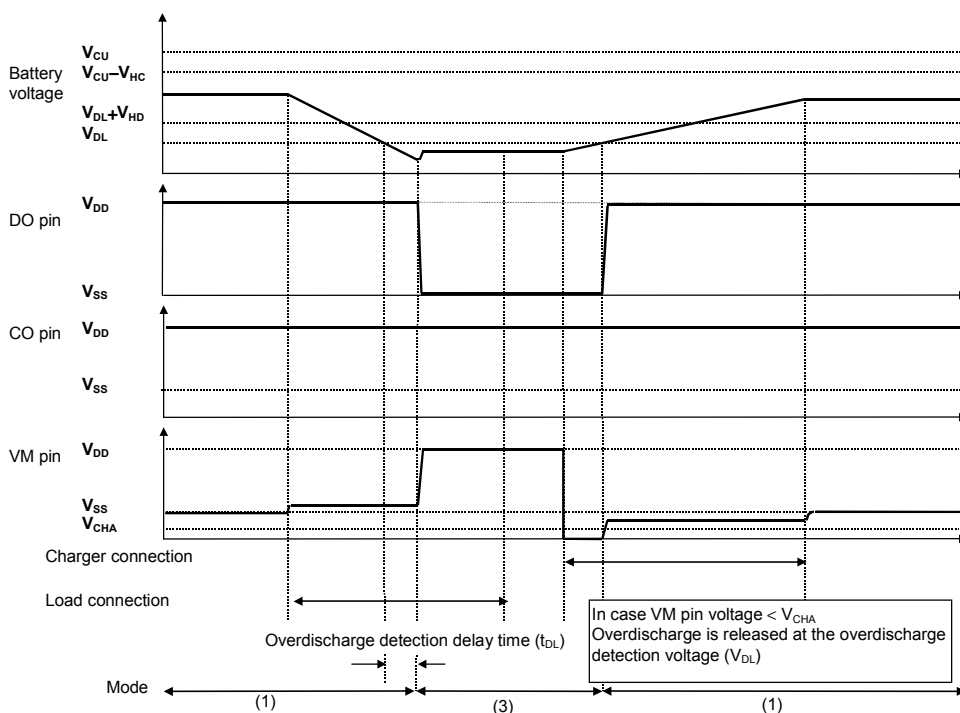


**Remark** (1) Normal condition, (2) Overcharge condition, (3) Overdischarge condition, (4) Overcurrent condition  
 The charger is supposed to charge with constant current.

**Figure 7**



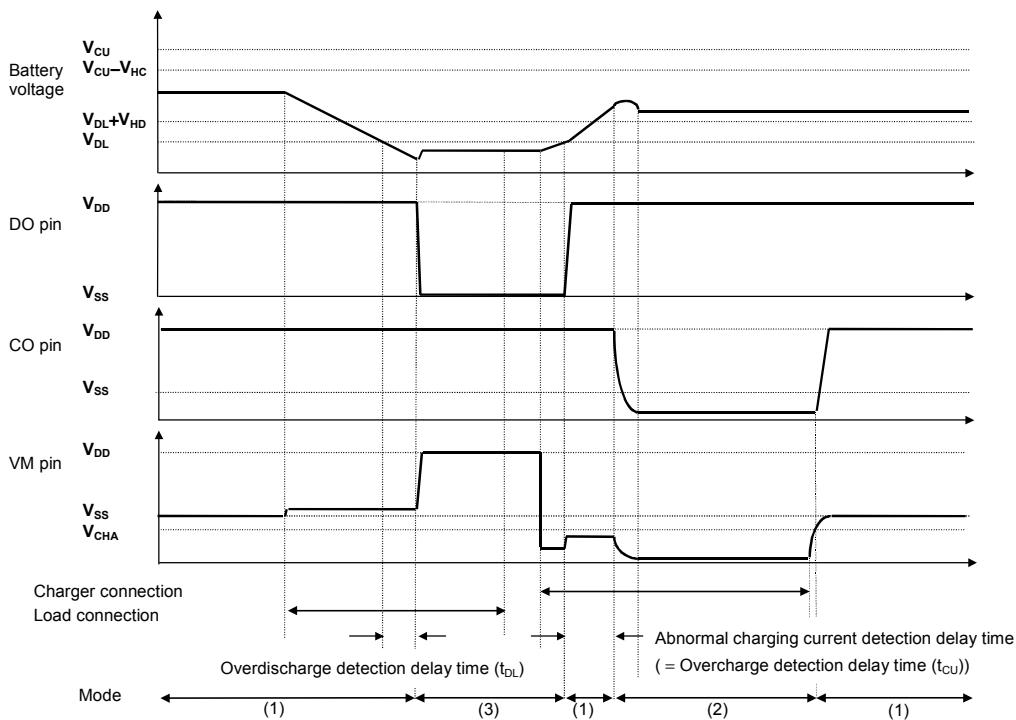
### 3. Charger detection



**Remark** (1) Normal condition, (2) Overcharge condition, (3) Overdischarge condition, (4) Overcurrent condition  
The charger is supposed to charge with constant current.

Figure 8

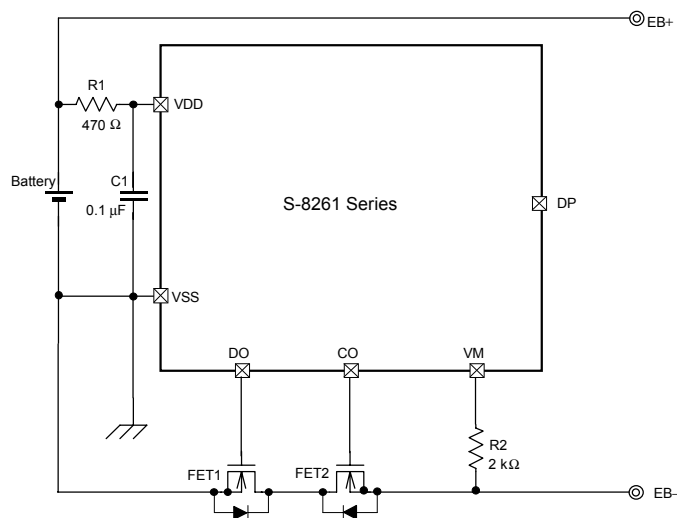
### 4. Abnormal charge current detection



**Remark** (1) Normal condition, (2) Overcharge condition, (3) Overdischarge condition, (4) Overcurrent condition  
The charger is supposed to charge with constant current.

Figure 9

■ **An Example for Battery Protection IC Connection**



**Figure 10**

**Table 1 Constant for external components**

Symbol	Parts	Purpose	Recommend	min.	max.	Remarks
FET1	N channel MOSFET	Charge control	—	—	—	Threshold voltage $\leq$ Overdischarge detection voltage <sup>*1</sup> Gate to source withstand voltage $\geq$ Charger voltage <sup>*2</sup>
FET2	N channel MOSFET	Discharge control	—	—	—	Threshold voltage $\leq$ Overdischarge detection voltage <sup>*1</sup> Gate to source withstand voltage $\geq$ Charger voltage <sup>*2</sup>
R1	Resistor	ESD protection For power fluctuation	470 $\Omega$	300 $\Omega$	1 k $\Omega$	Resistance should be as small as possible to avoid lowering of the overcharge detection accuracy caused by VDD pin current. <sup>*3</sup>
C1	Capacitor	For power fluctuation	0.1 $\mu$ F	0.022 $\mu$ F	1.0 $\mu$ F	Install a capacitor of 0.022 $\mu$ F or higher between VDD and VSS. <sup>*4</sup>
R2	Resistor	Protection for reverse connection of a charger	2 k $\Omega$	300 $\Omega$	4 k $\Omega$	Select a resistance as large as possible to prevent current when a charger is reversely connected. <sup>*5</sup>

- \*1. If the threshold voltage of an EFT is low, the FET may not cut the charging current.  
If an FET with a threshold voltage equal to or higher than the overdischarge detection voltage is used, discharging may be stopped before overdischarge is detected.
- \*2. If the withstand voltage between the gate and source is lower than the charger voltage, the FET may destroy.
- \*3. If R1 has a high resistance, the voltage between VDD and VSS may exceed the absolute maximum rating when a charger is connected reversely since the current flows from the charger to the IC.  
Insert a resistor of 300  $\Omega$  or higher as R1 for ESD protection.
- \*4. If a capacitor of less than 0.022  $\mu$ F is installed as C1, DO may oscillate when load short-circuiting is detected.  
Be sure to install a capacitor of 0.022  $\mu$ F or higher as C1.
- \*5. If R2 has a resistance higher than 4 k $\Omega$ , the charging current may not be cut when a high-voltage charger is connected.

**Remark** The DP pin should be open.

**Caution** The above connection diagram and constant will not guarantee successful operation. Perform through evaluation using the actual application to set the constant.

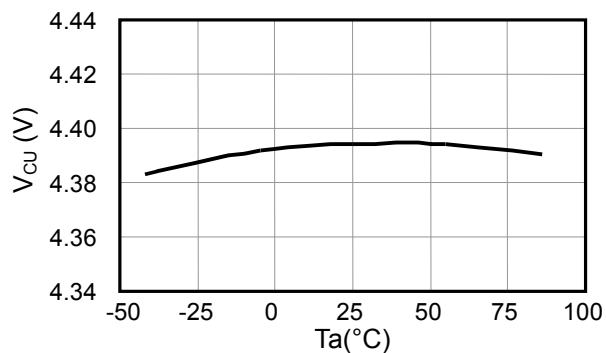
■ **Precautions**

- Pay attention to the operating conditions for input/output voltage and load current so that the loss in the IC does not exceed the permissible loss (power dissipation) of the package.
- Do not apply an electrostatic discharge to this IC that exceeds the performance ratings of the built-in electrostatic protection circuit.
- Seiko Instruments Inc. shall not be responsible for any patent infringement by products including the S-8261 series in connection with the method of using the S-8261 series in such products, the product specifications or the country of destination thereof.

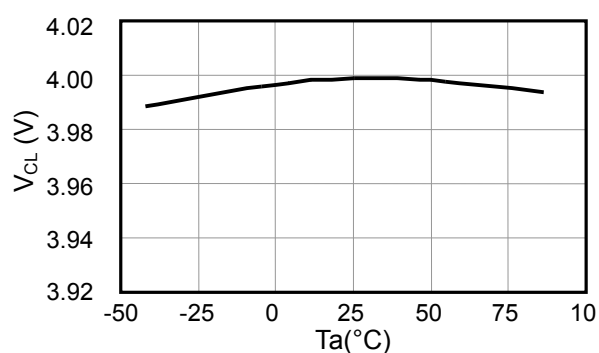
■ **Characteristics (typical characteristics)**

**1. Detection/release voltage temperature characteristics**

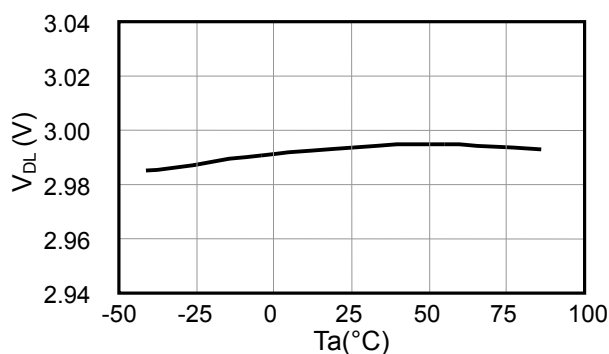
Overcharge detection voltage vs. temperature



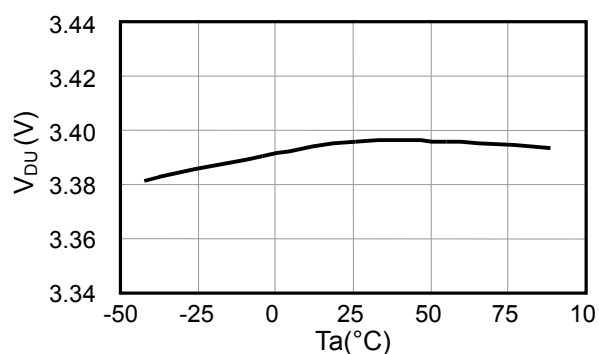
Overcharge release voltage vs. temperature



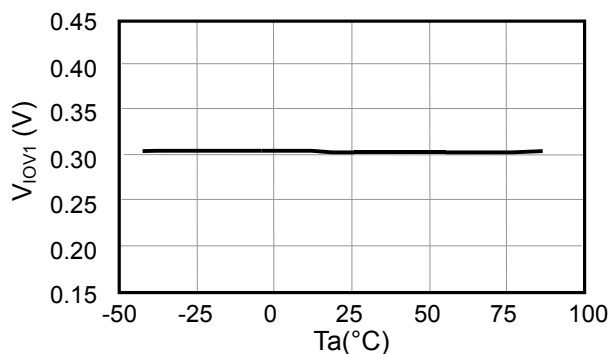
Overdischarge detection voltage vs. temperature



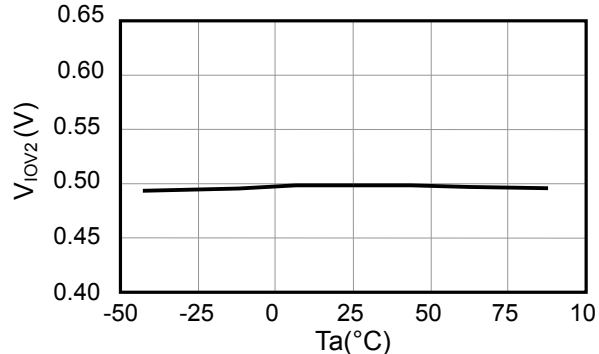
Overdischarge release voltage vs. temperature



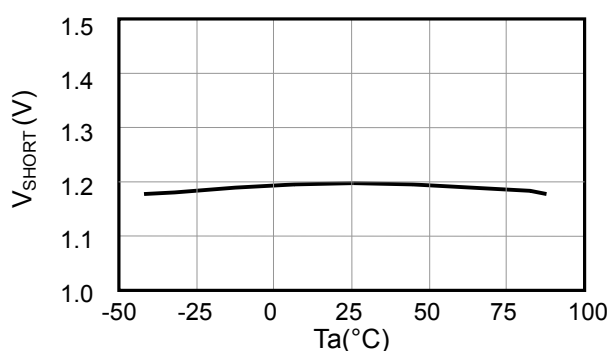
Overcurrent1 detection voltage vs. temperature



Overcurrent 2 detection voltage vs. temperature

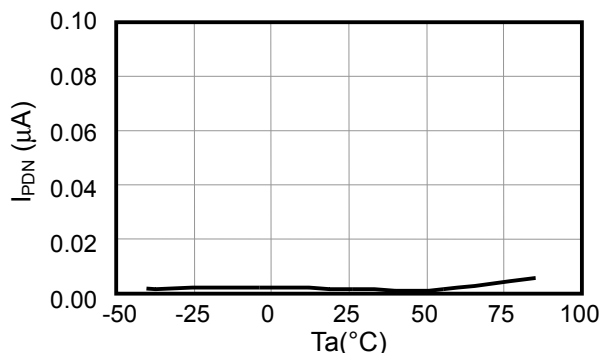
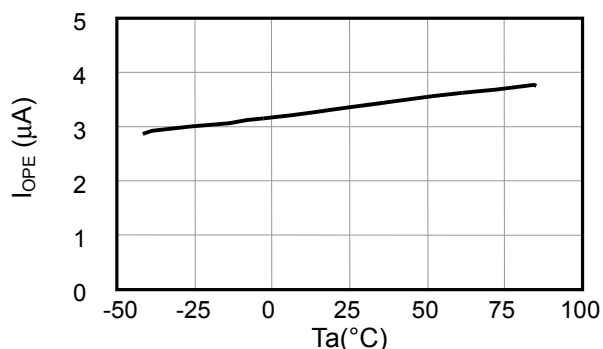


Load short-circuiting detection voltage vs. temperature

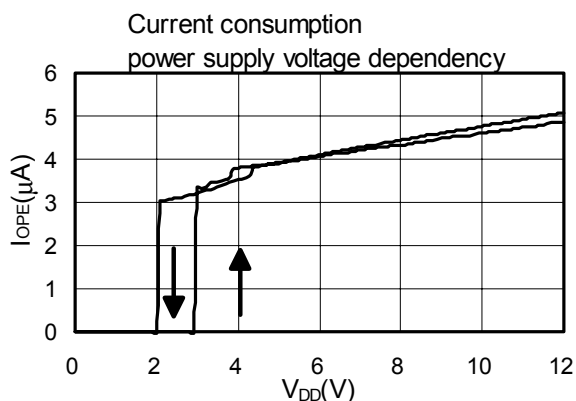


**2. Current consumption temperature characteristics**

Current consumption vs. temperature in normal mode      Current consumption vs. temperature in power-down mode

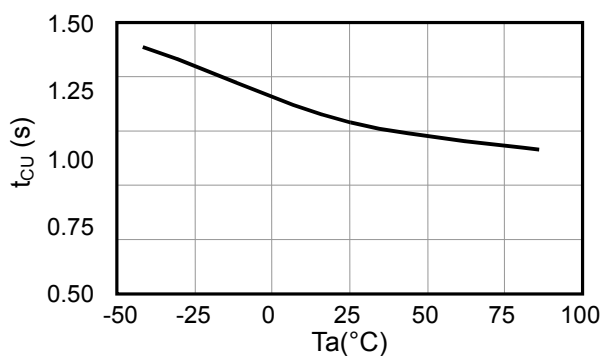


**3. Current consumption power voltage characteristics (Ta=25°C)**

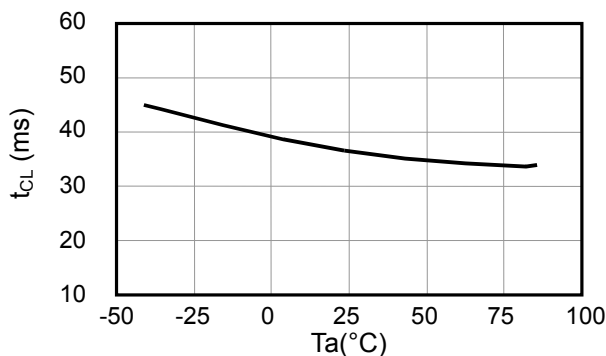


**4. Detection/release delay time temperature characteristics**

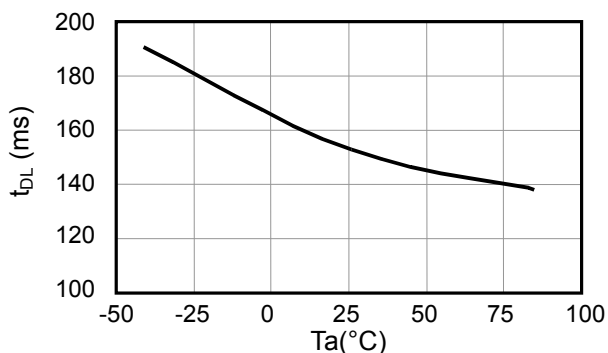
Overcharge detection delay time vs. temperature



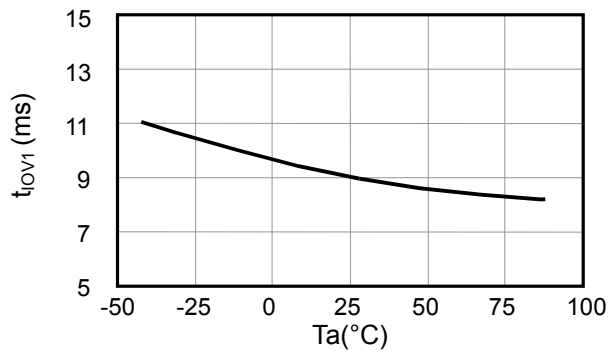
Overcharge release delay time vs. temperature



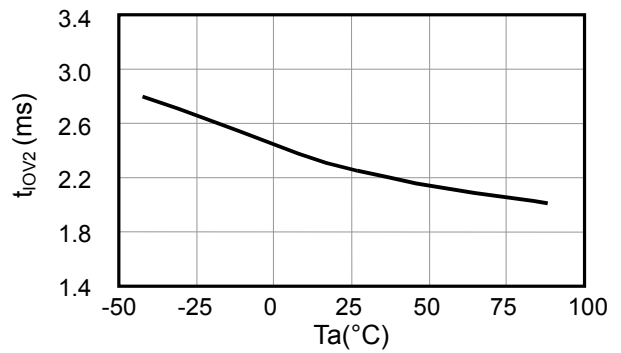
Overdischarge detection delay time vs. temperature



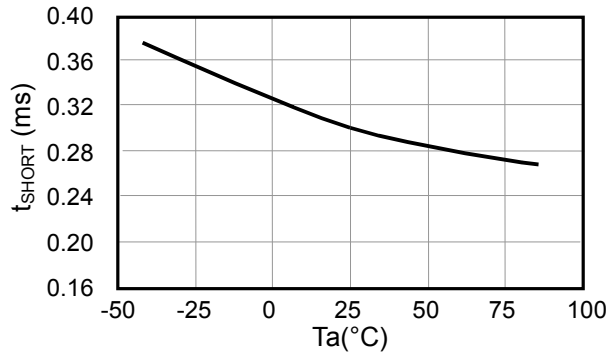
Overcurrent 1 detection delay time vs. temperature



Overcurrent 2 detection delay time vs. temperature

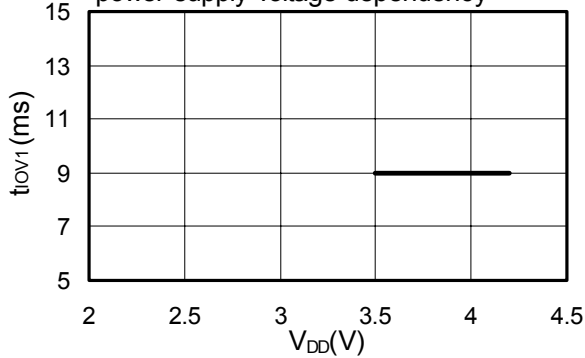


Load short-circuiting delay time vs. temperature

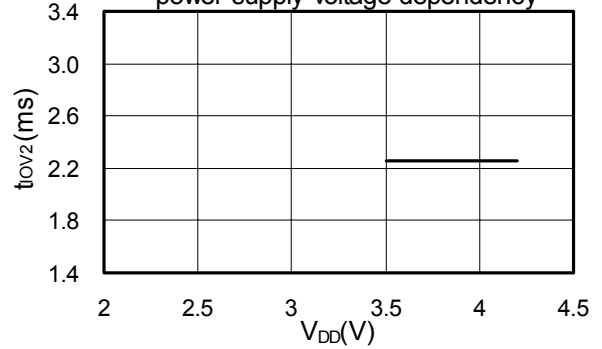


**5. Delay time power-voltage characteristics ( $T_a=25^\circ\text{C}$ )**

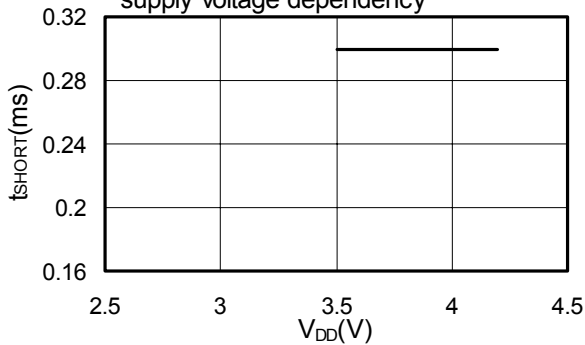
Overcurrent 1 detection delay time vs. power supply voltage dependency



Overcurrent 2 detection delay time vs. power supply voltage dependency



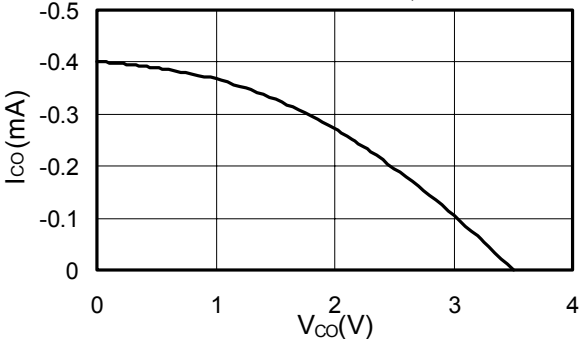
Load short-circuiting delay time vs. power supply voltage dependency



**6.CO pin/DO pin output current characteristics (Ta=25°C)**

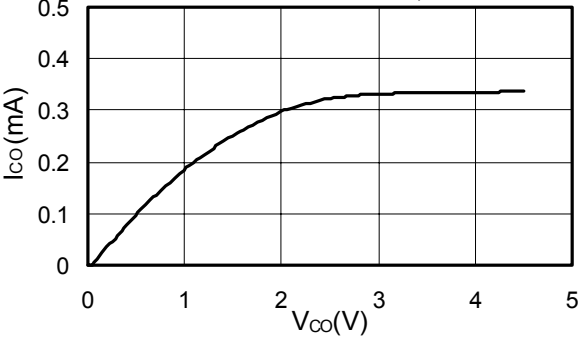
CO pin source current characteristics

$V_{DD}=3.5V, V_M=V_{SS}=0V$



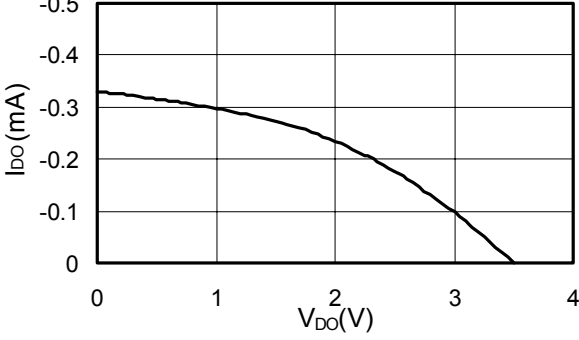
CO pin sink current characteristics

$V_{DD}=4.5V, V_M=V_{SS}=0V$



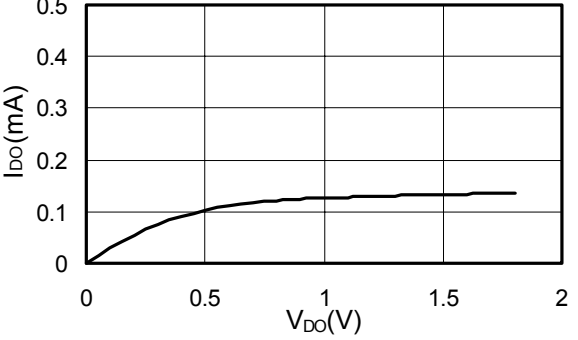
DO pin source current characteristics

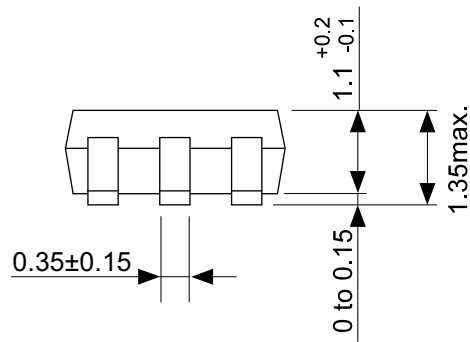
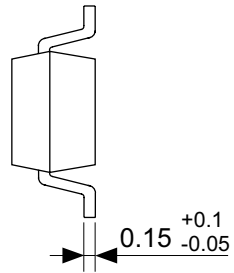
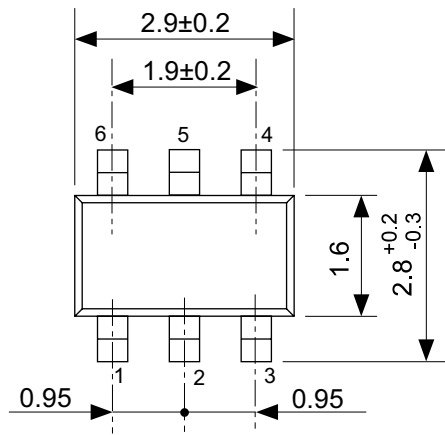
$V_{DD}=3.5V, V_M=V_{SS}=0V$



DO pin sink current characteristics

$V_{DD}=1.8V, V_M=V_{SS}=0V$

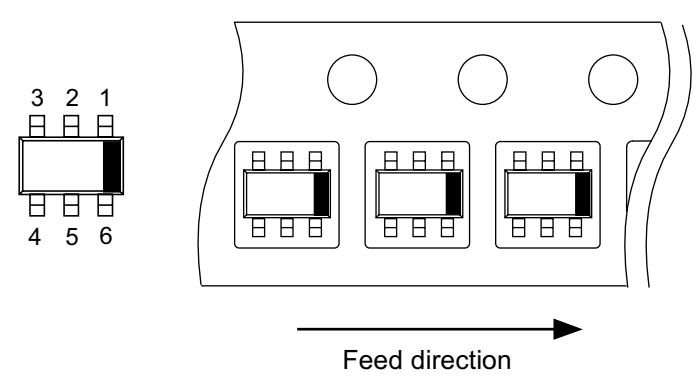
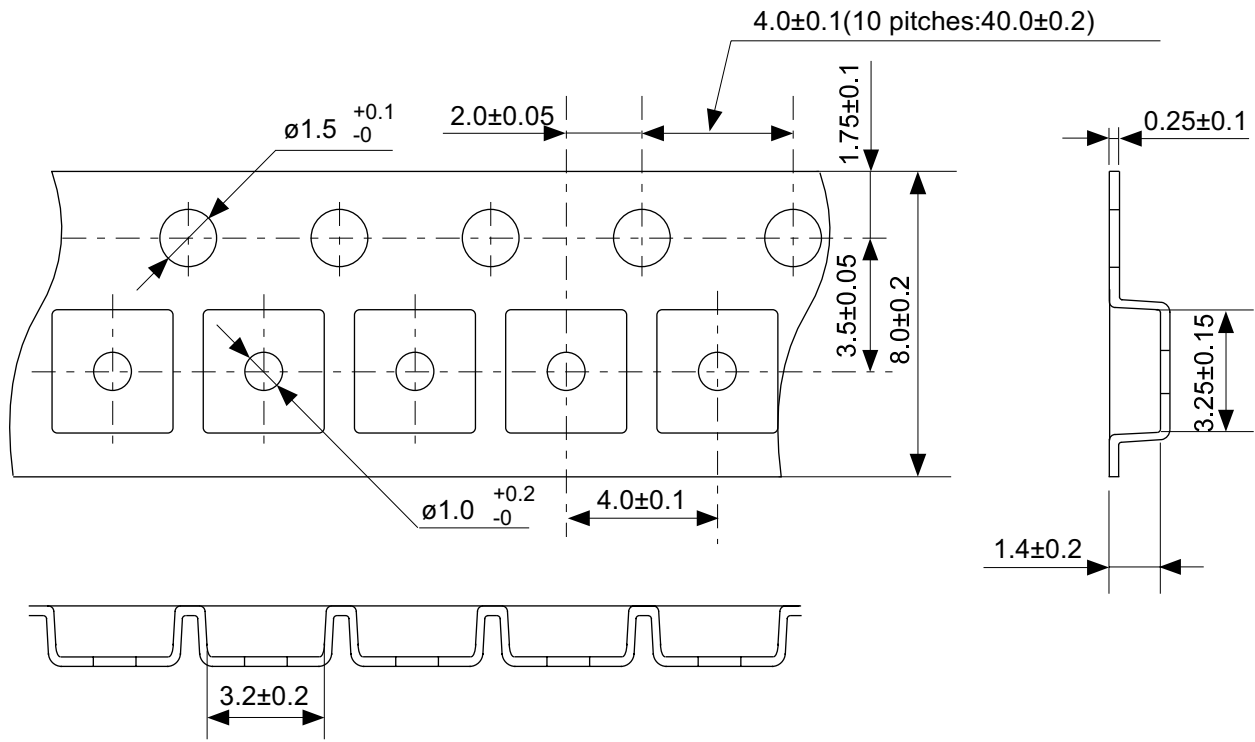




No. MP006-A-P-SD-1.1

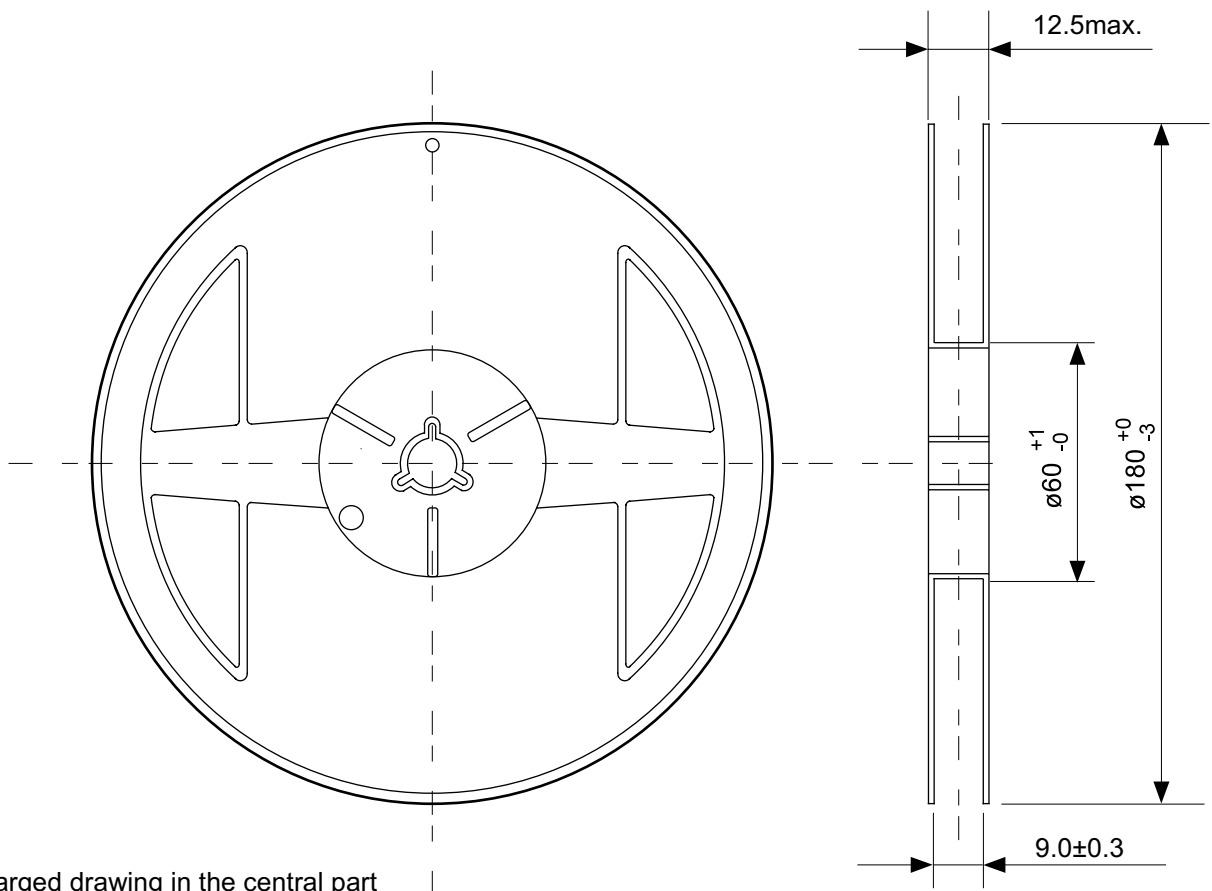
TITLE	SOT236-A-PKG Dimensions
No.	MP006-A-P-SD-1.1
SCALE	
UNIT	mm
Seiko Instruments Inc.	



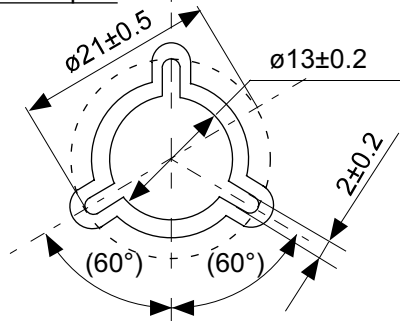


No. MP006-A-C-SD-3.1

TITLE	SOT236-A-Carrier Tape
No.	MP006-A-C-SD-3.1
SCALE	
UNIT	mm
Seiko Instruments Inc.	

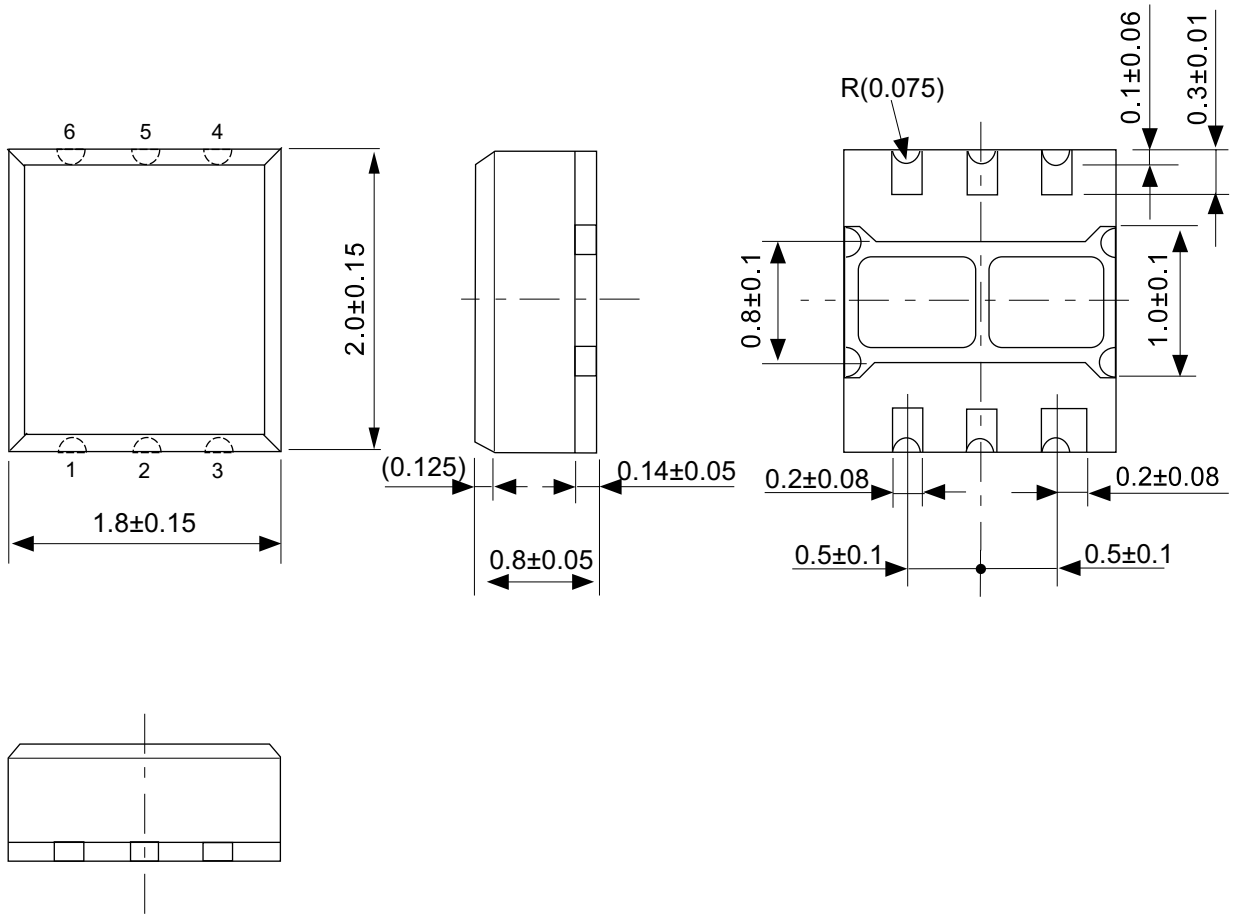


Enlarged drawing in the central part



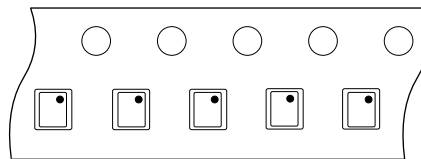
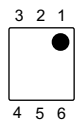
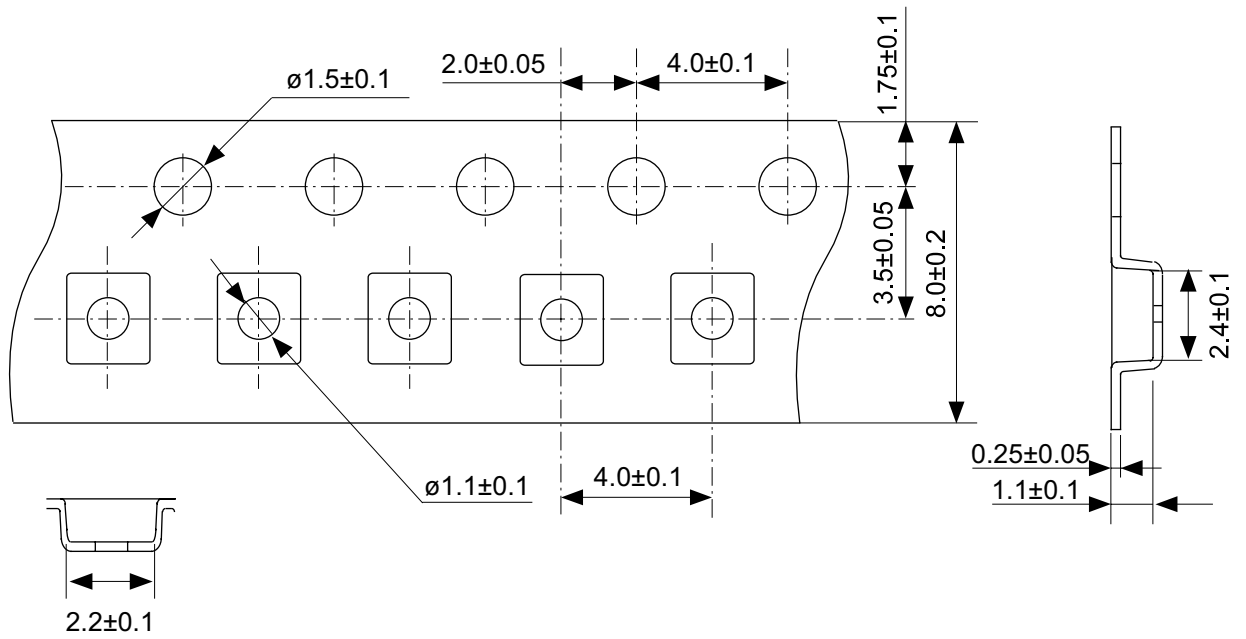
No. MP006-A-R-SD-2.1

TITLE	SOT236-A-Reel		
No.	MP006-A-R-SD-2.1		
SCALE		QTY	3,000
UNIT	mm		
Seiko Instruments Inc.			



No. BD006-A-P-SD-1.1

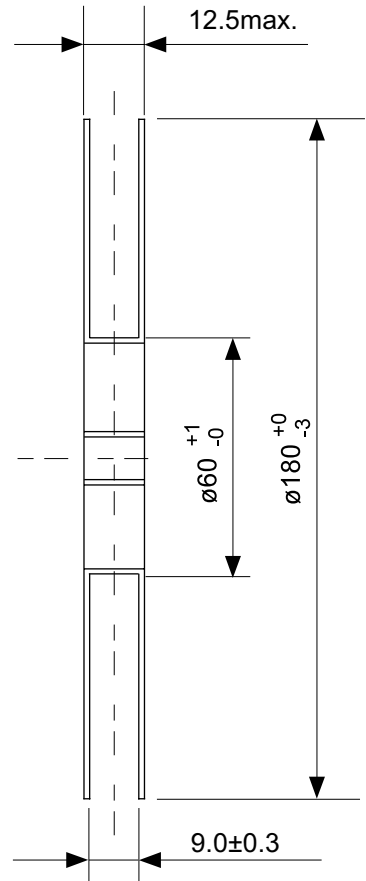
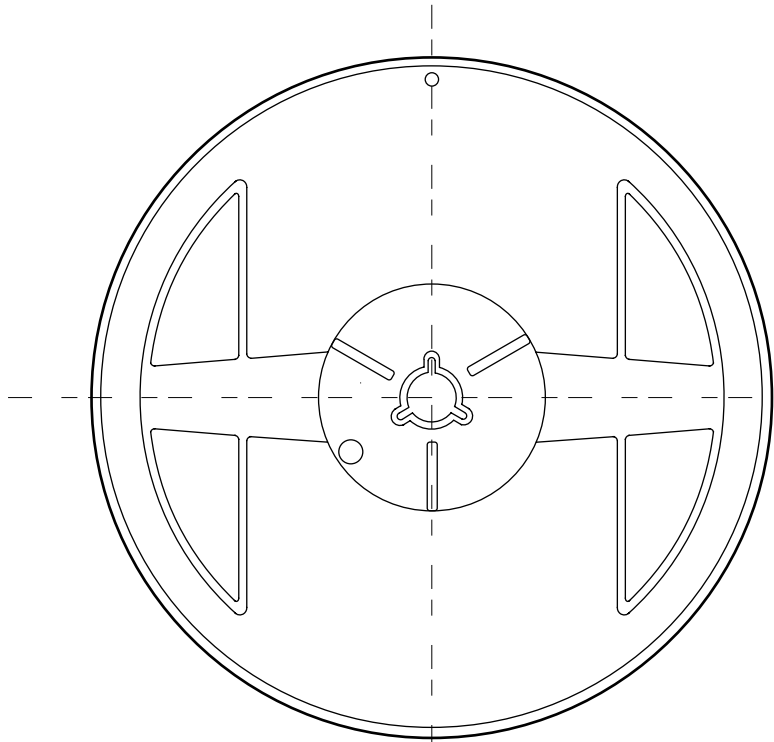
TITLE	SNB6B-A-PKG Dimensions
No.	BD006-A-P-SD-1.1
SCALE	
UNIT	mm
Seiko Instruments Inc.	



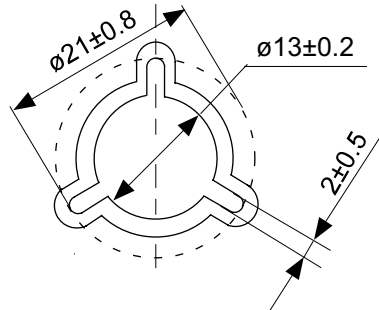
Feed direction →

No. BD006-A-C-SD-2.1

TITLE	SNB6B-A-Carrier Tape
No.	BD006-A-C-SD-2.1
SCALE	
UNIT	mm
Seiko Instruments Inc.	



Enlarged drawing in the central part



No. BD006-A-R-SD-1.1

TITLE	SNB6B-A-Reel		
No.	BD006-A-R-SD-1.1		
SCALE		QTY.	3,000
UNIT	mm		
Seiko Instruments Inc.			

- The information described herein is subject to change without notice.
- Seiko Instruments Inc. is not responsible for any problems caused by circuits or diagrams described herein whose related industrial properties, patents, or other rights belong to third parties. The application circuit examples explain typical applications of the products, and do not guarantee the success of any specific mass-production design.
- When the products described herein are regulated products subject to the Wassenaar Arrangement or other agreements, they may not be exported without authorization from the appropriate governmental authority.
- Use of the information described herein for other purposes and/or reproduction or copying without the express permission of Seiko Instruments Inc. is strictly prohibited.
- The products described herein cannot be used as part of any device or equipment affecting the human body, such as exercise equipment, medical equipment, security systems, gas equipment, or any apparatus installed in airplanes and other vehicles, without prior written permission of Seiko Instruments Inc.
- Although Seiko Instruments Inc. exerts the greatest possible effort to ensure high quality and reliability, the failure or malfunction of semiconductor products may occur. The user of these products should therefore give thorough consideration to safety design, including redundancy, fire-prevention measures, and malfunction prevention, to prevent any accidents, fires, or community damage that may ensue.