

Silicon Variable Capacitance Diode

Description

The 1T369 is a super miniature package variable capacitance diode for a wide-band CATV.

Features

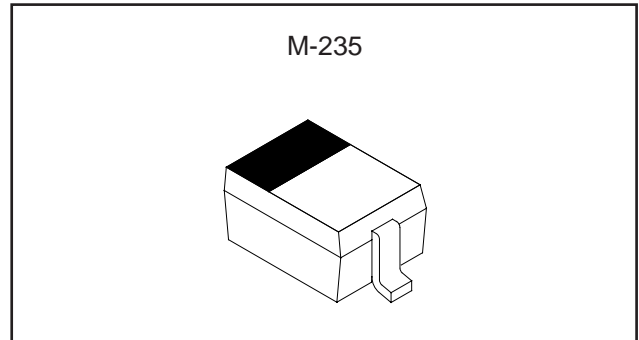
- Super miniature package
- Small series resistance  $r_s=1.0 \Omega$  (Max.)
- Large capacitance ratio  $C_2/C_{25}=15.5$  (Typ.)
- Capacitance deviation in a matching group  
2.0 % (Max.)

Applications

Electronic tuning of wide-band CATV

Structure

Silicon epitaxial planar type diode



Absolute Maximum Ratings (Ta=25 °C)

- Reverse voltage  $V_R$  34 V
- Operating temperature  $T_{opr}$  -20 to +75 °C
- Storage temperature  $T_{stg}$  -65 to +150 °C

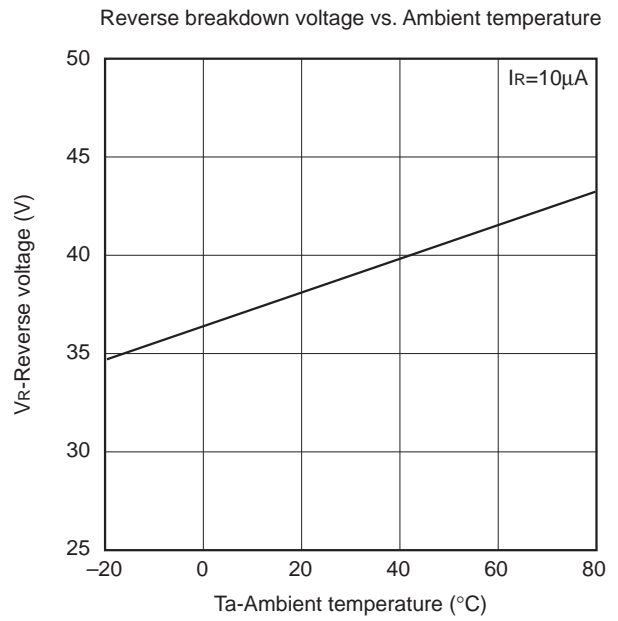
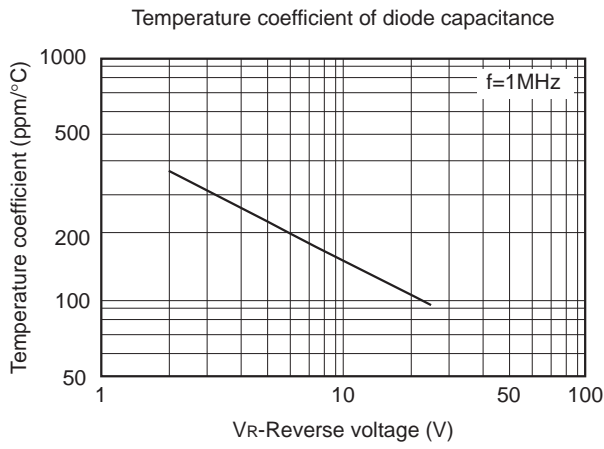
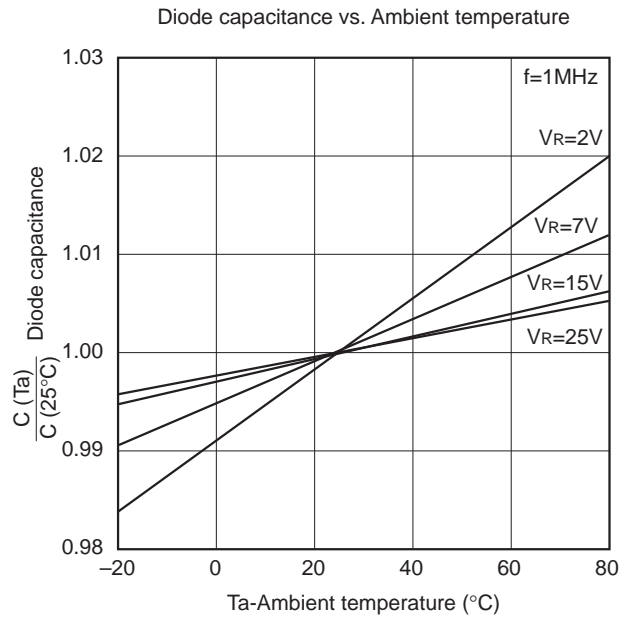
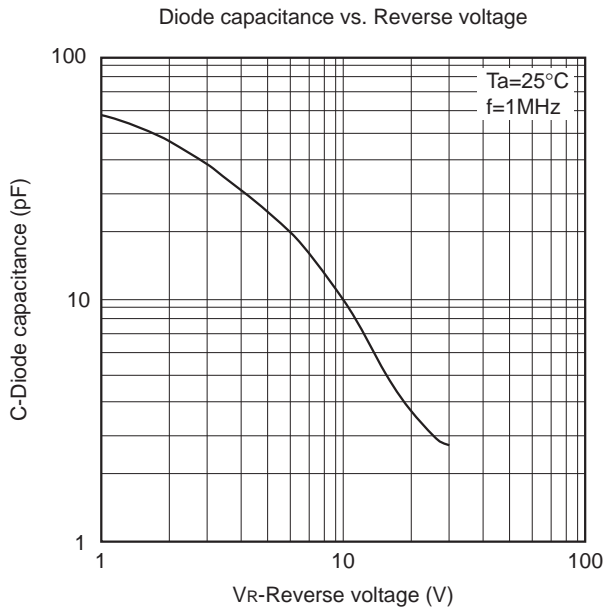
Electrical Characteristics

(Ta=25 °C)

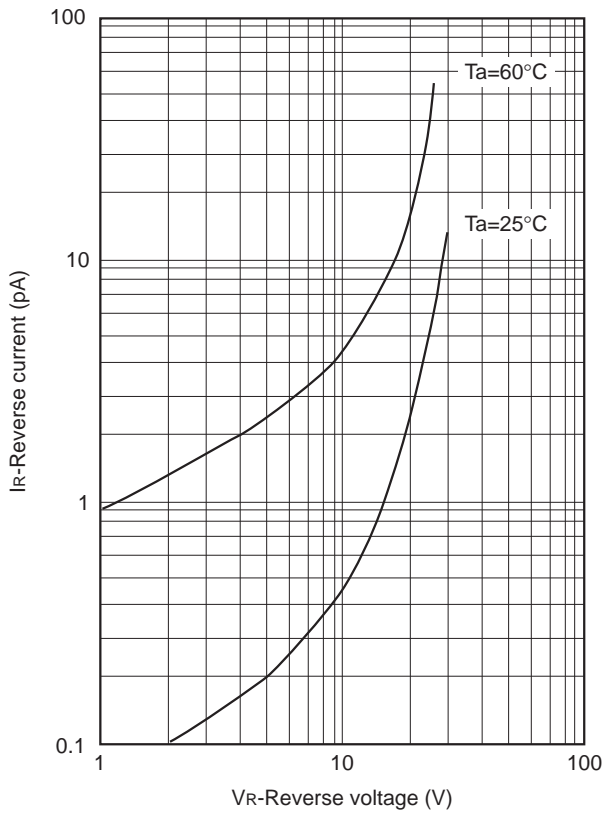
Item	Symbol	Conditions	Min.	Typ.	Max.	Unit
Reverse current	$I_R$	$V_R=28 V$			10	nA
Reverse voltage	$V_R$	$I_R=1 \mu A$	34			V
Diode capacitance	$C_2$	$V_R=2 V, f=1 MHz$	39.5	43.4	47.4	pF
	$C_{25}$	$V_R=25 V, f=1 MHz$	2.60	2.80	3.03	pF
Capacitance ratio	$C_2/C_{25}$		14.5	15.5	17.0	
Series resistance	$r_s$	$C_D=14 pF, f=470 MHz$			1.0	$\Omega$
Capacitance deviation in a matching group	$\Delta C$	C2 to C25			2.0	%

Sony reserves the right to change products and specifications without prior notice. This information does not convey any license by any implication or otherwise under any patents or other right. Application circuits shown, if any, are typical examples illustrating the operation of the devices. Sony cannot assume responsibility for any problems arising out of the use of these circuits.

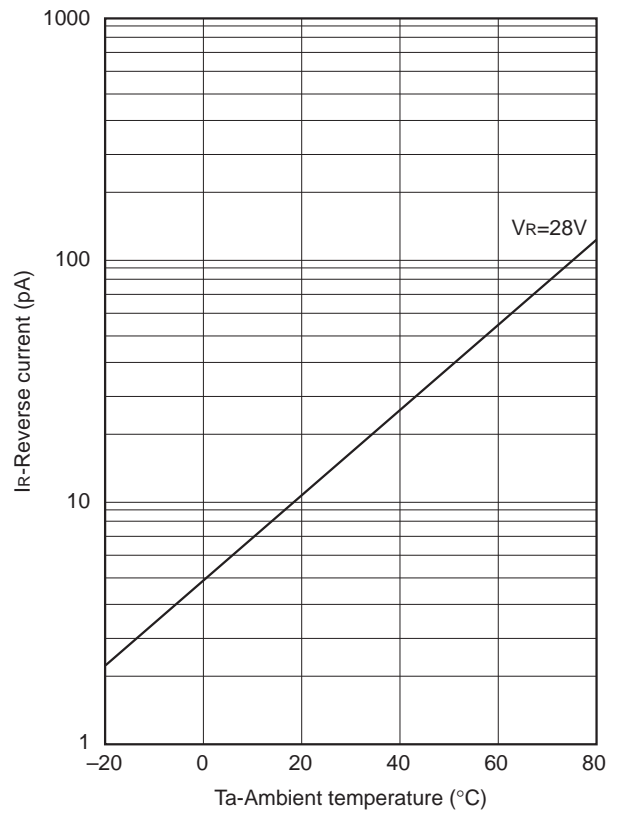
Example of Representative Characteristics



Reverse current vs. Reverse voltage

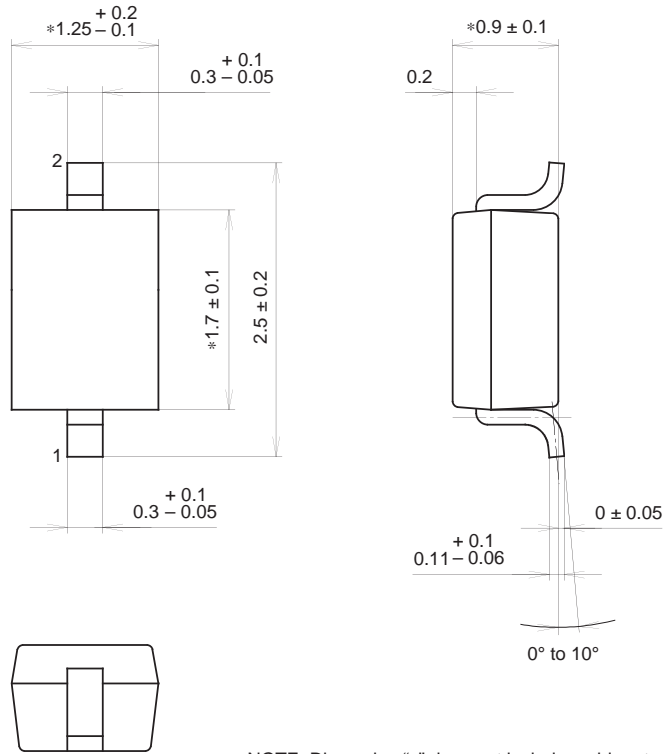


Reverse current vs. Ambient temperature



Package Outline Unit : mm

M-235

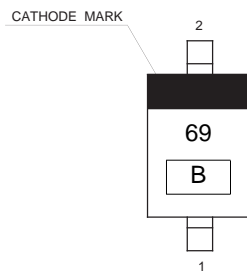


NOTE: Dimension "\*" does not include mold protrusion.

SONY CODE	M-235
EIAJ CODE	_____
JEDEC CODE	_____

PACKAGE WEIGHT	0.1g
----------------	------

Marking



Notes

- 1) B: Lot No. (Year and Month of manufacture)  
 Year; Last one digit  
 Month; A, B, C (for Oct. to Dec.)  
 1 to 9 (for Jan. to Sept.)