

**NOT RECOMMENDED FOR NEW DESIGNS
NO RECOMMENDED REPLACEMENT**
contact our Technical Support Center at
1-888-ELANTEC x311

Differential Line Driver



The EL1504/5 contains two wideband high-voltage drivers. It is designed to drive 45V_{P-P} signals at 2MHz into a 200Ω load differentially with very low distortion.

Both amplifiers are of the current-feedback type, giving high slew rates while consuming moderate power. They retain frequency response over a wide range of externally set gains.

The EL1504/5 operate on ±5V to ±15V supplies, and maintain their bandwidths and linearities over the supply range.

The EL1504, in a 20-Pin Fused Lead SOIC package, has eight center pins which are used as ground connections and heat spreaders. This facilitates the use of external heatsinking to increase the power handling of the device.

The EL1505, in a 16-Pin SOIC package, is designed for applications which do not require full power and where a smaller PCB footprint is desirable. The packages are specified for operation over the full -40°C to +85°C temperature range.

Features

- Complete ADSL differential driver
- 45V_{P-P} differential output drive into 200Ω
- -60dBc typical output distortion at full output at 2MHz
- Drives 8 single-ended video loads, or 4 S-VHS loads, or 4 differential video loads
- Power surface-mount package

Applications

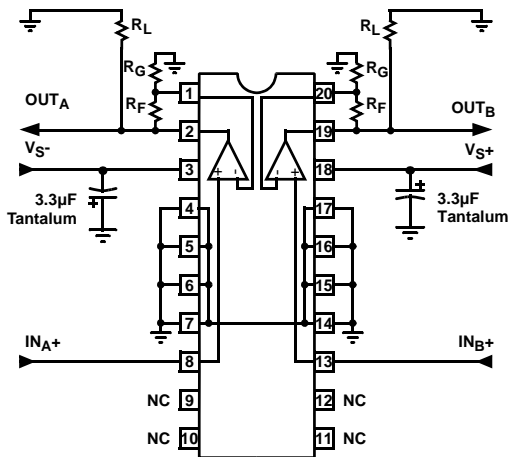
- ADSL line interface
- HDSL line driver
- Video distribution amplifier
- Video twisted-pair line driver

Ordering Information

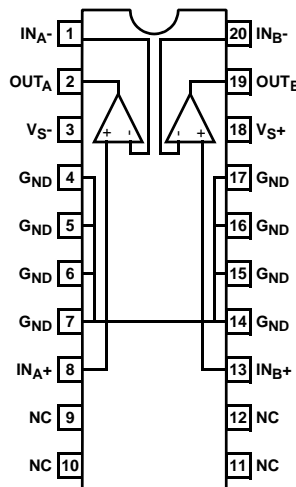
PART NUMBER	PACKAGE	TEMP. RANGE	PKG. NO.
EL1504CM	20-Pin SOL	-40°C to +85°C	MDP0027
EL1505CM	16-Pin SOL	-40°C to +85°C	MDP0027

Pinouts

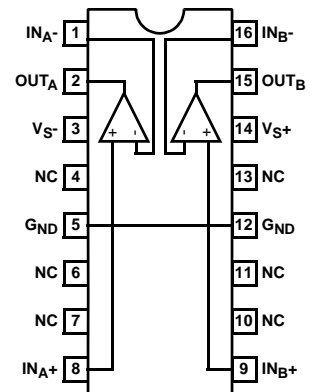
**EL1504, EL1505
(20-PIN SOL)
TOP VIEW**



**ELEL1504
(20-PIN SOL)
TOP VIEW**



**EL1505
(16-PIN SOL)
TOP VIEW**



Get FULL DATASHEET

All Intersil U.S. products are manufactured, assembled and tested utilizing ISO9000 quality systems.
Intersil Corporation's quality certifications can be viewed at www.intersil.com/design/quality

Intersil products are sold by description only. Intersil Corporation reserves the right to make changes in circuit design, software and/or specifications at any time without notice. Accordingly, the reader is cautioned to verify that data sheets are current before placing orders. Information furnished by Intersil is believed to be accurate and reliable. However, no responsibility is assumed by Intersil or its subsidiaries for its use; nor for any infringements of patents or other rights of third parties which may result from its use. No license is granted by implication or otherwise under any patent or patent rights of Intersil or its subsidiaries.

For information regarding Intersil Corporation and its products, see www.intersil.com