

Features

- Complete ADSL differential driver
- 45V_{P-P} differential output drive into 200Ω
- -60dBc typical output distortion at full output at 2MHz
- Drives 8 single-ended video loads, or 4 S-VHS loads, or 4 differential video loads
- Power surface-mount package

Applications

- ADSL line interface
- HDSL line driver
- Video distribution amplifier
- Video twisted-pair line driver

Ordering Information

Part No	Package	Tape & Reel	Outline #
EL1504CM	20-Pin SOL		MDP0027
EL1505CM	16-Pin SOL		MDP0027

Get FULL DATA SHEET

General Description

The EL1504/5C contains two wideband high-voltage drivers. It is designed to drive 45V_{P-P} signals at 2MHz into a 200Ω load differentially with very low distortion.

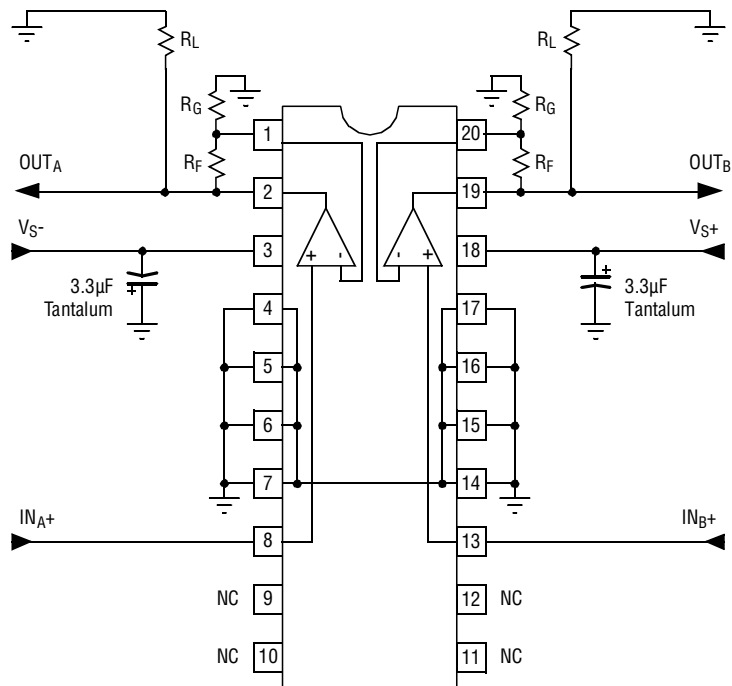
Both amplifiers are of the current-feedback type, giving high slew rates while consuming moderate power. They retain frequency response over a wide range of externally set gains.

The EL1504/5C operate on ±5V to ±15V supplies, and maintain their bandwidths and linearities over the supply range.

The EL1504C, in a 20-Pin Fused Lead SOIC package, has eight center pins which are used as ground connections and heat spreaders. This facilitates the use of external heatsinking to increase the power handling of the device.

The EL1505C, in a 16-Pin SOIC package, is designed for applications which do not require full power and where a smaller PCB footprint is desirable. The packages are specified for operation over the full -40°C to +85°C temperature range.

Connection Diagram



Note: All information contained in this data sheet has been carefully checked and is believed to be accurate as of the date of publication; however, this data sheet cannot be a "controlled document". Current revisions, if any, to these specifications are maintained at the factory and are available upon your request. We recommend checking the revision level before finalization of your design documentation.

EL1504C, EL1505C - Product Brief

Differential Line Driver

General Disclaimer

Specifications contained in this data sheet are in effect as of the publication date shown. Elantec, Inc. reserves the right to make changes in the circuitry or specifications contained herein at any time without notice. Elantec, Inc. assumes no responsibility for the use of any circuits described herein and makes no representations that they are free from patent infringement.

élantec

HIGH PERFORMANCE ANALOG INTEGRATED CIRCUITS

Elantec Semiconductor, Inc.

675 Trade Zone Blvd.

Milpitas, CA 95035

Telephone: (408) 945-1323

(888) ELANTEC

Fax: (408) 945-9305

European Office: +44-118-977-6020

Japan Technical Center: +81-45-682-5820

WARNING - Life Support Policy

Elantec, Inc. products are not authorized for and should not be used within Life Support Systems without the specific written consent of Elantec, Inc. Life Support systems are equipment intended to support or sustain life and whose failure to perform when properly used in accordance with instructions provided can be reasonably expected to result in significant personal injury or death. Users contemplating application of Elantec, Inc. Products in Life Support Systems are requested to contact Elantec, Inc. factory headquarters to establish suitable terms & conditions for these applications. Elantec, Inc.'s warranty is limited to replacement of defective components and does not cover injury to persons or property or other consequential damages.