

Features

- Complete programmable laser diode driver
- 250mA maximum output
- 8bit x 8bit multiplying DAC output provides 8bit full scale adjustment and 8bit resolution at any full scale output
- 0.5ns timer resolution
- Two laser outputs allows read/write DVD and CD combinations
- Programmable waveform values support 2.6GB DVD-RAM, 4.7GB DVD-RAM, DVD-R, DVD+RW, DVD-RW, CD-RW, and CD-R
- Analog input supports APC
- HFM oscillator programmable to 100mAp-p from 200 to 500MHz
- PLL allows reduced-frequency clock on flex cable
- Separate serial input works up to 25Mb/sec

Applications

- Combination DVD writable and CD writable drives
- DVD Camcorders
- DVD Video Recorders

Ordering Information

Part No	Temp. Range	Package	Outline #
EL6290CU	0°C to +75°C	24-Lead QSOP	MDP00040
EL6290CL	0°C to +70°C	32-Lead QFN	MDP0045
EL6290CJ	0°C to +70°C	32-Lead LFP	MDP0046

General Description

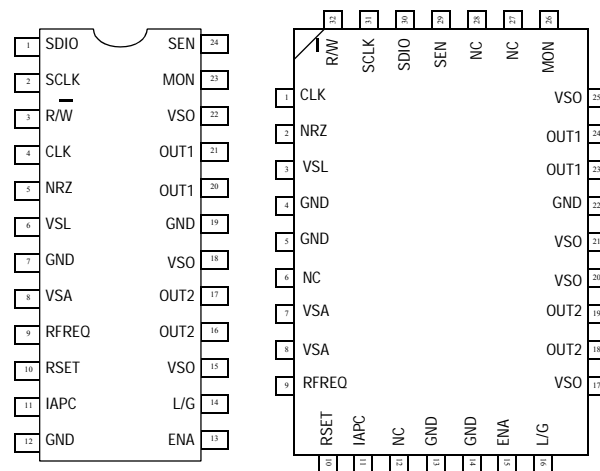
The EL6290C is a highly integrated laser diode driver designed to support multi-standard writable optical drives. It accomplishes this by incorporating a waveform generator wherein the diode currents and timing details can be programmed before operation. The data input circuitry inspects the NRZ serial data waveform and generates programmed waveforms in recognition of 3, 4, 5, or 6 or more clock periods of space changing to 3, 4, 5, or 6 or more clock periods of mark, and vice versa.

This programmable architecture allows reprogramming of the timers to support different media, DVD or CD standards, and different speeds. The programming is accomplished through a serial interface port. Two outputs are provided to support dual-laser multi-standard optical heads.

The EL6290C operates on a 5V supply, but has a separate logical interface supply for 3.3V interface operation.

The EL6290C is available in a 24-lead QSOP, or in a 32-lead QFN package for improved thermal performance and reduced board area usage.

Connection Diagrams



Note: All information contained in this data sheet has been carefully checked and is believed to be accurate as of the date of publication; however, this data sheet cannot be a "controlled document". Current revisions, if any, to these specifications are maintained at the factory and are available upon your request. We recommend checking the revision level before finalization of your design documentation.

EL6290C - Product Brief

Laser Diode Driver with Waveform Generator

General Disclaimer

Specifications contained in this data sheet are in effect as of the publication date shown. Elantec, Inc. reserves the right to make changes in the circuitry or specifications contained herein at any time without notice. Elantec, Inc. assumes no responsibility for the use of any circuits described herein and makes no representations that they are free from patent infringement.

élantec

HIGH PERFORMANCE ANALOG INTEGRATED CIRCUITS

Elantec Semiconductor, Inc.

675 Trade Zone Blvd.
Milpitas, CA 95035
Telephone: (408) 945-1323
(888) ELANTEC
Fax: (408) 945-9305
European Office: +44-118-977-6020
Japan Technical Center: +81-45-682-5820

WARNING - Life Support Policy

Elantec, Inc. products are not authorized for and should not be used within Life Support Systems without the specific written consent of Elantec, Inc. Life Support systems are equipment intended to support or sustain life and whose failure to perform when properly used in accordance with instructions provided can be reasonably expected to result in significant personal injury or death. Users contemplating application of Elantec, Inc. Products in Life Support Systems are requested to contact Elantec, Inc. factory headquarters to establish suitable terms & conditions for these applications. Elantec, Inc.'s warranty is limited to replacement of defective components and does not cover injury to persons or property or other consequential damages.