

# THYRISTOR MODULE

# PK(PD,PE,KK)130F

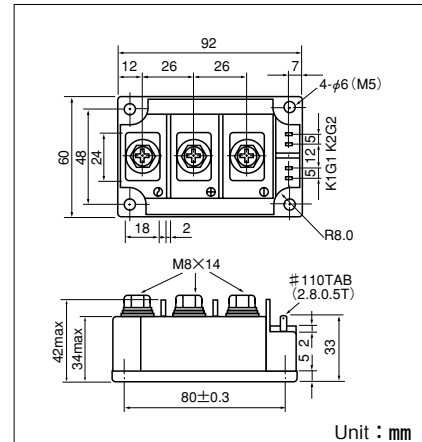
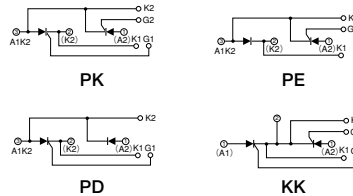
UL:E76102(M)

Power Thyristor/Diode Module **PK130F** series are designed for various rectifier circuits and power controls. For your circuit application, following internal connections and wide voltage ratings up to 1,600V are available. Two elements in a package and electrically isolated mounting base make your mechanical design easy.

- $I_{T(AV)}$  130A,  $I_{T(RMS)}$  205A,  $I_{TSM}$  4400A
- $di/dt$  200 A/ $\mu$ s
- $dv/dt$  500V/ $\mu$ s

### (Applications)

Various rectifiers  
AC/DC motor drives  
Heater controls  
Light dimmers  
Static switches



### Maximum Ratings

Symbol	Item	Ratings				Unit
		PK130F40 PD130F40 PE130F40 KK130F40	PK130F80 PD130F80 PE130F80 KK130F80	PK130F120 PD130F120 PE130F120 KK130F120	PK130F160 PD130F160 PE130F160 KK130F160	
$V_{RRM}$	* Repetitive Peak Reverse Voltage	400	800	1200	1600	V
$V_{RSM}$	* Non-Repetitive Peak Reverse Voltage	480	960	1300	1700	V
$V_{DRM}$	Repetitive Peak Off-State Voltage	400	800	1200	1600	V

Symbol	Item	Conditions	Ratings	Unit	
$I_{T(AV)}$	* Average On-State Current	Single phase, half wave, 180° conduction, $T_c : 90^\circ\text{C}$	130	A	
$I_{T(RMS)}$	* R.M.S. On-State Current	Single phase, half wave, 180° conduction, $T_c : 90^\circ\text{C}$	205	A	
$I_{TSM}$	* Surge On-State Current	$\frac{1}{2}$ cycle, 50Hz/60Hz, peak Value, non-repetitive	4000/4400	A	
$I^2t$	* $I^2t$	Value for one cycle of surge current	$8 \times 10^4$	A <sup>2</sup> S	
PGM	Peak Gate Power Dissipation		10	W	
$P_{G(AV)}$	Average Gate Power Dissipation		3	W	
$I_{FGM}$	Peak Gate Current		3	A	
$V_{FGM}$	Peak Gate Voltage (Forward)		10	V	
$V_{RGM}$	Peak Gate Voltage (Reverse)		5	V	
$di/dt$	Critical Rate of Rise of On-State Current	$I_G=100\text{mA}$ , $T_j=25^\circ\text{C}$ , $V_D=\frac{1}{2}V_{DRM}$ , $dI_G/dt=0.1\text{A}/\mu\text{s}$	200	A/ $\mu\text{s}$	
$V_{iso}$	* Isolation Breakdown Voltage (R.M.S.)	A.C. 1 minute	2500	V	
$T_j$	* Operating Junction Temperature		-40 to +125	°C	
$T_{stg}$	* Storage Temperature		-40 to +125	°C	
	Mounting Torque	Mounting (M5) Terminal (M8)	Recommended 1.5-2.5 (15-25) Recommended 8.8-10 (90-105)	2.7 (28) 11 (115)	N·m (kgf·cm)
	Mass		510	g	

### Electrical Characteristics

Symbol	Item	Conditions	Ratings	Unit
$I_{DRM}$	Repetitive Peak Off-State Current, max.	at $V_{DRM}$ , single phase, half wave, $T_j=125^\circ\text{C}$	50	mA
$I_{RRM}$	* Repetitive Peak Reverse Current, max.	at $V_{DRM}$ , single phase, half wave, $T_j=125^\circ\text{C}$	50	mA
$V_{TM}$	* Peak On-State Voltage, max.	On-State Current 400A, $T_j=25^\circ\text{C}$ Inst. measurement	1.40	V
$I_{GT}/V_{GT}$	Gate Trigger Current/Voltage, max.	$T_j=25^\circ\text{C}$ , $I_T=1\text{A}$ , $V_D=6\text{V}$	100/3	mA/V
$V_{GD}$	Non-Trigger Gate, Voltage. min.	$T_j=125^\circ\text{C}$ , $V_D=\frac{1}{2}V_{DRM}$	0.25	V
tgt	Turn On Time, max.	$I_T=130\text{A}$ , $I_G=100\text{mA}$ , $T_j=25^\circ\text{C}$ , $V_D=\frac{1}{2}V_{DRM}$ , $dI_G/dt=0.1\text{A}/\mu\text{s}$	10	$\mu\text{s}$
$dv/dt$	Critical Rate of Rise of Off-State Voltage, min.	$T_j=125^\circ\text{C}$ , $V_D=\frac{2}{3}V_{DRM}$ , Exponential wave.	500	V/ $\mu\text{s}$
$I_H$	Holding Current, typ.	$T_j=25^\circ\text{C}$	50	mA
$I_L$	Latching Current, typ.	$T_j=25^\circ\text{C}$	100	mA
$R_{th(j-c)}$	* Thermal Impedance, max.	Junction to case	0.2	°C/W

\* mark : Thyristor and Diode part. No mark : Thyristor part

