

Description

The PT6886 is an 80-line OLED row driver used with column driver PT6885 to drive dot-matrix OLED panels. It supports a bi-directional cascade interface, sleep mode control function as well as 80 output amplifiers. Pin assignments and application circuit are optimized for easy PCB layout and cost saving advantages.

Features

- CMOS Technology
- 80 Output Current Sinks
- High Speed Line Rate
- Low Power Consumption
- Maximum Operating Voltage: 16V
- Bi-Directional Cascade Interface
- Sleep Mode Control
- Available in C.O.B. and QFP Package

Applications

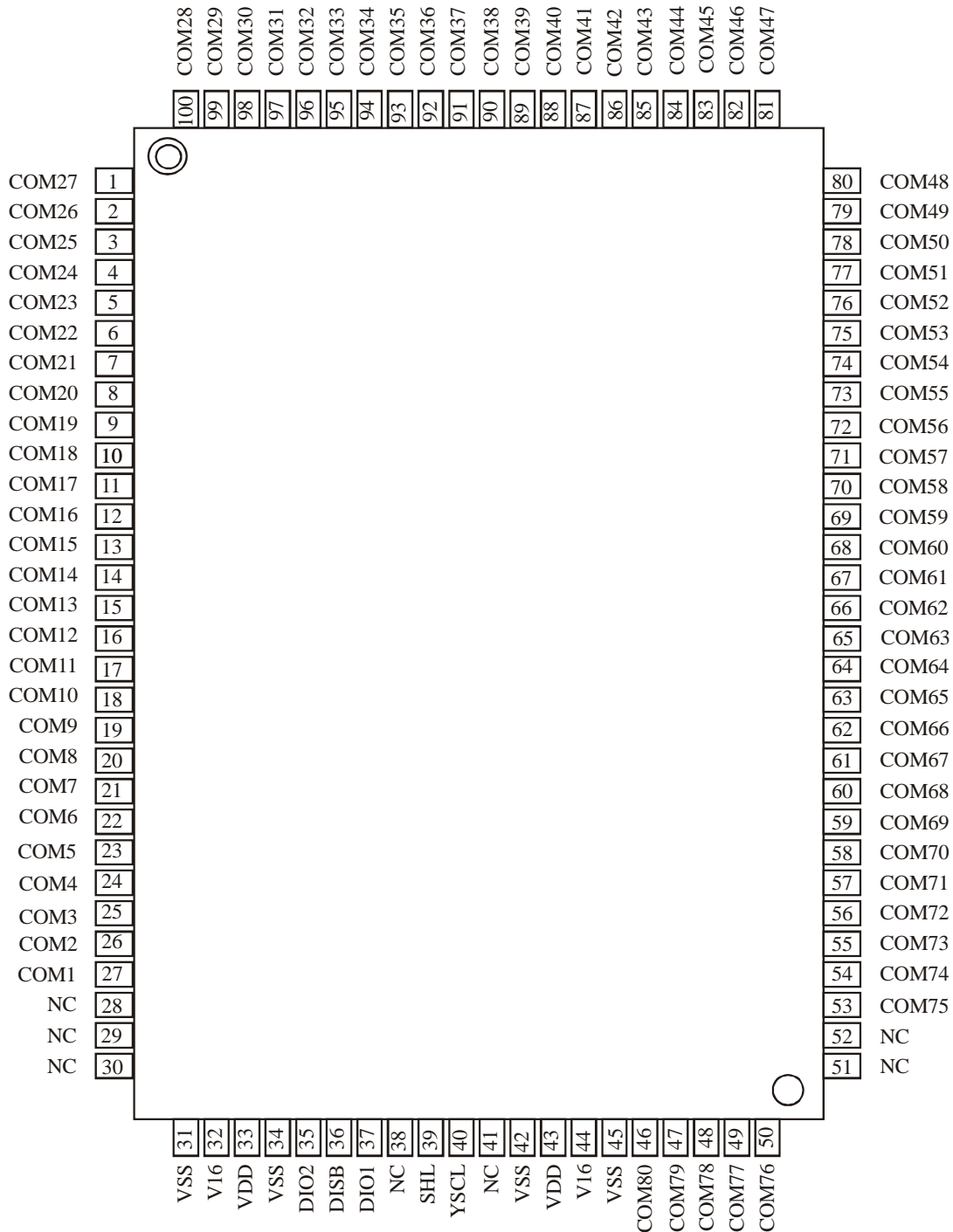
- OLED Display Pane

OLED Driver IC

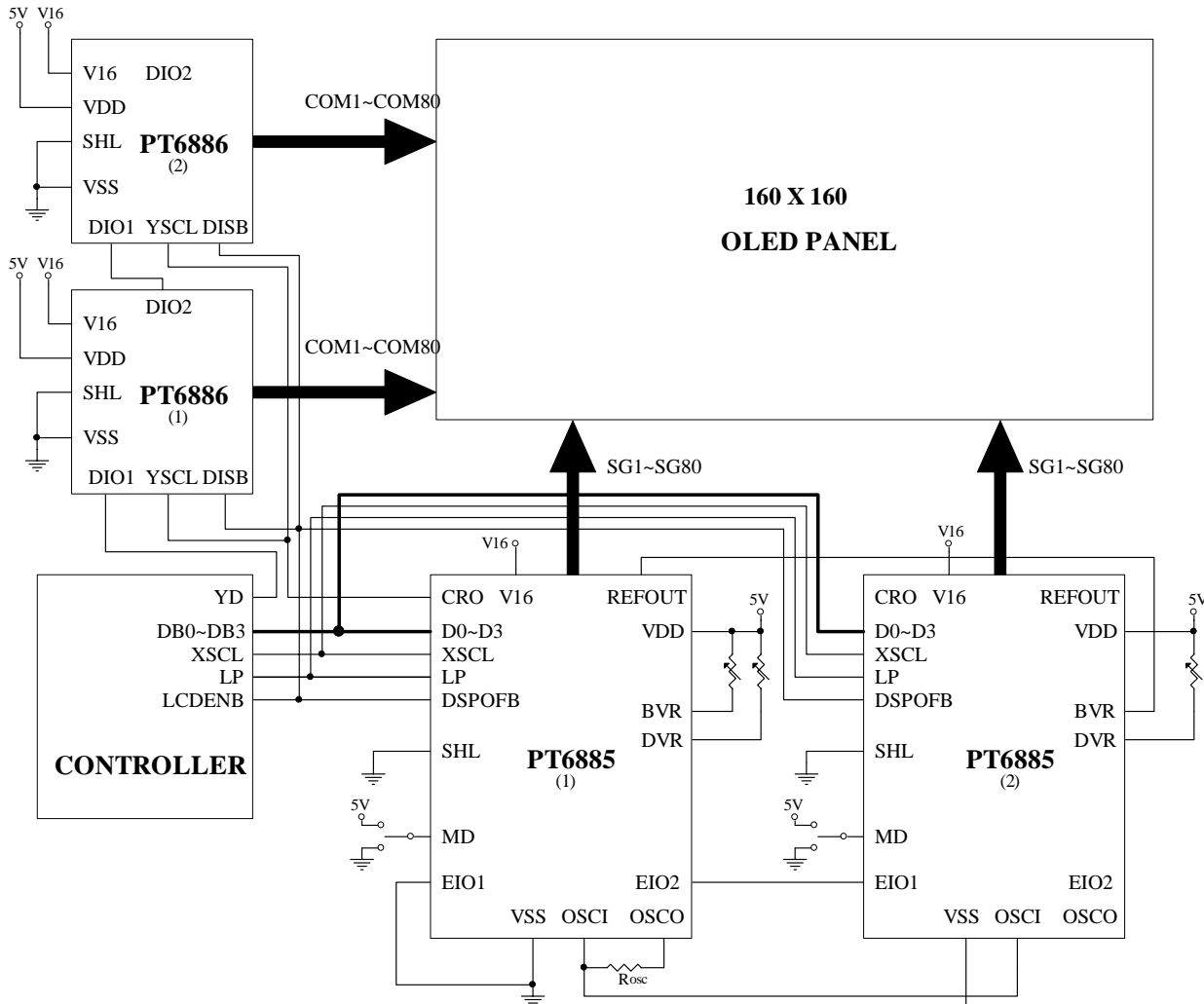
Preliminary

PT6886

Pin Configuration



Reference Application Circuit



- Notes:
1. If MD is connected to “HIGH” (5V), then the 4-Bit Parallel Mode is enabled. If MD is connected to “LOW” (GND), then the 1-Bit Serial Mode is enabled.
 2. If PT6886’s SHL Pin is connected to GND, then PT6886’s DIO1 Pin is used as an input and DIO2 Pin is used as an output.
 3. If PT6885’s SHL Pin is connected to GND, then PT6885’s EIO1 Pin is used as an input and EIO2 Pin is used as an output.
 4. Using the above OLED Panel, PTC recommends that external oscillation resistor -- *Rosc* is given the value of 160 kΩ. However, if the OLED Panel is different from that specified in this data sheet, the high pulse width of PT6885’s CRO Pin is dependent on the value of *Rosc*.