



LCD Driver IC

PT6601

DESCRIPTION

PT6601 is a Segment Driver LCD Driver IC utilizing CMOS Technology used for Large Scale Dot Matrix Liquid Crystal Graphic Displays. 80 bits of display data sent from a controller are latched using a 4-bit parallel transfer technique and LCD drive signals are generated. It can be used with Common LCD Driver, PT6630 to drive Large Screen LCD Panels.

FEATURES

- CMOS Technology
- Supports Display Duties from 1/64 to 1/256
- Operating Supply Voltage:
 - VDD (Logic Block): 5V \pm 10%
 - VDD -VEE (LCD Block): 12 to 32 V
- Operating Temperature: -20 to +75 °C
- Supports Power Reduction in Large Scale Panel via a Chip Disable Pin
- LCD Drive Circuit for 80 bits Display
- 4 -Bit Parallel Data Input
- Maximum of 6.0 MHz Data Transfer Clock and Bidirectional Shifting Supported
- Available in C.O.B. or 100-pin, QFP Package

APPLICATION

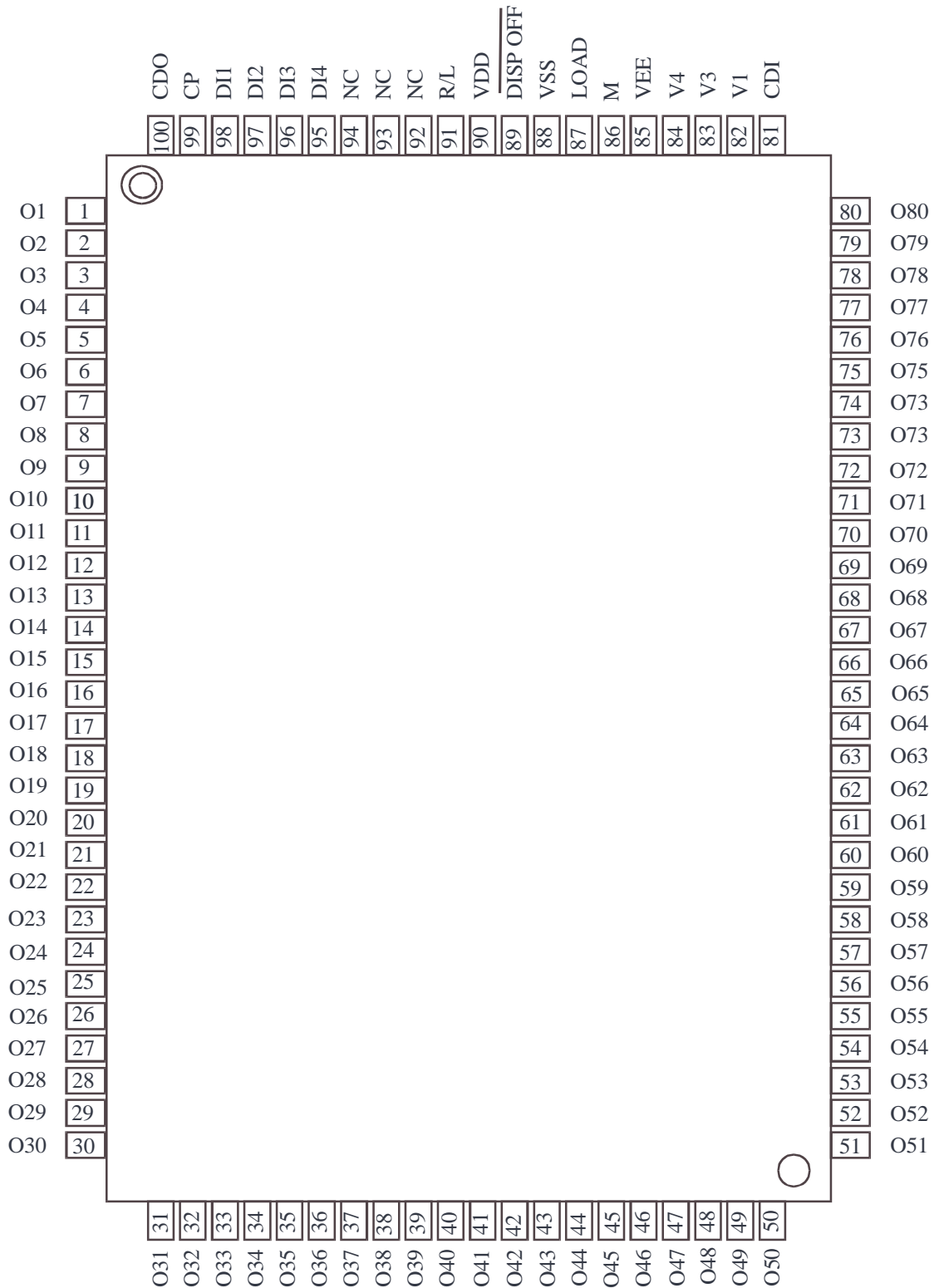
- Peripheral Device



LCD Driver IC

PT6601

PIN CONFIGURATION

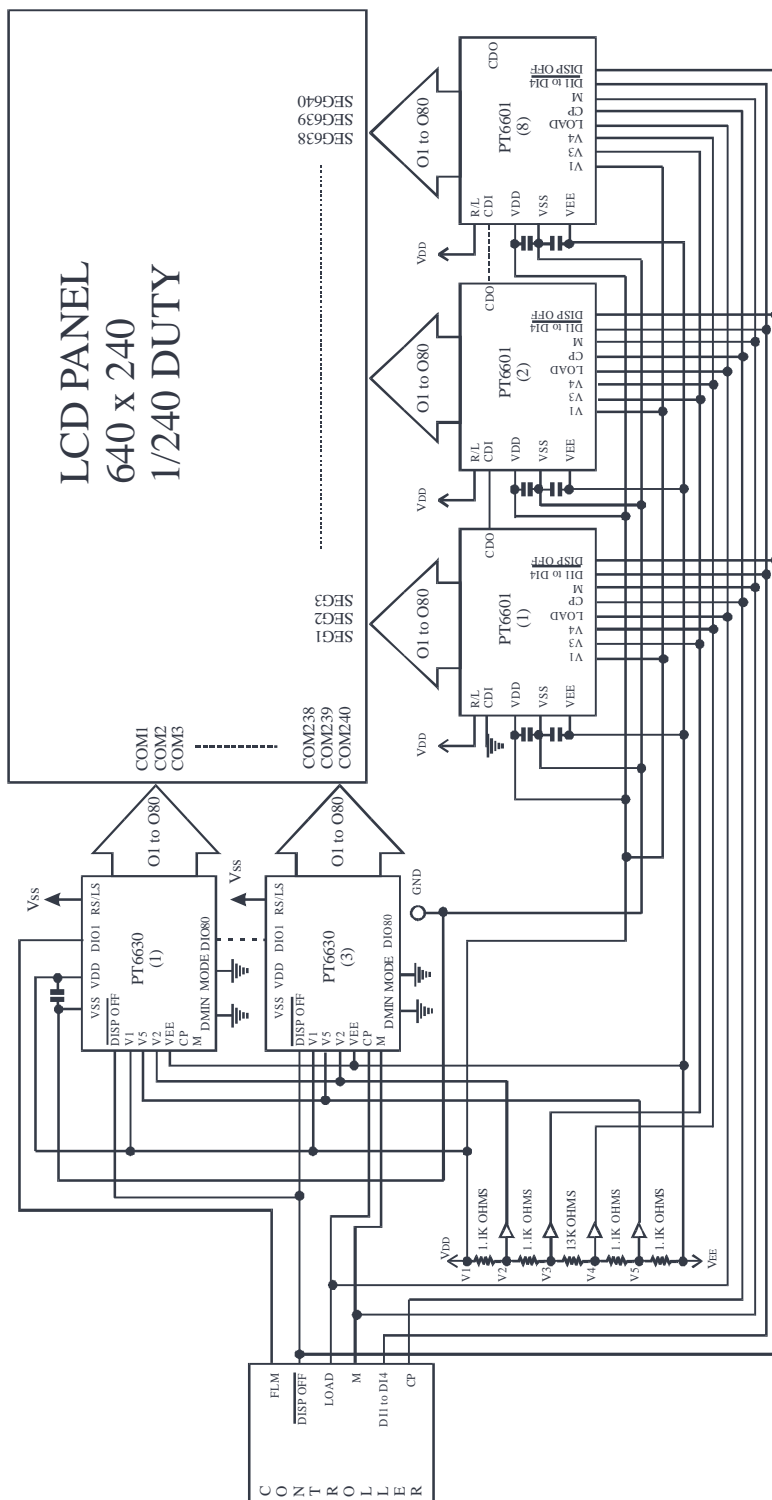




LCD Driver IC

PT6601

APPLICATION CIRCUIT



Note: VDD=5V, VEE=-20V, V1=5V, V2=3.4V, V3=1.5V, V4=-16.8V, V5=-18.4V



LCD Driver IC

PT6601

ORDER INFORMATION

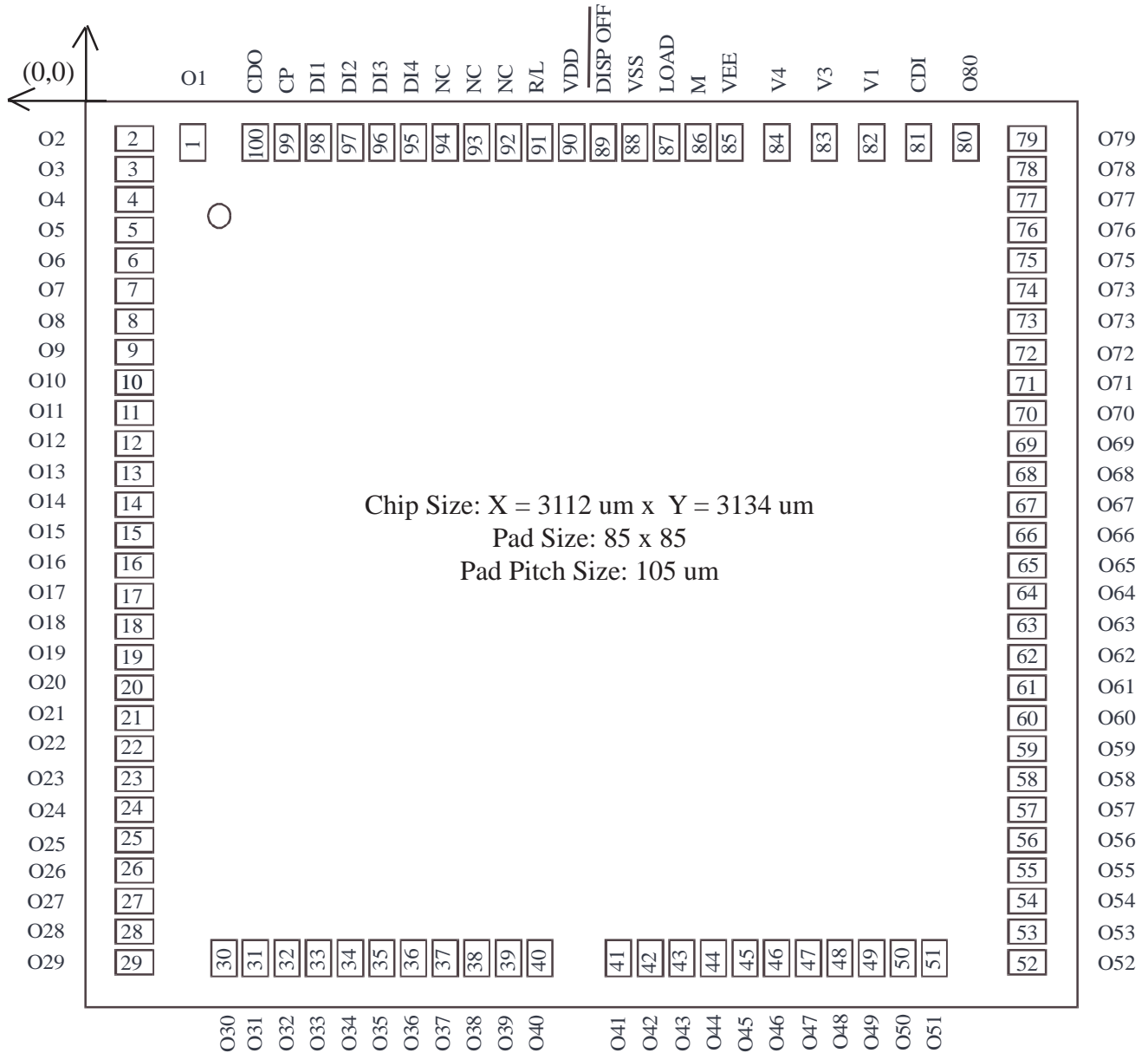
Valid Part Number	Package Type
PT6601	100 Pins, QFP Package
PT6601-H	C.O.B.



LCD Driver IC

PT6601

PAD CONFIGURATION





LCD Driver IC

PT6601

PAD LOCATION

PAD NO.	NAME	Location
1	O1	[113.3, 310.7]
2	O2	[89.8, 51.5]
3	O3	[194.8, 51.5]
4	O4	[299.8, 51.5]
5	O5	[404.8, 51.5]
6	O6	[509.8, 51.5]
7	O7	[614.8, 51.5]
8	O8	[719.8, 51.5]
9	O9	[824.8, 51.5]
10	O10	[929.8, 51.5]
11	O11	[1034.8, 51.5]
12	O12	[1139.8, 51.5]
13	O13	[1244.8, 51.5]
14	O14	[1349.8, 51.5]
15	O15	[1454.8, 51.5]
16	O16	[1559.8, 51.5]
17	O17	[1664.8, 51.5]
18	O18	[1769.8, 51.5]
19	O19	[1874.8, 51.5]
20	O20	[1979.8, 57.1]
21	O21	[2084.8, 51.5]
22	O22	[2189.8, 51.5]
23	O23	[2294.8, 51.5]
24	O24	[2399.8, 51.5]
25	O25	[2504.8, 51.5]
26	O26	[2609.8, 51.5]
27	O27	[2714.8, 51.5]
28	O28	[2819.8, 51.5]
29	O29	[2924.8, 51.5]
30	O30	[2873.3, 407.5]
31	O31	[2873.3, 512.5]
32	O32	[2873.3, 617.5]
33	O33	[2873.3, 722.5]
34	O34	[2873.3, 827.5]
35	O35	[2873.3, 932.5]
36	O36	[2873.3, 1037.5]
37	O37	[2873.3, 1142.5]
38	O38	[2873.3, 1247.5]
39	O39	[2873.3, 1352.5]
40	O40	[2873.3, 1457.5]
41	O41	[2873.3, 1636.1]
42	O42	[2873.3, 1741.1]
43	O43	[2873.3, 1846.1]
44	O44	[2873.3, 1951.1]
45	O45	[2873.3, 2056.1]



LCD Driver IC

PT6601

PAD NO.	NAME	Location
46	O46	[2873.3, 2161.1]
47	O47	[2873.3, 2266.1]
48	O48	[2873.3, 2371.1]
49	O49	[2873.3, 2476.1]
50	O50	[2873.3, 2581.1]
51	O51	[2873.3, 2686.1]
52	O52	[2924.8, 3042.1]
53	O53	[2819.8, 3042.1]
54	O54	[2714.8, 3042.1]
55	O55	[2609.8, 3042.1]
56	O56	[2504.8, 3042.1]
57	O57	[2399.8, 3042.1]
58	O58	[2294.8, 3042.1]
59	O59	[2189.8, 3042.1]
60	O60	[2084.8, 3042.1]
61	O61	[1979.8, 3042.1]
62	O62	[1874.8, 3042.1]
63	O63	[1769.8, 3042.1]
64	O64	[1664.8, 3042.1]
65	O65	[1559.8, 3042.1]
66	O66	[1454.8, 3042.1]
67	O67	[1349.8, 3042.1]
68	O68	[1244.8, 3042.1]
69	O69	[1139.8, 3042.1]
70	O70	[1034.8, 3042.1]
71	O71	[929.8, 3042.1]
72	O72	[824.8, 3042.1]
73	O73	[719.8, 3042.1]
74	O74	[614.8, 3042.1]
75	O75	[509.8, 3042.1]
76	O76	[404.8, 3042.1]
77	O77	[299.8, 3042.1]
78	O78	[194.8, 3042.1]
79	O79	[89.8, 3042.1]
80	O80	[113.3, 2777.9]
81	CDI	[113.3, 2635.8]
82	V1	[113.3, 2458]
83	V3	[113.3, 2260.2]
84	V4	[113.3, 2062.4]
85	VEE	[113.3, 1904.6]
86	M	[113.3, 1786.8]
87	LOAD	[113.3, 1669]
88	VSS	[113.3, 1551.2]
89	DISPOFFB	[113.3, 1433.4]
90	VCC	[113.3, 1315.6]



LCD Driver IC

PT6601

PAD NO.	NAME	Location
91	RL	[113.3, 1197.8]
92	NC	
93	NC	
94	NC	
95	DI4	[113.3, 1080]
96	DI3	[113.3, 962.2]
97	DI2	[113.3, 844.4]
98	DI1	[113.3, 726.6]
99	CP	[113.3, 608.8]
100	CDO	[113.3, 491]