
1/3 Duty General Purpose LCD Driver IC

PT6523

DESCRIPTION

PT6523 is an LCD Driver IC which can drive up to 156 segments. It can be used for frequency display in microprocessor-controlled radio receiver and in other display applications. PT6523 supports both 1/2 bias, 1/3 duty and 1/3 duty, 1/3 bias. Pin assignments and application circuit are optimized for easy PCB layout and cost saving advantages.

FEATURES

- Up to 156 Segments Outputs
- 1/3 Duty - 1/2 Bias and 1/3 Duty - 1/3 Bias Drive Techniques
- Power Saving Mode and all Segments OFF Function
- Direct Display of Display Data without using a Decoder
- RC Oscillation Circuit
- Power Supply Voltage: 4.5 to 6V
- LCD Drive Bias Voltage can be provided internally or externally
- Available in 64 pins, QFP or LQFP Package

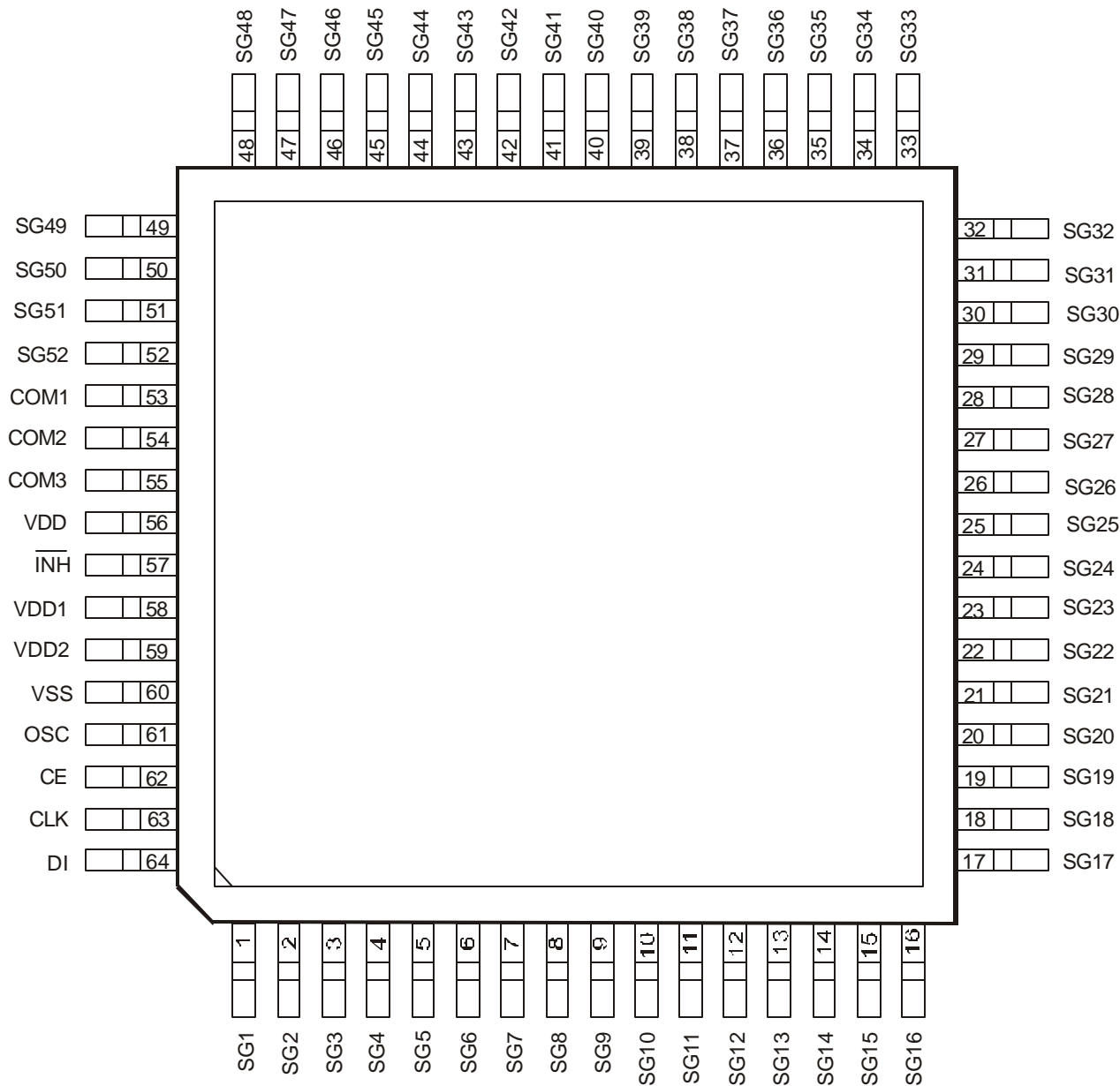
APPLICATIONS

- Electronic Dictionary / Translator
- P.O.S.
- Caller ID
- Pager
- Mini Compo
- Electronic Equipment with LCD Display

1/3 Duty General Purpose LCD Driver IC

PT6523

PIN CONFIGURATION

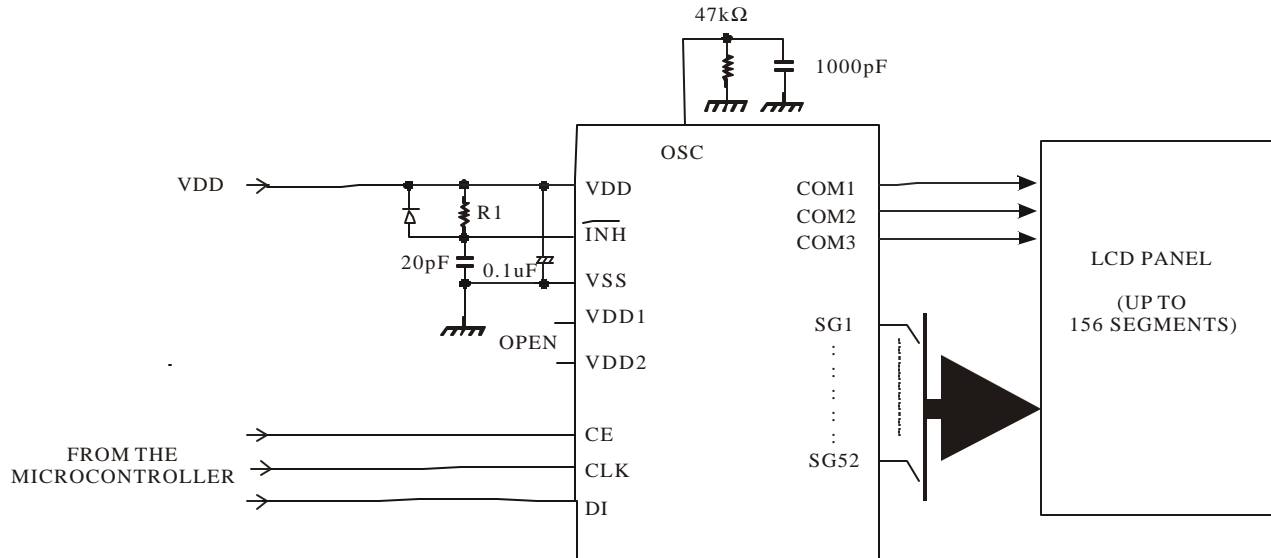


1/3 Duty General Purpose LCD Driver IC

PT6523

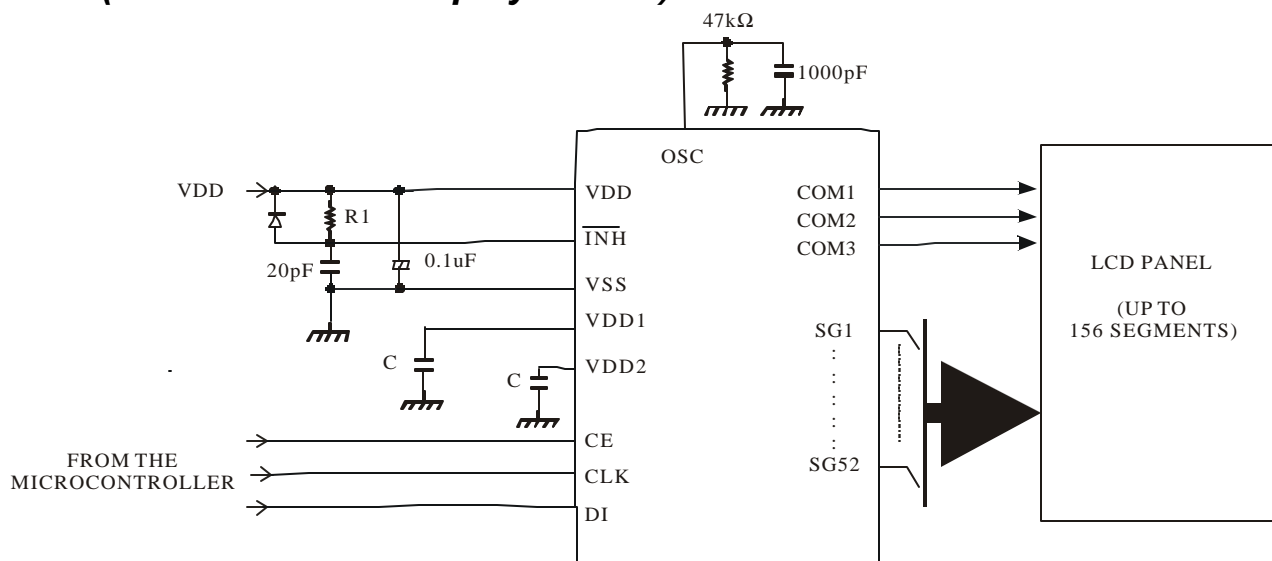
APPLICATION CIRCUIT 1

1/3 Bias (For Small Display Panel)



Note: 1. $39k\Omega \geq R1 \geq 10k\Omega$

1/3 Bias (for Normal Size Display Panels)

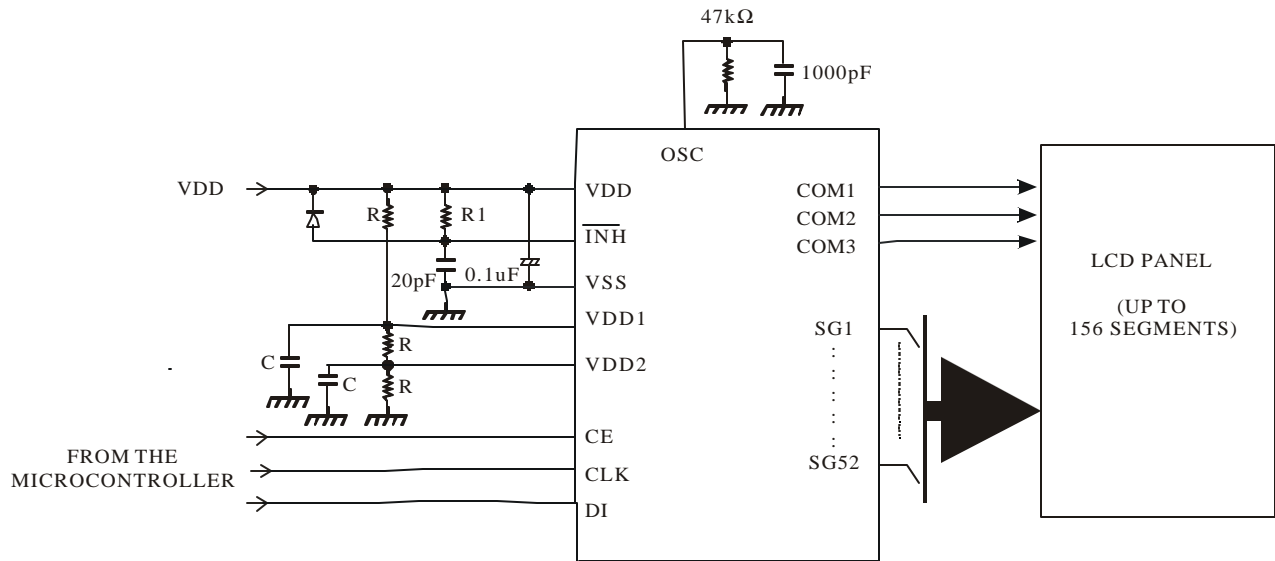


Notes: 1. $39k\Omega \geq R1 \geq 10k\Omega$

2. $C \geq 0.047\mu F$

APPLICATION CIRCUIT 3

1/3 Bias (For Large Panels)



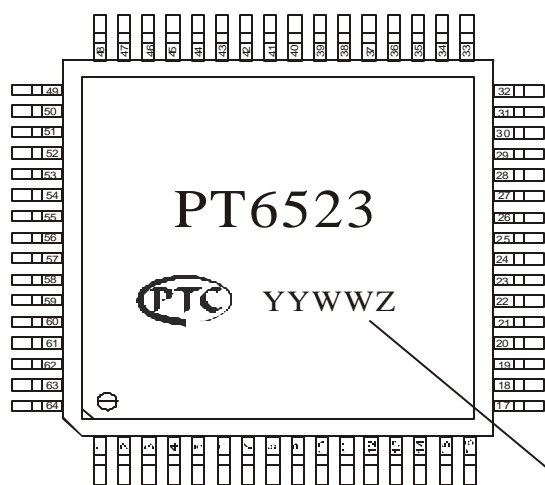
- Notes:
1. $39k\Omega \geq R1 \geq 10k\Omega$
 2. $C \geq 0.047\mu F$
 3. $10k\Omega \geq R \geq 1k\Omega$

1/3 Duty General Purpose LCD Driver IC

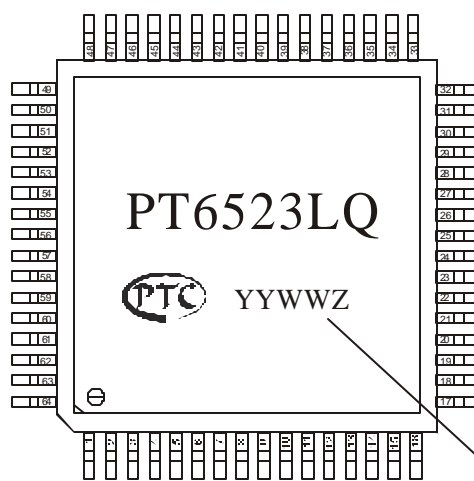
PT6523

ORDER INFORMATION

Valid Part Number	Package Type
PT6523	64 Pins, QFP Package
PT6523LQ	64 Pins, LQFP Package



Date Code



Date Code

where : YY WW Z

Version

Week Manufactured (Using the Calendar Year, the week where January 1st is included is defined as week 1. One year has 52 or 53 weeks.)

Year Manufactured (The last two digits of the year are printed here.)

