

## DESCRIPTION

PT2215 is a remote control transmitter utilizing CMOS Technology specially designed for RC5 infrared remote control applications. Although PT2215 does not contain a software programming processor, it however has a ROM which can store the codes that have been transmitted. PT2215 provides an option for a single or multi system transmitter. A single system has up to a maximum of 8 different systems per chip whereby selection is via jumper wire or switch. The multi system option provides a maximum of 8 systems via key selection. Pin assignments and application circuit are optimized for easy PCB layout and cost saving advantages.

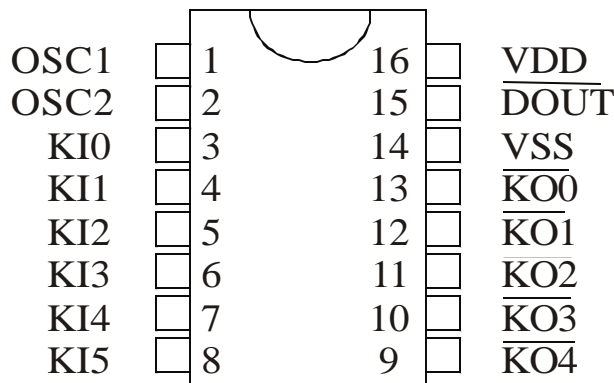
## FEATURES

- CMOS Technology
- RC5 Protocol
- Maximum of 56/30 keys (20-pin/16-pin version)
- Multi-System or Single System Transmitter Option
- Power Down and Key wake Up Functions
- High Output Current ( $\leq 45$  mA)
- Oscillation Frequency: 432 kHz or 4 MHz
- Multiple Key Protection
- 25% or 33% Duty Factor Option
- Available in 16-pin or 20-pin, DIP or SOP Package

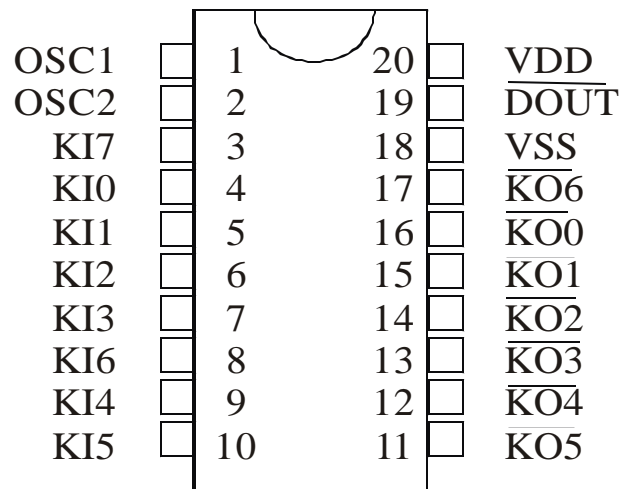
## APPLICATIONS

- Air Conditioner
- Television
- VCR
- Audio Equipment
- Multi-Media System

**PIN CONFIGURATION**



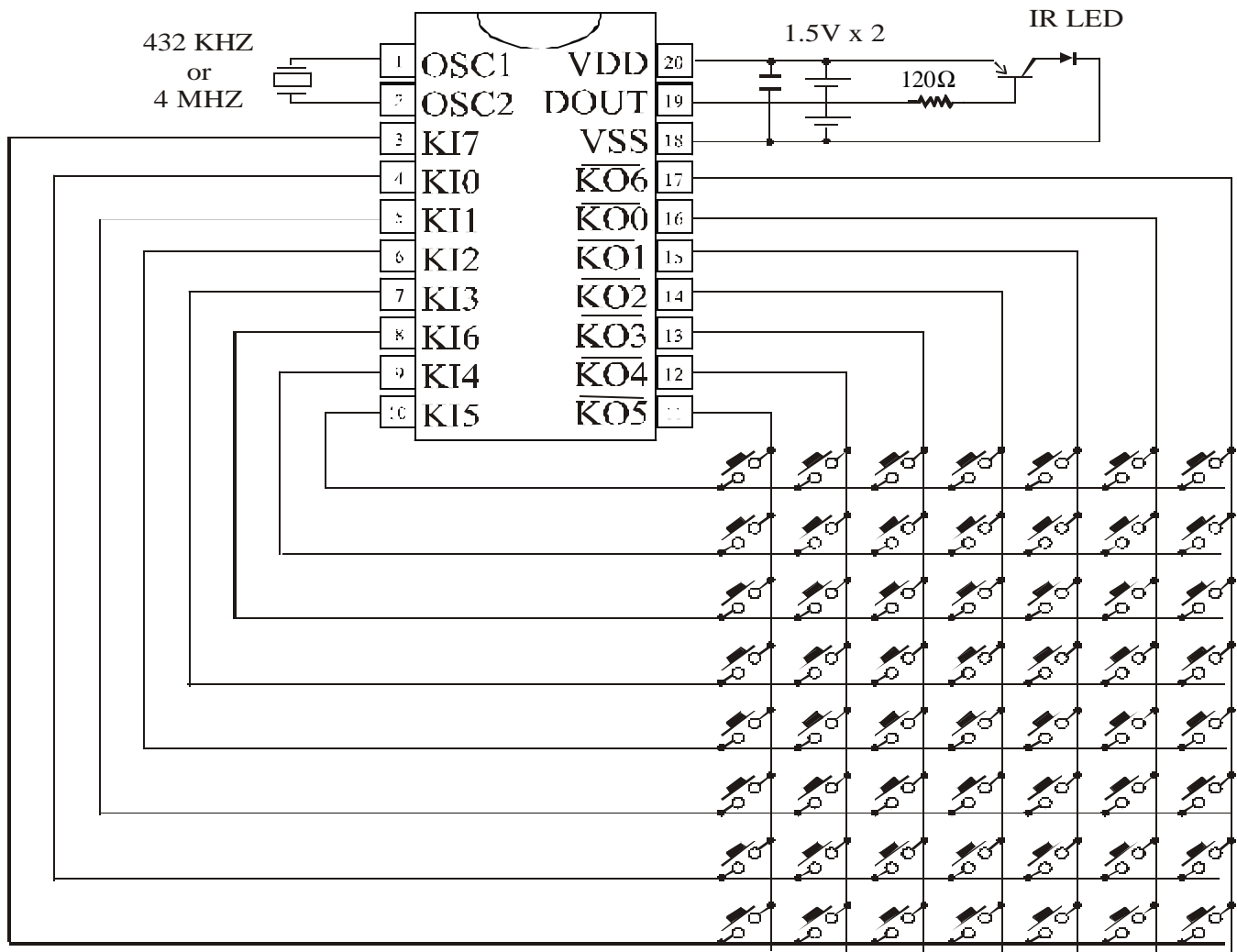
PT2215  
(16 PINS VERSION)



PT2215  
(20 PINS VERSION)

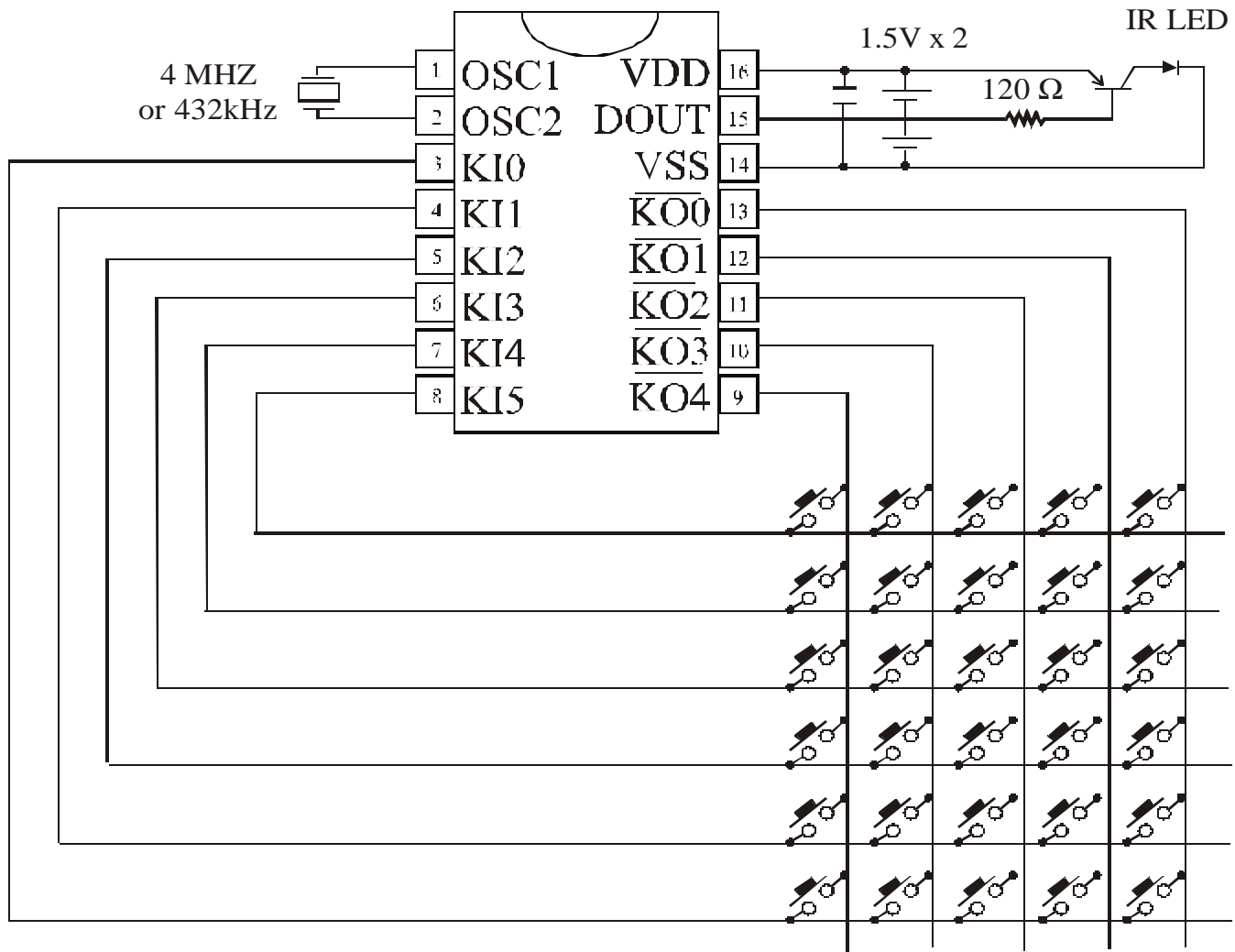
## APPLICATION CIRCUITS

### *PT2215 (20-pin) Application Circuit*



Note: External capacitors must be connected to generate the 432kHz Oscillation Frequency.

**PT2215 (16-pin) Application Circuit**



Note: External capacitors must be connected to generate the 432kHz Oscillation Frequency.

## ORDER INFORMATION

Part Number	Package Type	ROM Code
PT2215-040	20 Pins, SOP (300 mil)	040
PT2215-D-040	20 Pins, DIP (300 mil)	040
PT2215-16-040	16 Pins, SOP (300 mil)	040
PT2215-16D-040	16 Pins, DIP (300 mil)	040