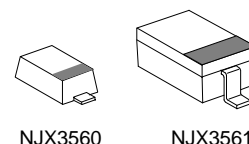


# SCHOTTKY BARRIER DIODE

## ■GENERAL DESCRIPTION

NJX3560/3561 is a GaAs schottky barrier diode with very low terminal capacitance. It is utilized for mixer and detector up to SHF band.

It is adopted a very small surface-mount plastic package.



NJX3560

NJX3561

## ■FEATURES

- Low Terminal Capacitance (0.17pF(NJX3560) / 0.19pF(NJX3561))
- Very Small SMD Package (VSDP / SDP)

## ■ABSOLUTE MAXIMUM RATINGS

(T<sub>a</sub>=25°C)

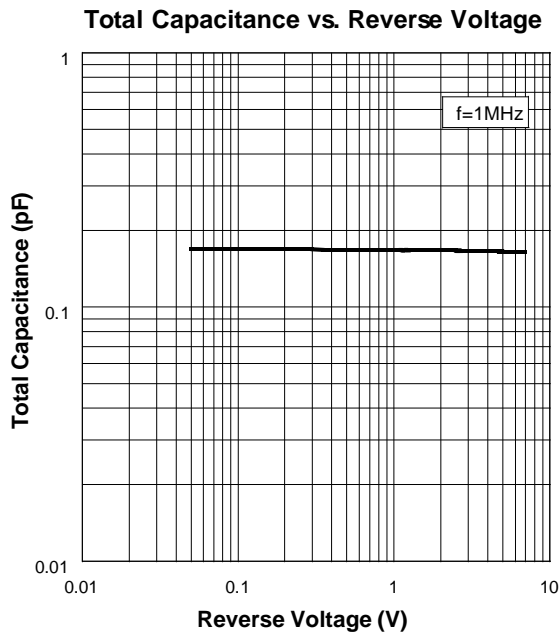
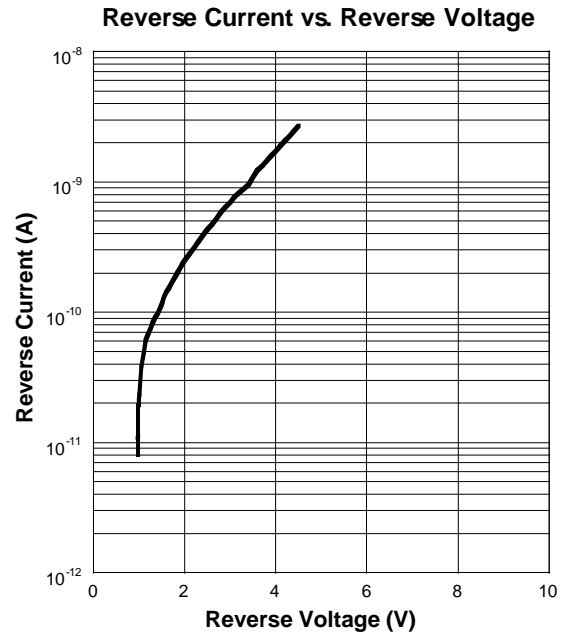
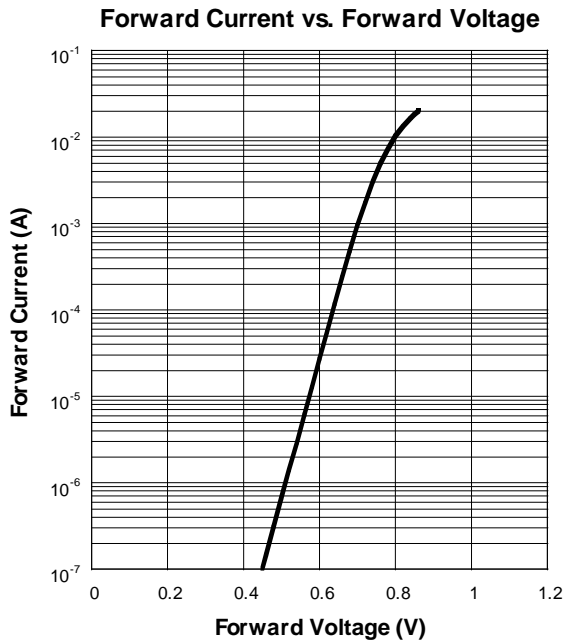
PARAMETER	SYMBOL	RATINGS	UNITS
Reverse Voltage	V <sub>R</sub>	4.5	V
Forward Current	I <sub>F</sub>	10.0	mA
Operating Temperature	T <sub>OP</sub>	-40~+85	°C
Storage Temperature	T <sub>STG</sub>	-55~+125	°C

## ■ELECTRICAL CHARACTERISTICS

(T<sub>a</sub>=25°C)

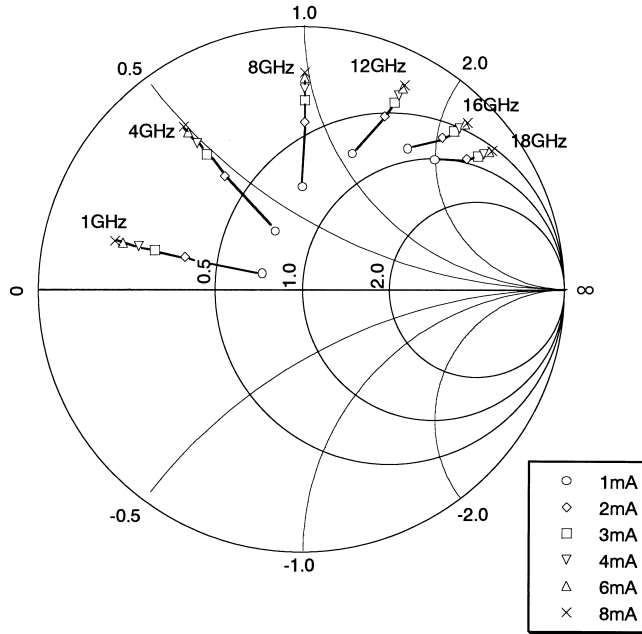
PARAMETER	SYMBOL	CONDITIONS	MIN	TYP	MAX	UNITS
Forward Voltage	V <sub>F</sub>	I <sub>F</sub> =10mA	-	0.8	0.9	V
Reverse Voltage	V <sub>R</sub>	I <sub>R</sub> =1.0uA	4.5	-	-	V
Reverse Current	I <sub>R</sub>	V <sub>R</sub> =1.0V	-	-	100	nA
Terminal Capacitance	C <sub>t</sub>	V <sub>R</sub> =0V, f=1MHz				pF
NJX3560			-	0.17	0.32	
NJX3561			-	0.19	0.34	

## ■ TYPICAL CHARACTERISTICS

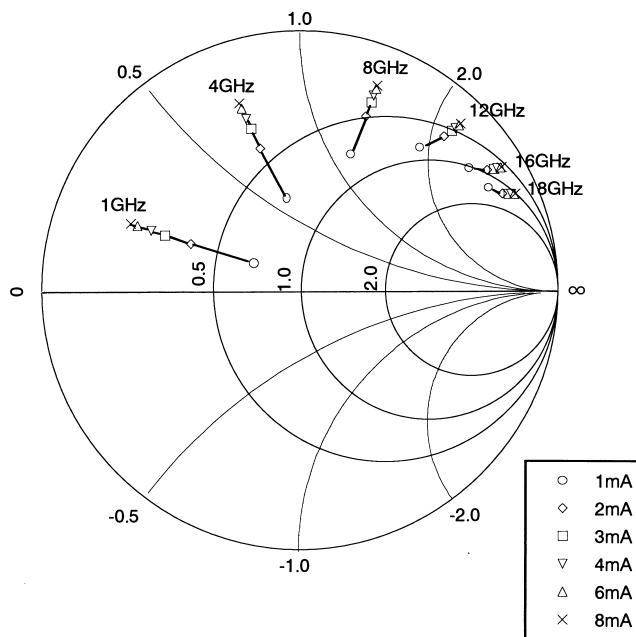


■ TYPICAL CHARACTERISTICS

NJX3560  
IMPEDANCE CHART



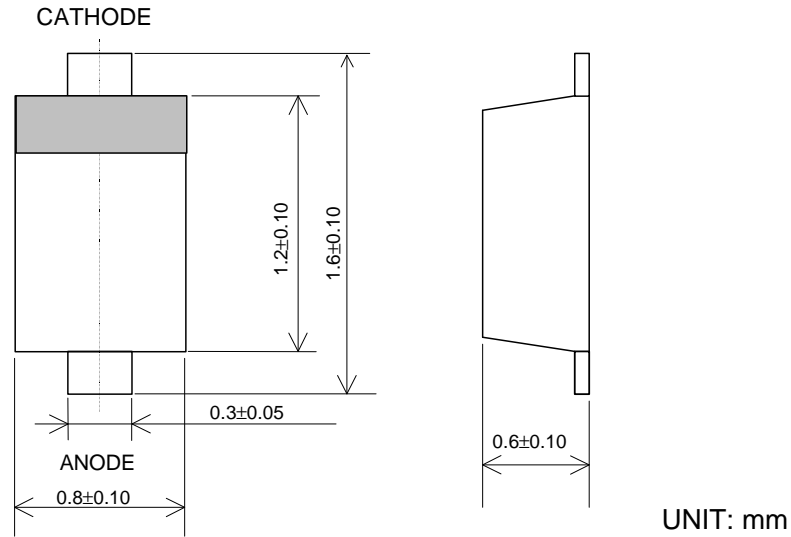
NJX3561  
IMPEDANCE CHART



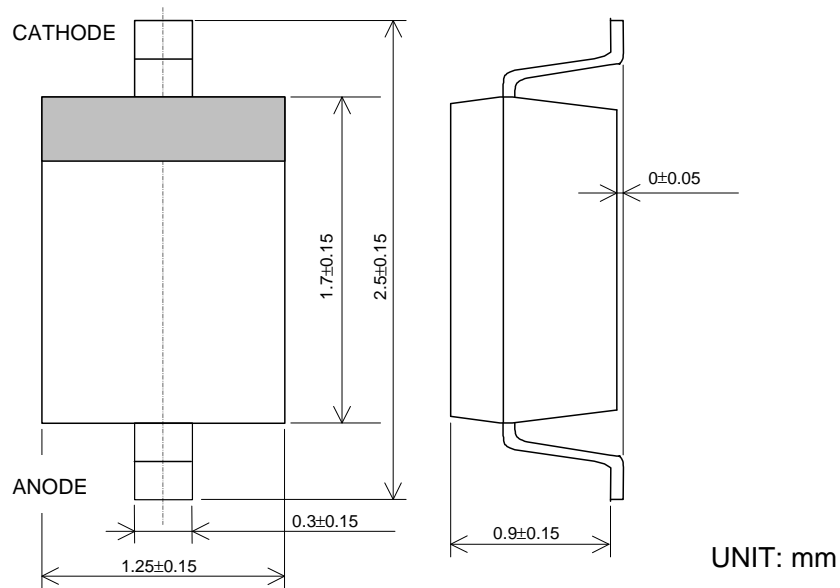
# NJX3560/61

## PACKAGE OUTLINE

### 1) NJX3560 (VSDP)



### 2) NJX3561 (SDP)



#### Cautions on using this product

This product contains Gallium-Arsenide (GaAs) which is a harmful material.

- Do NOT eat or put into mouth.
- Do NOT dispose in fire or break up this product.
- Do NOT chemically make gas or powder with this product.
- To waste this product, please obey the relating law of your country.

#### [CAUTION]

The specifications on this databook are only given for information, without any guarantee as regards either mistakes or omissions. The application circuits in this databook are described only to show representative usages of the product and not intended for the guarantee or permission of any right including the industrial rights.

This product may be damaged with electric static discharge (ESD) or spike voltage. Please handle with care to avoid these damages.