

## VOLTAGE DETECTOR

### ■ GENERAL DESCRIPTION

The NJU7700/01 is a low quiescent current voltage detector featuring high precision detection voltage. The detection voltage is fixed internally with an accuracy of 1.0%. NJU7700 is Nch. Open Drain and NJU7701 of output form is a C-MOS output.

### ■ PACKAGE OUTLINE

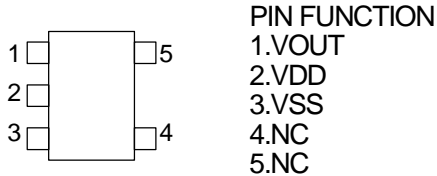


NJU7700/01F

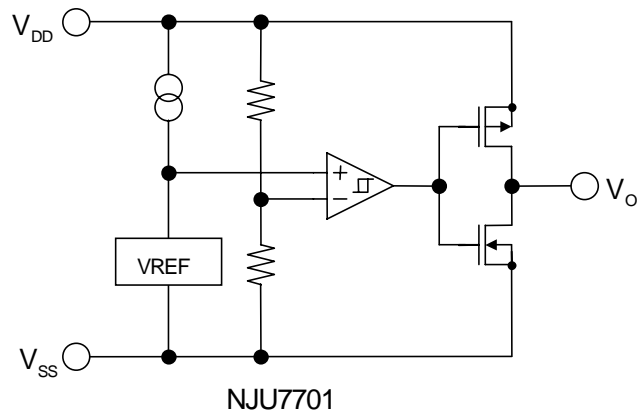
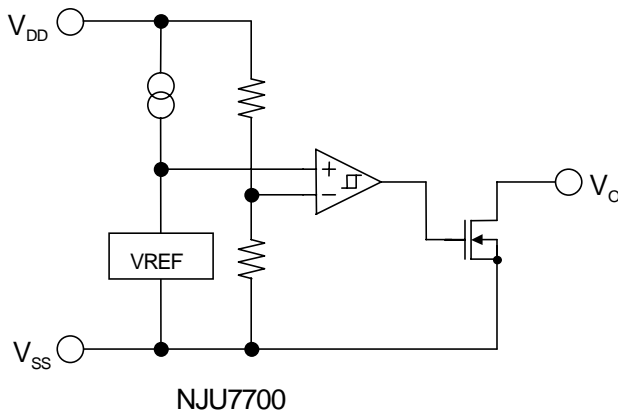
### ■ FEATURES

- High Precision Detection Voltage                     $\pm 1.0\%$
- Low Quiescent Current                                0.8 $\mu$ A typ.
- Detection Voltage Range                            1.3~6.0V(0.1V Step)
- Output Circuit Form                                NJU7700: Nch. Open Drain type  
   NJU7701: C-MOS Output
- Package Outline                                      MTP5 (SOT-23-5)

### ■ PIN CONFIGURATION



### ■ EQUIVALENT CIRCUIT



### ■ DETECTION VOLTAGE RANK LIST

Device Name	V <sub>DET</sub>	Device Name	V <sub>DET</sub>
NJU7700/01F13	1.3V	NJU7700/01F28	2.8V
NJU7700/01F21	2.1V	NJU7700/01F42	4.2V
NJU7700/01F22	2.2V	NJU7700/01F43	4.3V
NJU7700/01F23	2.3V	NJU7700/01F45	4.5V
NJU7700/01F27	2.7V	NJU7700/01F06	6.0V

# NJU7700/01

## ■ NJU7700

### ■ ABSOLUTE MAXIMUM RATINGS (Ta=25°C)

PARAMETER	SYMBOL	RATINGS	UNIT
Input Voltage	V <sub>DD</sub>	+10	V
Output Voltage	V <sub>OUT</sub>	V <sub>SS</sub> -0.3~+10	V
Output Current	I <sub>OUT</sub>	50	mA
Power Dissipation	P <sub>D</sub>	200	mW
Operating Temperature	T <sub>opr</sub>	-40 ~ +85	°C
Storage Temperature	T <sub>stg</sub>	-40 ~ +125	°C

### ■ ELECTRICAL CHARACTERISTICS (Ta=25°C)

PARAMETER	SYMBOL	TEST CONDITION	MIN.	TYP.	MAX.	UNIT	
Detection Voltage	V <sub>DET</sub>		-1.0%	-	+1.0%	V	
Hysteresis Voltage	V <sub>HYS</sub>		V <sub>DET</sub> ×0.03	V <sub>DET</sub> ×0.05	V <sub>DET</sub> ×0.08	V	
Quiescent Current	I <sub>SS</sub>	V <sub>DD</sub> =V <sub>DET</sub> +1V	V <sub>DET</sub> =1.3V~1.7V Version	-	0.5	1.0	uA
			V <sub>DET</sub> =1.8V~6.0V Version	-	0.8	1.6	
Output Current	I <sub>OUT</sub>	Nch, V <sub>DS</sub> =0.5V	V <sub>DD</sub> =1.2V	0.75	2.0	-	mA
			V <sub>DD</sub> =2.4V (≥2.7V Version)	4.5	7.0	-	
Output Leak Current	I <sub>LEAK</sub>	V <sub>DD</sub> =V <sub>OUT</sub> =9V	-	-	0.1	uA	
Detection Voltage Temperature Coefficient	Δ V <sub>DET</sub> / ΔTa	Ta=0 ~ +85°C	-	±100	-	ppm/°C	
Operating Voltage (*note 1)	V <sub>DD</sub>	R <sub>L</sub> =100kΩ	0.8	-	9	V	

\*note 1 : The minimum Operating Voltage(V<sub>OPL</sub>) indicates the same value of the output voltage(V<sub>OUT</sub>) on condition that V<sub>OUT</sub> becomes 10% or less of the input voltage(V<sub>DD</sub>).

■ NJU7701

■ ABSOLUTE MAXIMUM RATINGS (Ta=25°C)

PARAMETER	SYMBOL	RATINGS	UNIT
Input Voltage	V <sub>DD</sub>	+10	V
Output Voltage	V <sub>OUT</sub>	V <sub>SS</sub> -0.3 ~ V <sub>DD</sub> +0.3	V
Output Current	I <sub>OUT</sub>	50	mA
Power Dissipation	P <sub>D</sub>	200	mW
Operating Temperature	T <sub>opr</sub>	-40 ~ +85	°C
Storage Temperature	T <sub>stg</sub>	-40 ~ +125	°C

■ ELECTRICAL CHARACTERISTICS (Ta=25°C)

PARAMETER	SYMBOL	TEST CONDITION	MIN.	TYP.	MAX.	UNIT	
Detection Voltage	V <sub>DET</sub>		-1.0%	—	+1.0%	V	
Hysteresis Voltage	V <sub>HYS</sub>		V <sub>DET</sub> ×0.03	V <sub>DET</sub> ×0.05	V <sub>DET</sub> ×0.08	V	
Quiescent Current	I <sub>SS</sub>	V <sub>DD</sub> =V <sub>DET</sub> +1V	V <sub>DET</sub> =1.3V~1.7V Version	—	0.5	1.0	μA
			V <sub>DET</sub> =1.8V~6.0V Version	—	0.8	1.6	
Output Current	I <sub>OUT</sub>	Nch, V <sub>DS</sub> =0.5V	V <sub>DD</sub> =1.2V	0.75	2.0	—	mA
			V <sub>DD</sub> =2.4V (≥2.7V Version)	4.5	7.0	—	
		Pch, V <sub>DS</sub> =0.5V	V <sub>DD</sub> =4.8V (≤3.9V Version)	2.0	3.5	—	
			V <sub>DD</sub> =6.0V (4.0V~5.6V Version)	2.5	4.0	—	
			V <sub>DD</sub> =8.4V (≥5.7V Version)	3.0	5.0	—	
Detection Voltage Temperature Coefficient	Δ V <sub>DET</sub> / ΔTa	Ta=0 ~ +85°C	—	±100	—	ppm/°C	
Operating Voltage (*note 1)	V <sub>DD</sub>	R <sub>L</sub> =100kΩ	0.8	—	9	V	

\*note 1 : The minimum Operating Voltage(V<sub>OPL</sub>) indicates the same value of the output voltage(V<sub>OUT</sub>) on condition that V<sub>OUT</sub> becomes 10% or less of the input voltage(V<sub>DD</sub>).

**[CAUTION]**

The specifications on this databook are only given for information, without any guarantee as regards either mistakes or omissions. The application circuits in this databook are described only to show representative usages of the product and not intended for the guarantee or permission of any right including the industrial rights.