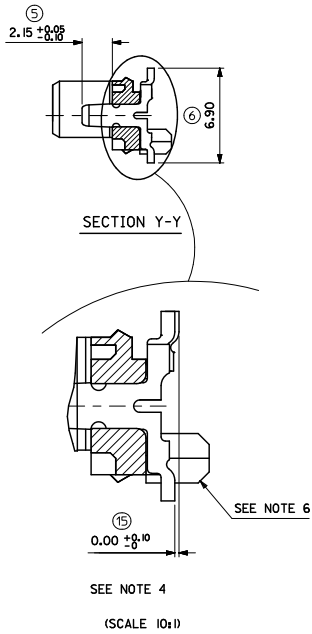


NOTES:  
 1) MATERIAL: HOUSING: NYLON (PA) GLASS FILLED, UL94 V-0, NATURAL (BEIGE)  
 TERMINAL - CARTRIDGE BRASS 0.28 REF THICK  
 2) PLATING:  
 TIN: TIN (Sn) 3-5 MICROMETRE OVER 1.27 MICROMETRE MIN NICKEL(Ni).  
 GOLD: 0.76 MICROMETRE SELECTIVE GOLD(Au) IN CONTACT AREA AND  
 SELECTIVE TIN(Sn) IN SOLDER TAIL AREA 3-5 MICROMETRE  
 OVER 1.27 MICROMETRE NICKEL(Ni) UNDERCOAT.  
 PALLADIUM NICKEL (PdNi): 0.6 MICROMETRE SELECTIVE PdNi WITH 0.05 MICROMETRE GOLD FLASH IN CONTACT AREA  
 AND 3-5 MICROMETRE SELECTIVE TIN IN SOLDER TAIL AREA  
 OVER 1.27 MICROMETRE NICKEL(Ni) UNDERCOAT.  
 3) MATES WITH MOLEX 90327 PART SERIES.  
 4) ALL SMT TAILS TO LIE WITHIN A COPLANARITY BAND OF  
 0.0 - 0.10 REF. FROM EACH OTHER.  
 5) FOR TAPE AND REEL PACKAGING SEE SDA-90814-9001  
 6) PCB PEGS ARE OPTIONAL.  
 7) PCB LAYOUT SHOWN ON SHEET 2.  
 8) PRODUCT SPECIFICATION: PS-99020-0011

INSPECTION NUMBERS USED ON SHEET 1: 1-50  
 LAST INSPECTION NUMBER: 15



90814 - \*\*

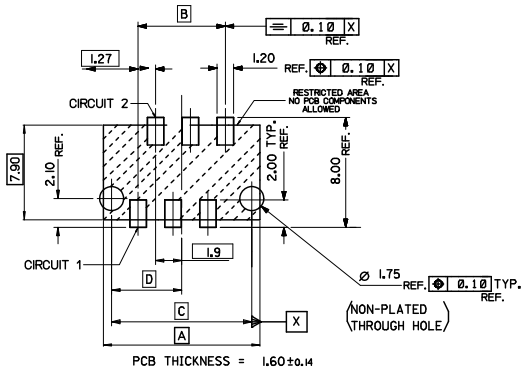
CIRCUIT SIZE

	PCB PEGS	TUBE PACKED	TAPE & REEL PACKED	POLARIZING PEG HEIGHT DIMN. E
0	YES	YES	NO	6.40
2	YES	NO	YES	6.40
3	NO	YES	NO	6.40
5	NO	NO	YES	6.40
6	NO	YES	NO	4.10
7	NO	NO	YES	4.10
8	YES	YES	NO	4.10
9	YES	NO	YES	4.10

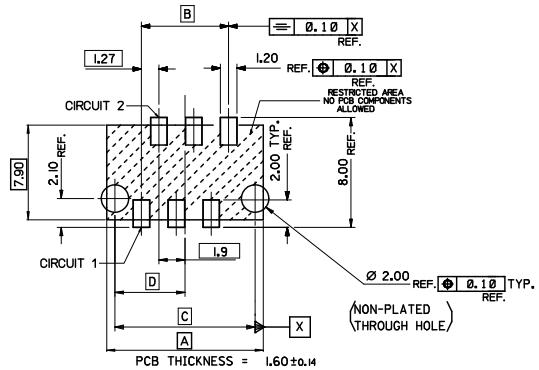
0= 3-5 MICROMETRE TIN VERSION  
 3= 0.76 MICROMETRE GOLD VERSION  
 7= 0.6 MICROMETRE PALLADIUM NICKEL VERSION

90814--26	26	36.80	31.75	35.60	14	YES
90814--24	24	34.26	29.21	33.06	15	YES
90814--22	22	31.72	26.67	30.52	16	YES
90814--20	20	29.18	24.13	27.98	18	YES
90814--18	18	26.64	21.59	25.44	20	YES
90814--16	16	24.10	19.05	22.90	22	YES
90814--14	14	21.56	16.51	20.36	25	YES
90814--12	12	19.02	13.97	17.82	28	YES
90814--10	10	16.48	11.43	15.28	32	YES
90814--08	8	13.94	8.89	12.74	38	YES
90814--06	6	11.40	6.35	10.20	46	YES
90814--04	4	8.86	3.81	7.66	60	YES
PART NO.	NUMBER OF CKTS	DIMN. A	DIMN. B	DIMN. C	QUANTITY OF PARTS PER TUBE (-0**/-3**/-6** & --8** VERSIONS)	TOOLED

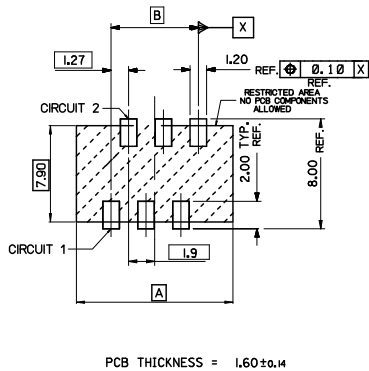
ADDED PLATING OPTION E.C. NO.: E2011-0471 DRWN:DSHEA 2011/07/01 CHKCD:JBYRNES 2011/07/11 APPR:EFOLAN 2011/08/08 REV DESCRIPTION	QUALITY SYMBOLS	GENERAL TOLERANCES (UNLESS SPECIFIED)	DIMENSION STYLE	SCALE	DESIGN UNITS	THIRD ANGLE PROJECTION	
	$\nabla=0$ $\nabla=0$	mm INCH	MM ONLY	5:1	METRIC		
		4 PLACES ± --- ± --- 3 PLACES ± --- ± --- 2 PLACES ± 0.10 ± --- 1 PLACE ± --- ± --- ANGULAR ± 1/2°	DRAWN BY DATE DMCNAMAR 2001/08/16 CHECKED BY DATE PCURTIN 2001/08/16 APPROVED BY DATE EFOLAN 2010/11/04	TITLE			
		DRAFT WHERE APPLICABLE MUST REMAIN WITHIN DIMENSIONS	MATERIAL NO. SEE CHART	DOCUMENT NO. SDA-90814	SHEET NO. 1 OF 2	PICOFLEX SMT HEADER MOLEX INCORPORATED THIS DRAWING CONTAINS INFORMATION THAT IS PROPRIETARY TO MOLEX INCORPORATED AND SHOULD NOT BE USED WITHOUT WRITTEN PERMISSION	



PCB LAYOUT FOR TRANSITION FIT WITH PCB PEGS  
 HEADER VERSIONS 90814-00-20-20-80-90-  
 VIEWED FROM COMPONENT SIDE



PCB LAYOUT FOR CLEARANCE FIT WITH PCB PEGS  
 HEADER VERSIONS 90814-00-20-20-80-90-  
 VIEWED FROM COMPONENT SIDE



PCB LAYOUT FOR HEADERS WITHOUT PCB PEGS  
 HEADER VERSIONS 90814-30-50-60-70-  
 VIEWED FROM COMPONENT SIDE

PART NO.	NUMBER OF CKTS	DIMN. A	DIMN. B	DIMN. C	DIMN. D
90814-0026	26	36.80	31.75	35.60	17.80
90814-0024	24	34.26	29.21	33.06	16.53
90814-0022	22	31.72	26.67	30.52	15.26
90814-0020	20	29.18	24.13	27.98	13.99
90814-0018	18	26.64	21.59	25.44	12.72
90814-0016	16	24.10	19.05	22.90	11.45
90814-0014	14	21.56	16.51	20.36	10.18
90814-0012	12	19.02	13.97	17.82	8.91
90814-0010	10	16.48	11.43	15.28	7.64
90814-0008	8	13.94	8.89	12.74	6.37
90814-0006	6	11.40	6.35	10.20	5.10
90814-0004	4	8.86	3.81	7.66	3.83

REMOVED 34 CIRCUIT SIZE IEC NO. E2011-0471 DRWN:DSHEA 2011/07/01 CHKD:BYRNES 2011/07/11 APPR:EFOLAN 2011/08/08 REV DESCRIPTION	QUALITY SYMBOLS	GENERAL TOLERANCES (UNLESS SPECIFIED)	DIMENSION STYLE MM ONLY	SCALE 5:1	DESIGN UNITS METRIC	THIRD ANGLE PROJECTION
	$\nabla=0$ $\nabla=0$	4 PLACES ± --- ± --- 3 PLACES ± --- ± --- 2 PLACES ± 0.10 ± --- 1 PLACE ± 0.2 ± --- ANGULAR ±1/2°	DRAWN BY DATE JMCNAMAR 2001/08/23 CHECKED BY DATE BMAGUIRE 2001/08/23 APPROVED BY DATE EFOLAN 2010/11/04	TITLE PICOFLEX SMT HEADER	MATERIAL NO. SDA-90814	SHEET NO. 2 OF 2
	DRAFT WHERE APPLICABLE MUST REMAIN WITHIN DIMENSIONS	SEE CHART	MOLEX INCORPORATED			
	THIS DRAWING CONTAINS INFORMATION THAT IS PROPRIETARY TO MOLEX INCORPORATED AND SHOULD NOT BE USED WITHOUT WRITTEN PERMISSION					