

Series **D xx S 24A 6 xx 09 LF**

Number of contacts  
09 , 15 , 25 , 37 , 50

Contacts  
S : Socket

Plating  
6 : 500 Mating / Unmating Mini

Packaging specification  
Tray

See Note RoHS

### Termination

Code	Type	Foot Print/Pitch	Length of termination	PCB thickness
24A	Straight version	6 / 2.84mm	2	1.6

### Mounting Options

RL	Insert M3
RV	Female Screw UNC 4-40
RX	Insert UNC 4-40

### NOTE RoHS INFORMATION

- The "LF" product meet european union Directives and other country regulations as described in GS-22-008.
- The housing will withstand exposure to 260° peak temperature for 30 seconds in a convection, infra-red or vapor reflow oven. See application notes/procedures if are available.
- Termination plating spec: 1.27µ Nickel mini, 2.5 to 7.5µ Sn(pure mate)
- Shell plating : Nickel bright
- Accessories : Sn pure bright
- Packaging spec ; See GS-14-920

### Product Specification

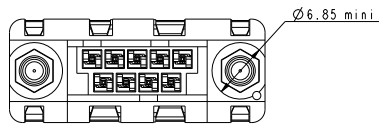
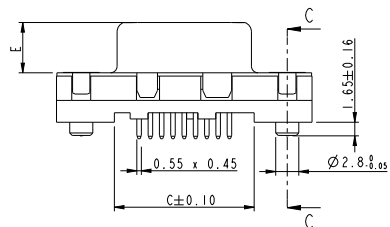
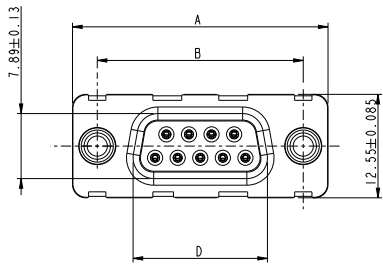
see : GS-12-372

### Packaging Specification

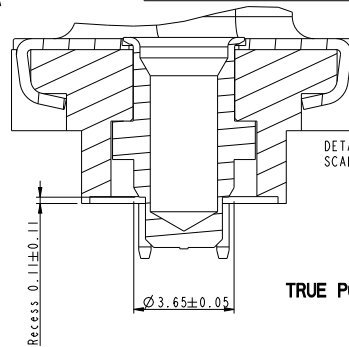
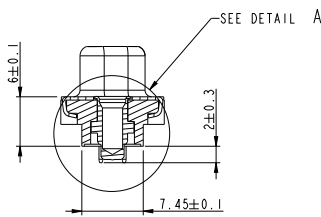
See GS-14-1061

rev	ecn no	dr	date
H	110-0197	NG	2010-10-14
-	-	-	-
-	-	-	-
D	LS06-0220	PCR	2006/12/21
E	LS07-0007	PCR	2007/01/11
F	LS07-0050	HLE	2007/02/03
G	110-0120	NG	2010-05-27

www.fciconnect.com		surface ISO 1302	tolerance std ISO 406 ISO 1101	projection mm
		TOLERANCES UNLESS OTHERWISE SPECIFIED		
Dr	P. CRON	02/02/06	ANGULAR	0.X ±0.3
Eng	H. LEGALLIC	02/02/06	LINEAR	0.XX ±0.1
Chr	NIRMAL G	2010-10-14	0° ±2°	0.XXX ±0.05
Appr	SUDHIR V	2010-10-14	Product family	- Spec ref
TITLE		SUB DELTA D PIP FEMALE H=2		size A3
catalog no		SEE TABLE		Scale 1:1
		CUSTOMER		ECN 110-0197
		CUSTOMER		dwg no C01-8646-0879
		CUSTOMER		Rev. H
		CUSTOMER		sheet 1 of 3

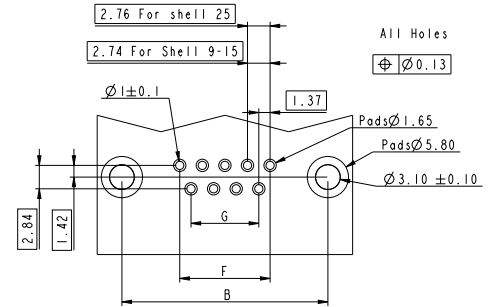


SECTION C-C

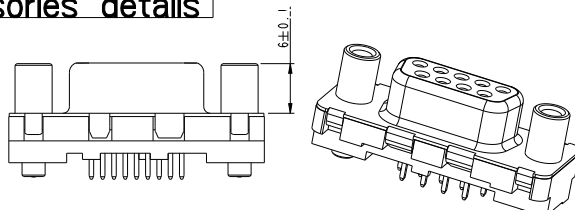
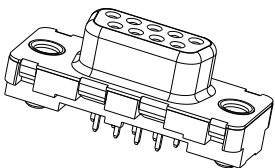


TRUE POSITIONING :  $\oplus \text{Ø}0.36$

PCB Card Drilling dimensions and Pads recommended (after plating - Thickness : 160 µm)



Accessories details

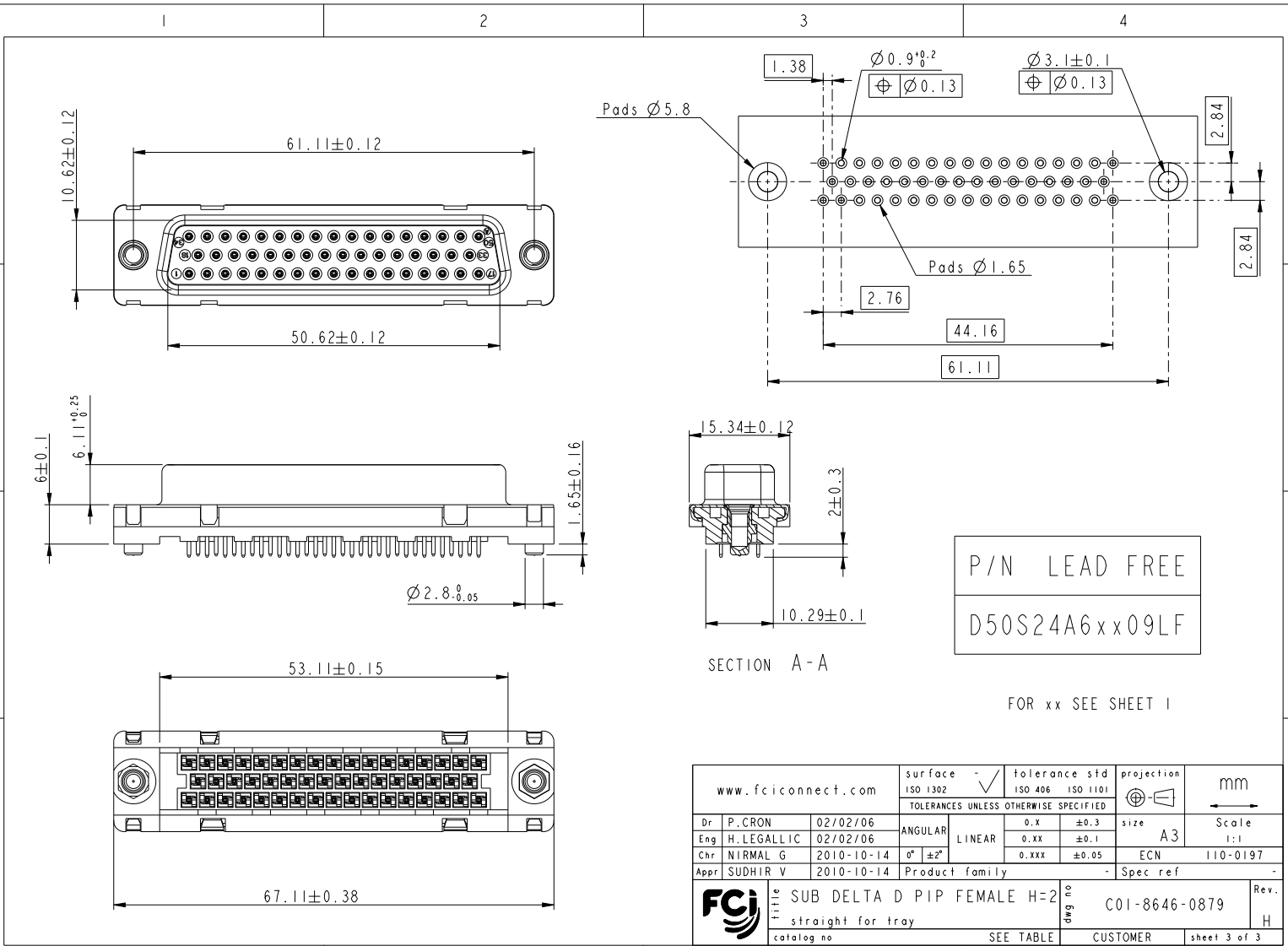


TYPE RX / RL

TYPE RV

SHELL	P/N LEAD FREE	A ±0.38	B ±0.10	C ±0.10	D +0.25 0	F	G
09	D09S24A6xx09LF	30.81	24.99	16.96	16.21	10.96	8.22
15	D15S24A6xx09LF	39.14	33.32	25.18	24.54	19.18	16.44
25	D25S24A6xx09LF	53.03	47.04	39.12	38.25	33.12	30.36
37	D37S24A6xx09LF	69.32	63.50	55.68	54.71	49.68	46.92

www.fciconnect.com		surface	tolerance std	projection	mm
		ISO 1302	ISO 406	ISO 1101	
TOLERANCES UNLESS OTHERWISE SPECIFIED					
Dr P. CRON	02/02/06	ANGULAR	0.x	±0.3	size A2
Eng H. LEGALLIC	02/02/06	LINEAR	0.xxx	±0.1	Scale 1:1
Chr NIRMAL G	2010-10-14	Ø <sup>+</sup> ±2 <sup>+</sup>	0.xxx	±0.05	ECN 110-0197
Appr SUDHIR V	2010-10-14	Product family			Spec ref
FCI SUB DELTA D PIP FEMALE H=2		SEE TABLE	Rev. C01-8646-0879	H	
Straight for tray			CUSTOMER	sheet 2 of 3	
category no					



P/N LEAD FREE  
D50S24A6 x x 09LF

FOR xx SEE SHEET 1

www.fciconnect.com		surface ISO 1302	tolerance std ISO 406 ISO 1101	projection mm	
		TOLERANCES UNLESS OTHERWISE SPECIFIED			
Dr	P. CRON	02/02/06	ANGULAR	0.X ± 0.3	size A3 Scale 1:1
Eng	H. LEGALLIC	02/02/06	LINEAR	0.XX ± 0.1	ECN 110-0197
Chr	NIRMAL G	2010-10-14	0° ± 2°	0.XXX ± 0.05	- Spec ref
Appr	SUDHIR V	2010-10-14	Product family		
TITLE		SUB DELTA D PIP FEMALE H=2		dwg no	Rev.
straight for tray				C01-8646-0879	H
catalog no		SEE TABLE		CUSTOMER	sheet 3 of 3

REV F 2006 04-11