



Features & Benefits

- NTT-FC* connector design
- One-piece body design for quick & easy assembly
- Precision APC ferrule
 - Superior performance
- Low insertion loss:
 - < .25 dB TYP SM
- Low return loss:
 - < 60 dB
- Compatible with all APC hardware
 - Standard NTT-FC key
 - Tight fit key (compatible with other manufacturers)

Applications

- Telecommunication networks
- CATV networks

The Molex FC Angled Physical Contact (APC) connector series combines a NTT-FC connector design with a uniquely precise, pre-angled, pre-radiused and pre-polished ferrule to deliver superior APC performance. This connector is available with either the NTT-FC standard or non-standard, tight fit key configuration.

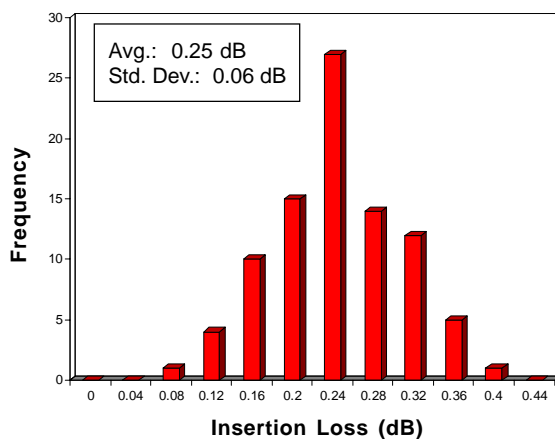
In angled fiber optic connectors, the ferrule endface geometry is especially critical. This is the reason Molex has developed a unique polishing process which not only polishes an 8 degree angle on the ferrule endface, but also a 10mm radius. With this endface geometry, physical contact of the fibers is maintained ensuring a minimum insertion loss and a maximum return loss. Combining the pre-polished ferrule with the preassembled 1-piece body design produces a superior performance APC connector that is easy to terminate in either the factory or in the field.

Flange mount or "D" hole adapters, in both standard or tight fit key configurations, provide connector-to-connector mating.

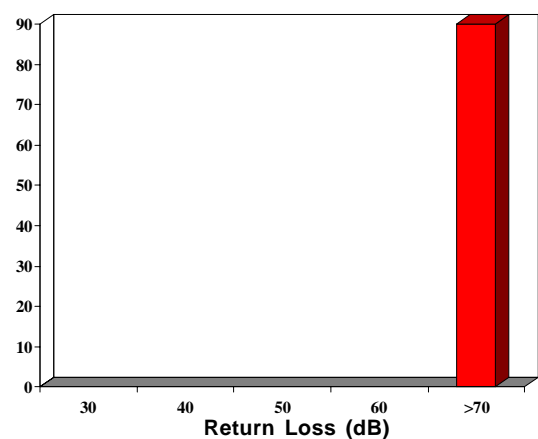
*NTT-FC is a trademark of NTT Advanced Technology Corporation

Optical Performance Distribution

Insertion Loss Performance
(SM, APC ferrule, 9/125µm fiber)



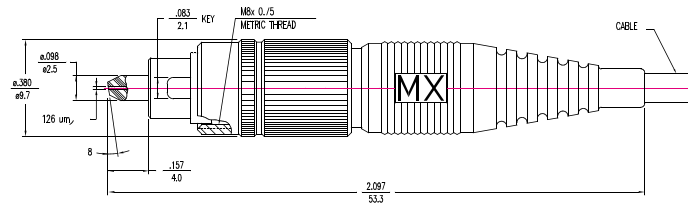
Return Loss Performance
(9/125µm fiber, measured at 1550nm)



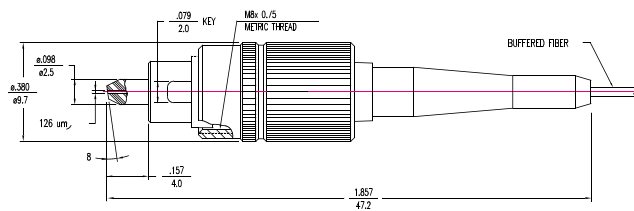
FC/APC Connectors & Adapters

Mechanical Dimensions

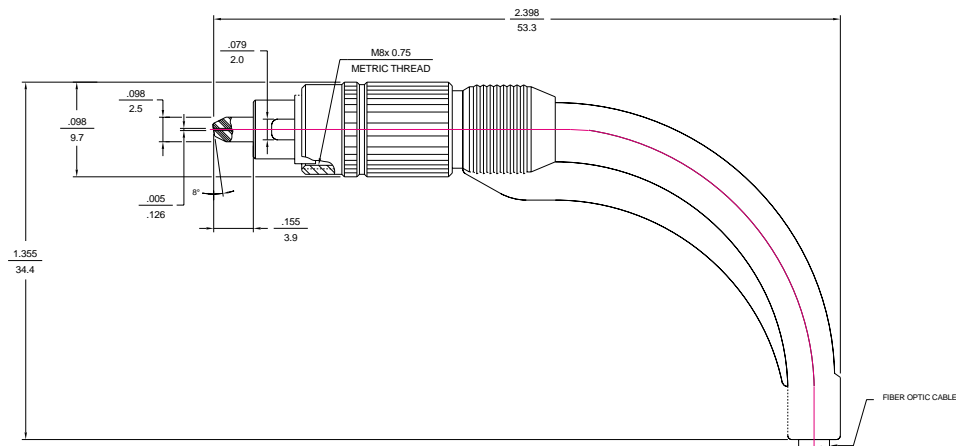
FC/APC Connector, Standard Key, 3mm Boot Style



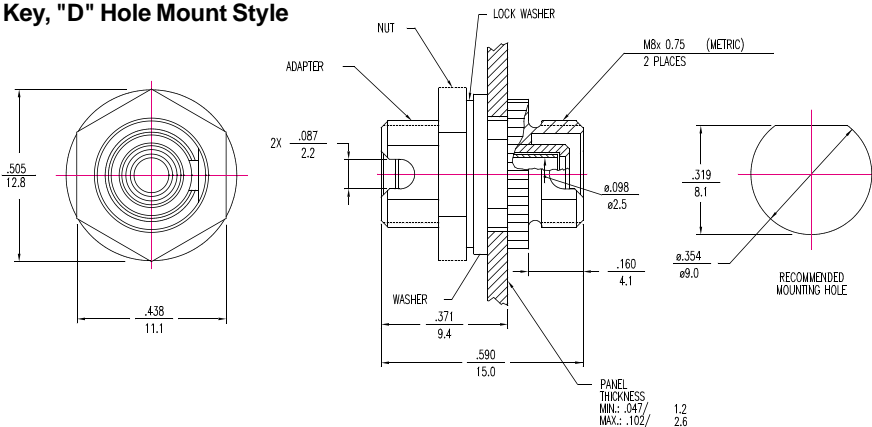
FC/APC Connector, Tight Fit Key, 900μm Boot Style



FC/APC Connector, Tight Fit Key, 90° Boot Style



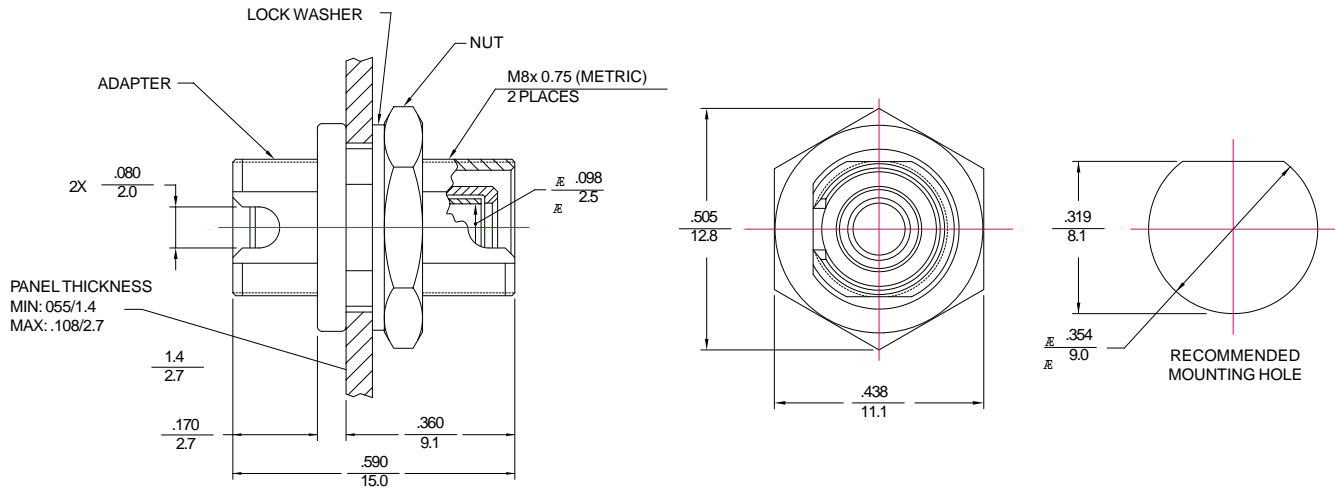
FC Adapter, Standard Key, "D" Hole Mount Style



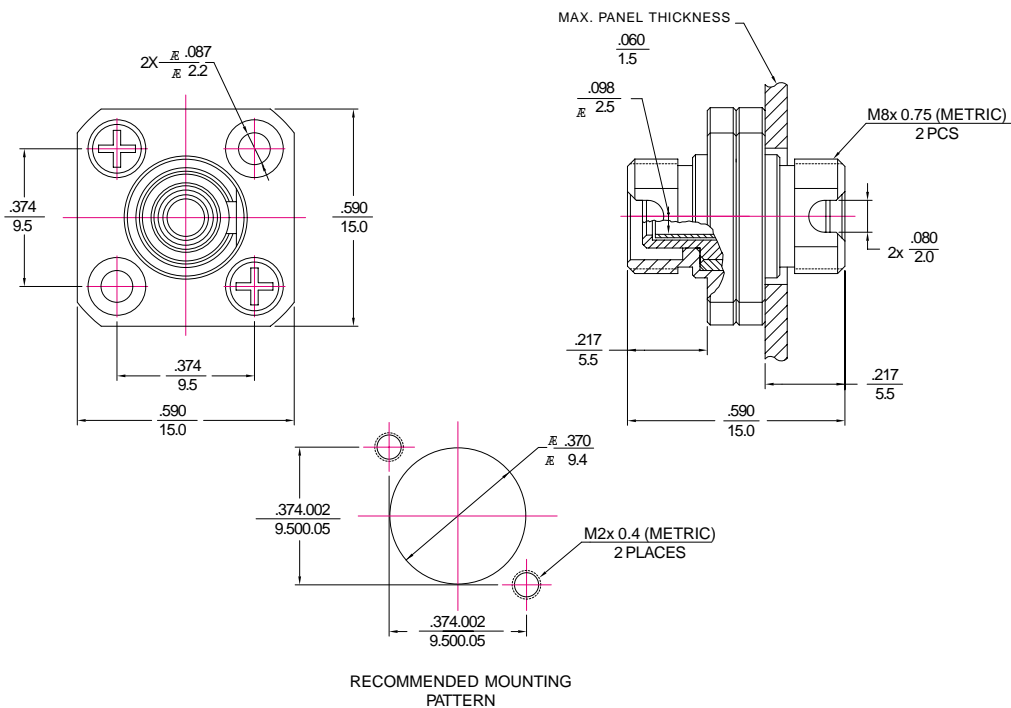
All dimensions in **INCHES**
mm

Mechanical Dimensions

FC/APC Adapter, Tight Fit Key, "D" Hole Mounting Style



FC/APC Adapter, Tight Fit Key, Square Flange Mounting Style



Standard Part Numbers

Order Number	Description	Hole size	Cable size
86056-5000	FC/APC connector, zirconia ferrule, green boot, standard key*	126µm	3.0mm
86056-5300	FC/APC connector, zirconia ferrule, green boot, standard key	126µm	2.4mm
86056-5500	FC/APC connector, zirconia ferrule, green boot, standard key, buffered fiber	126µm	900µm buffered fiber
86056-5400	FC/APC connector, zirconia ferrule, 90° green boot, standard key	126µm	3.0mm
86056-5600	FC/APC connector, zirconia ferrule, 90° green boot, standard key	126µm	2.4mm
86055-5000	FC/APC connector, zirconia ferrule, green boot, tight fit key†	126µm	3.0mm
86055-5300	FC/APC connector, zirconia ferrule, green boot, tight fit key	126µm	2.4mm
86055-5500	FC/APC connector, zirconia ferrule, green boot, tight fit key, buffered fiber	126µm	900µm buffered fiber
86055-5400	FC/APC connector, zirconia ferrule, 90° green boot, tight fit key	126µm	3.0mm
86055-5600	FC/APC connector, zirconia ferrule, 90° green boot, tight fit key	126µm	2.4mm
86152-0100	FC adapter, zirconia alignment sleeve, square mounting flange style, standard key		
86152-0200	FC adapter, zirconia alignment sleeve, square mounting flange style, low cost		
86156-0100	FC adapter, phosphor bronze alignment sleeve, square mounting flange style, standard key		
86152-1000	FC adapter, zirconia alignment sleeve, "D" hole mount style, standard key		
86156-1000	FC adapter, phosphor bronze alignment sleeve, "D" hole mount style, standard key		
86152-2000	FC/APC adapter, zirconia alignment sleeve, square mounting flange style, tight fit key		
86152-3000	FC/APC adapter, zirconia alignment sleeve, "D" hole mount style, tight fit key		
86156-3000	FC/APC adapter, phosphor bronze alignment sleeve, "D" hole mount style, tight fit key		

* Standard fit key is compatible with JIS C 5970 standard

† Tight fit key is compatible with AFL and JDS Fitel hardware