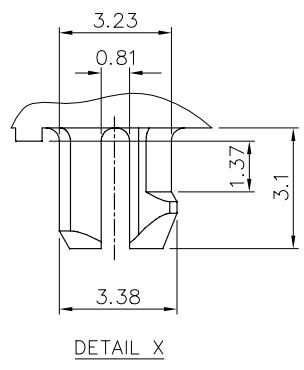
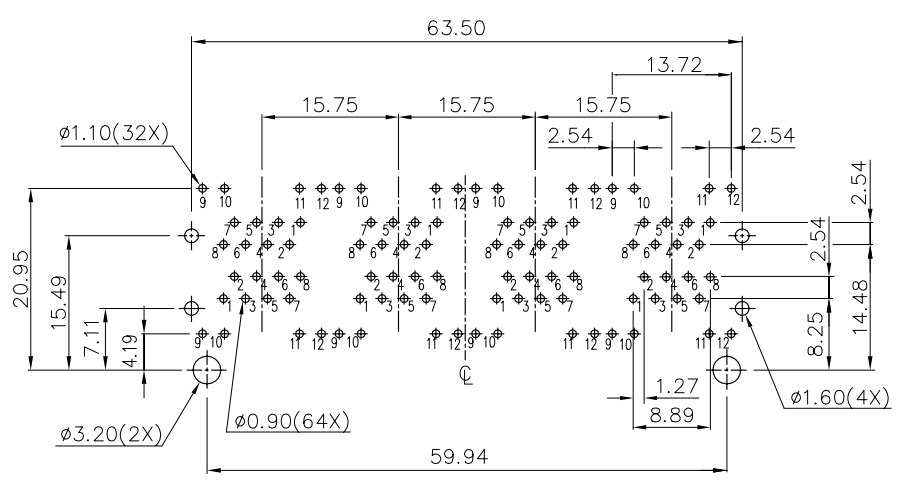
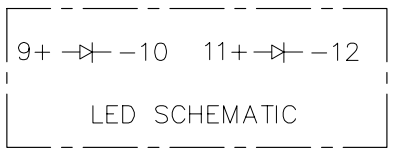


mat'l. code		surface	tolerance	projection	product family
itr ecn no dr date		ASME Y14.5	ASME Y14.5		GANGED M/JACK
A WL 11/04/11		tolerances unless otherwise specified			title
		angles	X.X±0.25	MM	CAT 3 MULTIPOINT STACKED
		dr	X.XX±0.13	[INCH]	2x4 WITH SHIELD, W/LED
		chr	X.XXX±0.05	scale	dwg no
		appd			10118077
sheet index		dr	WENDY CHEN 05/11/11		sheet 1 of 3 size
revision sheet		enr	WENDY CHEN 05/11/11		A4
1 2 3		chr	WENDY CHEN 05/11/11		type
		appd	GARY HSIEH 05/11/11		CUSTOMER Drawing



RECOMMENDED PCB LAYOUT
 RECOMMENDED PCB THICKNESS: 1.6mm
 TOLERANCE: ± 0.05 (TOP VIEW)



mat'l. code		surface	tolerance	projection	product family
itr ecn no dr date		ASME Y14.5	ASME Y14.5		GANGED MJACK
A		tolerances unless otherwise specified		title	CAT 3 MULTIPOST STACKED
		angles	X.X \pm 0.25	MM	2x4 WITH SHIELD, W/LED
		DEC	X.XX \pm 0.13	[INCH]	
		X \pm 1"	X.XXX \pm 0.05	scale	dwg no
		dr	WENDY CHEN 05/11/11		sheet 2 of 3 size
		enr	WENDY CHEN 05/11/11		10118077 A4
		chr	WENDY CHEN 05/11/11		type
		appd	GARY HSIEH 05/11/11		CUSTOMER Drawing
sheet index	revision sheet				

NOTE:

1. MATERIAL:
TOP HOUSING: HIGH TEMPERATURE THERMOPLASTIC, UL94V-0, COLOR: BLACK.
BOTTOM HOUSING: HIGH TEMPERATURE THERMOPLASTIC, UL94V-0, COLOR: BLACK.
CONTACTS: COPPER ALLOY.
SHIELD: COPPER ALLOY.
LED SOLDER TAIL: STEEL.
2. FINISH:
CONTACTS: 50u" MIN. NICKEL UNDER PLATED OVER ALL.
SELECTIVE GOLD PLATED ON CONTACT AREA,
1u" GOLD PLATED ON SOLDER TAIL.
LED SOLDER TAIL: 100u" MIN. BRIGHT TIN OVER
50u" NICKEL UNDER PLATED.
SHIELD: 20u" MIN. NICKEL OVER ALL.
3. LASER MARK FCI LOGO ON THE TOP OF SHIELD.
4. "DATE CODE" DESCRIPTION:
XX XX
WEEK
YEAR (EX. : 10--2010)
5. PRODUCT PERFORMANCE PER SPEC. : GS-12-0990.
6. PACKING SPEC. : GS-14-2170.
7. THIS PRODUCT MEETS THE EUROPEAN UNION DIRECTIVE AS DESCRIBED
IN GS-22-008.
8. THE HOUSING WILL WITHSTAND EXPOSURE TO 260°C PEAK TEMPERATURE
FOR 5 SECONDS IN A WAVE SOLDER APPLICATION WITH A CIRCUIT BOARD.

9. PART NUMBER DESCRIPTION:
10118077-X X X X X X L F

- LEAD FREE
- 0 : RESERVED (NOT USED)
- PACKAGING
- 1 : TRAY
- OPTIONAL BACK SHIELD TAB
- 0 : WITHOUT BACK SHIELD TAB
- OPTIONAL RIGHT / LEFT SHIELD TAB
- B : SHIELD TAB WITHOUT INNER SHIELD
- OPTIONAL PANEL GROUND
- 0 : WITHOUT PANEL GROUND
- 3 : TOP/RIGHT/LEFT 3 SIDES WITH PANEL GROUND
- LED COLOR
- 1 : LED1: GREEN / LED2: YELLOW
- 2 : LED1: YELLOW / LED2: GREEN
- 3 : LED1: GREEN / LED2: GREEN
- CONTACT AREA PLATING
- 1 : 15u" GOLD PLATING
- 2 : 30u" GOLD PLATING
- 5 : 1u" GOLD FLASH PLATING



10118077-XX0XXXXLF
(WITHOUT PANEL GROUND)



10118077-XX3XXXXLF
(3 SIDES PANEL GROUND)

mat'l. code		surface ASME Y14.5 ✓	tolerance ASME Y14.5	projection ⊕	product family GANGED M JACK	
ltr	ecn no	dr	date	tolerances unless otherwise specified		
A				angles B C	title CAT 3 MULTIPOINT STACKED 2x4 WITH SHIELD, W/LED	
				X.X±0.25	MM	
				X.XX±0.13	[INCH]	
				X'±1"	scale	
		dr	WENDY CHEN 05/11/11		dwg no	
		enr	WENDY CHEN 05/11/11	FCI	sheet 3 of 3	
		chr	WENDY CHEN 05/11/11		10118077	A4
		appd	GARY HSIEH 05/11/11		type	CUSTOMER Drawing
sheet index	revision sheet					