



Copyright FCI



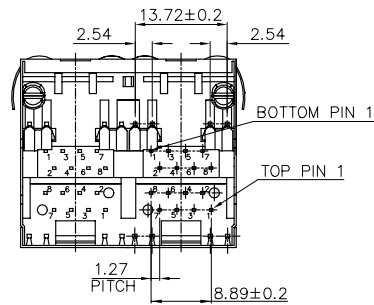
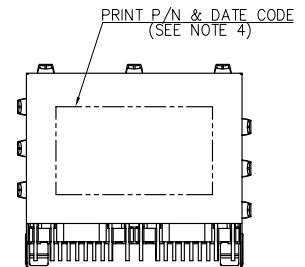
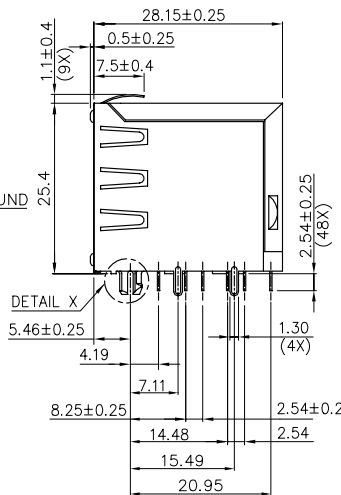
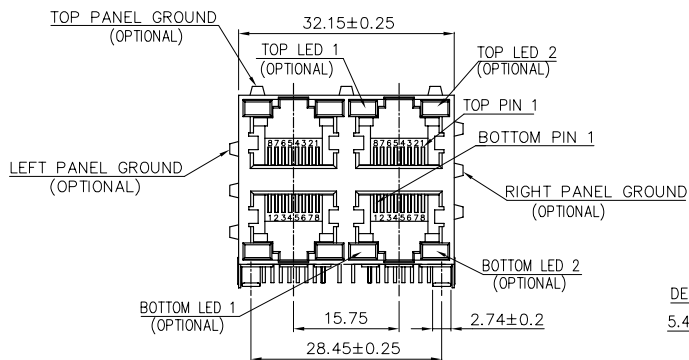
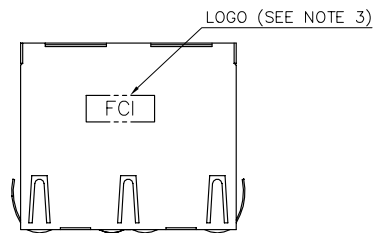
FCIconnect.com



1 | 2

3 |

4



mat'l. code		surface ASME Y14.5 ✓		tolerance ASME Y14.5		projection		product family GANGED M/JACK	
ltr	ecn no	dr	date	tolerances unless otherwise specified					
A		WL	11/04/11	angles	X.X±0.25	MM	title		
				length	X.XX±0.13	[INCH]	CAT 3 MULTI-PORT STACKED		
				X'±1"	X.XXX±0.05	scale	2x2 WITH SHIELD, W/LED		
				dr	WENDY CHEN	05/11/11	dwg no		sheet 1 of 3
				enrg	WENDY CHEN	05/11/11	10118076		size A4
				chr	WENDY CHEN	05/11/11	type		CUSTOMER Drawing
				appd	GARY HSIEH	05/11/11			
sheet index	revision sheet	A	A	A					
		1	2	3					

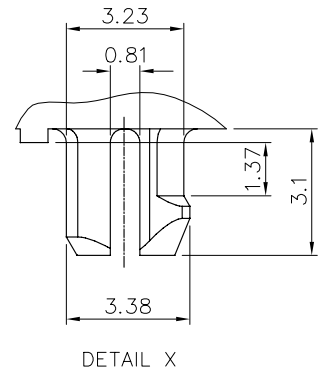
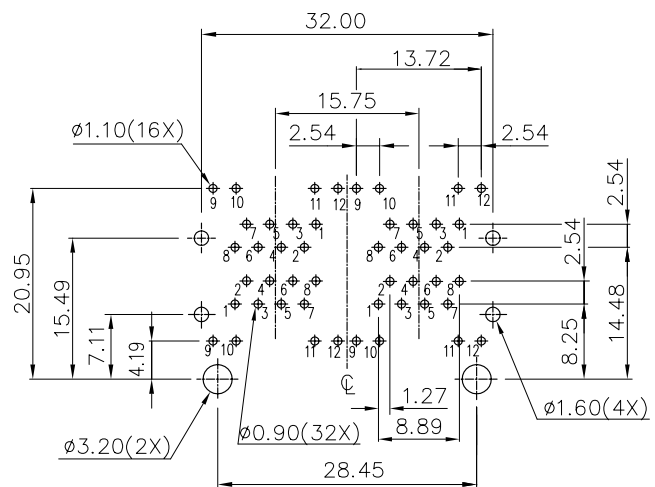
form: A4mmXLc

1 |

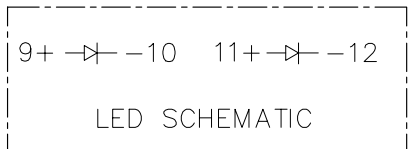
2 |

3 |

4



RECOMMENDED PCB LAYOUT
RECOMMENDED PCB THICKNESS: 1.6mm
TOLERANCE: ±0.05 (TOP VIEW)



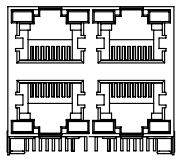
mat'l. code		surface	tolerance	projection	product family
		ASME Y14.5	ASME Y14.5		GANGED M/JACK
ltr	ecr no	dr	date	title	
A				CAT 3 MULTIPOST STACKED 2x2 WITH SHIELD, W/LED	
tolerances unless otherwise specified				MM	dwg no
angles	flat	form	finish	INCH	sheet 2 of 3
				scale	size
					A4
		dr	WENDY CHEN	05/11/11	FCI
		enr	WENDY CHEN	05/11/11	
		chr	WENDY CHEN	05/11/11	
		appd	GARY HSIEH	05/11/11	
sheet index	revision sheet				type
					CUSTOMER Drawing

NOTE:

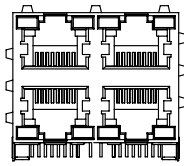
1. MATERIAL:
TOP HOUSING: HIGH TEMPERATURE THERMOPLASTIC, UL94V-0,COLOR: BLACK.
BOTTOM HOUSING: HIGH TEMPERATURE THERMOPLASTIC, UL94V-0,COLOR: BLACK.
CONTACTS: COPPER ALLOY.
SHIELD: COPPER ALLOY.
LED SOLDER TAIL: STEEL.
2. FINISH:
CONTACTS: 50u" MIN. NICKEL UNDER PLATED OVER ALL.
SELECTIVE GOLD PLATED ON CONTACT AREA,
1u" GOLD PLATED ON SOLDER TAIL.
LED SOLDER TAIL: 100u" MIN. BRIGHT TIN OVER
50u" NICKEL UNDER PLATED.
SHIELD: 20u" MIN. NICKEL OVER ALL.
3. LASER MARK FCI LOGO ON THE TOP OF SHIELD.
4. "DATE CODE" DESCRIPTION:
XX XX
WEEK
YEAR (EX. : 10--2010)
5. PRODUCT PERFORMANCE PER SPEC. : GS-12-0990.
6. PACKING SPEC. : GS-14-2170.
7. THIS PRODUCT MEETS THE EUROPEAN UNION DIRECTIVE AS DESCRIBED
IN GS-22-008.
8. THE HOUSING WILL WITHSTAND EXPOSURE TO 260°C PEAK TEMPERATURE
FOR 5 SECONDS IN A WAVE SOLDER APPLICATION WITH A CIRCUIT BOARD.

9. PART NUMBER DESCRIPTION:

- 10118076-X X X X X X LF
- LEAD FREE
 - 0 : RESERVED (NOT USED)
 - PACKAGING
 - 1 : TRAY
 - OPTIONAL BACK SHIELD TAB
 - 0 : WITHOUT BACK SHIELD TAB
 - OPTIONAL RIGHT / LEFT SHIELD TAB
 - B : SHIELD TAB WITHOUT INNER SHIELD
 - OPTIONAL PANEL GROUND
 - 0 : WITHOUT PANEL GROUND
 - 3 : TOP/RIGHT/LEFT 3 SIDES WITH PANEL GROUND
 - LED COLOR
 - 1 : LED1: GREEN / LED2: YELLOW
 - 2 : LED1: YELLOW / LED2: GREEN
 - 3 : LED1: GREEN / LED2: GREEN
 - CONTACT AREA PLATING
 - 1 : 15u" GOLD PLATING
 - 2 : 30u" GOLD PLATING
 - 5 : 1u" GOLD FLASH PLATING



10118076-XX0XXXXLF
(WITHOUT PANEL GROUND)



10118076-XX3XXXXLF
(3 SIDES PANEL GROUND)

mat'l. code		surface ASME Y14.5	tolerance ASME Y14.5	projection	product family GANGED M JACK
ltr	ecn no	dr	date	title	
A				CAT 3 MULTIPOINT STACKED 2x2 WITH SHIELD, W/LED	
angles		tolerances unless otherwise specified		MM [INCH]	dwg no
B C		X.X±0.25		scale	sheet 3 of 3
X°±1'		X.XX±0.13			size A4
		X.XXX±0.05			type CUSTOMER Drawing
		dr	WENDY CHEN 05/11/11		
		enrg	WENDY CHEN 05/11/11		
		chr	WENDY CHEN 05/11/11		
		appd	GARY HSIEH 05/11/11		
sheet index	revision sheet				