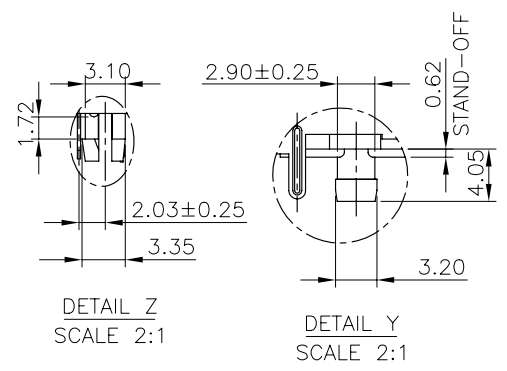
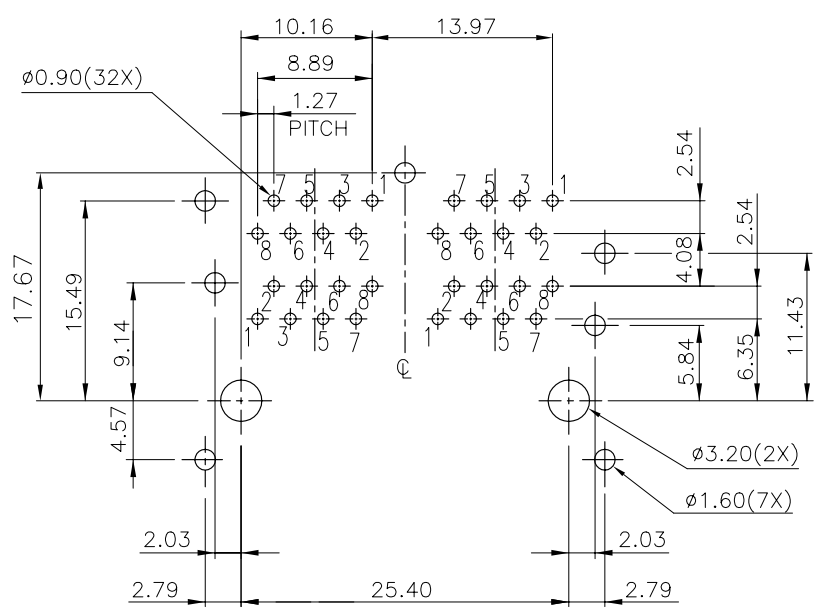


mat'l. code		surface ASME Y14.5 ✓		tolerance ASME Y14.5		projection		product family GANGED MJACK	
ltr	ecn no	dr	date	tolerances unless otherwise specified				title	
A		WL	11/04/11	angles	X.X±0.25	MM	CAT 3 MULTIPOST STACKED		
				radius	X.XX±0.13	[INCH]	2x2 WITH SHIELD, W/O LED		
				X°±1'	X.XXX±0.05	scale	dwg no 10118070		
		dr	WENDY CHEN	05/03/11	FCI		sheet 1 of 3 size A4		
		enr	WENDY CHEN	05/03/11			type CUSTOMER Drawing		
		chr	WENDY CHEN	05/03/11					
		appd	GARY HSIEH	05/03/11					
sheet index	revision sheet	A	A	A					
		1	2	3					



RECOMMENDED PCB LAYOUT
RECOMMENDED PCB THICKNESS: 1.6mm
TOLERANCE: ±0.05mm (TOP VIEW)

mat'l. code		surface	tolerance	projection	product family
itr		ASME Y14.5	ASME Y14.5		GANGED MJACK
ecn no	dr	tolerances unless otherwise specified			title
A		angles	X.X±0.25	MM	CAT 3 MULTIPORT STACKED
		flat	X.XX±0.13	[INCH]	2x2 WITH SHIELD, W/O LED
		X°±1'	X.XXX±0.05	scale	dwg no
		dr	WENDY CHEN 05/03/11		sheet 2 of 3
		enr	WENDY CHEN 05/03/11		10118070
		chr	WENDY CHEN 05/03/11		A4
		appd	GARY HSIEH 05/03/11		type
sheet index	revision sheet				CUSTOMER Drawing

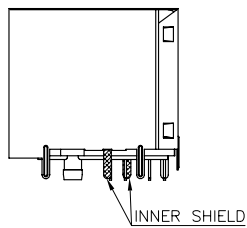
NOTE:

- MATERIAL:
HOUSING & INNER HOUSING & COVER:
HIGH TEMPERATURE THERMOPLASTIC, UL94V-0, COLOR: BLACK.
CONTACTS: COPPER ALLOY.
SHIELD: COPPER ALLOY.
INNER SHIELD: COPPER ALLOY.
- FINISH:
CONTACTS: 50u" MIN. NICKEL UNDER PLATED OVER ALL.
SELECTIVE GOLD PLATED ON CONTACT AREA,
1u" GOLD PLATED ON SOLDER TAIL.
SHIELD & INNER SHIELD: 20u" MIN. NICKEL OVER ALL.
- LASER MARK FCI LOGO ON THE TOP OF SHIELD.
- "DATE CODE" DESCRIPTION:
XX XX
WEEK
YEAR (EX. : 10--2010)
- PRODUCT PERFORMANCE PER SPEC. : GS-12-0990.
- PACKING SPEC. : GS-14-2170.
- THIS PRODUCT MEETS THE EUROPEAN UNION DIRECTIVE AS DESCRIBED IN GS-22-008.
- THE HOUSING WILL WITHSTAND EXPOSURE TO 260°C PEAK TEMPERATURE FOR 5 SECONDS IN A WAVE SOLDER APPLICATION WITH A CIRCUIT BOARD.

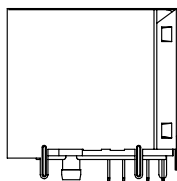
9. PART NUMBER DESCRIPTION:

10118070-X X X X X X X L F

- LEAD FREE
- 0 : RESERVED (NOT USED)
- PACKAGING
1 : TRAY
- OPTIONAL BACK SHIELD TAB
1 : WITH 1 BACK SHIELD TAB
- OPTIONAL RIGHT / LEFT SHIELD TAB
A : SHIELD TAB WITH INNER SHIELD
B : SHIELD TAB WITHOUT INNER SHIELD
- OPTIONAL PANEL GROUND
0 : WITHOUT PANEL GROUND
- LED COLOR
0 : WITHOUT LED
- CONTACT AREA PLATING
1 : 15u" GOLD PLATING
2 : 30u" GOLD PLATING
5 : 1u" GOLD FLASH PLATING



10118070-XXXAXXXLF
(WITH INNER SHIELD)



10118070-XXXBXXXLF
(WITHOUT INNER SHIELD)

mat'l. code		surface ASME Y14.5	tolerance ASME Y14.5	projection	product family GANGED MJACK
ltr	ecr no	dr	date	title	
A				CAT 3 MULTIPORT STACKED 2x2 WITH SHIELD, W/O LED	
		tolerances unless otherwise specified		MM	sheet 3 of 3
		angles	X.X±0.25	[INCH]	size
			X.XX±0.13	scale	A4
		X'±1"	X.XXX±0.05		10118070
		dr	WENDY CHEN 05/03/11	FCI	
		enr	WENDY CHEN 05/03/11	type	
		chr	WENDY CHEN 05/03/11	CUSTOMER Drawing	
		appd	GARY HSIEH 05/03/11		
sheet index	revision sheet				