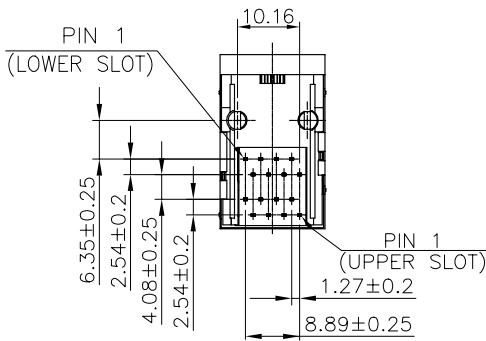
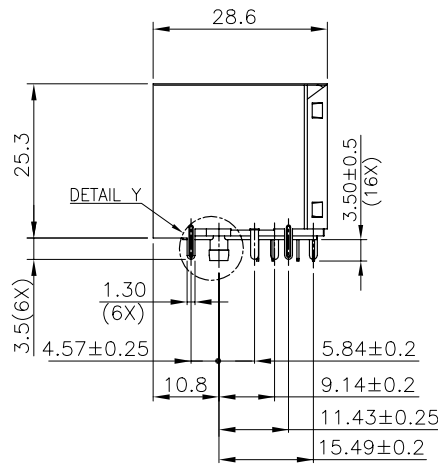
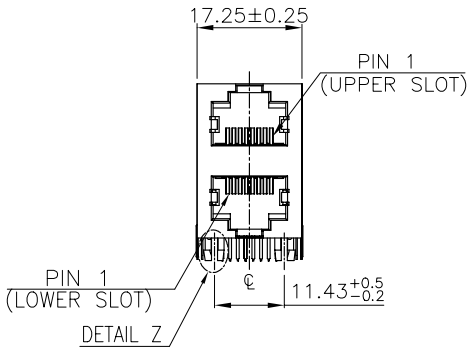
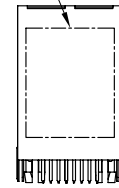
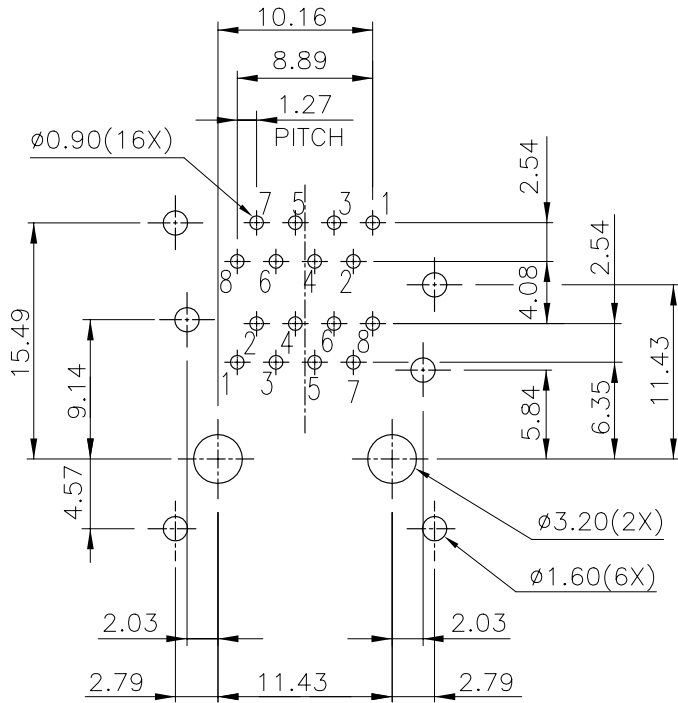


LOGO(SEE NOTE 3)

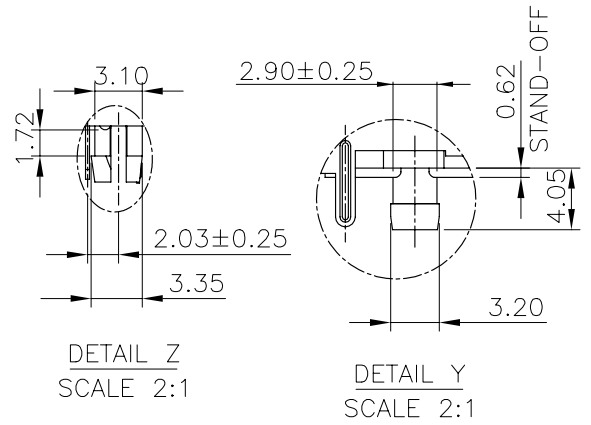
PRINT P/N & DATE CODE
(SEE NOTE 4)



mat'l. code		surface ASME Y14.5 ✓		tolerance ASME Y14.5		projection		product family	
GANGED MJACK		tolerances unless otherwise specified		title		MM [INCH]		CAT 3 MULTIPOINT STACKED	
2x1 WITH SHIELD, W/O LED		angles		X.X±0.25		scale		dwg no	
sheet index		X'±1"		X.XX±0.13		FCI		10118069	
1 2 3		dr WENDY CHEN 05/03/11		X.XXX±0.05		sheet 1 of 3		size	
1 2 3		enrg WENDY CHEN 05/03/11		GARY HSIEH 05/03/11		A4		type	
1 2 3		chr WENDY CHEN 05/03/11		CUSTOMER Drawing					
1 2 3		appd GARY HSIEH 05/03/11							



RECOMMENDED PCB LAYOUT
 RECOMMENDED PCB THICKNESS: 1.6mm
 TOLERANCE: ± 0.05 mm (TOP VIEW)



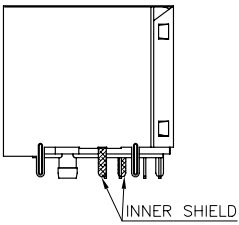
mat'l. code		surface	tolerance	projection	product family
		ASME Y14.5	ASME Y14.5		GANGED MJACK
ltr	ecn no	dr	date	title	
A				CAT 3 MULTIPOINT STACKED	
tolerances unless otherwise specified				MM	2x1 WITH SHIELD, W/O LED
angles	DEC	INCH	SCALE		
		X.X±0.25			
		X.XX±0.13			
		X.XXX±0.05			
dr	WENDY CHEN	05/03/11	dwg no		
enr	WENDY CHEN	05/03/11	sheet 2 of 3		
chr	WENDY CHEN	05/03/11	10118069		
appd	GARY HSIEH	05/03/11	size		
			A4		
sheet index	revision sheet	type			
		CUSTOMER Drawing			

NOTE:

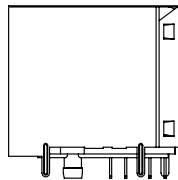
- MATERIAL:
HOUSING & INNER HOUSING & COVER:
HIGH TEMPERATURE THERMOPLASTIC, UL94V-0, COLOR: BLACK.
CONTACTS: COPPER ALLOY.
SHIELD: COPPER ALLOY.
INNER SHIELD: COPPER ALLOY.
- FINISH:
CONTACTS: 50u" MIN. NICKEL UNDER PLATED OVER ALL.
SELECTIVE GOLD PLATED ON CONTACT AREA,
1u" GOLD PLATED ON SOLDER TAIL.
SHIELD & INNER SHIELD: 20u" MIN. NICKEL OVER ALL.
- LASER MARK FCI LOGO ON THE TOP OF SHIELD.
- "DATE CODE" DESCRIPTION:
XX XX
WEEK
YEAR (EX. : 10--2010)
- PRODUCT PERFORMANCE PER SPEC. : GS-12-0990.
- PACKING SPEC. : GS-14-2170.
- THIS PRODUCT MEETS THE EUROPEAN UNION DIRECTIVE AS DESCRIBED IN GS-22-008.
- THE HOUSING WILL WITHSTAND EXPOSURE TO 260°C PEAK TEMPERATURE FOR 5 SECONDS IN A WAVE SOLDER APPLICATION WITH A CIRCUIT BOARD.

9. PART NUMBER DESCRIPTION:

- 10118069-X X X X X X X L F
- LEAD FREE
 - 0 : RESERVED (NOT USED)
 - PACKAGING
1 : TRAY
 - OPTIONAL BACK SHIELD TAB
0 : WITHOUT BACK SHIELD TAB
 - OPTIONAL RIGHT / LEFT SHIELD TAB
A : SHIELD TAB WITH INNER SHIELD
B : SHIELD TAB WITHOUT INNER SHIELD
 - OPTIONAL PANEL GROUND
0 : WITHOUT PANEL GROUND
 - LED COLOR
0 : WITHOUT LED
 - CONTACT AREA PLATING
1 : 15u" GOLD PLATING
2 : 30u" GOLD PLATING
5 : 1u" GOLD FLASH PLATING



10118069-XXXAXXXLF
(WITH INNER SHIELD)



10118069-XXXBXXLF
(WITHOUT INNER SHIELD)

mat'l. code		surface ASME Y14.5	tolerance ASME Y14.5	projection	product family GANGED M JACK
ltr	ecr no	dr	date	title	
A				CAT 3 MULTIPORT STACKED 2x1 WITH SHIELD, W/O LED	
		tolerances unless otherwise specified		MM [INCH]	dwg no
		angles	X.X±0.25	scale	sheet 3 of 3
		dec	X.XX±0.13		10118069
		X°±1'	X.XXX±0.05		A4
		dr	WENDY CHEN 05/03/11		type
		enr	WENDY CHEN 05/03/11		CUSTOMER Drawing
		chr	WENDY CHEN 05/03/11		
		appd	GARY HSIEH 05/03/11		
sheet index	revision sheet				