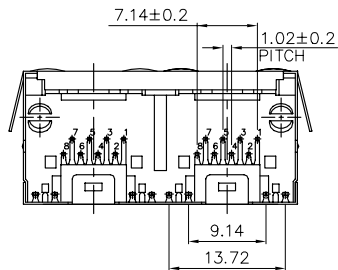
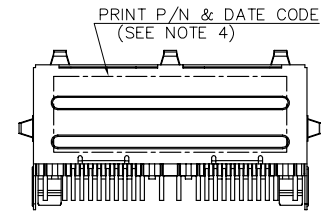
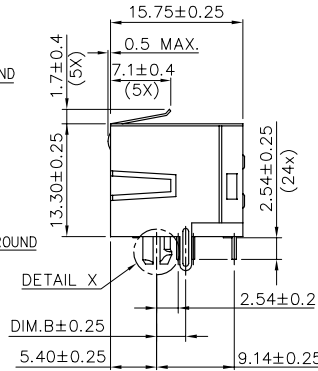
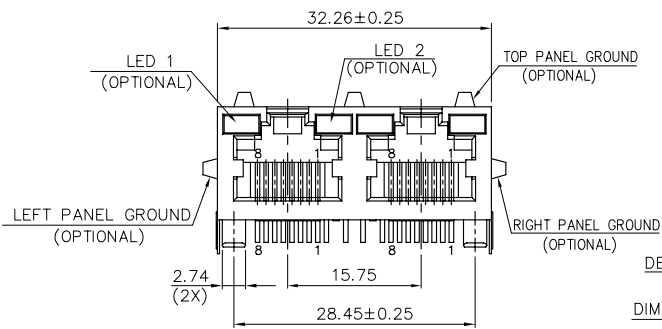
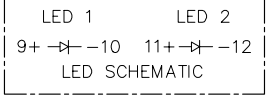
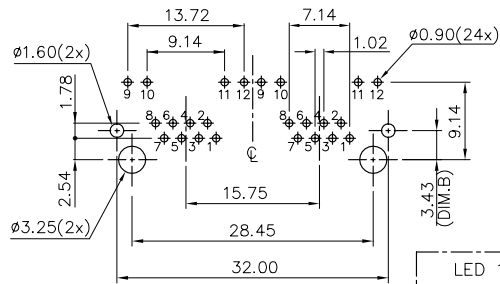
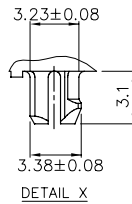
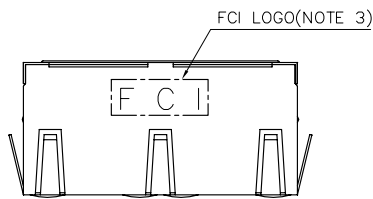


P/N	DIM.B
10118066-XXX6XXXLF	3.43



mat'l. code		surface	tolerance	projection	product family
ltr ecn no dr date		ASME Y14.5	ASME Y14.5		GANGED M JACK
A	WL	11/04/11	tolerances unless otherwise specified		title
			angles	X.X±0.25	CAT 3 MULTI-PORTS TAB UP
			flatness	X.XX±0.13	1x2 WITH SHIELD, W/ LED
			total run out	X.XXX±0.05	scale
			dr	WENDY CHEN 05/11/11	
			enrg	WENDY CHEN 05/11/11	
			chr	WENDY CHEN 05/11/11	
			appd	GARY HSIEH 05/11/11	
sheet index	revision sheet	A 1	A 2		dwg no
					10118066
					sheet 1 of 2
					size A4
					type CUSTOMER Drawing



1 | 2



3 |



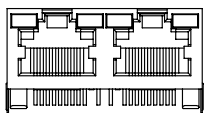
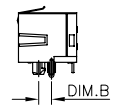
4

NOTE:

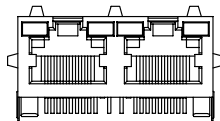
- MATERIAL:
HOUSING: HIGH TEMPERATURE THERMOPLASTIC, UL94V-0
COLOR: BLACK.
CONTACTS: COPPER ALLOY.
SHIELD: COPPER ALLOY.
LED SOLDER TAIL: STEEL.
- FINISH:
CONTACTS: 50u" MIN. NICKEL UNDER PLATED OVER ALL.
SELECTIVE GOLD PLATED ON CONTACT AREA,
1u" GOLD PLATED ON SOLDER TAIL.
LED SOLDER TAIL: 100u" MIN. BRIGHT TIN OVER
50u" NICKEL UNDER PLATED.
SHIELD: 20u" MIN. NICKEL OVER ALL.
- LASER MARK FCI LOGO ON THE TOP OF SHIELD.
- "DATE CODE" DESCRIPTION:
XX XX
WEEK
YEAR (EX. : 10--2010)
- PRODUCT PERFORMANCE PER SPEC. : GS-12-0990.
- PACKING SPEC. : GS-14-2170.
- THIS PRODUCT MEETS THE EUROPEAN UNION DIRECTIVE AS DESCRIBED IN GS-22-008.
- THE HOUSING WILL WITHSTAND EXPOSURE TO 260°C PEAK TEMPERATURE FOR 5 SECONDS IN A WAVE SOLDER APPLICATION WITH A CIRCUIT BOARD.

9. PART NUMBER DESCRIPTION:

- 10118066-X X X X X X L F
- LEAD FREE
 - 0 : RESERVED (NOT USED)
 - PACKAGING
1 : TRAY
 - OPTIONAL BACK SHIELD TAB
0 : WITHOUT BACK SHIELD TAB
 - OPTIONAL RIGHT / LEFT SHIELD TAB
6 : DIM.B=3.43
 - OPTIONAL PANEL GROUND
0 : WITHOUT PANEL GROUND
3 : TOP/RIGHT/LEFT 3 SIDES WITH PANEL GROUND
 - LED COLOR
0 : WITHOUT LED
1 : LED1: GREEN / LED2: YELLOW
2 : LED1: YELLOW / LED2: GREEN
3 : LED1: GREEN / LED2: GREEN
 - CONTACT AREA PLATING
1 : 15u" GOLD PLATING
2 : 30u" GOLD PLATING
5 : 1u" GOLD FLASH PLATING



10118066-XX0XXXXLF
(WITHOUT PANEL GROUND)



10118066-XX3XXXXLF
(3 SIDES PANEL GROUND)

mat'l. code	surface ASME Y14.5	tolerance ASME Y14.5	projection	product family
ltr	ecn	no	dr	date
tolerances unless otherwise specified				
A				
	angles	B C	MM [INCH]	title
	X°±1'	X.X±0.25 X.XX±0.13 X.XXX±0.05	scale	CAT 3 MULTI-PORTS TAB UP 1x2 WITH SHIELD, W/LED
	dr	WENDY CHEN	05/11/11	dwg no
	enr	WENDY CHEN	05/11/11	sheet 2 of 2
	chr	WENDY CHEN	05/11/11	10118066
	appd	GARY HSIEH	05/11/11	A4
sheet	revision			type
index	sheet			CUSTOMER Drawing

1 |

2 |

3 |

4