

## FEATURES

- Single Inductor Architecture Allows  $V_{IN}$  Above, Below or Equal to  $V_{OUT}$
- Wide  $V_{IN}$  Range: 4.5V to 20V
- Wide  $V_{OUT}$  Range: 0.8V to 16V
- 5A DC Typical (12A DC Typical at Buck Mode)
- High Efficiency Up to 98%
- Current Mode Control
- Power Good Output Signal
- Phase-Lockable Fixed Frequency: 200kHz to 400kHz
- Ultra-Fast Transient Response
- Current Foldback Protection
- Output Overvoltage Protection
- Small, Low Profile Surface Mount LGA Package (15mm  $\times$  15mm  $\times$  2.8mm)

## APPLICATIONS

- Telecom, Servers and Networking Equipment
- Industrial and Automotive Equipment
- High Power Battery-Operated Devices

## DESCRIPTION

The LTM<sup>®</sup>4605 is a high efficiency switching mode buck-boost power supply. Included in the package are the switching controller, power FETs, and support components. Operating over an input voltage range of 4.5V to 20V, the LTM4605 supports an output voltage range of 0.8V to 16V, set by a resistor. This high efficiency design delivers up to 5A continuous current in boost mode (12A in buck mode). Only the inductor, sense resistor, bulk input and output capacitors are needed to finish the design.

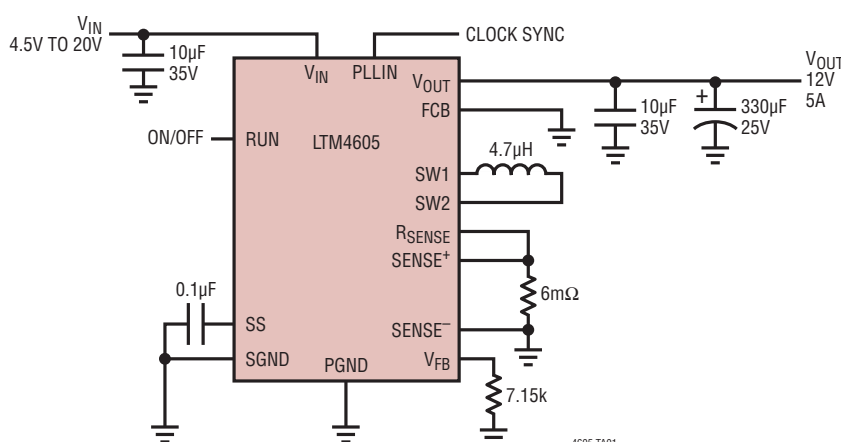
The low profile package enables utilization of unused space on the bottom of PC boards for high density point of load regulation. The high switching frequency and current mode architecture enable a very fast transient response to line and load changes. The LTM4605 can be frequency synchronized with an external clock to reduce undesirable frequency harmonics.

Fault protection features include overvoltage and foldback current protection. The DC/DC  $\mu$ Module<sup>™</sup> is offered in a small and thermally enhanced 15mm  $\times$  15mm  $\times$  2.8mm LGA package. The LTM4605 is Pb-free and RoHS compliant.

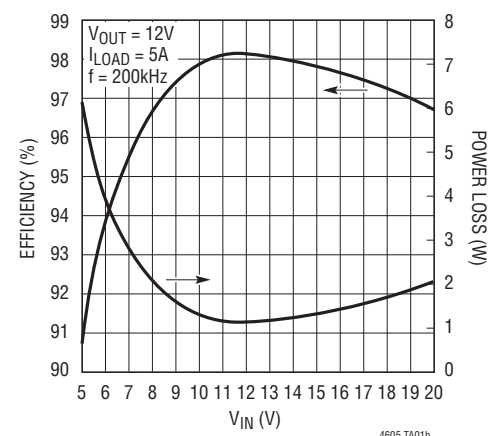
LT, LT, LTC and LTM are registered trademarks of Linear Technology Corporation. Burst Mode is a registered trademark of Linear Technology Corporation.  $\mu$ Module is a trademark of Linear Technology Corporation. All other trademarks are the property of their respective owners.

## TYPICAL APPLICATION

12V/5A Buck-Boost DC/DC  $\mu$ Module with 4.5V to 20V Input



Efficiency and Power Loss vs Input Voltage

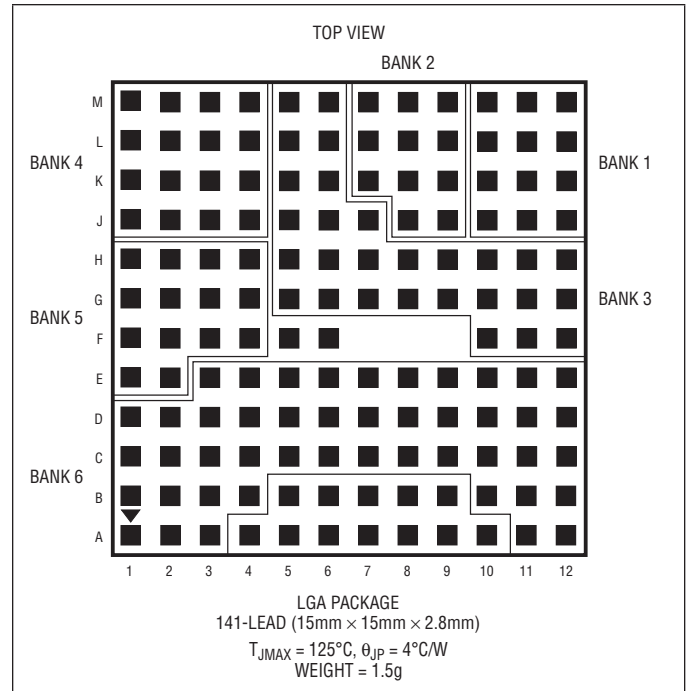


## ABSOLUTE MAXIMUM RATINGS

|  |                      |
|--|----------------------|
| $V_{IN}$ .....                                   | -0.3V to 20V         |
| $V_{OUT}$ .....                                  | 0.8V to 16V          |
| $INTV_{CC}$ , $EXTV_{CC}$ , RUN, SS, PGOOD ..... | -0.3V to 7V          |
| SW1, SW2 .....                                   | -5V to 20V           |
| $V_{FB}$ , COMP .....                            | -0.3V to 2.4V        |
| FCB, STBYMD .....                                | -0.3V to $INTV_{CC}$ |
| PLLIN .....                                      | -0.3V to 5.5V        |
| PLLFLTR .....                                    | -0.3V to 2.7V        |
| Operating Temperature Range<br>(Note 2) .....    | -40°C to 85°C        |
| Junction Temperature .....                       | 125°C                |
| Storage Temperature Range .....                  | -55°C to 125°C       |

## PIN CONFIGURATION

(See Table 4. Pin Assignment)



## ORDER INFORMATION

| LEAD FREE FINISH | PART MARKING* | PACKAGE DESCRIPTION                | TEMPERATURE RANGE |
|------------------|---------------|------------------------------------|-------------------|
| LTM4605EV#PBF    | LTM4605V      | 141-Lead (15mm × 15mm × 2.8mm) LGA | -40°C to 85°C     |
| LTM4605IV#PBF    | LTM4605V      | 141-Lead (15mm × 15mm × 2.8mm) LGA | -40°C to 85°C     |

Consult LTC Marketing for parts specified with wider operating temperature ranges. \*The temperature grade is identified by a label on the shipping container.

For more information on lead free part marking, go to: <http://www.linear.com/leadfree/>

This product is only offered in trays. For more information go to: <http://www.linear.com/packaging/>

## ELECTRICAL CHARACTERISTICS

The ● denotes the specifications which apply over the -40°C to 85°C temperature range, otherwise specifications are at  $T_A = 25^\circ\text{C}$ ,  $V_{IN} = 12\text{V}$ . Per typical application (front page) configuration.

| SYMBOL                      | PARAMETER                      | CONDITIONS   | MIN | TYP | MAX | UNITS |
|-----------------------------|--------------------------------|--|-----|-----|-----|-------|
| <b>Input Specifications</b> |                                |  |     |     |     |       |
| $V_{IN(DC)}$                | Input DC Voltage               |  | ●   | 4.5 | 20  | V     |
| $V_{IN(UVLO)}$              | Undervoltage Lockout Threshold | $V_{IN}$ Falling                                   | ●   | 3.4 | 4   | V     |
| $I_{Q(VIN)}$                | Input Supply Bias Current      |  |     | 2.8 |     | mA    |
|                             | Normal Standby                 | $V_{RUN} = 0\text{V}$ , $V_{STBYMD} > 2\text{V}$   |     | 1.6 |     | mA    |
|                             | Shutdown Supply Current        | $V_{RUN} = 0\text{V}$ , $V_{STBYMD} = \text{Open}$ |     | 35  | 60  | μA    |

## ELECTRICAL CHARACTERISTICS

The ● denotes the specifications which apply over the  $-40^{\circ}\text{C}$  to  $85^{\circ}\text{C}$  temperature range, otherwise specifications are at  $T_A = 25^{\circ}\text{C}$ ,  $V_{IN} = 12\text{V}$ . Per typical application (front page) configuration.

| SYMBOL                                  | PARAMETER   | CONDITIONS  | MIN    | TYP           | MAX         | UNITS      |                                |
|---|---|---|--------|---------------|-------------|------------|--------------------------------|
| <b>Output Specifications</b>            |   |   |        |               |             |            |                                |
| $I_{OUTDC}$                             | Output Continuous Current Range<br>(See Output Current Derating Curves for Different $V_{IN}$ , $V_{OUT}$ and $T_A$ ) | $V_{IN} = 12\text{V}$ , $V_{OUT} = 5\text{V}$<br>$V_{IN} = 6\text{V}$ , $V_{OUT} = 12\text{V}$  |        | 12<br>5       |             | A<br>A     |                                |
| $\Delta V_{FB}/V_{FB(NOM)}$             | Reference Voltage Line Regulation Accuracy  | $V_{IN} = 4.5\text{V}$ to $20\text{V}$ , $V_{COMP} = 1.2\text{V}$ (Note 3)                      |        | 0.002         | 0.02        | %          |                                |
| $\Delta V_{FB}/V_{FB(LOAD)}$            | Load Regulation Accuracy  | $V_{COMP} = 1.2\text{V}$ to $0.7\text{V}$<br>$V_{COMP} = 1.2\text{V}$ to $1.8\text{V}$ (Note 3) | ●<br>● | 0.15<br>-0.15 | 0.5<br>-0.5 | %<br>%     |                                |
| <b>Switch Section</b>                   |   |   |        |               |             |            |                                |
| M1 $t_r$                                | Turn-On Time (Note 4)   | Drain to Source Voltage $V_{DS} = 12\text{V}$ , Bias Current $I_{SW} = 10\text{mA}$             |        | 50            |             | ns         |                                |
| M1 $t_f$                                | Turn-Off Time   | Drain to Source Voltage $V_{DS} = 12\text{V}$ , Bias Current $I_{SW} = 10\text{mA}$             |        | 40            |             | ns         |                                |
| M3 $t_r$                                | Turn-On Time  | Drain to Source Voltage $V_{DS} = 12\text{V}$ , Bias Current $I_{SW} = 10\text{mA}$             |        | 25            |             | ns         |                                |
| M3 $t_f$                                | Turn-Off Time   | Drain to Source Voltage $V_{DS} = 12\text{V}$ , Bias Current $I_{SW} = 10\text{mA}$             |        | 20            |             | ns         |                                |
| M2, M4 $t_r$                            | Turn-On Time  | Drain to Source Voltage $V_{DS} = 12\text{V}$ , Bias Current $I_{SW} = 10\text{mA}$             |        | 20            |             | ns         |                                |
| M2, M4 $t_f$                            | Turn-Off Time   | Drain to Source Voltage $V_{DS} = 12\text{V}$ , Bias Current $I_{SW} = 10\text{mA}$             |        | 20            |             | ns         |                                |
| $t_{1d}$                                | M1 Off to M2 On Delay (Note 4)  | Drain to Source Voltage $V_{DS} = 12\text{V}$ , Bias Current $I_{SW} = 10\text{mA}$             |        | 50            |             | ns         |                                |
| $t_{2d}$                                | M2 Off to M1 On Delay   | Drain to Source Voltage $V_{DS} = 12\text{V}$ , Bias Current $I_{SW} = 10\text{mA}$             |        | 50            |             | ns         |                                |
| $t_{3d}$                                | M3 Off to M4 On Delay   | Drain to Source Voltage $V_{DS} = 12\text{V}$ , Bias Current $I_{SW} = 10\text{mA}$             |        | 50            |             | ns         |                                |
| $t_{4d}$                                | M4 Off to M3 On Delay   | Drain to Source Voltage $V_{DS} = 12\text{V}$ , Bias Current $I_{SW} = 10\text{mA}$             |        | 50            |             | ns         |                                |
| Mode Transition 1                       | M2 Off to M4 On Delay   | Drain to Source Voltage $V_{DS} = 12\text{V}$ , Bias Current $I_{SW} = 10\text{mA}$             |        | 220           |             | ns         |                                |
| Mode Transition 2                       | M4 Off to M2 On Delay   | Drain to Source Voltage $V_{DS} = 12\text{V}$ , Bias Current $I_{SW} = 10\text{mA}$             |        | 220           |             | ns         |                                |
| M1 $R_{DS(ON)}$                         | Static Drain-to-Source On-Resistance  | Bias Current $I_{SW} = 3\text{A}$   |        | 6.5           |             | m $\Omega$ |                                |
| M2 $R_{DS(ON)}$                         | Static Drain-to-Source On-Resistance  | Bias Current $I_{SW} = 3\text{A}$   |        | 8             | 12          | m $\Omega$ |                                |
| M3 $R_{DS(ON)}$                         | Static Drain-to-Source On-Resistance  | Bias Current $I_{SW} = 3\text{A}$   |        | 8             | 12          | m $\Omega$ |                                |
| M4 $R_{DS(ON)}$                         | Static Drain-to-Source On-Resistance  | Bias Current $I_{SW} = 3\text{A}$   |        | 8             | 12          | m $\Omega$ |                                |
| <b>Oscillator and Phase-Locked Loop</b> |   |   |        |               |             |            |                                |
| $f_{NOM}$                               | Nominal Frequency   | $V_{PLLFLTR} = 1.2\text{V}$   |        | 260           | 300         | 330        | kHz                            |
| $f_{LOW}$                               | Lowest Frequency  | $V_{PLLFLTR} = 0\text{V}$   |        | 170           | 200         | 220        | kHz                            |
| $f_{HIGH}$                              | Highest Frequency   | $V_{PLLFLTR} = 2.4\text{V}$   |        | 340           | 400         | 440        | kHz                            |
| $R_{PLLIN}$                             | PLLIN Input Resistance  |   |        | 50            |             |            | k $\Omega$                     |
| $I_{PLLFLTR}$                           | Phase Detector Output Current   | $f_{PLLIN} < f_{OSC}$<br>$f_{PLLIN} > f_{OSC}$  |        | -15<br>15     |             |            | $\mu\text{A}$<br>$\mu\text{A}$ |

4605f

## ELECTRICAL CHARACTERISTICS

The ● denotes the specifications which apply over the  $-40^{\circ}\text{C}$  to  $85^{\circ}\text{C}$  temperature range, otherwise specifications are at  $T_A = 25^{\circ}\text{C}$ ,  $V_{IN} = 12\text{V}$ . Per typical application (front page) configuration.

| SYMBOL  | PARAMETER  | CONDITIONS  | MIN    | TYP   | MAX         | UNITS       |                  |
|---|--|---|--------|-------|-------------|-------------|------------------|
| <b>Control Section</b>                        |  |   |        |       |             |             |                  |
| $V_{FB}$                                      | Feedback Reference Voltage                               | $V_{COMP} = 1.2\text{V}$  | ●      | 0.792 | 0.8         | 0.808       | V                |
| $V_{RUN}$                                     | RUN Pin ON/OFF Threshold                                 |   |        | 1     | 1.6         | 2.2         | V                |
| $I_{SS}$                                      | Soft-Start Charging Current                              | $V_{RUN} = 2.2\text{V}$   |        | 1     | 1.7         |             | $\mu\text{A}$    |
| $V_{STBYMD}(\text{START})$                    | Start-Up Threshold                                       | $V_{STBYMD}$ Rising   |        | 0.4   | 0.7         |             | V                |
| $V_{STBYMD}(\text{KA})$                       | Keep-Active Power On Threshold                           | $V_{STBYMD}$ Rising, $V_{RUN} = 0\text{V}$                        |        |       | 1.25        |             | V                |
| $V_{FCB}$                                     | Forced Continuous Threshold                              |   |        | 0.76  | 0.8         | 0.84        | V                |
| $I_{FCB}$                                     | Forced Continuous Pin Current                            | $V_{FCB} = 0.85\text{V}$  |        | -0.3  | -0.2        | -0.1        | $\mu\text{A}$    |
| $V_{BURST}$                                   | Burst Inhibit (Constant Frequency) Threshold             | Measured at FCB Pin   |        |       | 5.3         | 5.5         | V                |
| $DF_{(\text{BOOST, MAX})}$                    | Maximum Duty Factor                                      | % Switch M4 On  |        |       | 99          |             | %                |
| $DF_{(\text{BUCK, MAX})}$                     | Maximum Duty Factor                                      | % Switch M1 On  |        |       | 99          |             | %                |
| $t_{\text{ON}}(\text{MIN, BUCK})$             | Minimum On-Time for Synchronous Switch in Buck Operation | Switch M1 (Note 5)  |        |       | 200         | 250         | ns               |
| RFBHI   | Resistor Between $V_{OUT}$ and $V_{FB}$ pins             |   |        | 99.5  | 100         | 100.5       | $\text{k}\Omega$ |
| <b>Internal <math>V_{CC}</math> Regulator</b> |  |   |        |       |             |             |                  |
| $INTV_{CC}$                                   | Internal $V_{CC}$ Voltage                                | $V_{IN} > 7\text{V}$ , $V_{EXTVCC} = 5\text{V}$                   | ●      | 5.7   | 6           | 6.3         | V                |
| $\Delta V_{LDO}/V_{LDO}$                      | Internal $V_{CC}$ Load Regulation                        | $I_{CC} = 0\text{mA}$ to $20\text{mA}$ , $V_{EXTVCC} = 5\text{V}$ |        |       | 0.3         | 2           | %                |
| $V_{EXTVCC}$                                  | EXTVCC Switchover Voltage                                | $I_{CC} = 20\text{mA}$ , $V_{EXTVCC}$ Rising                      | ●      | 5.4   | 5.6         |             | V                |
| $\Delta V_{EXTVCC}(\text{HYS})$               | EXTVCC Switchover Hysteresis                             |   |        |       | 300         |             | mV               |
| $\Delta V_{EXTVCC}$                           | EXTVCC Switch Drop Voltage                               | $I_{CC} = 20\text{mA}$ , $V_{EXTVCC} = 6\text{V}$                 |        |       | 60          | 150         | mV               |
| <b>Current Sensing Section</b>                |  |   |        |       |             |             |                  |
| $V_{\text{SENSE}}(\text{MAX})$                | Maximum Current Sense Threshold                          | Boost Mode<br>Buck Mode   | ●<br>● | -95   | 160<br>-130 | 190<br>-150 | mV<br>mV         |
| $V_{\text{SENSE}}(\text{MIN, BUCK})$          | Minimum Current Sense Threshold                          | Discontinuous Mode  |        |       | -6          |             | mV               |
| $I_{\text{SENSE}}$                            | Sense Pins Total Source Current                          | $V_{\text{SENSE}}^- = V_{\text{SENSE}}^+ = 0\text{V}$             |        |       | -380        |             | $\mu\text{A}$    |
| <b>PGOOD</b>                                  |  |   |        |       |             |             |                  |
| $\Delta V_{FBH}$                              | PGOOD Upper Threshold                                    | $V_{FB}$ Rising   |        | 5.5   | 7.5         | 10          | %                |
| $\Delta V_{FBL}$                              | PGOOD Lower Threshold                                    | $V_{FB}$ Falling  |        | -5.5  | -7.5        | -10         | %                |
| $\Delta V_{FB}(\text{HYS})$                   | PGOOD Hysteresis   | $V_{FB}$ Returning  |        |       | 2.5         |             | %                |
| $V_{PGL}$                                     | PGOOD Low Voltage  | $I_{\text{PGOOD}} = 2\text{mA}$                                   |        |       | 0.2         | 0.3         | V                |
| $I_{\text{PGOOD}}$                            | PGOOD Leakage Current                                    | $V_{\text{PGOOD}} = 5\text{V}$                                    |        |       |             | 1           | $\mu\text{A}$    |

**Note 1:** Stresses beyond those listed under Absolute Maximum Ratings may cause permanent damage to the device. Exposure to any Absolute Maximum Rating condition for extended periods may affect device reliability and lifetime.

**Note 2:** The LTM4605E is guaranteed to meet performance specifications from  $0^{\circ}\text{C}$  to  $85^{\circ}\text{C}$ . Specifications over the  $-40^{\circ}\text{C}$  to  $85^{\circ}\text{C}$  operating temperature range are assured by design, characterization and correlation

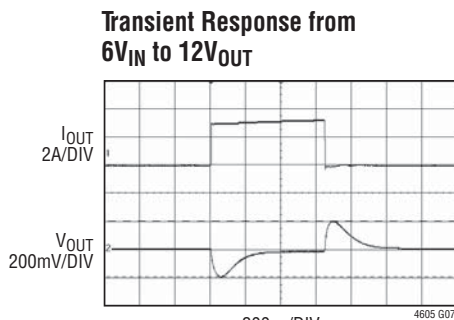
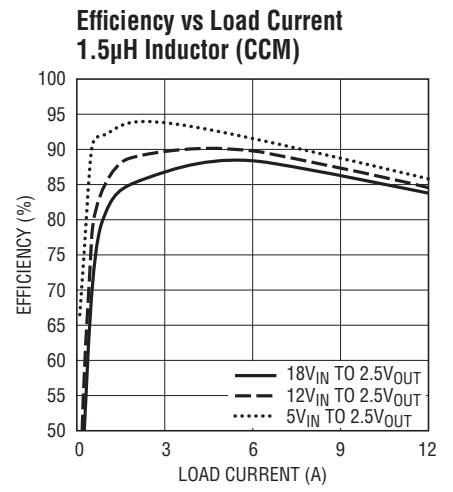
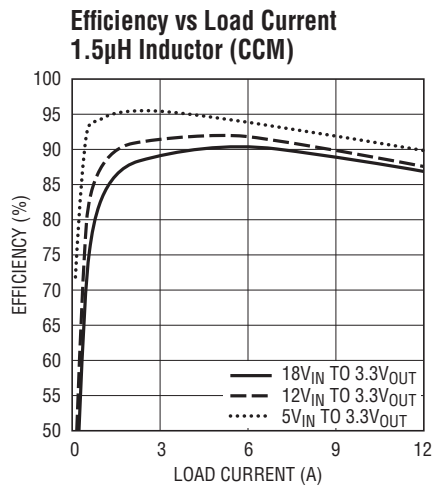
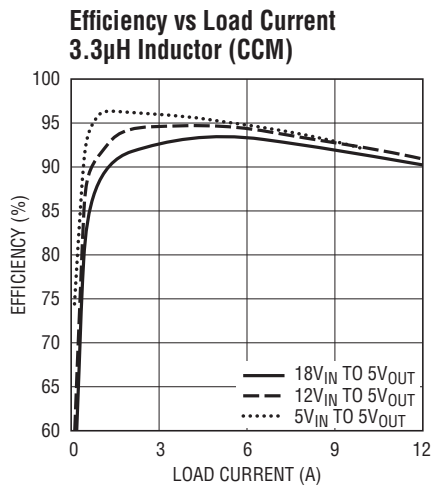
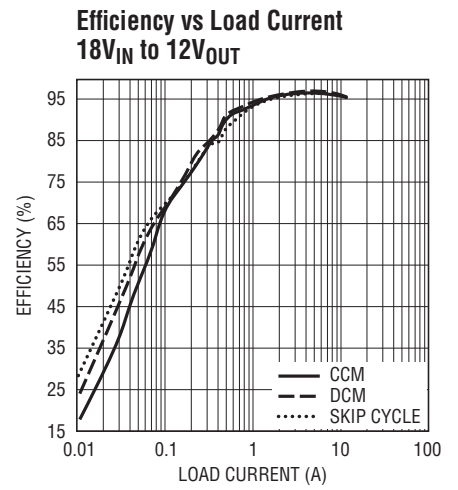
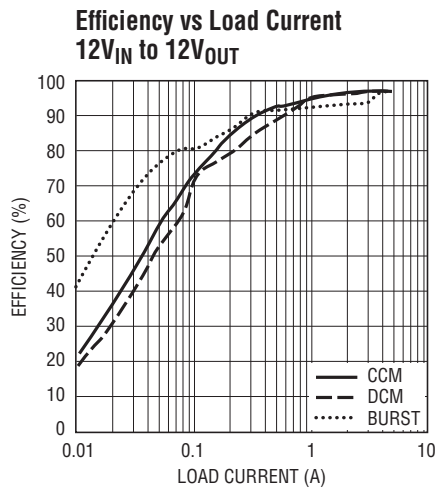
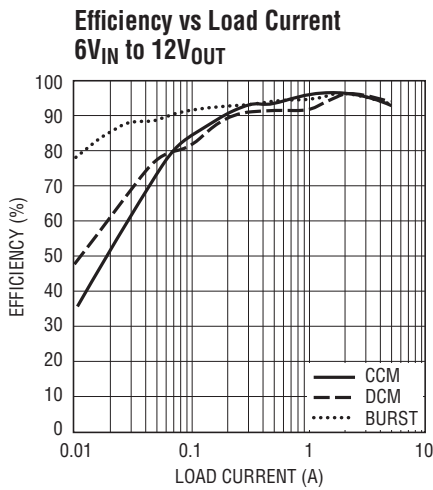
with statistical process controls. The LTM4605I is guaranteed over the  $-40^{\circ}\text{C}$  to  $85^{\circ}\text{C}$  temperature range.

**Note 3:** The LTM4605 is tested in a feedback loop that servos  $V_{COMP}$  to a specified voltage and measures the resultant  $V_{FB}$ .

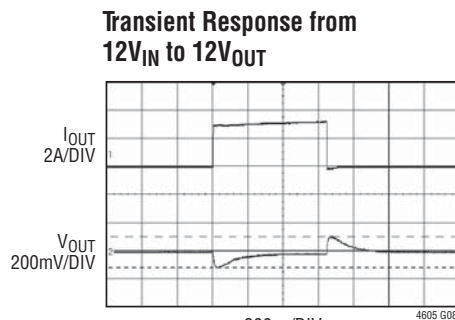
**Note 4:** Turn-on and turn-off time are measured using 10% and 90% levels. Transition delay time is measured using 50% levels.

**Note 5:** 100% tested at wafer level only.

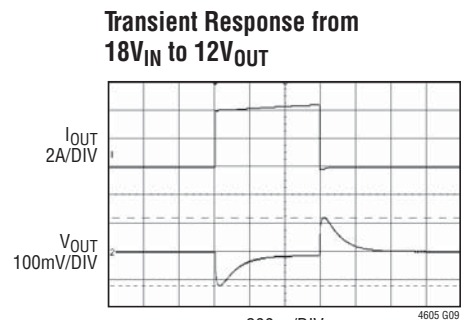
**TYPICAL PERFORMANCE CHARACTERISTICS** (Refer to Figure 16)



LOAD STEP: 0A TO 3A AT CCM  
OUTPUT CAPS: 4x 22μF CERAMIC CAPS AND  
2x 180μF ELECTROLYTIC CAPS  
2x 15mΩ SENSING RESISTORS



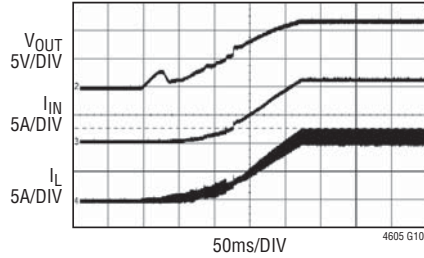
LOAD STEP: 0A TO 3A AT CCM  
OUTPUT CAPS: 4x 22μF CERAMIC CAPS AND  
2x 180μF ELECTROLYTIC CAPS  
2x 15mΩ SENSING RESISTORS



LOAD STEP: 0A TO 4A AT CCM  
OUTPUT CAPS: 4x 22μF CERAMIC CAPS AND  
2x 180μF ELECTROLYTIC CAPS  
2x 15mΩ SENSING RESISTORS

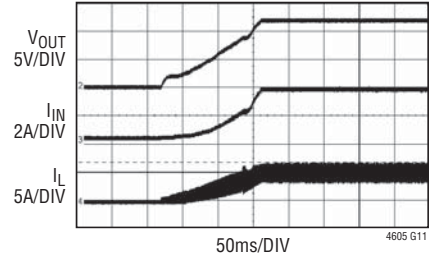
## TYPICAL PERFORMANCE CHARACTERISTICS

**Start-Up with 6V<sub>IN</sub> to 12V<sub>OUT</sub> at I<sub>OUT</sub> = 5A**



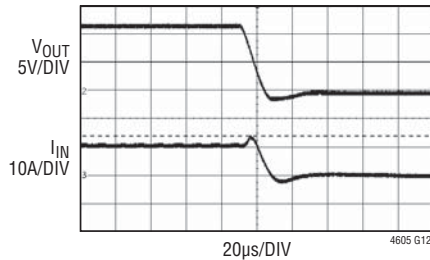
0.22μF SOFT-START CAP  
 OUTPUT CAPS: 4x 22μF CERAMIC CAPS AND  
 2x 180μF ELECTROLYTIC CAPS  
 2x 15mΩ SENSING RESISTORS

**Start-Up with 18V<sub>IN</sub> to 12V<sub>OUT</sub> at I<sub>OUT</sub> = 5A**



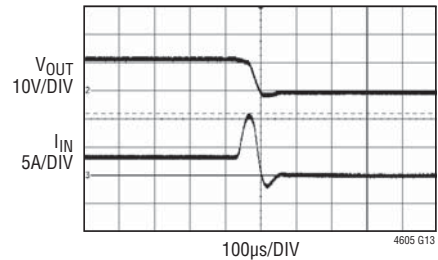
0.22μF SOFT-START CAP  
 OUTPUT CAPS: 4x 22μF CERAMIC CAPS AND  
 2x 180μF ELECTROLYTIC CAPS  
 2x 15mΩ SENSING RESISTORS

**Short Circuit with 6V<sub>IN</sub> to 12V<sub>OUT</sub> at I<sub>OUT</sub> = 5A**



OUTPUT CAPS: 4x 22μF CERAMIC CAPS AND  
 2x 180μF ELECTROLYTIC CAPS  
 2x 15mΩ SENSING RESISTORS

**Short Circuit with 18V<sub>IN</sub> to 12V<sub>OUT</sub> at I<sub>OUT</sub> = 5A**



OUTPUT CAPS: 4x 22μF CERAMIC CAPS AND  
 2x 180μF ELECTROLYTIC CAPS  
 2x 15mΩ SENSING RESISTORS

## PIN FUNCTIONS

**V<sub>IN</sub> (Bank 1):** Power Input Pins. Apply input voltage between these pins and PGND pins. Recommend placing input decoupling capacitance directly between V<sub>IN</sub> pins and PGND pins.

**V<sub>OUT</sub> (Bank 5):** Power Output Pins. Apply output load between these pins and PGND pins. Recommend placing output decoupling capacitance directly between these pins and PGND pins.

**PGND (Bank 6):** Power Ground Pins for Both Input and Output Returns.

**SW1, SW2 (Bank 4, Bank 2):** Switch Nodes. The power inductor is connected between SW1 and SW2.

**R<sub>SENSE</sub> (Bank 3):** Sensing Resistor Pin. The sensing resistor is connected from this pin to PGND.

**SENSE<sup>+</sup> (Pin A4):** Positive Input to the Current Sense and Reverse Current Detect Comparators.

**SENSE<sup>-</sup> (Pin A5):** Negative Input to the Current Sense and Reverse Current Detect Comparators.

**EXTV<sub>CC</sub> (Pin F6):** External V<sub>CC</sub> Input. When EXTV<sub>CC</sub> exceeds 5.7V, an internal switch connects this pin to INTV<sub>CC</sub> and shuts down the internal regulator so that the controller and gate drive power is drawn from EXTV<sub>CC</sub>. Do not exceed 7V at this pin and ensure that EXTV<sub>CC</sub> < V<sub>IN</sub>.

**INTV<sub>CC</sub> (Pin F5):** Internal 6V Regulator Output. This pin is for additional decoupling of the 6V internal regulator.

**PLLIN (Pin B9):** External Clock Synchronization Input to the Phase Detector. This pin is internally terminated to SGND with a 50k resistor. The phase-locked loop will force the rising bottom gate signal of the controller to be synchronized with the rising edge of PLLIN signal.

**PLLFLTR (Pin B8):** The lowpass filter of the phase-locked loop is tied to this pin. This pin can also be used to set the frequency of the internal oscillator with an AC or DC voltage. See the Applications Information section for details.

**SS (Pin A6):** Soft-Start Pin. Soft-start reduces the input power sources' surge currents by gradually increasing the controller's current limit.

**STBYMD (Pin A10):** LDO Control Pin. Determine whether the internal LDO remains active when the controller is shut down. See Operations section for details. If the STBYMD pin is pulled to ground, the SS pin is internally pulled to ground to disable start-up and thereby providing a single control pin for turning off the controller. An internal decoupling capacitor is tied to this pin.

**V<sub>FB</sub> (Pin B6):** The Negative Input of the Error Amplifier. Internally, this pin is connected to V<sub>OUT</sub> with a 100k precision resistor. Different output voltages can be programmed with an additional resistor between V<sub>FB</sub> and SGND pins. See the Applications Information section.

**FCB (Pin A9):** Forced Continuous Control Input. The voltage applied to this pin sets the operating mode of the module. When the applied voltage is less than 0.8V, the forced continuous current mode is active in boost operation and the skip cycle mode is active in buck operation. When the pin is tied to INTV<sub>CC</sub>, the constant frequency discontinuous current mode is active in buck or boost operation. See the Applications Information section.

**SGND (Pin A7):** Signal Ground Pin. This pin connects to PGND at output capacitor point.

**COMP (Pin B7):** Current Control Threshold and Error Amplifier Compensation Point. The current comparator threshold increases with this control voltage. The voltage ranges from 0V to 2.4V.

**PGOOD (Pin B5):** Output Voltage Power Good Indicator. Open drain logic output that is pulled to ground when the output voltage is not within ±10% of the regulation point, after a 25μs power bad mask timer expires.

**RUN (Pin A8):** Run Control Pin. A voltage below 1.6V will turn off the module. There is a 100k resistor between the RUN pin and SGND in the module. Do not apply more than 6V to this pin. See Applications Information section.

**SIMPLIFIED BLOCK DIAGRAM**

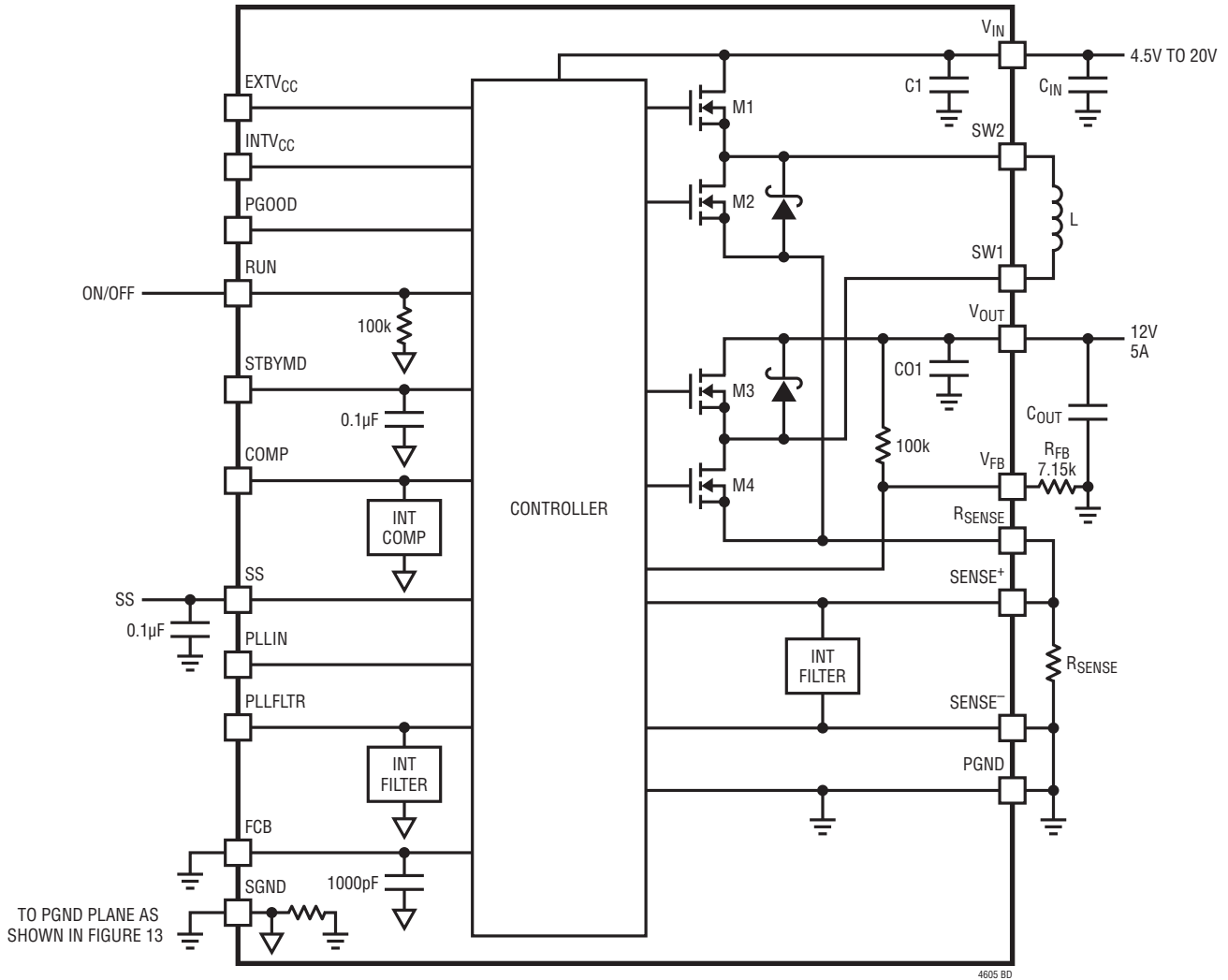


Figure 1. Simplified LTM4605 Block Diagram

**DECOUPLING REQUIREMENTS**  $T_A = 25^\circ\text{C}$ . Use Figure 1 configuration.

| SYMBOL    | PARAMETER   | CONDITIONS            | MIN | TYP | MAX | UNITS         |
|-----------|---|-----------------------|-----|-----|-----|---------------|
| $C_{IN}$  | External Input Capacitor Requirement ( $V_{IN} = 4.5\text{V to }20\text{V}$ , $V_{OUT} = 12\text{V}$ )  | $I_{OUT} = 5\text{A}$ | 10  |     |     | $\mu\text{F}$ |
| $C_{OUT}$ | External Output Capacitor Requirement ( $V_{IN} = 4.5\text{V to }20\text{V}$ , $V_{OUT} = 12\text{V}$ ) | $I_{OUT} = 5\text{A}$ | 200 | 300 |     | $\mu\text{F}$ |



## OPERATION

### Power Module Description

The LTM4605 is a non-isolated buck-boost DC/DC power supply. It can deliver a wide range output voltage from 0.8V to 16V over a wide input range from 4.5V to 20V, by only adding the sensing resistor, inductor and some external input and output capacitors. It provides precisely regulated output voltage programmable via one external resistor. The typical application schematic is shown in Figure 16.

The LTM4605 has an integrated current mode buck-boost control, ultralow  $R_{DS(ON)}$  FETs with fast switching speed and integrated Schottky diodes. With current mode control and internal feedback loop compensation, the LTM4605 module has sufficient stability margins and good transient performance under a wide range of operating conditions and with a wide range of output capacitors. The frequency of LTM4605 can be operated from 200kHz to 400kHz by setting the voltage on the PLLFLTR pin. Alternatively, its

frequency can be synchronized by the input clock signal from the PLLIN pin. The typical switching frequency is 400kHz.

The Burst Mode and skip-cycle mode operations can be enabled at light loads in the LTM4605 to improve its efficiency, while the forced continuous mode and discontinuous mode operations are used for constant frequency applications. Foldback current limiting is activated in an overcurrent condition as  $V_{FB}$  drops. Internal overvoltage and undervoltage comparators pull the open-drain PGOOD output low if the output feedback voltage exits the  $\pm 10\%$  window around the regulation point. Pulling the RUN pin below 1.6V forces the controller into its shutdown state.

If an external bias supply is applied on the EXTV<sub>CC</sub> pin, then an efficiency improvement will occur due to the reduced power loss in the internal linear regulator. This is especially true at the higher input voltage range.

## APPLICATIONS INFORMATION

The typical LTM4605 application circuit is shown in Figure 16. External component selection is primarily determined by the maximum load current and output voltage. Refer to Table 3 for specific external capacitor requirements for a particular application.

### Output Voltage Programming

The PWM controller has an internal  $0.8V \pm 1\%$  reference voltage. As shown in the Block Diagram, a 100k, 0.5% internal feedback resistor connects  $V_{OUT}$  and  $V_{FB}$  pins together. Adding a resistor  $R_{FB}$  from the  $V_{FB}$  pin to the SGND pin programs the output voltage:

$$V_{OUT} = 0.8V \cdot \frac{100k + R_{FB}}{R_{FB}}$$

**Table 1.  $R_{FB}$  Resistor (0.5%) vs Various Output Voltages**

|           |      |       |       |       |       |       |
|-----------|------|-------|-------|-------|-------|-------|
| $V_{OUT}$ | 0.8V | 1.5V  | 2.5V  | 3.3V  | 5V    | 6V    |
| $R_{FB}$  | Open | 115k  | 47.5k | 32.4k | 19k   | 15.4k |
| $V_{OUT}$ | 8V   | 9V    | 10V   | 12V   | 15V   | 16V   |
| $R_{FB}$  | 11k  | 9.76k | 8.66k | 7.15k | 5.62k | 5.23k |

### Operation Frequency Selection

The LTM4605 uses current mode control architecture at constant switching frequency, which is determined by the internal oscillator's capacitor. This internal capacitor is charged by a fixed current plus an additional current that is proportional to the voltage applied to the PLLFLTR pin.

## APPLICATIONS INFORMATION

The PLLFLTR pin can be grounded to lower the frequency to 200kHz or tied to 2.4V to yield approximately 400kHz. When PLLIN is left open, the PLLFLTR pin goes low, forcing the oscillator to its minimum frequency.

A graph for the voltage applied to the PLLFLTR pin vs frequency is given in Figure 2. As the operating frequency increases, the gate charge losses will be higher, thus the efficiency is low. The maximum switching frequency is approximately 400kHz.

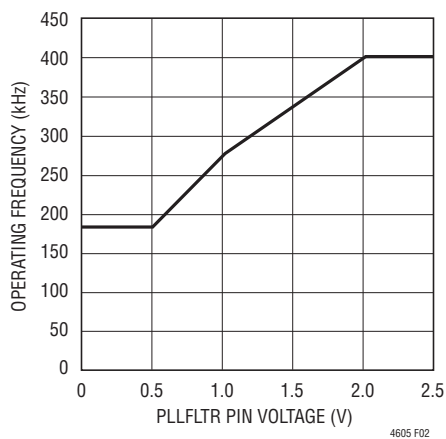


Figure 2. Frequency vs PLLFLTR Pin Voltage

### FREQUENCY SYNCHRONIZATION

The LTM4605 can also be synchronized to an external source via the PLLIN pin instead of adjusting the voltage on the PLLFLTR pin directly. The power module has a phase-locked loop comprised of an internal voltage controlled oscillator and a phase detector. This allows turning on the internal top MOSFET for locking to the rising edge of the external clock. A pulse detection circuit is used to detect a clock on the PLLIN pin to turn on the phase lock loop. The input pulse width of the clock has to be at least 400ns, and 2V in amplitude. The synchronized frequency ranges from 200kHz to 400kHz, corresponding to a DC voltage input from 0V to 2.4V at PLLFLTR. During the start up of the regulator, the phase-lock loop function is disabled.

### Low Current Operation

To improve the efficiency at low current operation, LTM4605 provides three modes for both buck and boost operations

by accepting a logic input on the FCB pin. Table 2 shows the different operation modes.

Table 2. Different Operating Modes

| FCB PIN     | BUCK                   | BOOST                  |
|-------------|------------------------|------------------------|
| 0V to 0.75V | Force Continuous Mode  | Force Continuous Mode  |
| 0.85V to 5V | Skip-Cycle Mode        | Burst Mode Operation   |
| >5.3V       | DCM with Constant Freq | DCM with Constant Freq |

When the FCB pin voltage is lower than 0.8V, the controller behaves as a continuous, PWM current mode synchronous switching regulator. When the FCB pin voltage is below  $V_{INTVCC} - 1V$ , but greater than 0.8V, the controller enters Burst Mode operation in boost operation or enters skip-cycle mode in buck operation. During boost operation, Burst Mode operation is activated if the load current is lower than the preset minimum output current level. The MOSFETs will turn on for several cycles, followed by a variable “sleep” interval depending upon the load current. During buck operation, skip-cycle mode sets a minimum positive inductor current level. In this mode, some cycles will be skipped when the output load current drops below 1% of the maximum designed load in order to maintain the output voltage.

When the FCB pin is tied to the  $INTV_{CC}$  pin, the controller enters constant frequency discontinuous current mode (DCM). For boost operation, if the output voltage is high enough, the controller can enter the continuous current buck mode for one cycle to discharge inductor current. In the following cycle, the controller will resume DCM boost operation. For buck operation, constant frequency discontinuous current mode is turned on if the preset minimum negative inductor current level is reached. At very light loads, this constant frequency operation is not as efficient as Burst Mode operation or skip-cycle, but does provide low noise, constant frequency operation.

### Input Capacitors

In boost mode, since the input current is continuous, only minimum input capacitors are required. However, the input current is discontinuous in buck mode, so the selection of input capacitor  $C_{IN}$  is driven by the need of filtering the input square wave current.

## APPLICATIONS INFORMATION

For a buck converter, the switching duty-cycle can be estimated as:

$$D = \frac{V_{OUT}}{V_{IN}}$$

Without considering the inductor current ripple, the RMS current of the input capacitor can be estimated as:

$$I_{CIN(RMS)} = \frac{I_{OUT(MAX)}}{\eta} \cdot \sqrt{D \cdot (1-D)}$$

In the above equation,  $\eta$  is the estimated efficiency of the power module.  $C_{IN}$  can be a switcher-rated electrolytic aluminum capacitor, OS-CON capacitor or high volume ceramic capacitors. Note the capacitor ripple current ratings are often based on temperature and hours of life. This makes it advisable to properly derate the input capacitor, or choose a capacitor rated at a higher temperature than required. Always contact the capacitor manufacturer for derating requirements.

### Output Capacitors

In boost mode, the discontinuous current shifts from the input to the output, so the output capacitor  $C_{OUT}$  must be capable of reducing the output voltage ripple.

For boost and buck modes, the steady ripple due to charging and discharging the bulk capacitance is given by:

$$V_{RIPPLE,BOOST} = \frac{I_{OUT(MAX)} \cdot (V_{OUT} - V_{IN(MIN)})}{C_{OUT} \cdot V_{OUT} \cdot f}$$

$$V_{RIPPLE,BUCK} = \frac{V_{OUT} \cdot (V_{IN(MAX)} - V_{OUT})}{8 \cdot L \cdot C_{OUT} \cdot V_{IN(MAX)} \cdot f^2}$$

The steady ripple due to the voltage drop across the ESR (effective series resistance) is given by:

$$V_{ESR,BUCK} = \Delta I_{L(MAX)} \cdot ESR$$

$$V_{ESR,BOOST} = I_{L(MAX)} \cdot ESR$$

The LTM4605 is designed for low output voltage ripple. The bulk output capacitors defined as  $C_{OUT}$  are chosen with low enough ESR to meet the output voltage ripple and transient requirements.  $C_{OUT}$  can be a low ESR tantalum capacitor, a low ESR polymer capacitor or a ceramic capacitor. Multiple capacitors can be placed in parallel to meet the ESR and RMS current handling requirements. The typical capacitance is 300 $\mu$ F. Additional output filtering may be required by the system designer, if further reduction of output ripple or dynamic transient spike is required. Table 3 shows a matrix of different output voltages and output capacitors to minimize the voltage droop and overshoot at a current transient.

### Inductor Selection

The inductor is chiefly decided by the required ripple current and the operating frequency. The inductor current ripple  $\Delta I_L$  is typically set to 20% to 40% of the maximum inductor current. In the inductor design, the worst cases in continuous mode are considered as follows:

$$L_{BOOST} \geq \frac{V_{IN} \cdot (V_{OUT(MAX)} - V_{IN})}{V_{OUT(MAX)} \cdot f \cdot I_{OUT(MAX)} \cdot \text{Ripple\%}}$$

$$L_{BUCK} \geq \frac{V_{OUT} \cdot (V_{IN(MAX)} - V_{OUT})}{V_{IN(MAX)} \cdot f \cdot I_{OUT(MAX)} \cdot \text{Ripple\%}}$$

where:

$f$  is operating frequency, Hz

Ripple% is allowable inductor current ripple, %

$V_{OUT(MAX)}$  is maximum output voltage, V

$V_{IN(MAX)}$  is maximum input voltage, V

$V_{OUT}$  is output voltage, V

$I_{OUT(MAX)}$  is maximum output load current

The inductor should have low DC resistance to reduce the  $I^2R$  losses, and must be able to handle the peak inductor current without saturation. To minimize radiated noise, use a toroid, pot core or shielded bobbin inductor. Please refer to Table 3 for the recommended inductors for different cases.

## APPLICATIONS INFORMATION

### R<sub>SENSE</sub> Selection and Maximum Output Current

R<sub>SENSE</sub> is chosen based on the required inductor current. Since the maximum inductor valley current at buck mode is much lower than the inductor peak current at boost mode, different sensing resistors are suggested to use in buck and boost modes.

The current comparator threshold sets the peak of the inductor current in boost mode and the maximum inductor valley current in buck mode. In boost mode, the allowed maximum average load current is:

$$I_{OUT(MAX,BOOST)} = \left( \frac{160mV}{R_{SENSE}} - \frac{\Delta I_L}{2} \right) \cdot \frac{V_{IN}}{V_{OUT}}$$

where  $\Delta I_L$  is peak-to-peak inductor ripple current.

In buck mode, the allowed maximum average load current is:

$$I_{OUT(MAX,BUCK)} = \frac{130mV}{R_{SENSE}} + \frac{\Delta I_L}{2}$$

The maximum current sensing R<sub>SENSE</sub> value for the boost mode is:

$$R_{SENSE(MAX,BOOST)} = \frac{2 \cdot 160mV \cdot V_{IN}}{2 \cdot I_{OUT(MAX,BOOST)} \cdot V_{OUT} + \Delta I_L \cdot V_{IN}}$$

The maximum current sensing R<sub>SENSE</sub> value for the buck mode is:

$$R_{SENSE(MAX,BUCK)} = \frac{2 \cdot 130mV}{2 \cdot I_{OUT(MAX,BUCK)} - \Delta I_L}$$

A 20% to 30% margin on the calculated sensing resistor is usually recommended. Please refer to Table 3 for the recommended sensing resistors for different applications.

### Soft-Start

The SS pin provides a means to soft-start the regulator. A capacitor on this pin will program the ramp rate of the output voltage. A 1.7 $\mu$ A current source will charge up the external soft-start capacitor. This will control the ramp of

the internal reference and the output voltage. The total soft-start time can be calculated as:

$$t_{SOFTSTART} = \frac{2.4V \cdot C_{SS}}{1.7\mu A}$$

When the RUN pin falls below 1.6V, then soft-start pin is reset to allow for proper soft-start control when the regulator is enabled again. Current foldback and force continuous mode are disabled during the soft-start process. The soft-start function can also be used to control the output ramp up time, so that another regulator can be easily tracked. Do not apply more than 6V to the SS pin.

### Run Enable

The RUN pin is used to enable the power module. The pin can be driven with a logic input, and not exceed 6V.

The RUN pin can also be used as an undervoltage lockout (UVLO) function by connecting a resistor from the input supply to the RUN pin. The equation:

$$V_{UVLO} = \frac{R + 100k}{100k} \cdot 1.6V$$

### Power Good

The PGOOD pin is an open drain pin that can be used to monitor valid output voltage regulation. This pin monitors a  $\pm 7.5\%$  window around the regulation point, and tracks with margining.

### COMP Pin

This pin is the external compensation pin. The module has already been internally compensated for most output voltages. A spice model will be provided for other control loop optimization.

### Fault Conditions: Current Limit and Overcurrent Foldback

LTM4605 has a current mode controller, which inherently limits the cycle-by-cycle inductor current not only in steady state operation, but also in transient. Refer to Table 3.

To further limit current in the event of an overload condition, the LTM4605 provides foldback current limiting. If the

## APPLICATIONS INFORMATION

output voltage falls by more than 70%, then the maximum output current is progressively lowered to about 30% of its full current limit value for boost mode and about 40% for buck mode.

### Standby Mode (STBYMD)

The standby mode (STBYMD) pin provides several choices for start-up and standby operational modes. If the pin is pulled to ground, the SS pin is internally pulled to ground, preventing start-up and thereby providing a single control pin for turning off the controller. If the pin is left open or decoupled with a capacitor to ground, the SS pin is internally provided with a starting current, permitting external control for turning on the controller. If the pin is connected to a voltage greater than 1.25V, the internal regulator (INTV<sub>CC</sub>) will be on even when the controller is shut down (RUN pin voltage <1.6V). In this mode, the onboard 6V linear regulator can provide power to keep-alive functions such as a keyboard controller.

### INTV<sub>CC</sub> and EXTV<sub>CC</sub>

An internal P-channel low dropout regulator produces 6V at the INTV<sub>CC</sub> pin from the V<sub>IN</sub> supply pin. INTV<sub>CC</sub> powers the control chip and internal circuitry within the module.

The LTM4605 also provides the external supply voltage pin EXTV<sub>CC</sub>. When the voltage applied to EXTV<sub>CC</sub> rises above 5.7V, the internal regulator is turned off and an internal switch connects the EXTV<sub>CC</sub> pin to the INTV<sub>CC</sub> pin thereby supplying internal power. The switch remains close as long as the voltage applied to EXTV<sub>CC</sub> remains above 5.5V. This allows the MOSFET driver and control power to be derived from the output when ( $5.7V < V_{OUT} < 7V$ ) and from the internal regulator when the output is out of regulation (start-up, short-circuit). If more current is required through the EXTV<sub>CC</sub> switch than is specified, an external Schottky diode can be interposed between the EXTV<sub>CC</sub> and INTV<sub>CC</sub> pins. Ensure that  $EXTV_{CC} \leq V_{IN}$ .

The following list summarizes the three possible connections for EXTV<sub>CC</sub>:

1. EXTV<sub>CC</sub> left open (or grounded). This will cause INTV<sub>CC</sub> to be powered from the internal 6V regulator at the cost of a small efficiency penalty.

2. EXTV<sub>CC</sub> connected directly to V<sub>OUT</sub> ( $5.7V < V_{OUT} < 7V$ ). This is the normal connection for a 6V regulator and provides the highest efficiency.

3. EXTV<sub>CC</sub> connected to an external supply. If an external supply is available in the 5.5V to 7V range, it may be used to power EXTV<sub>CC</sub> provided it is compatible with the MOSFET gate drive requirements.

### Thermal Considerations and Output Current Derating

In different applications, the LTM4605 operates in a variety of thermal environments. The maximum output current is limited by the environmental thermal condition. Sufficient cooling should be provided to ensure reliable operation. When the cooling is limited, proper output current derating is necessary, considering ambient temperature, airflow, input/output condition, and the need for increased reliability.

The power loss curves in Figures 5 and 6 can be used in coordination with the load current derating curves in Figures 7 to 12 for calculating an approximate  $\theta_{JA}$  for the module. Column designation delineates between no heatsink, and a BGA heatsink. Each of the load current derating curves will lower the maximum load current as a function of the increased ambient temperature to keep the maximum junction temperature of the power module at 115°C maximum. This will allow a safe margin to work at the maximum operating temperature below 125°C. Each of the derating curves and the power loss curve that corresponds to the correct output voltage can be used to solve for the approximate  $\theta_{JA}$  of the condition. A complete explanation of the thermal characteristics is provided in the thermal application note for the LTM4605.

## DESIGN EXAMPLES

### Buck Mode Operation

As a design example, use input voltage  $V_{IN} = 12V$  to 20V,  $V_{OUT} = 12V$  and  $f = 400kHz$ .

Set the PLLFLTR pin at 2.4V or more for 400kHz frequency and connect FCB to ground for continuous current mode operation.

## APPLICATIONS INFORMATION

To set the output voltage at 12V, the resistor  $R_{FB}$  from  $V_{FB}$  pin to ground should be chosen as:

$$R_{FB} = \frac{0.8V \cdot 100k}{V_{OUT} - 0.8V} \approx 7.15k$$

To choose a proper inductor, we need to know the current ripples at different input voltages. The inductor should be chosen by considering the worst case in the practical operating region. If the maximum output power  $P$  is 150W at buck mode, we can get the current ripple ratio of the current ripple  $\Delta I_L$  to the maximum inductor current  $I_L$  as follows:

$$\frac{\Delta I_L}{I_L} = \frac{(V_{IN} - V_{OUT}) \cdot V_{OUT}^2}{V_{IN} \cdot L \cdot f \cdot P}$$

Figure 3 shows the current ripple ratio at different input voltages based on the inductor values: 1.5 $\mu$ H, 2.5 $\mu$ H, 3.3 $\mu$ H and 4.7 $\mu$ H. If we need 30% ripple current ratio at all inputs, the 3.3 $\mu$ H inductor can be selected.

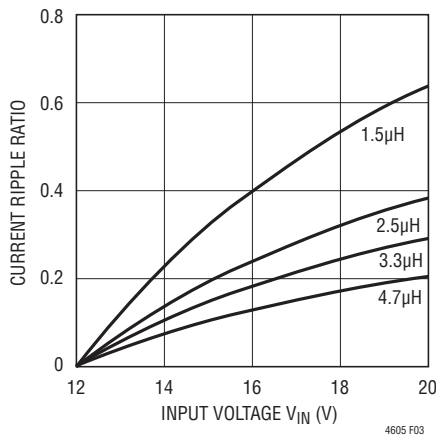


Figure 3. Current Ripple Ratio at Different Inputs for Buck Mode

At buck mode, sensing resistor selection is based on the maximum output current and the allowed maximum sensing threshold 130mV.

$$R_{SENSE} = \frac{2 \cdot 130mV}{2 \cdot (P / V_{OUT}) - \Delta I_L}$$

Consider the safety margin about 30%, we can choose the sensing resistor as 8m $\Omega$ .

For the input capacitor, use a low ESR sized capacitor to handle the maximum RMS current. Input capacitors are required to be placed adjacent to the module. In Figure 14, the 10 $\mu$ F ceramic input capacitors are selected for their ability to handle the large RMS current into the converter. The 100 $\mu$ F bulk capacitor is only needed if the input source impedance is compromised by long inductive leads or traces.

For the output capacitor, the output voltage ripple and transient requirements require low ESR capacitors. If assuming that the ESR dominates the output ripple, the output ripple is as follows:

$$\Delta V_{OUT(P-P)} = ESR \cdot \Delta I_L$$

If a total low ESR of about 5m $\Omega$  is chosen for output capacitors, the maximum output ripple of 17.5mV occurs at the input voltage of 20V with the current ripple at 3.5A.

### Boost Mode Operation

For boost mode operation, use input voltage  $V_{IN} = 5V$  to 12V,  $V_{OUT} = 12V$  and  $f = 400kHz$ .

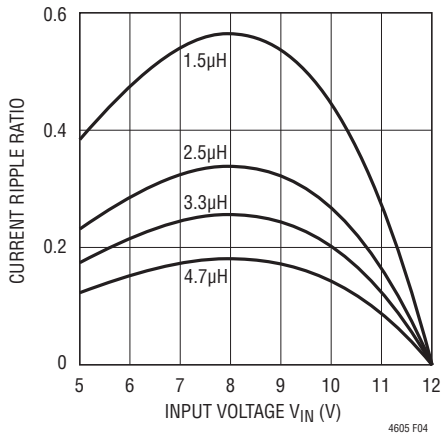
Set the PLLFLTR pin and  $R_{FB}$  as in buck mode.

If the maximum output power  $P$  is 60W at boost mode and the module efficiency  $\eta$  is about 95%, we can get the current ripple ratio of the current ripple  $\Delta I_L$  to the maximum inductor current  $I_L$  as follows:

$$\frac{\Delta I_L}{I_L} = \frac{(V_{OUT} - V_{IN}) \cdot V_{IN}^2 \eta}{V_{OUT} \cdot L \cdot f \cdot P}$$

Figure 4. shows the current ripple ratio at different input voltages based on the inductor values: 1.5 $\mu$ H, 2.5 $\mu$ H, 3.3 $\mu$ H and 4.7 $\mu$ H. If we need 30% ripple current ratio at all inputs, the 3.3 $\mu$ H inductor can be selected.

## APPLICATIONS INFORMATION



**Figure 4. Current Ripple Ratio at Different Inputs for Boost Mode**

At boost mode, sensing resistor selection is based on the maximum input current and the allowed maximum sensing threshold 160mV.

$$R_{\text{SENSE}} = \frac{2 \cdot 160\text{mV}}{2 \cdot \frac{P}{\eta \cdot V_{\text{IN(MIN)}}} + \Delta I_L}$$

Consider the safety margin about 30%, we can choose the sensing resistor as 8mΩ.

For the input capacitor, only minimum capacitors are needed to handle the maximum RMS current, since it is a continuous input current at boost mode. A 100µF capacitor is only needed if the input source impedance is compromised by long inductive leads or traces.

Since the output capacitors at boost mode need to filter the square wave current, more capacitors are expected to achieve the same output ripples as the buck mode. If assuming that the ESR dominates the output ripple, the

output ripple is as follows:

$$\Delta V_{\text{OUT(P-P)}} = \text{ESR} \cdot I_{\text{L(MAX)}}$$

If a total low ESR about 5mΩ is chosen for output capacitors, the maximum output ripple of 70mV occurs at the input voltage of 5V with the peak inductor current at 14A.

### Wide Input Mode Operation

If a wide input is required from 5V to 20V, the module will work in different operation modes. If input voltage  $V_{\text{IN}} = 5\text{V}$  to 20V,  $V_{\text{OUT}} = 12\text{V}$  and  $f = 400\text{kHz}$ , the design needs to consider the worst case in buck or boost mode design. Therefore, the maximum output power is limited to 60W. The sensing resistor is chosen at 8mΩ, the input capacitor is the same as the buck mode design and the output capacitor uses the boost mode design. Since the maximum output ripple normally occurs at boost mode in the wide input mode design, more inductor ripple current, up to 150% of the inductor current, is allowed at buck mode to meet the ripple design requirement. Thus, a 3.3µH inductor is chosen at the wide input mode. The maximum output ripple voltage is still 70mV if the total ESR is about 5mΩ.

Additionally, the current limit may become very high when the module runs at buck mode due to the low sensing resistor used in the wide input mode operation.

### Safety Considerations

The LTM4605 modules do not provide isolation from  $V_{\text{IN}}$  to  $V_{\text{OUT}}$ . There is no internal fuse. If required, a slow blow fuse with a rating twice the maximum input current needs to be provided to protect each unit from catastrophic failure.

## APPLICATIONS INFORMATION

Table 3. Typical Components (f = 400kHz)

| <b>C<sub>OUT1</sub> VENDORS</b> | <b>PART NUMBER</b>               | <b>C<sub>OUT2</sub> VENDORS</b>  | <b>PART NUMBER</b>                     |
|---------------------------------|----------------------------------|----------------------------------|--|
| TDK                             | C4532X7R1E226M (22 $\mu$ F, 25V) | Sanyo                            | 16SVP180MX (180 $\mu$ F, 16V)          |
| <b>INDUCTOR VENDORS</b>         | <b>PART NUMBER</b>               | <b>R<sub>SENSE</sub> VENDORS</b> | <b>PART NUMBER</b>                     |
| Toko                            | FDA1254                          | Vishay                           | Power Metal Strip Resistors WSL1206-18 |
| Sumida                          | CDEP134, CDEP145                 | Panasonic                        | Thick Film Chip Resistors ERJ12        |

| <b>V<sub>IN</sub></b><br>(V) | <b>V<sub>OUT</sub></b><br>(V) | <b>R<sub>SENSE</sub></b><br>(0.5W RATING) | <b>Inductor</b><br>( $\mu$ H) | <b>C<sub>IN</sub></b><br>(CERAMIC) | <b>C<sub>IN</sub></b><br>(BULK) | <b>C<sub>OUT1</sub></b><br>(CERAMIC) | <b>C<sub>OUT2</sub></b><br>(BULK) | <b>I<sub>OUT(MAX)</sub>*</b><br>(A) |
|------------------------------|-------------------------------|---|-------------------------------|------------------------------------|---------------------------------|--------------------------------------|-----------------------------------|-------------------------------------|
| 5                            | 2.5                           | 2x 16m $\Omega$ 0.5W                      | 1                             | 3x 10 $\mu$ F 25V                  | 150 $\mu$ F 35V                 | 2x 22 $\mu$ F 25V                    | 1x 180 $\mu$ F 16V                | 12                                  |
| 12                           | 2.5                           | 2x 18m $\Omega$ 0.5W                      | 1.5                           | 2x 10 $\mu$ F 25V                  | 150 $\mu$ F 35V                 | 2x 22 $\mu$ F 25V                    | 1x 180 $\mu$ F 16V                | 12                                  |
| 5                            | 3.3                           | 2x 18m $\Omega$ 0.5W                      | 1                             | 3x 10 $\mu$ F 25V                  | 150 $\mu$ F 35V                 | 2x 22 $\mu$ F 25V                    | 1x 180 $\mu$ F 16V                | 12                                  |
| 12                           | 3.3                           | 2x 18m $\Omega$ 0.5W                      | 1.5                           | 2x 10 $\mu$ F 25V                  | 150 $\mu$ F 35V                 | 2x 22 $\mu$ F 25V                    | 1x 180 $\mu$ F 16V                | 12                                  |
| 12                           | 5                             | 2x 18m $\Omega$ 0.5W                      | 2.2                           | 3x 10 $\mu$ F 25V                  | 150 $\mu$ F 35V                 | 2x 22 $\mu$ F 25V                    | 1x 180 $\mu$ F 16V                | 12                                  |
| 20                           | 5                             | 2x 18m $\Omega$ 0.5W                      | 2.5                           | 2x 10 $\mu$ F 25V                  | 150 $\mu$ F 35V                 | 2x 22 $\mu$ F 25V                    | 1x 180 $\mu$ F 16V                | 12                                  |
| 5                            | 8                             | 2x 14m $\Omega$ 0.5W                      | 1.5                           | None                               | 150 $\mu$ F 35V                 | 4x 22 $\mu$ F 25V                    | 2x 180 $\mu$ F 16V                | 8                                   |
| 12                           | 8                             | 2x 18m $\Omega$ 0.5W                      | 2.2                           | 3x 10 $\mu$ F 25V                  | 150 $\mu$ F 35V                 | 2x 22 $\mu$ F 25V                    | 2x 180 $\mu$ F 16V                | 12                                  |
| 20                           | 8                             | 2x 18m $\Omega$ 0.5W                      | 3.3                           | 3x 10 $\mu$ F 25V                  | 150 $\mu$ F 35V                 | 2x 22 $\mu$ F 25V                    | 2x 180 $\mu$ F 16V                | 12                                  |
| 5                            | 10                            | 2x 16m $\Omega$ 0.5W                      | 2.2                           | None                               | 150 $\mu$ F 35V                 | 4x 22 $\mu$ F 25V                    | 2x 180 $\mu$ F 16V                | 6                                   |
| 15                           | 10                            | 2x 18m $\Omega$ 0.5W                      | 2.2                           | 3x 10 $\mu$ F 25V                  | 150 $\mu$ F 35V                 | 2x 22 $\mu$ F 25V                    | 2x 180 $\mu$ F 16V                | 12                                  |
| 20                           | 10                            | 2x 18m $\Omega$ 0.5W                      | 3.3                           | 3x 10 $\mu$ F 25V                  | 150 $\mu$ F 35V                 | 2x 22 $\mu$ F 25V                    | 2x 180 $\mu$ F 16V                | 12                                  |
| 6                            | 12                            | 2x 14m $\Omega$ 0.5W                      | 2.2                           | None                               | 150 $\mu$ F 35V                 | 4x 22 $\mu$ F 25V                    | 2x 180 $\mu$ F 16V                | 6                                   |
| 16                           | 12                            | 2x 16m $\Omega$ 0.5W                      | 2.2                           | 2x 10 $\mu$ F 25V                  | 150 $\mu$ F 35V                 | 2x 22 $\mu$ F 25V                    | 2x 180 $\mu$ F 16V                | 12                                  |
| 20                           | 12                            | 2x 18m $\Omega$ 0.5W                      | 3.3                           | 3x 10 $\mu$ F 25V                  | 150 $\mu$ F 35V                 | 2x 22 $\mu$ F 25V                    | 2x 180 $\mu$ F 16V                | 12                                  |
| 5                            | 16                            | 2x 15m $\Omega$ 0.5W                      | 3.3                           | None                               | 150 $\mu$ F 35V                 | 4x 22 $\mu$ F 25V                    | 2x 150 $\mu$ F 20V                | 3.5                                 |
| 8                            | 16                            | 2x 14m $\Omega$ 0.5W                      | 3.3                           | None                               | 150 $\mu$ F 35V                 | 4x 22 $\mu$ F 25V                    | 2x 150 $\mu$ F 20V                | 6                                   |
| 12                           | 16                            | 2x 12m $\Omega$ 0.5W                      | 2.2                           | None                               | 150 $\mu$ F 35V                 | 4x 22 $\mu$ F 25V                    | 2x 150 $\mu$ F 20V                | 10                                  |
| 20                           | 16                            | 2x 18m $\Omega$ 0.5W                      | 2.2                           | 2x 10 $\mu$ F 25V                  | 150 $\mu$ F 35V                 | 2x 22 $\mu$ F 25V                    | 2x 150 $\mu$ F 20V                | 12                                  |

| <b>INDUCTOR MANUFACTURER</b> | <b>WEBSITE</b>                                     | <b>PHONE NUMBER</b> |
|------------------------------|--|---------------------|
| Sumida                       | <a href="http://www.sumida.com">www.sumida.com</a> | 408-321-9660        |
| Toko                         | <a href="http://www.toko.com">www.toko.com</a>     | 847-297-0070        |

| <b>SENSING RESISTOR MANUFACTURER</b> | <b>WEBSITE</b>   | <b>PHONE NUMBER</b> |
|--------------------------------------|--|---------------------|
| Panasonic                            | <a href="http://www.panasonic.com/industrial/components">www.panasonic.com/industrial/components</a> | 949-462-1816        |
| KOA                                  | <a href="http://www.koaspeer.com">www.koaspeer.com</a>   | 814-362-5536        |
| Vishay                               | <a href="http://www.vishay.com">www.vishay.com</a>   | 800-433-5700        |

\*Maximum load current is based on the Linear Demo board 1198A at room temperature with natural convection. Poor board layout design may decrease the maximum load current.



**TYPICAL APPLICATIONS** Power loss includes all external components

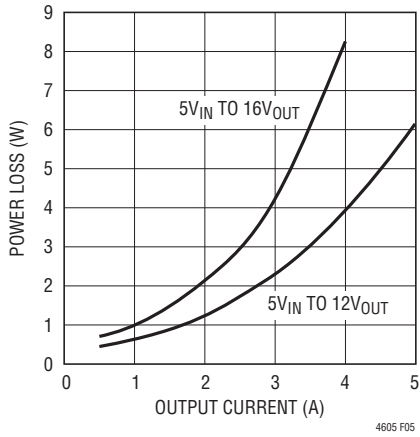


Figure 5. 5V<sub>IN</sub> Power Loss

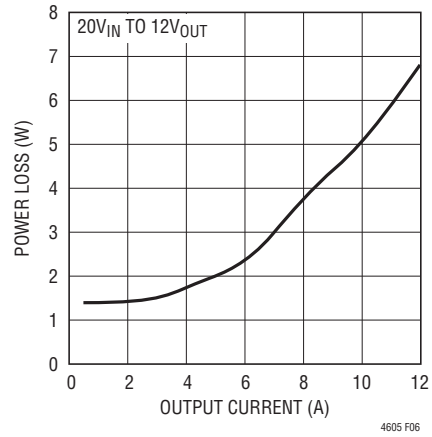


Figure 6. 20V<sub>IN</sub> Power Loss

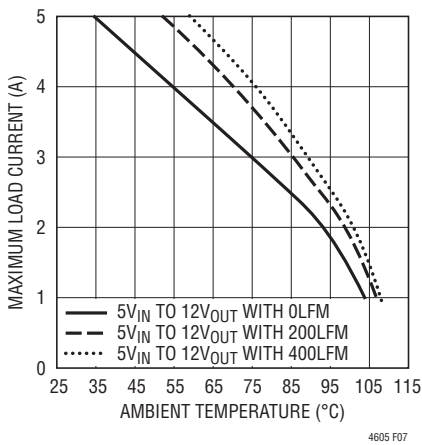


Figure 7. 5V<sub>IN</sub> to 12V<sub>OUT</sub> without Heatsink

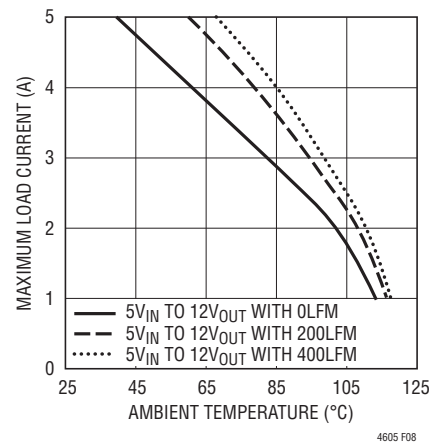


Figure 8. 5V<sub>IN</sub> to 12V<sub>OUT</sub> with Heatsink

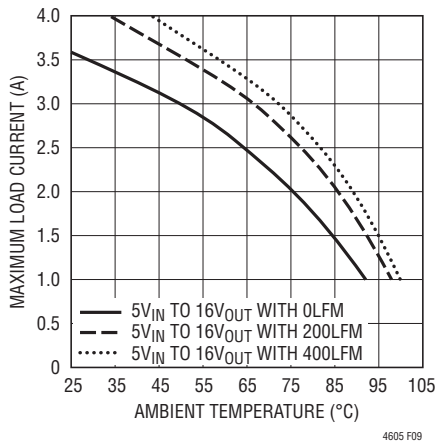


Figure 9. 5V<sub>IN</sub> to 16V<sub>OUT</sub> without Heatsink

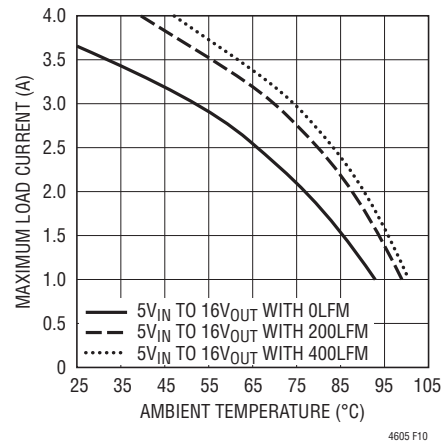
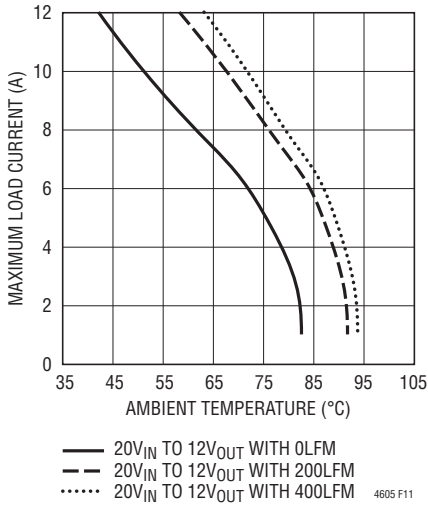


Figure 10. 5V<sub>IN</sub> to 16V<sub>OUT</sub> with Heatsink

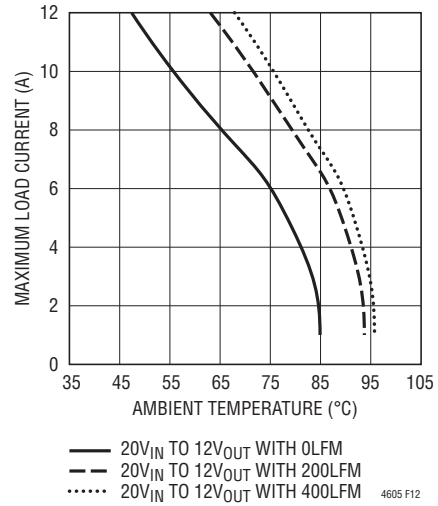
## TYPICAL APPLICATIONS Power loss includes all external components

**No Heat Sink**



**Figure 11. 20V<sub>IN</sub> to 12V<sub>OUT</sub> without Heatsink**

**BGA Heat Sink**



**Figure 12. 20V<sub>IN</sub> to 12V<sub>OUT</sub> with Heatsink**

## APPLICATIONS INFORMATION

**Table 4. 5V Output**

| DERATING CURVE | V <sub>IN</sub> (V) | POWER LOSS CURVE | AIR FLOW (LFM) | HEATSINK     | θ <sub>JA</sub> (°C/W)* |
|----------------|---------------------|------------------|----------------|--------------|-------------------------|
| Figure 7, 9    | 12, 16              | Figure 5         | 0              | none         | 11.2                    |
| Figure 7, 9    | 12, 16              | Figure 5         | 200            | none         | 8.3                     |
| Figure 7, 9    | 12, 16              | Figure 5         | 400            | none         | 7.2                     |
| Figure 8, 10   | 12, 16              | Figure 5         | 0              | BGA Heatsink | 10.7                    |
| Figure 8, 10   | 12, 16              | Figure 5         | 200            | BGA Heatsink | 7.7                     |
| Figure 8, 10   | 12, 16              | Figure 5         | 400            | BGA Heatsink | 6.6                     |

**Table 5. 20V Input and 12V Output**

| DERATING CURVE | V <sub>IN</sub> (V) | POWER LOSS CURVE | AIR FLOW (LFM) | HEATSINK     | θ <sub>JA</sub> (°C/W)* |
|----------------|---------------------|------------------|----------------|--------------|-------------------------|
| Figure 11      | 20                  | Figure 6         | 0              | none         | 8.2                     |
| Figure 11      | 20                  | Figure 6         | 200            | none         | 5.8                     |
| Figure 11      | 20                  | Figure 6         | 400            | none         | 5.3                     |
| Figure 12      | 20                  | Figure 6         | 0              | BGA Heatsink | 7.6                     |
| Figure 12      | 20                  | Figure 6         | 200            | BGA Heatsink | 5.3                     |
| Figure 12      | 20                  | Figure 6         | 400            | BGA Heatsink | 4.8                     |

| HEATSINK MANUFACTURER | PART NUMBER | PHONE NUMBER |
|-----------------------|-------------|--------------|
| Wakefield Engineering | LTN20069    | 603-635-2600 |

\*The results of thermal resistance from junction to ambient θ<sub>JA</sub> are based on the demo board of 1198A. Thus, the maximum temperature on board is treated as the junction temperature (which is in the μModule for most cases) and the power losses from all components are counted for calculations. It has to be mentioned that poor board design may increase the θ<sub>JA</sub>.

## APPLICATIONS INFORMATION

### Layout Checklist/Example

The high integration of LTM4605 makes the PCB board layout very simple and easy. However, to optimize its electrical and thermal performance, some layout considerations are still necessary.

- Use large PCB copper areas for high current path, including  $V_{IN}$ ,  $R_{SENSE}$ , SW1, SW2, PGND and  $V_{OUT}$ . It helps to minimize the PCB conduction loss and thermal stress.
- Place high frequency input and output ceramic capacitors next to the  $V_{IN}$ , PGND and  $V_{OUT}$  pins to minimize high frequency noise
- Route SENSE<sup>-</sup> and SENSE<sup>+</sup> leads together with minimum PC trace spacing. Avoid sense lines passing through noisy areas, such as switch nodes.
- Place a dedicated power ground layer underneath the unit.
- To minimize the via conduction loss and reduce module thermal stress, use multiple vias for interconnection between the top layer and other power layers
- Do not put vias directly on pads, unless the vias are capped.

- Use a separated SGND ground copper area for components connected to signal pins. Connect the SGND to PGND underneath the unit.

Figure 13. gives a good example of the recommended layout.

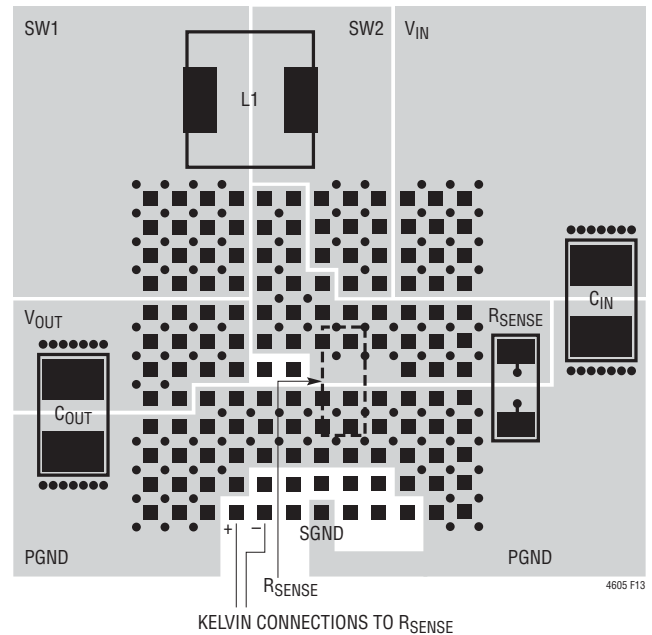


Figure 13. Recommended PCB Layout

## TYPICAL APPLICATIONS

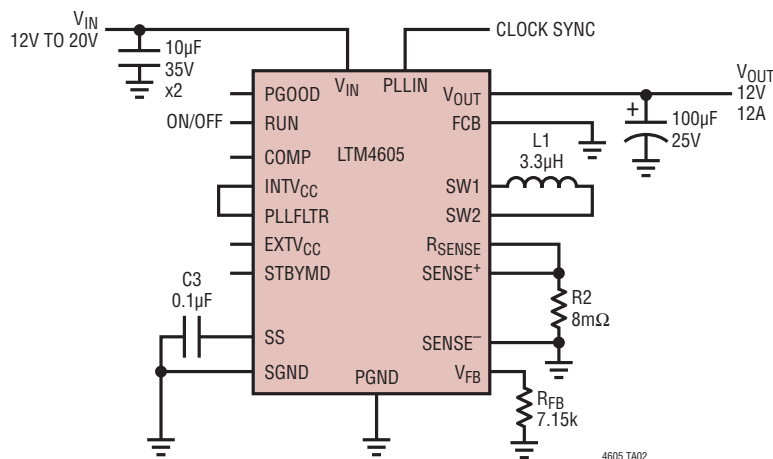


Figure 14. Buck Mode Operation with 12V to 20V Input

# TYPICAL APPLICATIONS

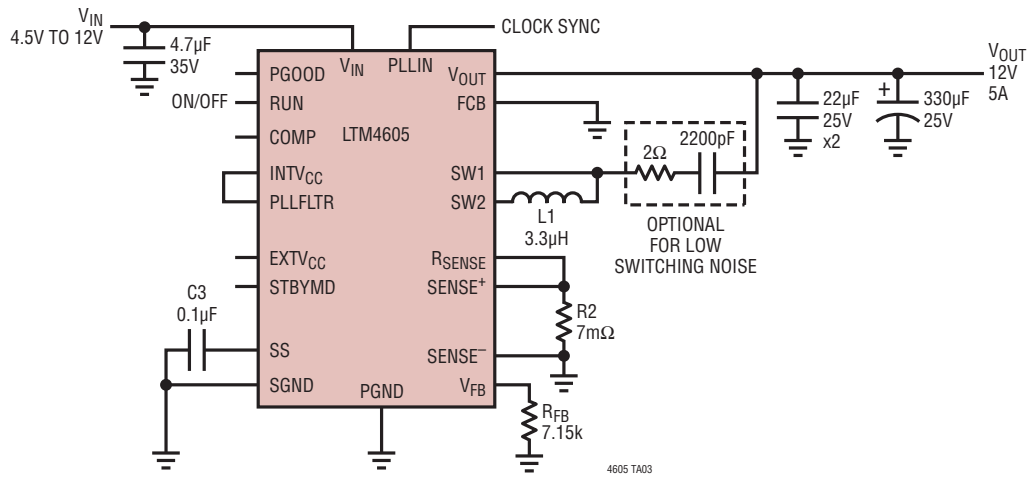


Figure 15. Boost Mode Operation with 4.5V to 12V Input

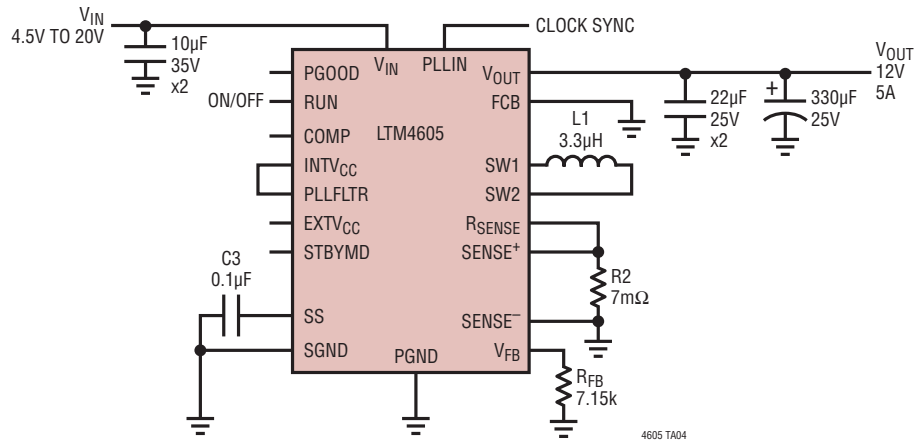


Figure 16. Wide Input Mode with 4.5V to 20V Input, 12V at 5A Output

TYPICAL APPLICATIONS

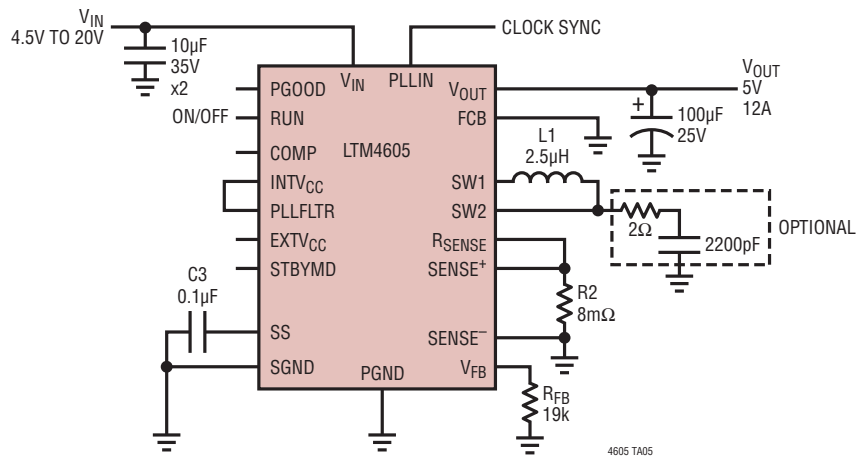


Figure 17. 5V at 12A Design with Low Switching Noise (Optional)

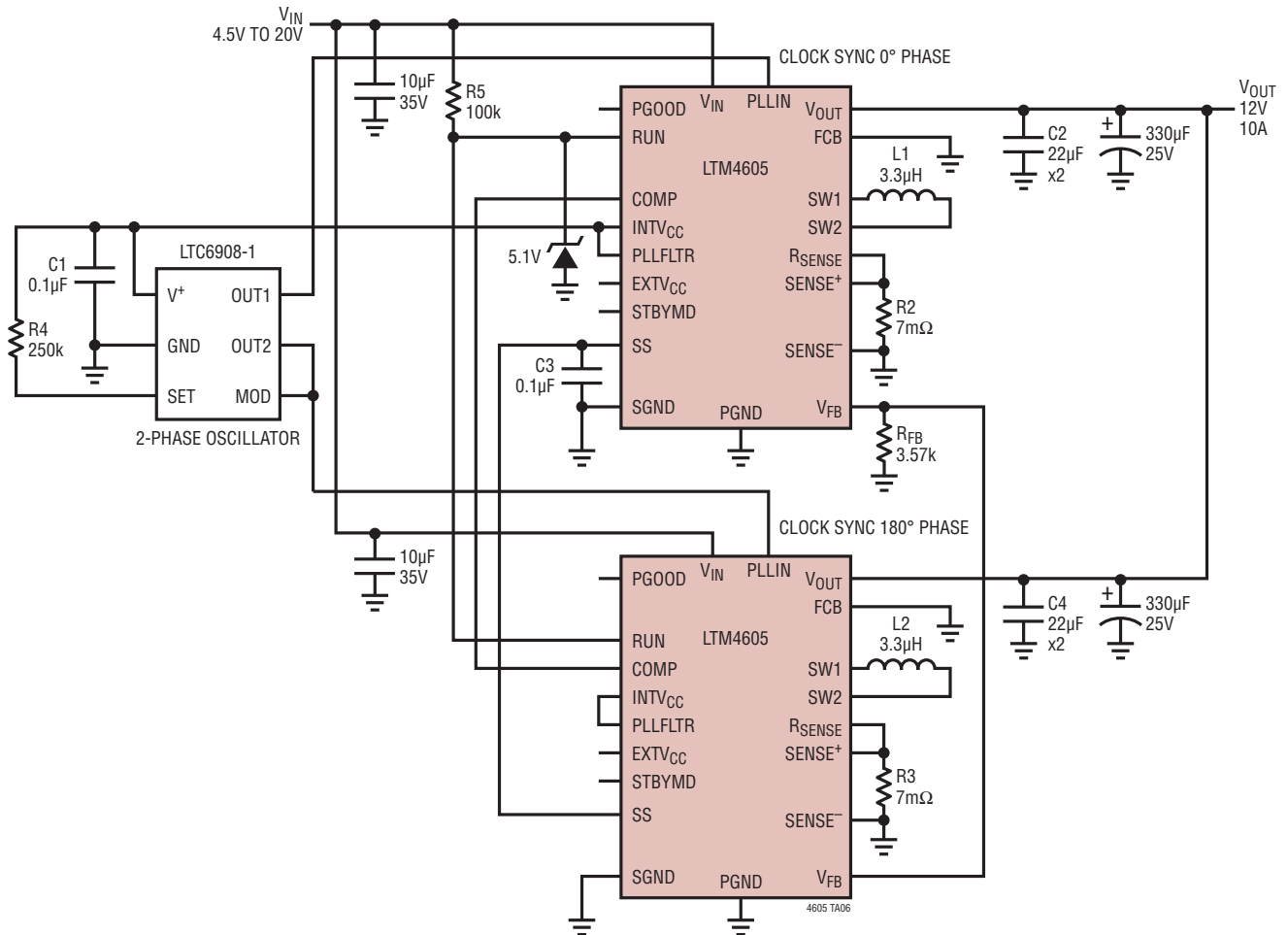
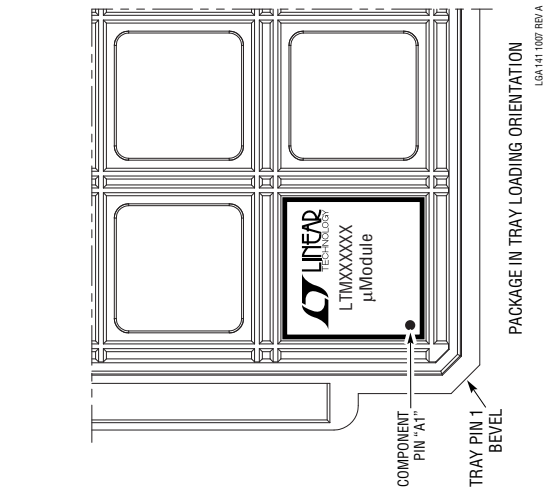
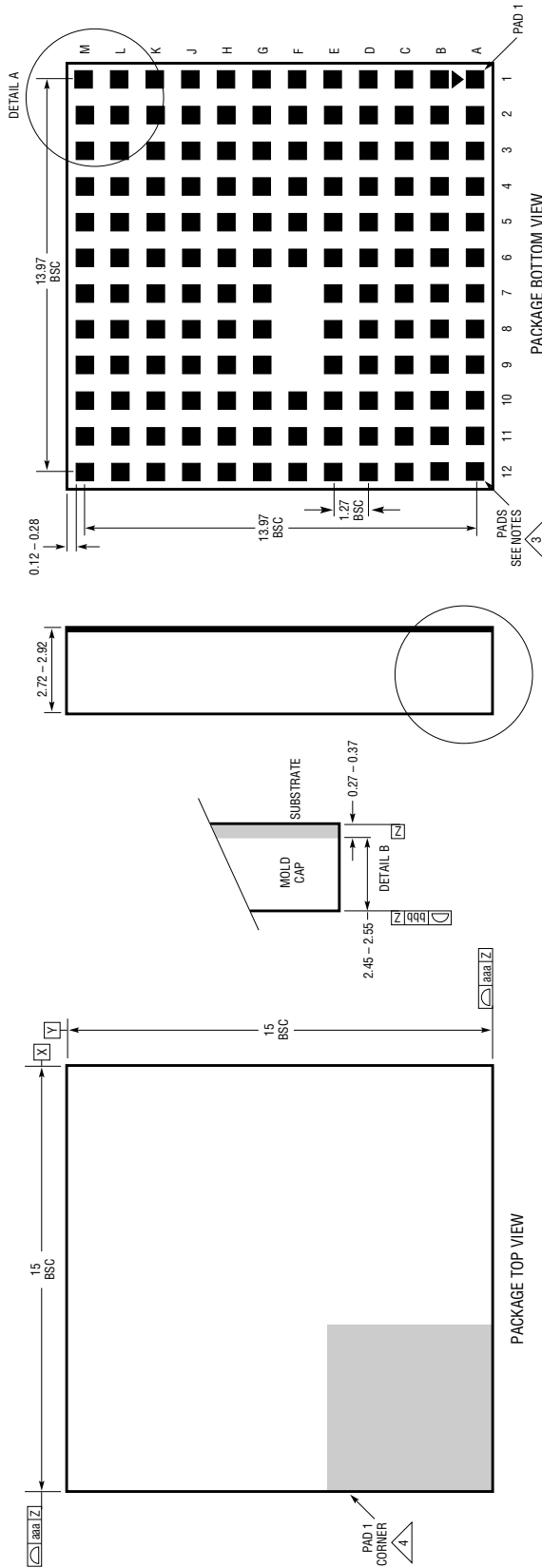


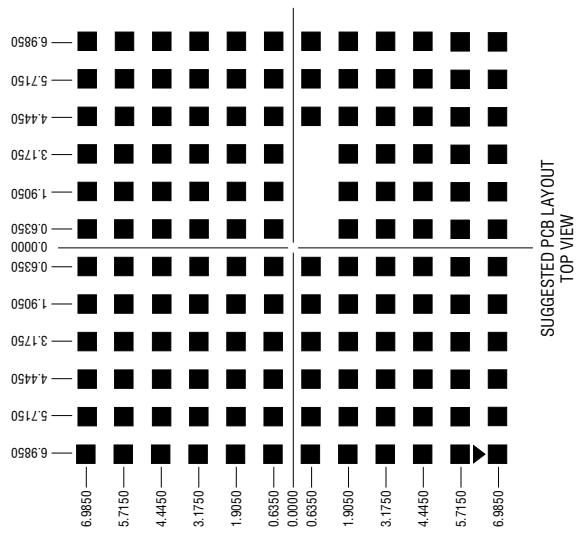
Figure 18. Two-Phase Parallel, 12V at 10A Design

# PACKAGE DESCRIPTION

**LGA Package**  
**141-Lead (15mm × 15mm × 2.82mm)**  
 (Reference LTC DWG # 05-08-1815 Rev A)



- NOTES:**
1. DIMENSIONING AND TOLERANCING PER ASME Y14.5M-1994
  2. ALL DIMENSIONS ARE IN MILLIMETERS
  3. LAND DESIGNATION PER JEDEC MO-222, SPP-010
  4. DETAILS OF PAD #1 IDENTIFIER ARE OPTIONAL, BUT MUST BE LOCATED WITHIN THE ZONE INDICATED. THE PAD #1 IDENTIFIER MAY BE EITHER A MOLD OR MARKED FEATURE
  5. PRIMARY DATUM -Z- IS SEATING PLANE
  6. THE TOTAL NUMBER OF PADS: 141



| SYMBOL | TOLERANCE |
|--------|-----------|
| aaa    | 0.10      |
| bbb    | 0.10      |
| eee    | 0.05      |

## PACKAGE DESCRIPTION

**Pin Assignment Table 4**  
(Arranged by Pin Number)

| PIN NAME | PIN NAME           | PIN NAME | PIN NAME           | PIN NAME | PIN NAME           |
|----------|--------------------|----------|--------------------|----------|--------------------|
| A1       | PGND               | C1       | PGND               | E1       | V <sub>OUT</sub>   |
| A2       | PGND               | C2       | PGND               | E2       | V <sub>OUT</sub>   |
| A3       | PGND               | C3       | PGND               | E3       | PGND               |
| A4       | SENSE <sup>+</sup> | C4       | PGND               | E4       | PGND               |
| A5       | SENSE <sup>-</sup> | C5       | PGND               | E5       | PGND               |
| A6       | SS                 | C6       | PGND               | E6       | PGND               |
| A7       | SGND               | C7       | PGND               | E7       | PGND               |
| A8       | RUN                | C8       | PGND               | E8       | PGND               |
| A9       | FCB                | C9       | PGND               | E9       | PGND               |
| A10      | STBYMD             | C10      | PGND               | E10      | PGND               |
| A11      | PGND               | C11      | PGND               | E11      | PGND               |
| A12      | PGND               | C12      | PGND               | E12      | PGND               |
| B1       | PGND               | D1       | PGND               | F1       | V <sub>OUT</sub>   |
| B2       | PGND               | D2       | PGND               | F2       | V <sub>OUT</sub>   |
| B3       | PGND               | D3       | PGND               | F3       | V <sub>OUT</sub>   |
| B4       | PGND               | D4       | PGND               | F4       | V <sub>OUT</sub>   |
| B5       | PGOOD              | D5       | PGND               | F5       | INTV <sub>CC</sub> |
| B6       | V <sub>FB</sub>    | D6       | PGND               | F6       | EXTV <sub>CC</sub> |
| B7       | COMP               | D7       | PGND               | F7       | –                  |
| B8       | PLLFTR             | D8       | PGND               | F8       | –                  |
| B9       | PLLIN              | D9       | PGND               | F9       | –                  |
| B10      | PGND               | D10      | PGND               | F10      | R <sub>SENSE</sub> |
| B11      | PGND               | D11      | PGND               | F11      | R <sub>SENSE</sub> |
| B12      | PGND               | D12      | PGND               | F12      | R <sub>SENSE</sub> |
| G1       | V <sub>OUT</sub>   | J1       | SW1                | L1       | SW1                |
| G2       | V <sub>OUT</sub>   | J2       | SW1                | L2       | SW1                |
| G3       | V <sub>OUT</sub>   | J3       | SW1                | L3       | SW1                |
| G4       | V <sub>OUT</sub>   | J4       | SW1                | L4       | SW1                |
| G5       | R <sub>SENSE</sub> | J5       | R <sub>SENSE</sub> | L5       | R <sub>SENSE</sub> |
| G6       | R <sub>SENSE</sub> | J6       | R <sub>SENSE</sub> | L6       | R <sub>SENSE</sub> |
| G7       | R <sub>SENSE</sub> | J7       | R <sub>SENSE</sub> | L7       | SW2                |
| G8       | R <sub>SENSE</sub> | J8       | SW2                | L8       | SW2                |
| G9       | R <sub>SENSE</sub> | J9       | SW2                | L9       | SW2                |
| G10      | R <sub>SENSE</sub> | J10      | V <sub>IN</sub>    | L10      | V <sub>IN</sub>    |
| G11      | R <sub>SENSE</sub> | J11      | V <sub>IN</sub>    | L11      | V <sub>IN</sub>    |
| G12      | R <sub>SENSE</sub> | J12      | V <sub>IN</sub>    | L12      | V <sub>IN</sub>    |
| H1       | V <sub>OUT</sub>   | K1       | SW1                | M1       | SW1                |
| H2       | V <sub>OUT</sub>   | K2       | SW1                | M2       | SW1                |
| H3       | V <sub>OUT</sub>   | K3       | SW1                | M3       | SW1                |
| H4       | V <sub>OUT</sub>   | K4       | SW1                | M4       | SW1                |
| H5       | R <sub>SENSE</sub> | K5       | R <sub>SENSE</sub> | M5       | R <sub>SENSE</sub> |
| H6       | R <sub>SENSE</sub> | K6       | R <sub>SENSE</sub> | M6       | R <sub>SENSE</sub> |
| H7       | R <sub>SENSE</sub> | K7       | SW2                | M7       | SW2                |
| H8       | R <sub>SENSE</sub> | K8       | SW2                | M8       | SW2                |
| H9       | R <sub>SENSE</sub> | K9       | SW2                | M9       | SW2                |
| H10      | R <sub>SENSE</sub> | K10      | V <sub>IN</sub>    | M10      | V <sub>IN</sub>    |
| H11      | R <sub>SENSE</sub> | K11      | V <sub>IN</sub>    | M11      | V <sub>IN</sub>    |
| H12      | R <sub>SENSE</sub> | K12      | V <sub>IN</sub>    | M12      | V <sub>IN</sub>    |

## RELATED PARTS

| PART NUMBER          | DESCRIPTION  | COMMENTS   |
|----------------------|--|--|
| LTC2900              | Quad Supply Monitor with Adjustable Reset Timer                                | Monitors Four Supplies; Adjustable Reset Timer   |
| LTC2923              | Power Supply Tracking Controller   | Tracks Both Up and Down; Power Supply Sequencing   |
| LTC3780              | 36V Buck-Boost Controller  | Synchronous Operation, Single Inductor   |
| LTC3785              | 10V Buck-Boost Controller  | Synchronous Operation, No R <sub>SENSE</sub> <sup>TM</sup> , 2.7V ≤ V <sub>IN</sub> ≤ 10V, 2.7V ≤ V <sub>OUT</sub> ≤ 10V |
| LT3825/LT3837        | Synchronous Isolated Flyback Controllers                                       | No Optocoupler Required; 3.3V, 12A Output; Simple Design   |
| LTM4600              | 10A DC/DC μModule  | Basic 10A DC/DC μModule  |
| LTM4601/<br>LTM4601A | 12A DC/DC μModule with PLL, Output Tracking/<br>Margining and Remote Sensing   | Synchronizable, PolyPhase Operation to 48A, LTM4601-1 Version has no Remote Sensing                                      |
| LTM4602              | 6A DC/DC μModule   | Pin Compatible with the LTM4600  |
| LTM4603              | 6A DC/DC μModule with PLL and Output Tracking/<br>Margining and Remote Sensing | Synchronizable, PolyPhase Operation, LTM4603-1 Version has no Remote Sensing, Pin Compatible with the LTM4601            |
| LTM4604              | 4A Low Voltage DC/DC μModule   | 2.375 ≤ V <sub>IN</sub> ≤ 5V, 0.8V ≤ V <sub>OUT</sub> ≤ 5V, 9mm × 15mm × 2.3mm Package                                   |

No R<sub>SENSE</sub> is a Trademark of Linear Technology Corporation.