

IEC Connector C15A, Rewireable, Straight



C15 A



155 °C

**Description**

- Connector:
Screwing cable terminal, Pin temperature 155 °C, Protection class I, Cable
- Note: Please order pvc strain relief separately, mating strain reliefs please find under accessories.

Approvals

- VDE Certificate Number: 40009113
- CSA File Number: 27324

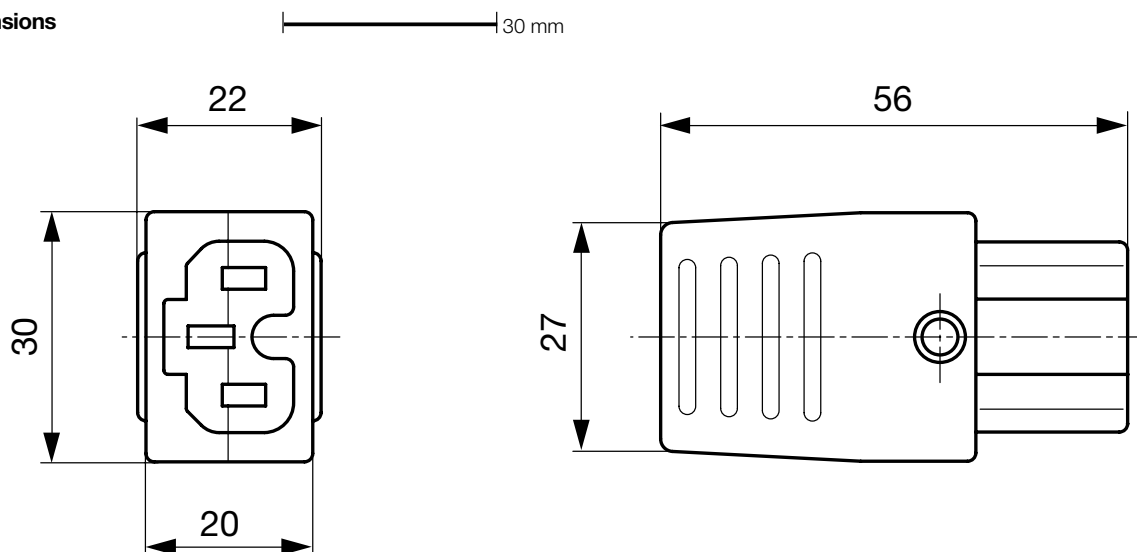
References**Weblinks**

pdf, html, [General Product Information](#), [Approvals](#), [RoHS](#), [CHINA-RoHS](#), [Mating Connectors](#), [e-shop](#), [SCHURTER-Stock-Check](#), [Distributor-Stock-Check](#), [Accessories](#)

Technical Data

Ratings IEC	10A / 250VAC; 50Hz
Ratings UL/CSA	15A / 250VAC; 60Hz
Dielectric Strength	> 4 kVAC between L-N > 2 kVAC between L/N-PE (1 min/50Hz)
Allowable Operation Temp.	-25 °C to 155 °C
Degree of Protection	from front side IP 20 acc. to IEC 60529
Protection Class	Suitable for appliances with protection class 1 acc. to IEC 61140
Terminal	Screw clamps
Material: Housing	black or grey

Connector	C15A acc. to IEC/EN 60320-2-2 UL 498, CSA C22.2 no. 42 (for hot conditions) pin-temperature 155 °C, 10A, Protection Class 1
-----------	--

Dimensions

Config. Code

0102 - H - A B C 0 - D - E J

The characters are placeholders for the correspondingly keys of selections from the key tables.

0102 - **H** - A B C 0 - D - E J = Type

Type	Configuration key
protection class 1	X

0102 - H - **A** B C 0 - D - E J = Terminals

Terminal L	Configuration key
screw terminal	A

0102 - H - A **B** C 0 - D - E J = Terminals

Terminal N	Configuration key
screw terminal	A

Symbols similar as in table A

0102 - H - A B **C** 0 - D - E J = Terminals

Terminal Ground	Configuration key
screw terminal	A

Symbols similar as in table A

0102 - H - A B C 0 - **D** - E J = Color

Color	Configuration key
jet black: RAL9005	A
light grey: RAL7035	C

0102 - H - A B C 0 - D - **E** J = Style

Style	Configuration key
for cord assembly	8

0102 - H - A B C 0 - D - E **J** = Condition

Condition	Configuration key
assembled	1
disassembled	2

Packaging unit 50 Pcs

Accessories

Description



HN 14.109
PVC Strain Relief



HN 14.41
PVC Strain Relief



HN 14.43
PVC Strain Relief

Mating Inlets/Plugs

Category / Description

[Appliance Inlet Overview complete](#)

IEC Appliance Inlet C16, Screw-on Mounting, Front Side, Quick-connect or Screw-on Terminal	0161
IEC Appliance Inlet C16, Screw-on Mounting, Front Side, Quick-connect or Screw-on Terminal	0161-Y
IEC Appliance Inlet C16, Screw-on Mounting, Front or Rear Side, Quick-connect or Screw-on Terminal	0163
IEC Appliance Inlet C16, Screw-on Mounting, Front Side, Screw-on Terminal	0164
IEC Appliance Inlet C16, Snap-in Mounting, Front Side, Quick-connect Terminal	0165

[Appliance Inlet further types to 0102](#)

...

[Distribution Unit Overview complete](#)

Distribution Unit for Snap-in Mounting with 1 IEC Appliance Inlet C14 and 1 Appliance Outlet F	0712
Distribution Unit with 1 IEC Appliance Inlet C14 or Power Cord, 4 IEC Appliance Outlets F and Extra Components	4740
Distribution Unit with 1 IEC Appliance Inlet C14 and 2 Appliance Outlets F, Shuttered	4741
Distribution Unit with 1 IEC Appliance Inlet C14 and 4 Appliance Outlets F	4747

[Distribution Unit further types to 0102](#)[Interconnection Cord Overview complete](#)

Interconnection Cord with IEC Plug E, Angled	0607
Interconnection Cord with IEC Plug E, Angled	0608
Interconnection Cord with IEC Plug E, Straight	0609
Interconnection Cord with IEC Plug G, Angled	607B
Interconnection Cord with IEC Plug G, Angled	608B

[Interconnection Cord further types to 0102](#)

...

[Plug Overview complete](#)

IEC Plug E, Cord Connector (Rewireable), Straight, max. cable Diameter 8.5 mm	4732
IEC Plug E, Cord Connector (Rewireable), Angled, max. Cable Diameter 10 mm	4733
IEC Plug E, Cord Connector (Rewireable), Straight, max. Cable Diameter 10 mm	4735
IEC Plug E, Cord Connector (Rewireable), Angled, max. Cable Diameter 10 mm	4736
IEC Plug E, Cord Connector (Rewireable), Straight	9009

[Plug further types to 0102](#)

...

[Power Entry Module Overview complete](#)

IEC Appliance Inlet C14 or C18 with Fuseholder 1- or 2-pole	1062
IEC Appliance Inlet C14 or C18 with Fuseholder 1- or 2-pole	1064
IEC Appliance Inlet C18 with Fuseholder 1-pole	1065
IEC Appliance Inlet C18 with Fuseholder 1- or 2-pole	1066
IEC Appliance Inlet C14 with Fuseholder 1- or 2-pole	1092

[Power Entry Module further types to 0102](#)

...

[Power Entry Module with line filter Overview complete](#)

IEC Appliance Inlet C14 with Filter	5110
IEC Appliance Inlet C14 with Filter, Circuit Breaker TA45	5145
IEC Appliance Inlet C14 with Filter, Fuseholder 1-pole	5200
IEC Appliance Inlet C14 with Filter, Fuseholder 1- or 2-pole	5220
IEC Appliance Inlet C14 with Filter, Fuseholder 2-pole	8843-8

[Power Entry Module with line filter further types to 0102](#)

...