



308 Constitution Drive
Menlo Park, CA 94025-1164
Phone: 800-227-4856
www.circuitprotection.com

PolySwitch® PTC Devices

Overcurrent Protection Device

Raychem Circuit Protection Products

PRODUCT: miniSMDC260F/12

DOCUMENT: SCD 25566
REV LETTER: G1
REV DATE: 15-Apr-11
PAGE NO.: 1 OF 1

Specification Status: Released

Maximum Electrical Rating

Voltage: 12V_{DC}

Short Circuit Current: 100A

Notes:

1. All terminations are tin plated.
2. Drawing not to scale

Marking:

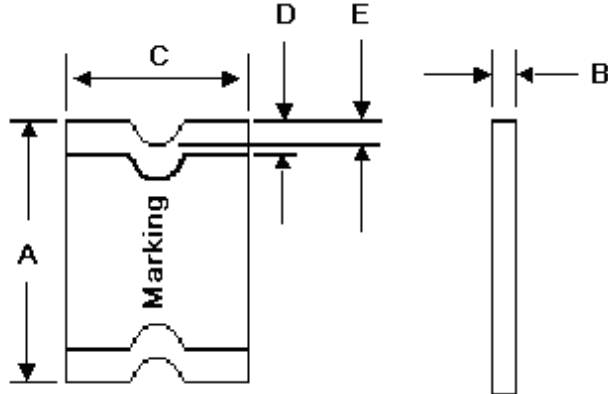
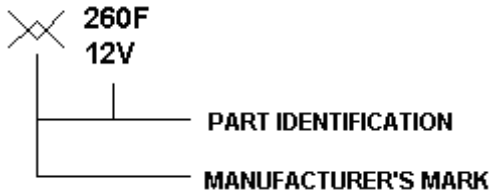


TABLE I. DIMENSIONS:

mm:	A		B		C		D		E
	MIN	MAX	MIN	MAX	MIN	MAX	MIN	MAX	MIN
in:	(0.172)	(0.190)	(0.042)	(0.060)	(0.121)	(0.134)	(0.010)	(0.040)	(0.008)

TABLE II. PERFORMANCE RATINGS:

CURRENT RATINGS**						TIME TO TRIP**	RESISTANCE VALUES		TRIPPED-STATE POWER DISSIPATION**
AMPERES AT 0°C	AMPERES AT 20°C	AMPERES AT 60°C	AMPERES AT 20°C	AMPERES AT 60°C	AMPERES AT 20°C	SECONDS AT 20°C, 8A MAX	OHMS AT 20°C		WATTS AT 20°C, 12V MAX
HOLD	TRIP	HOLD	TRIP	HOLD	TRIP		MIN	MAX*	
3.0	6.2	2.6	5.0	2.0	4.0	5	0.015	0.047	1.0

* Maximum resistance is measured 1 hour after reflow

** Values Specified were determined using PCB's with 0.070"X1.5 ounce copper traces.

Agency Recognitions: UL, CSA and TÜV

Reference Documents: PS300

Precedence: This specification takes precedence over documents referenced herein.

Effectivity: Reference documents shall be the issue in effect on the date of invitation for bid.

CAUTION: Operation beyond the rated voltage or current may result in rupture, electrical arcing or flame.

Materials Information

ROHS Compliant

Directive 2002/95/EC
Compliant

ELV Compliant

Directive 2000/53/EC
Compliant

Pb-Free



Halogen Free*



* Halogen Free refers to: Br≤900ppm, Cl≤900ppm, Br+Cl≤1500ppm

© 2005, 2011 Tyco Electronics Corporation, a TE Connectivity Ltd. Company. All Rights Reserved.