

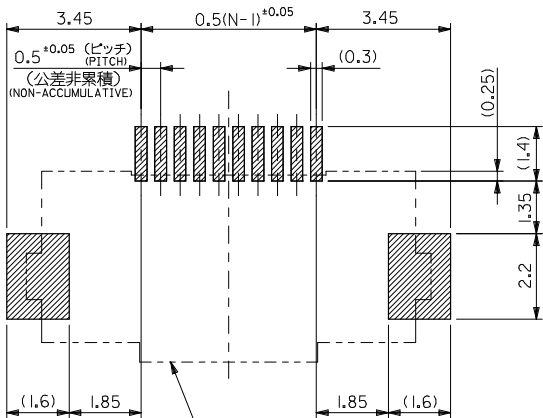
注記 NOTES

1. 使用材料 MATERIAL
 ハウジング HOUSING : 46ナイロン, UL 94V-0
 アクチュエータ ACTUATOR : PPS, UL 94V-0
 ターミナル TERMINAL : リン青銅 (t=0.2), ニッケル下地鍍ピスマスメッキ PHOS-BRO,TIN-BISMUTH OVER NICKEL PLATED
 金具 FITTING NAIL : リン青銅 (t=0.2), ニッケル下地鍍メッキ PHOS-BRO,TIN OVER NICKEL PLATED
- △ パターンはくり止め用金具
 FITTING NAIL FOR PREVENTION OF PEELING OF P.C.B. PATTERN.
- △ ソルダーテール半田付け面のスレ量、及び金具半田付け面のスレ量は、基準面 Y に対し上方向 0.05 MAX.、下方向 0.2 MAX. とする。
 MISALIGNMENT OF SOLDER TAILS AND FITTING NAILS FROM Y UPPER DIRECTION: 0.05 MAX., LOWER DIRECTION: 0.2 MAX.
- △ 偶数極に適用。
 APPLY FOR EVEN CIRCUIT.
5. 本製品は52892-***17の鉛フリー品である。
 THIS PRODUCT IS LEAD FREE OF 52892-***17

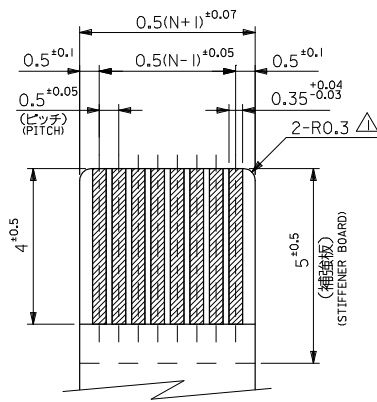
19.6	15.5	14.57	14.5	52892-3095	52892-3019	30
18.6	14.5	13.57	13.5	-2895	-2819	28
17.6	13.5	12.57	12.5	-2695	-2619	26
16.6	12.5	11.57	11.5	-2495	-2419	24
15.6	11.5	10.57	10.5	-2295	-2219	22
14.6	10.5	9.57	9.5	-2095	-2019	20
14.1	10.0	9.07	9.0	-1995	-1919	19
13.6	9.5	8.57	8.5	-1895	-1819	18
13.1	9.0	8.07	8.0	-1795	-1719	17
12.6	8.5	7.57	7.5	-1695	-1619	16
12.1	8.0	7.07	7.0	-1595	-1519	15
11.6	7.5	6.57	6.5	-1495	-1419	14
11.1	7.0	6.07	6.0	-1395	-1319	13
10.6	6.5	5.57	5.5	-1295	-1219	12
10.1	6.0	5.07	5.0	-1195	-1119	11
9.6	5.5	4.57	4.5	-1095	-1019	10
8.6	4.5	3.57	3.5	52892-0895	52892-0819	8

REVISED EC NO: J2008-4308 DRAWN BY: M.NABEI CHECKED BY: M.SASAO APPR: NIKITA 2008/06/27 2008/06/30 2008/06/30	GENERAL TOLERANCES (UNLESS SPECIFIED)		DIMENSION STYLE MM ONLY		SCALE ---	DESIGN UNITS METRIC	THIRD ANGLE PROJECTION
	10 UNDER	±0.2	DRAWN BY M.NABEI	DATE 2004/01/09	TITLE 0.5 FPC CONN ASSY ZIF SMT RA(BTM CONT) E/O -LEAD FREE-		
	10 OVER 30 UNDER	±0.25	CHECKED BY M.SASAO	DATE 2004/01/09	MOLEX INCORPORATED		
	30 OVER	±0.3	APPROVED BY M.SASAO	DATE 2004/01/09	MATERIAL NO. SEE TABLE	DOCUMENT NO. SD-52892-040	SHEET NO. 1 OF 3
ANGULAR ±3°		DRAFT WHERE APPLICABLE MUST REMAIN WITHIN DIMENSIONS		THIS DRAWING CONTAINS INFORMATION THAT IS PROPRIETARY TO MOLEX INCORPORATED AND SHOULD NOT BE USED WITHOUT WRITTEN PERMISSION			

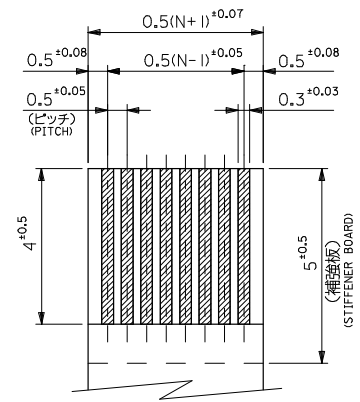
10 9 8 7 6 5 4 3 2 1



参考基板レイアウト
RECOMMENDED P.C.BOARD
PATTERN DIMENSION (REF.)
(マウント面)
(MOUNTING SIDE)



適合FPC推奨寸法
APPLICABLE FPC
RECOMMENDED DIMENSION
(仕上がり厚さ: 0.3 ± 0.03)
(THICKNESS: 0.3 ± 0.03)



適合FFC推奨寸法
APPLICABLE FFC
RECOMMENDED DIMENSION
(仕上がり厚さ: 0.3 ± 0.03)
(THICKNESS: 0.3 ± 0.03)

2. FPCについて:
打抜き方向は導体側から補強板側を推奨致します。
補強フィルム材質はポリイミドを推奨致します。
接着剤は熱硬化接着剤を推奨致します。

ABOUT FPC:

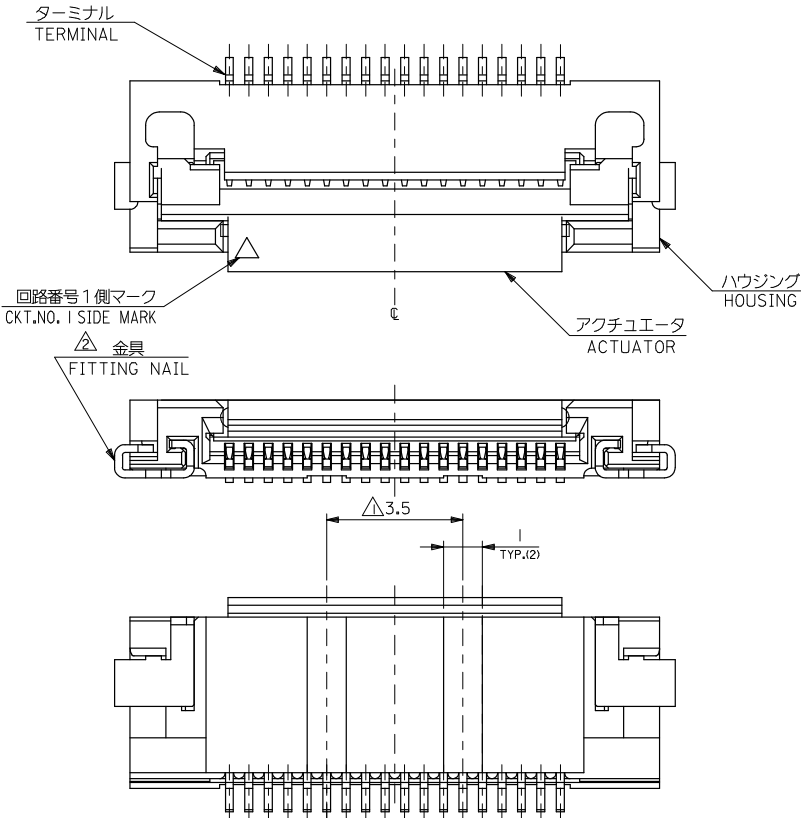
RECOMMENDED PUNCHER DIRECTION : FROM CONDUCTOR SIDE TO STIFFENER BOARD SIDE.
RECOMMENDED MATERIAL:
STIFFENER FILM : POLYIMIDE
BONDING AGENT : THERMOSETTING BONDING AGENT

注記 NOTES

△ R0.3は、FPCの導体部にかからないこと。
R0.3 MUST NOT BE OVERLAPPED TO PATTERN OF FPC.

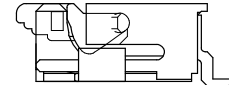
REVISED EC NO: J2008-4308 DRAWN:MABEL 2008/06/27 CHKD:THARYAMA 2008/06/30 APP:R.NIKITA 2008/06/30	GENERAL TOLERANCES (UNLESS SPECIFIED)		DIMENSION STYLE MM ONLY		SCALE ---	52892-***19	MODEL NO.
	10 UNDER	± 0.2	DRAWN BY M. NABEL	DATE 2004/01/09	TITLE	0.5 FPC CONN ASSY ZIF SMT RA(BTM CONT) E/O -LEAD FREE-	
	10 OVER 30 UNDER	± 0.25	CHECKED BY M. SASAO	DATE 2004/01/09	MOLEX INCORPORATED		
	30 OVER	± 0.3	APPROVED BY M. SASAO	DATE 2004/01/09	MATERIAL NO. SEE SHEET 1	DOCUMENT NO. SD-52892-040	SHEET NO. 2 OF 3
ANGULAR ± 3 °		DRAFT WHERE APPLICABLE MUST REMAIN WITHIN DIMENSIONS		THIS DRAWING CONTAINS INFORMATION THAT IS PROPRIETARY TO MOLEX INCORPORATED AND SHOULD NOT BE USED WITHOUT WRITTEN PERMISSION			

10 9 8 7 6 5 4 3 2 1



金型変更に伴なう形状変更品形状図
 APPLY CHANGED FORM AT CHANGED DIE

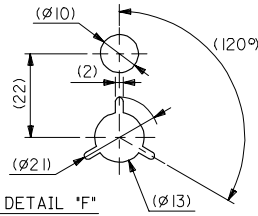
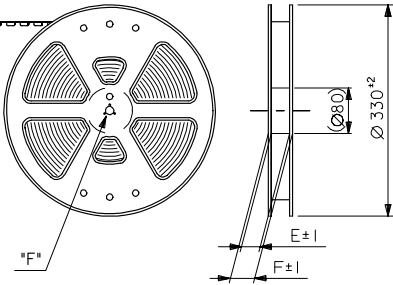
注記 NOTES
 △ 18種以上は2ヶ所、10~16種はハウジングセンター上に1ヶ所とする。
 18 CKTS & MORE THAN 18 CKTS PLACED 2 POINT.
 10~16 CKTS PLACED 1 POINT ON HOUSING CENTER.



REVISED EC NO: J2008-4308 DRAWN: MABEL 2008/06/27 CHECKED: THARYAMA 2008/06/30 APPR: NIKITA 2008/06/30 REV DESCRIPTION	GENERAL TOLERANCES (UNLESS SPECIFIED)		DIMENSION STYLE MM ONLY		SCALE ---	52892-***19	MODEL NO.
	10 UNDER	±0.2	DRAWN BY M. NABEL	DATE 2004/01/09	TITLE	0.5 FPC CONN ASSY ZIF SMT RA(BTM CONT) E/O -LEAD FREE-	
	10 OVER 30 UNDER	±0.25	CHECKED BY M. SASAO	DATE 2004/01/09	DESIGN UNITS METRIC	THIRD ANGLE PROJECTION	
	30 OVER	±0.3	APPROVED BY M. SASAO	DATE 2004/01/09	MOLEX INCORPORATED		
ANGULAR ±3 °		DRAFT WHERE APPLICABLE MUST REMAIN WITHIN DIMENSIONS		MATERIAL NO. SEE SHEET 1	DOCUMENT NO. SD-52892-040	SHEET NO. 3 OF 3	
				THIS DRAWING CONTAINS INFORMATION THAT IS PROPRIETARY TO MOLEX INCORPORATED AND SHOULD NOT BE USED WITHOUT WRITTEN PERMISSION			

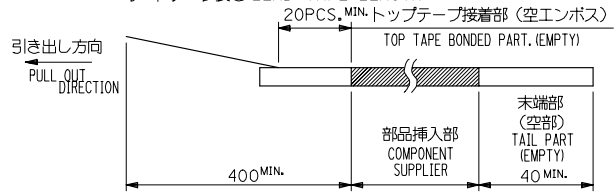
10 9 8 7 6 5 4 3 2 1

引き出し方向
PULL OUT
DIRECTION

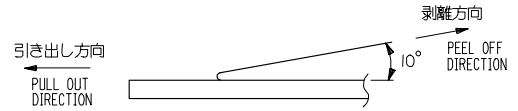


注記 NOTES

- 製品詳細寸法については図面 SD-52892-040 を参照下さい。
RE DETAILED DIMENSION, SEE SD-52892-040
- 梱包数量：1000個/リール
NUMBER OF CONNECTORS : 1000PCS/REEL
- リードテープ長さ LEAD TAPE LENGTH



- トップテープの剥離強度： 0.1N ~ 1.3N(10 ~ 130gf)
(剥離方向は下図参照)
尚、本規格値は出荷時に適用。(但し、輸送時に剥離が発生しないこと。)
PEELING OFF FORCE OF TOP TAPE : 0.1N ~ 1.3N(10 ~ 130gf)
(PEELING DIRECTION AS SHOWN IN FOLLOWING FIG.)
THIS REQUIREMENT SHOULD BE APPLIED AT SHIPMENT.
PEEL OFF SHOULD NOT BE ALLOWED , DURING TRANSPORTATION.



- 材料(MATERIAL)
キャリアテープ(CARRIER TAPE) : ポリプロピレン(POLYPROPYLENE)
トップテープ(TOPTAPE) : PET , PE , PEF
リール(REEL) : ポリスチレン (PS) <リサイクル材を含む>
POLYSTYRENE (PS) <RECYCLE MATERIAL CONTAINED>
- 本製品は52892-**-**90の鉛フリー品である。
THIS PRODUCT IS LEAD FREE OF 52892-**-**90

REVISED IEC NO. J2005-1026 DRWN: ISASANDOR CHKDK: TOJO APPR: NIKITA 2004/10/06 2004/10/07 2004/10/12	GENERAL TOLERANCES (UNLESS SPECIFIED)		DIMENSION STYLE MM ONLY		SCALE ---	DESIGN UNITS METRIC	THIRD ANGLE PROJECTION
	10 UNDER	±0.2	DRAWN BY M. NABE I	DATE 2004/01/09	TITLE EMBOSSED TAPE PACKAGE FOR 0.5 FPC CONN. -LEAD FREE- MOLEX INCORPORATED		
	10 OVER 30 UNDER	±0.25	CHECKED BY M. SASAO	DATE 2004/01/09			
	30 OVER	±0.3	APPROVED BY M. SASAO	DATE 2004/01/09			
ANGULAR	±3	MATERIAL NO. 52892-**-**95		DOCUMENT NO. SD-52892-041	SHEET NO. 1 OF 2		
DRAFT WHERE APPLICABLE MUST REMAIN WITHIN DIMENSIONS		THIS DRAWING CONTAINS INFORMATION THAT IS PROPRIETARY TO MOLEX INCORPORATED AND SHOULD NOT BE USED WITHOUT WRITTEN PERMISSION					

tb_frame_A3_J_ME_S
Rev. D 2004/04/02

9

8

7

6

5

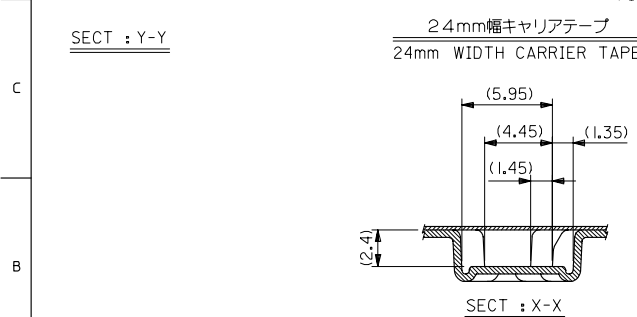
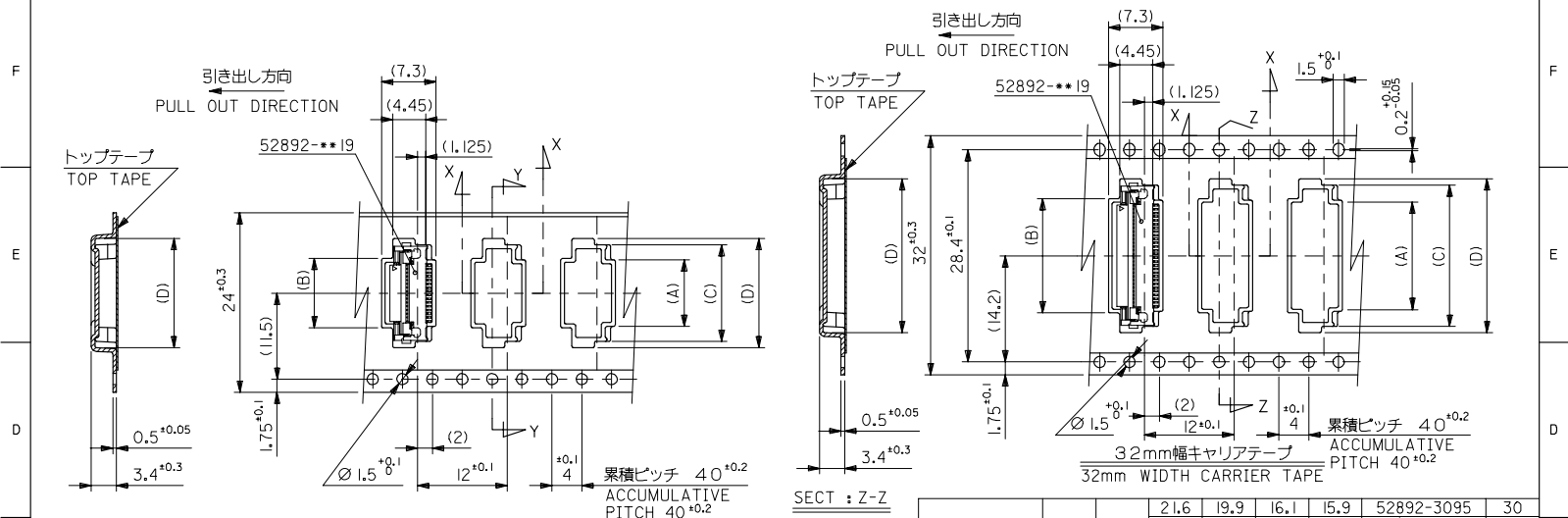
4

3

2

EN-02JA1021

10 9 8 7 6 5 4 3 2 1



キャリアテープ幅 CARRIER TAPE WIDTH	F	E	(D)	(C)	(B)	(A)	MATERIAL NO.	極致 CIRCUIT
32	21.6	19.9	16.1	15.9	52892-3095	30		
	20.6	18.9	15.1	14.9	-2895	28		
	19.6	17.9	14.1	13.9	-2695	26		
	18.6	16.9	13.1	12.9	-2495	24		
	17.6	15.9	12.1	11.9	-2295	22		
	16.6	14.9	11.1	10.9	-2095	20		
	16.1	14.4	10.6	10.4	-1995	19		
	15.6	13.9	10.1	9.9	-1895	18		
	15.1	13.4	9.6	9.4	-1795	17		
	14.6	12.9	9.1	8.9	-1695	16		
24	14.1	12.4	8.6	8.4	-1595	15		
	13.6	11.9	8.1	7.9	-1495	14		
	13.1	11.4	7.6	7.4	-1395	13		
	12.6	10.9	7.1	6.9	-1295	12		
	12.1	10.4	6.6	6.4	-1195	11		
	11.6	9.9	6.1	5.9	-1095	10		
	10.6	8.9	5.1	4.9	52892-0895	8		

REVISED IEC NO. J2005-1026 DRWN: JSASANDR CHKDK: TOJO APPR: NIKITA 2004/10/06 2004/10/07 2004/10/12	GENERAL TOLERANCES (UNLESS SPECIFIED)	DIMENSION STYLE MM ONLY	SCALE ---	DESIGN UNITS METRIC	<input checked="" type="checkbox"/> THIRD ANGLE <input type="checkbox"/> PROJECTION	
	10 UNDER ±0.2 10 OVER 30 UNDER ±0.25 30 OVER ±0.3 ANGULAR ±3°	DRAWN BY M. NABEI DATE 2004/01/09	CHECKED BY M. SASAO DATE 2004/01/09	APPROVED BY M. SASAO DATE 2004/01/09	TITLE EMBOSSED TAPE PACKAGE FOR 0.5 FPC CONN. -LEAD FREE-	
	DRAFT WHERE APPLICABLE MUST REMAIN WITHIN DIMENSIONS	MATERIAL NO. 52892-***95	DOCUMENT NO. SD-52892-041	MOLEX INCORPORATED		
	SIZE A3	THIS DRAWING CONTAINS INFORMATION THAT IS PROPRIETARY TO MOLEX INCORPORATED AND SHOULD NOT BE USED WITHOUT WRITTEN PERMISSION				

tb_frame_A3_J_ME_S Rev. D 2004/04/02 9 8 7 6 5 4 3 2 1 EN-02JAI(021)