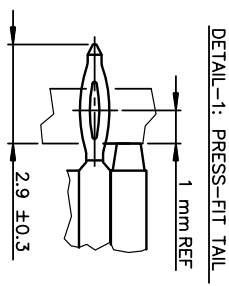
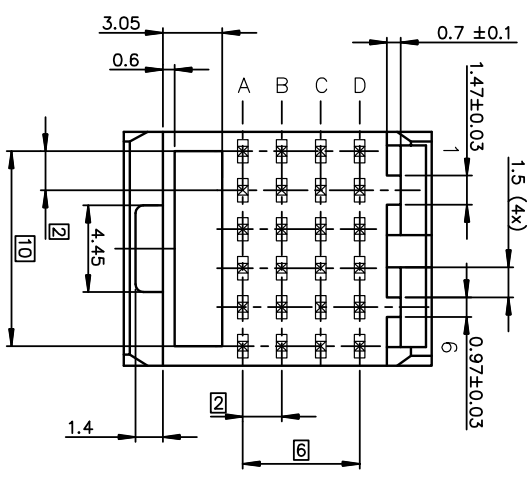


NOTE-1: NORMATIVE REF = IEC-61076-4-104
 NOTE-2: ONE CENTER PEG FOR HOLD DOWN FORCE
 NOTE-3: CODING RECESS FOR 8MM EXTENDED KEYS
 NOTE-4: PRODUCT MARKING = PRODUCT NUMBER + BATCH CODE + FCI
 FOR 1 MODULE SIZE/END OF PART NUMBER ONLY
 NOTE-6: CENTRAL WALL WITH END REAR SUPPORT
 NOTE-7: PACKAGING IN TRAY + COVER
 IF SUFFIX "P" IS ADDED IN P/N PACKAGING IS IN TRAYS
 BUT CONNECTOR MARKING IS WITHOUT "P"
 EXAMPLE: HM1XXXXXXXXXHP, MARKED HM1XXXXXXXXXHP

GENERAL CHARACTERISTICS AND ROHS INFORMATIONS:
 SEE PRODUCT SPECIFICATION GS-12-445



rev	asn no	dr	date
G	LS06-0097	UGO	2006/07/12
H	LS07-0184	MLE	2007/07/25
J	0609-0398	CenH	2009/11/18
K	0610-0231	CenH	2010/06/18
L	06-010291	Qndf	2012/02/14

www.fciconnect.com		surface		tolerance std		projection		mm	
Dr CHAMPION 1994/04/05		ISO 1302		ISO 406 ISO 1101		A3		Scale 4:1	
Eng De-Feng Qin 2012/02/14		ANGULAR		UNLESS OTHERWISE SPECIFIED		ECN		European Views	
Chr Flame Zeng 2012/02/14		LINEAR		0.X		A3			
Aprr PM Zheng 2012/02/14		0.XX ±2		0.xxx		Spec ref -			
FCI METRAL RA HEADER WB		Product family		METRAL		Spec ref -			
CONVERGED 4x6 CTS-PF-PUSH PEG									
catalog no									
3									
4									
C-8626-0150									
CUSTOMER sheet 1 of 2									

REV F - 2006-04-17

SEE NOTE-4

31.86 REF

SEE NOTE-3

SEE NOTE-1

SEE NOTE-6

Ø 0.55

1.5 (4x)

1 mm REF

2.9 ±0.3

Scale 4:1

European Views

sheet 1 of 2

Rev. L

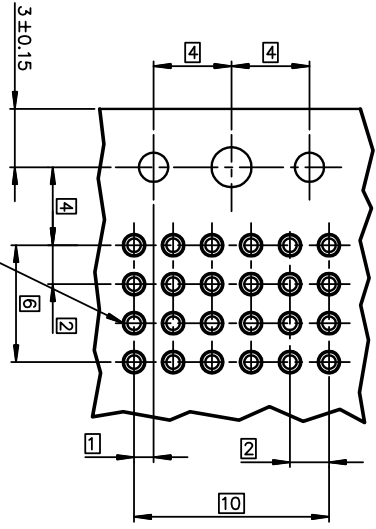
TIN LEAD PART NUMBER

DIM-P ±0.10				P/N AND PERFORMANCE LEVEL		SP N°
ROW-A	ROW-B	ROW-C	ROW-D			
5.00	5.00	5.00	5.00	HM1L41ADP000H6P		
5.75	5.75	5.75	5.75	HM1L41DP000H6P		
6.50	6.50	6.50	6.50	HM1L41DP000H6P		
6.50	5.00	5.00	5.00	HM1L41BDP000H6P		
6.50	5.75	5.75	6.50	HM1L41CDP000H6P		110
5.00	5.00	6.50	5.00	HM1L41ZDP110H6P		430
5.00	5.75	6.50	5.00	HM1L41ZDP430H6P		448
5.00	5.75	5.00	5.00	HM1L41ZDP448H6P		
5.75	5.00	5.00	5.00	HM1L41ZDP009H6P		009
5.75	6.50	5.75	5.00	HM1L41ZDP424H6P		424
6.50	5.75	6.50	5.75	HM1L41ZDP037H6P		037
6.50	5.75	5.00	5.75	HM1L41ZDP102H6P		102
6.50	6.50	6.50	5.75	HM1L41ZDP135H6P		135
6.50	8.00	6.50	5.75	HM1L41ZDP329H6P		329
6.50	5.75	5.75	5.75	HM1L41ZDP369H6P		369

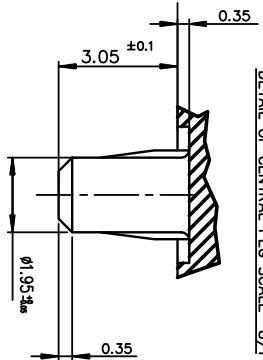
LEAD FREE PART NUMBER

DIM-P ±0.10				P/N AND PERFORMANCE LEVEL		SP N°
ROW-A	ROW-B	ROW-C	ROW-D			
5.00	5.00	5.00	5.00	HM1L41ADP000H6PLF		
5.75	5.75	5.75	5.75	HM1L41DP000H6PLF		
6.50	6.50	6.50	6.50	HM1L41DP000H6PLF		
6.50	5.00	5.00	5.00	HM1L41BDP000H6PLF		
6.50	5.75	5.75	6.50	HM1L41CDP000H6PLF		110
5.00	5.00	6.50	5.00	HM1L41ZDP110H6PLF		430
5.00	5.75	6.50	5.00	HM1L41ZDP430H6PLF		448
5.00	5.75	5.00	5.00	HM1L41ZDP448H6PLF		
8.00	8.00	8.00	8.00	HM1L41NDP000H6PLF		
5.00	5.00	5.00	5.00	HM1L41ADP001H6PLF		
5.75	5.00	5.00	5.00	HM1L41ZDP009H6PLF		009
5.75	6.50	5.75	5.00	HM1L41ZDP424H6PLF		424
6.50	5.75	6.50	5.75	HM1L41ZDP037H6PLF		037
6.50	5.75	5.00	5.75	HM1L41ZDP102H6PLF		102
6.50	6.50	6.50	5.75	HM1L41ZDP135H6PLF		135
6.50	8.00	6.50	5.75	HM1L41ZDP329H6PLF		329
6.50	5.75	5.75	5.75	HM1L41ZDP369H6PLF		369

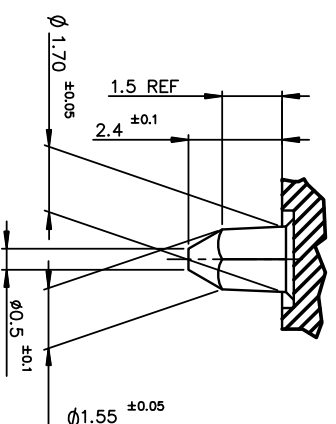
RECOMMENDED PCB LAYOUT



DETAIL OF CENTRAL PEG SCALE 8/1



DETAIL OF LOCATING PEGS (2x) SCALE 8/1



Hole according to product spec GS-12-445 (for press-fit), GS-12-446 (for STB)

Row	CONTACT CODE MOD					
	1	2	3	4	5	6
D	-	-	-	-	-	-
C	-	-	-	-	-	-
B	-	-	-	-	-	-
A	-	-	-	-	-	-

HM1L41ADP001H6PLF
SELECTIVE CONTACT LOADING
NOTE: *-POSITION LOADED

OTHERS INFORMATIONS, SEE DRW 8626-0150-1

European Views

www.fciconnect.com		surface ISO 1302		tolerance std ISO 406 ISO 1101		projection		mm	
1994/04/05		ANGULAR		UNLESS OTHERWISE SPECIFIED		A3		Scale 4/1	
Dr	CHAMPION	Eng	De-Feng Qin	Chr	Flame Zeng	Appr	PM Zheng	Product family	
2012/02/14		2012/02/14		2012/02/14		2012/02/14		METRAL Spec ref -	
METRAL RA HEADER WB		CONVERGED 4x6 CTS-PF-PUSH PEG		METRAL		CUSTOMER		sheet 2 of 2	
C-8626-0150		L		Rev.		L			