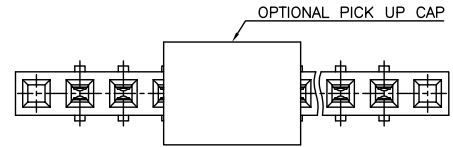


PRODUCT NUMBER
91614-YXXZLF

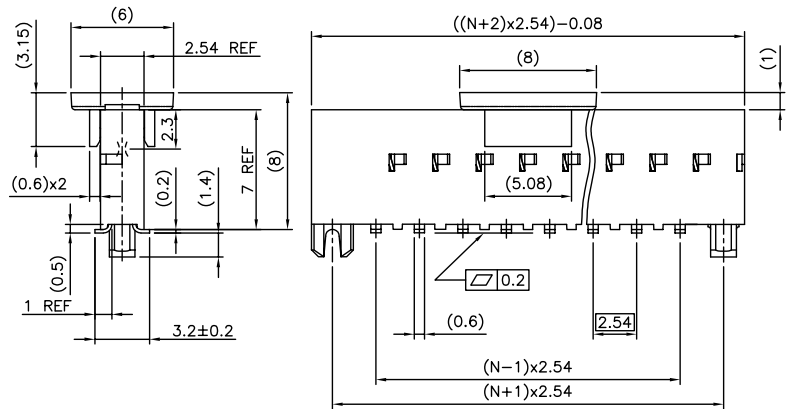
- WHEN NEEDED, LF MEANS RoHS COMPATIBLE PRODUCT, NOTE 7. OMIT IS NOT NEEDED.
- A: TAPE & REEL PACKAGING, PRODUCT AND CAP GREY, TA-856.
- G: TAPE & REEL PACKAGING, PRODUCT AND CAP BLACK, TA-856.
- AV: TAPE & REEL PACKAGING FOR VALEO, PRODUCT AND CAP GREY TA-856.
- TV: TUBE WITHOUT CAP FOR VALEO, GREY COLOR.
- : OMIT LETTER MEANS STD PACKAGING TUBE, NOTE 3.
- NUMBER OF POSITIONS: 03 UP TO 25, OVER 25 POS ON REQUEST

- PLATING CODE
- 3= 0.76µm GOLD ON CONTACT AREA.
3.81µm TIN-LEAD ON TAIL.
 - 4= 5µm TIN-LEAD ON CONTACT AREA.
3.81µm TIN-LEAD ON TAIL.
- WHEN SUFFIX "LF" IS REQUIRED, 2µm MIN MATTE TIN OVER 1.27 MIN Ni IS SUPPLIED INSTEAD OF SnPb.



NOTES:

- 1 - HOUSING & PICK UP CAP MATERIAL: HIGH TEMPERATURE THERMOPLASTIC GLASS FILLED FLAME RETARDANT PER UL 94 COLOR: GREY or BLACK
- 2 - TERMINAL MATERIAL: PHOSPHOR BRONZE.
- 3 - 91614-YXX(LF) & 91614-YXXG(LF) ARE PACKED IN TUBE.
- 4 - TO DETERMINE DIMENSIONS:
N = NUMBER OF POSITIONS
EXAMPLE: 8 POS: ((N+2)x2.54)-0.08=25.32 mm.
- 5 - RECOMMENDED IR PROFILE PER TA842.
- 6 - Ø2.65 MINI FOR PICK & PLACE ASSEMBLY(=0 INSERTION FORCE).
- 7 - RoHS COMPATIBLE PRODUCT SPECIFICATIONS
 - a - PLATING:
 - "LF" MEANS THE PRODUCT IS LEAD-FREE, 2µm MINIMUM MATTE TIN OVER 1.27µm MINIMUM NICKEL UNDERPLATE.
 - b - MANUFACTURING PROCESS COMPATIBILITY
 - THE HOUSING WILL WITHSTAND EXPOSURE TO 260°C PEAK TEMPERATURE FOR 30 SECONDS MAX IN A CONVECTION, INFRA-RED OR VAPOR PHASE OR REFLOW OVEN.
 - c - LABELING:
 - MEETS PACKAGING SPECS AS PER GS-14-920
 - d - LEGAL STATEMENT: SEE GS-22-008

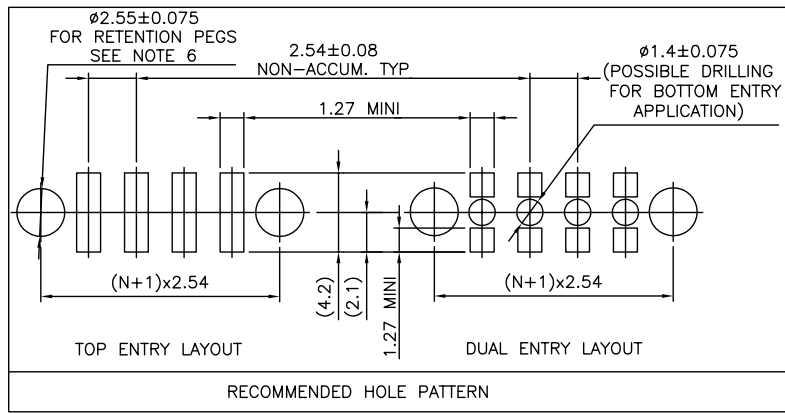


mat'l. code		surface		tolerance		projection		product family	
SEE NOTES		ISO 1302		ISO 406 ISO 1101		ISO 1101		DUBOX	
ltr	ecm no	dr	date	tolerances unless otherwise specified		mm		title	
X	F07-0245	PNZ	07.08.14	angles		±0.3		BtB RECEPT.	
Y	F08-0102	PNZ	08.01.18	linear		mm		VERT SR SMT	
AA	F11-0338	JCO	11.11.05	±z		scale 1:1		dwg no	
		dr	D LEGRAND	02.01.31		FCI		sheet 1 of 2	
U	F06-0204	DLE	06.06.23	engr		P NIZZI		size	
V	F07-0165	DLE	07.03.30	chr		DLE		A3	
W	F07-0234	LMU	07.07.10	appd		PNZ		type	
sheet	revision	AA	B					CUSTOMER Drawing	
index	sheet	1	2						

PDM: Rev:AA

STATUS:Released

Printed: Dec 13, 2011



mat'l. code		surface	tolerance	projection	product family
SEE NOTES		ISO 1302	ISO 406 ISO 1101		DUBOX
ltr	ecm no	dr	date	title	
A	F04-0347	DLE	04.11.10	BtB RECEPT.	
B	F06-0204	DLE	06.06.23	VERT SR SMT	
		angles	linear	mm	dwg no
		$\pm z$	± 0.3	scale 1:1	91614
		dr	D LEGRAND	04.11.10	sheet 2 of -
		enrg	P NIZZI	04.11.10	size
		chr	D LEGRAND	04.11.10	A3
		appd	P NZ	04.11.10	type
					CUSTOMER Drawing
sheet	revision				
index	sheet				

PDM: Rev:AA STATUS:Released Printed: Dec 13, 2011