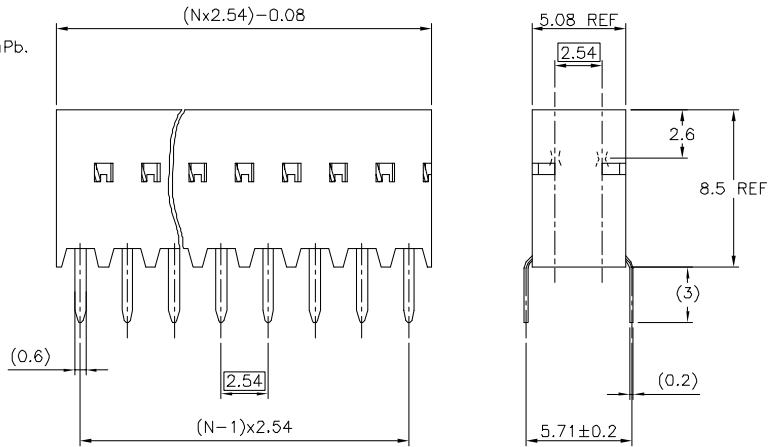
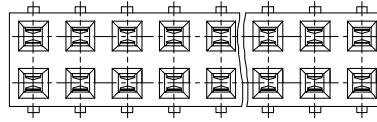


PRODUCT NUMBER
89892-YXXLF

WHEN NEEDED, SUFFIX LETTER "LF"
INDICATES THE PRODUCT IS RoHS
COMPATIBLE, SEE NOTE 5.
NUMBER OF POSITIONS PER ROW: 02 to 50
PLATING CODE

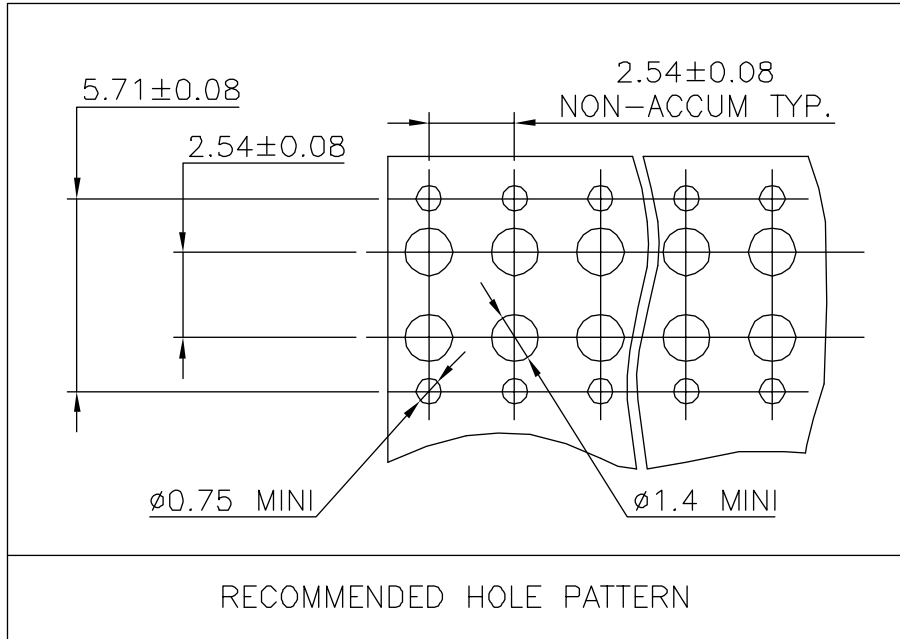
3= 0.76µm GOLD ON CONTACT AREA
3.81µm TIN-LEAD ON TAIL
4= 5µm TIN-LEAD ON CONTACT AREA
3.81µm TIN-LEAD ON TAIL
WHEN SUFFIX "LF" IS REQUIRED, 2µm MIN MATTE
TIN OVER 1.27 MIN Ni IS SUPPLIED INSTEAD OF SnPb.



NOTES:

- 1 - HOUSING MAT'L: THERMOPLASTIC GLASS FILLED
FLAME RETARDANT PER UL 94 V-0 COLOR: BLUE.
- 2 - TERMINAL MATERIAL : PHOSPHOR BRONZE.
- 3 - 02 UP TO 04 POSITIONS PRODUCT PACKED IN PLASTIC BOX.
05 UP TO 50 POSITIONS PRODUCT PACKED IN TUBE.
- 4 - TO DETERMINE DIMENSIONS :
N = NUMBER OF POSITIONS PER ROW
EXAMPLE: 8 POS: (N x 2.54) - 0.08 = 20.24 mm
- 5 - RoHS COMPATIBLE PRODUCT SPECIFICATIONS
 - a - PLATING:
 - "LF" MEANS THE PRODUCT IS LEAD-FREE,
2µm MINIMUM MATTE TIN OVER 1.27µm
MINIMUM NICKEL UNDERPLATE.
 - b - MANUFACTURING PROCESS COMPATIBILITY
 - THE HOUSING WILL WITHSTAND EXPOSURE TO
260°C ± 5°C SOLDER BATH TEMPERATURE FOR
5 SECONDS IN A WAVE SOLDER APPLICATION
WITH A 1.6mm MIN THICK CIRCUIT BOARD.
 - c - LABELING:
 - MEETS PACKAGING SPECS AS PER GS-14-920
 - d - LEGAL STATEMENT: SEE GS-22-008

mat'l. code		surface		tolerance		projection		product family	
Ltr	ecm no	dr	date	ISO 1382	ISO 486	ISO 1181	ISO 1181	DUBOX	
C	F80638	PNZ	98.10.14	tolerances unless otherwise specified		±0.5		title	
D	F10116	GCO	01.01.23	angles	linear		mm		
E	F04-0347	DLE	04.09.28	±2°			scale 5:1		
F	F06.0204	DLE	06.06.21	dr	D LEGRAND	04.09.28	dwg no		
				engr	P NIZZI	04.09.28	sheet 1 of 2		
				chr	D LEGRAND	04.09.28	size		
				appd	P NZ	04.09.28	A3		
sheet index		revision sheet		F	B	type		Drawing	
		1	2			CUSTOMER			



Copyright FCI

mat'l. code SEE SHEET 1		surface ISO 1302 ✓		tolerance ISO 406 ISO 1101		projection mm		product family DUBOX	
ltr	ecn no	dr	date	tolerances unless otherwise specified		mm		title	
A	F04-0347	DLE	04.09.28	angles ±2'	linear	±0.3		BtB RECEPT. VERT DR TMT	
B	F06-0204	DLE	06.06.21			scale 5:1			
				dr	D LEGRAND	04.09.28		dwg no sheet 2 of 2 size	
				enr	P NIZZI	04.09.28		89892 A4	
				chr	D LE	04.09.28		type CUSTOMER Drawing	
				appd	P NZ	04.09.28			
sheet index	revision sheet								