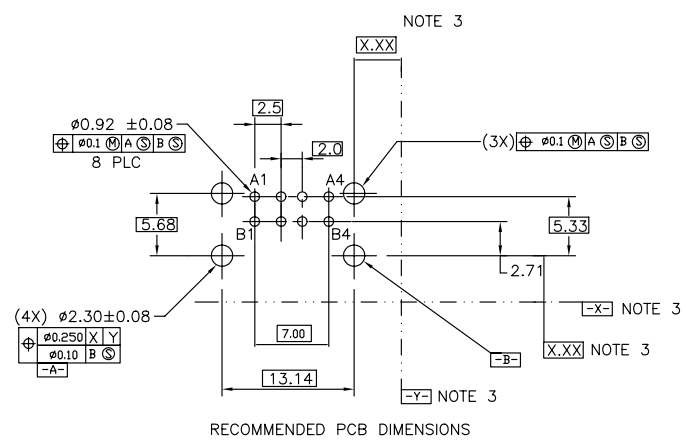
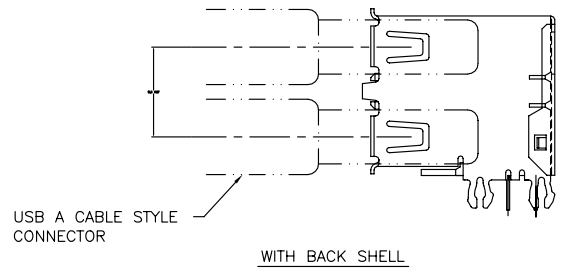
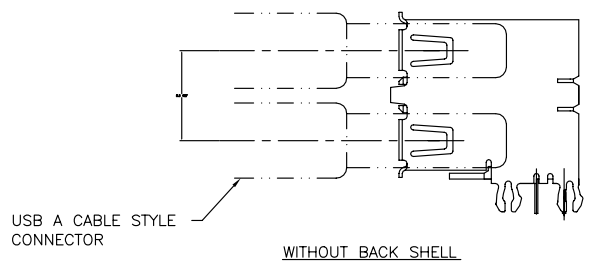


All rights strictly reserved. Reproduction or issue to third parties in any form
 whatever is not permitted without written authority from the proprietor.
 Property of ©FCI Copyright FCI.

Tous droits strictement réservés. Reproduction ou communication à des tiers interdite
 sous quelque forme que ce soit sans autorisation écrite du propriétaire.
 Propriété de ©FCI. Droits de reproduction FCI.



1 | 2 | 3 | 4



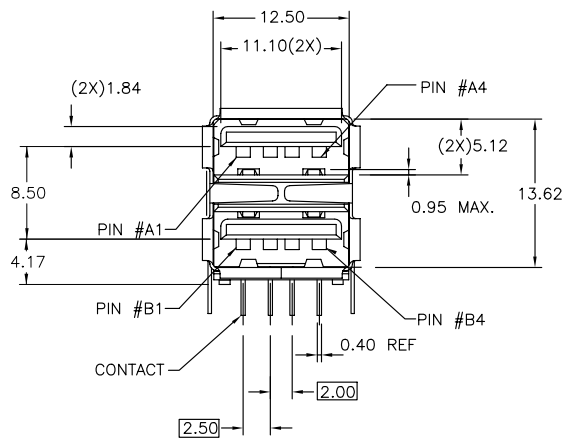
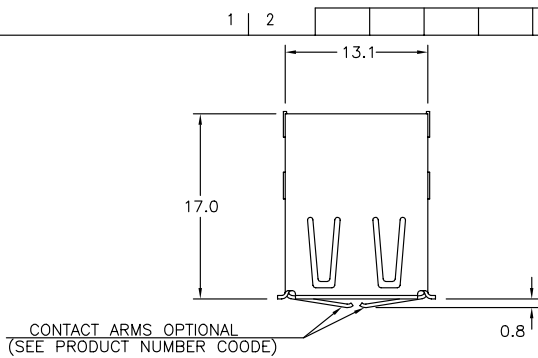
- NOTES:
- 1.MATERIAL:
CONTACTS—COPPER ALLOY
SHELL—COPPER ALLOY
HOUSING—UL 94-V-0 RATED THERMOPLASTIC.
 - 2.PLATING:
CONTACTS: SEE PRODUCT NUMBER CODE;
SHELL: SEE PRODUCT NUMBER CODE.
 - ③DATUM AND BASIC DIMENSIONS ESTABLISHED BY CUSTOMER.
 - 4.RECOMMENDED PC BOARD THICKNESS OF 1.57mm.
 - 5.P/N SEE PRODUCT NUMBER CODE.
(TO BE CONTINUED)

mat'l. code				tolerances unless otherwise specified		CUSTOMER COPY	FCI www.fciconnect.com	
ltr	ecr no	dr	date	linear	projection			
AC	N05-0068	PH	03/09/05		.X ±.30		title UNIV. SERIAL BUS DOUBLE DECK RECEPTACLE	
AD	N05-0106	PH	04/13/05		.XX ±.20			
AE	N06-0101	HB	04/13/06	angles	.XXX ±.10			
AF	N06-0133	HB	05/17/06	dr	0° ±3'		product family USB size dwg no A4 72309	
AG	N08-0198	R.B	2008/09/10	engr	PETER 12/10/97			code sheet 1 of 4
AH	N08-0238	R.B	2008/11/01	chr	R Y LIU 12/10/97			
AJ	ELX-N-004855	AZH	2011/07/28	appd	JENN TSAO 12/10/97			
sheet index	revision							

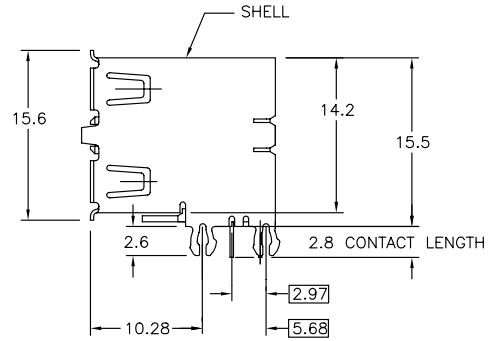
form no. 7530-001-103

1 | 2

PDS: Rev :AJ 3 STATUS:Release@2520 Printed Sep 08, 2011



ASSEMBLY WITHOUT BACK SHIELD
72309-XX3XX SHOWN

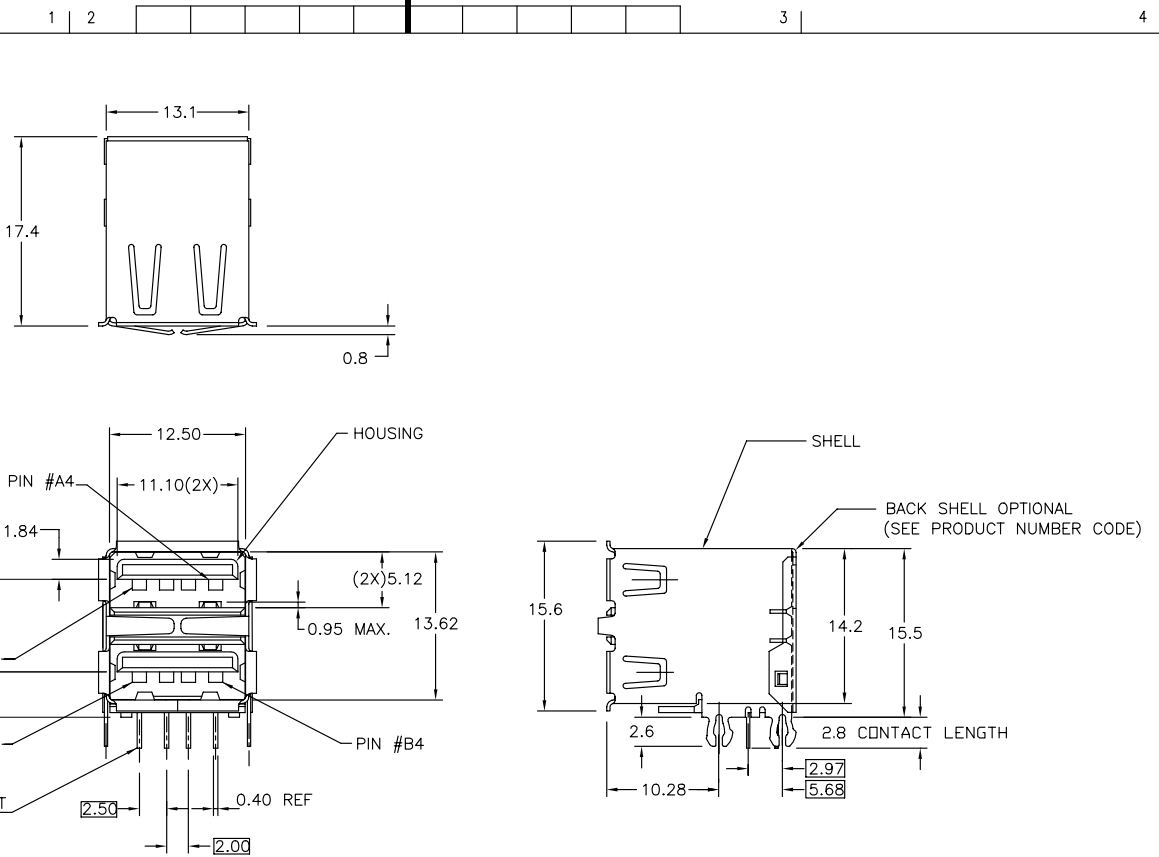


- (CONTINUED)
6. FOR LEAD FREE P/N, A LEAD FREE LABEL WILL APPEAR AT PACKING.
 7. FOR LEAD FREE P/N, THE HOUSING WILL WITHSTAND EXPOSURE TO 260°C PEAK TEMPERATURE FOR 40 SECONDS IN A CONVECTION, INFRA-RED OR VAPOR PHASE REFLOW OVEN.
 8. FOR LEAD FREE P/N, THE PRODUCT MEET EUROPEAN UNION DIRECTIVES AND OTHER COUNTRY REGULATION AS DESCRIBED IN GS-22-008
 9. PACKAGING SPECIFICATION PER GS-14-393.
 10. PRODUCT SPECIFICATION PER GS-12-095.

mat'l. code				tolerances unless otherwise specified				CUSTOMER COPY		FCI	
ltr	ecr no	dr	date	linear	.X ±.30	projection	www.fciconnect.com		title		
AJ					.XX ±.20	⊕	UNIV. SERIAL BUS		DOUBLE DECK RECEPTACLE		
				angles	.XXX ±.10	mm	product family		USB		
				dr	0° ±3'	scale	size		dwg no		
				enqr	PETER PAM 12/10/97	2 : 1	A4		72309		
				chr	R Y LIU 12/10/97				code		
				appd	JENN TSAO 12/10/97				sheet		
sheet	revision										2 of 4
index	sheet										

Tous droits strictement réservés. Reproduction ou communication à des tiers interdite sous quelque forme que ce soit sans autorisation écrite du propriétaire. Propriété de ©FCI. Droits de reproduction FCI.

All rights strictly reserved. Reproduction or issue to third parties in any form whatever is not permitted without written authority from the proprietor. Copyright ©FCI.



ASSEMBLY WITH BACK SHIELD
72309 - XX4XX SHOWN

mat'l. code				tolerances unless otherwise specified		CUSTOMER COPY		FCI www.fciconnect.com					
ltr	ecr no	dr	date	linear	.X ±.30	projection	title	UNIV. SERIAL BUS DOUBLE DECK RECEPTACLE	code				
AJ					.XX ±.20						product family	USB	-
					.XXX ±.10								
				angles	0° ±3'	scale	A4	72309	3 of 4				
				dr	PETER PAM 12/01/97					2 : 1			
				engr	R Y LIU 12/10/97								
				chr	R Y LIU 12/10/97								
				appd	JENN TSAO 12/10/97								
sheet index	revision sheet												

