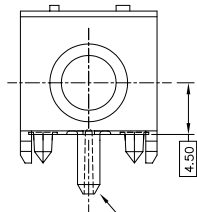
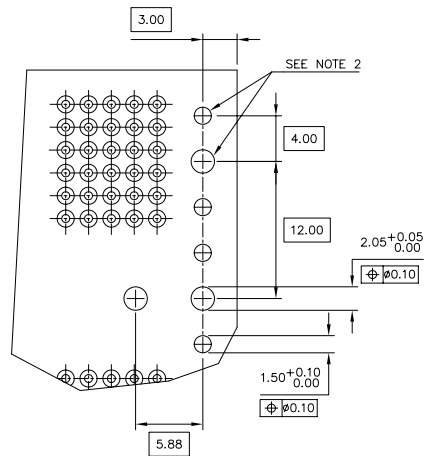
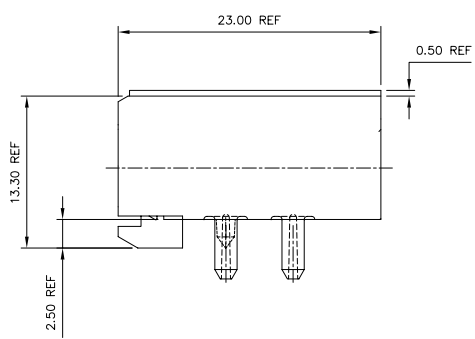


PRODUCT NO.	DESCRIPTION
73474-101	HEAT STAKE VERSION
73474-101LF	HEAT STAKE VERSION

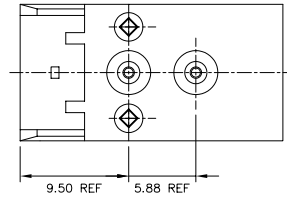
FRONT VIEW



HEAT-STAKE PEG VERSION



REQUIRED PC BOARD LAYOUT COMPONENT SIDE



NOTES:

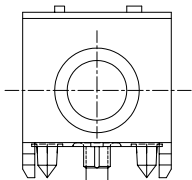
- HOUSING MATERIAL: LCP, 30% GLASS FILLED FLAME RETARDANT PER UL 94V-0. COLOR: NATURAL
- INDICATED HOLES ARE UNPLATED.
- SEE SHEET 2 FOR PRESS-PEG VERSION. SEE SHEET 3 FOR SCREW-DOWN VERSION.
- THE PRODUCTS WHERE THE PART NUMBER ENDS IN "LF" MEET THE EUROPEAN UNION DIRECTIVES AND OTHER COUNTRY REGULATIONS AS DESCRIBED IN GS-22-008. ALL PRODUCTS WILL WITHSTAND EXPOSURE TO 260°C FOR 60 SECONDS IN A CONVECTION, INFRA-RED OR VAPOR PHASE REFLOW OVEN.

mat'l. code	surface	tolerance	projection	product family
SEE NOTES	ISO 1302 ✓	ISO 406 ISO 1101		METRAL ACC
ltr	ecn	no	dr	date
G	v11668	LSS	6/12/01	
H	v12888	CGD	1/02/02	
J	v05-0007	TAB	1/11/05	
K	v05-0223	TAB	3/11/05	dr
L	v05-0730	DAI	8/04/05	enrg
M	M05-0231	MHT	10/28/05	chr
N	M06-0286	MNR	7/27/06	appd
sheet	revision	N	N	N
index	sheet	1	2	3

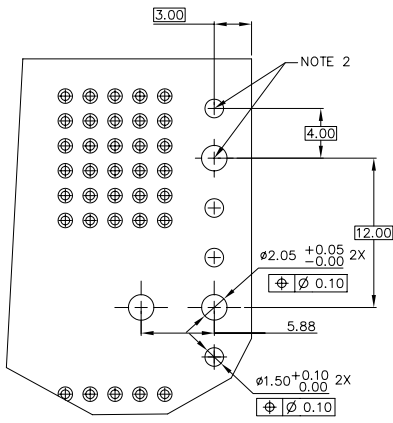
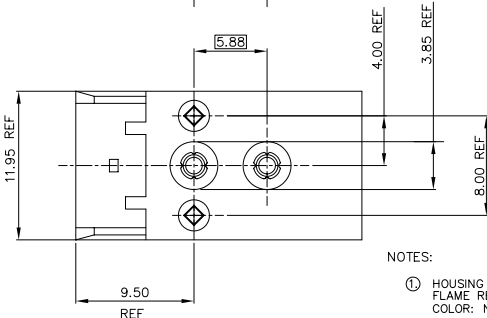
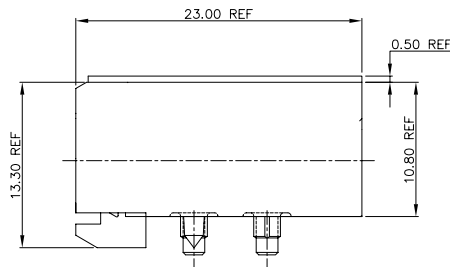
tolerances unless otherwise specified	angles	linear	xx ±0.1/3	xxx ±.005/.13	xxxx ±.0020/.050
scale 1:1					
title	RECEPTACLE GUIDE MODULE, 5 ROW				
dwg no	73474	sheet 1 of 5	size A3		
type	Product	Customer	Drawing		

PRODUCT NO.	DESCRIPTION
73474-201	PRESS-PEG VERSION
73474-201LF	PRESS-PEG VERSION

FRONT VIEW



PRESS PEG VERSION



REQUIRED PC BOARD LAYOUT
COMPONENT SIDE

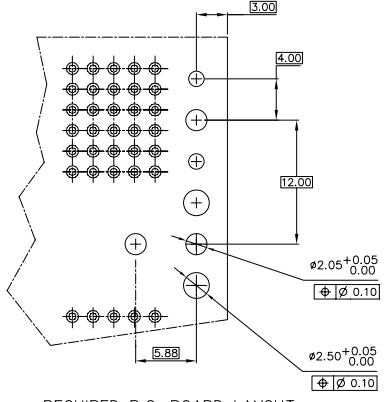
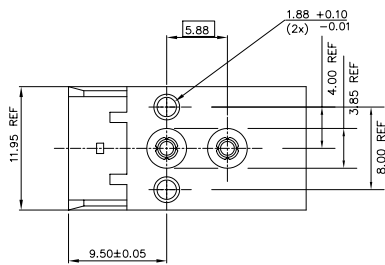
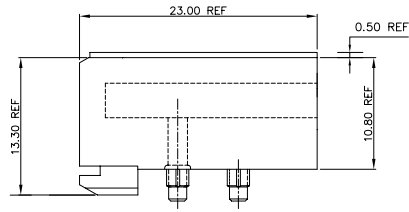
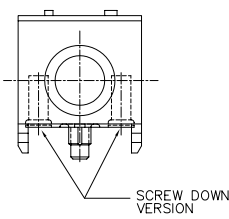
NOTES:

- HOUSING MATERIAL: LCP, 30% GLASS FILLED
FLAME RETARDANT PER UL 94V-0.
COLOR: NATURAL
- INDICATED HOLES ARE UNPLATED.
- THIS SHEET SHOWS DIMENSIONS OF OPTIONAL PRESS-PEG ONLY.
FOR ALL OTHER DIMENSIONS AND REQUIREMENTS SEE SHEET 1.
FOR HEAT-STAKE VERSION SEE SHEET 1, FOR SCREW-DOWN
VERSION, SEE SHEET 3.

mat'l. code	surface	tolerance	projection	product family
SEE NOTES	ISO 1302 ✓	ISO 406		METRAL ACC
ltr	ecn	no	dr	date
N				
tolerances unless otherwise specified		xx ±0.1/3	mm	title
angles	linear	xxx ±.005/13	scale 1:1	RECEPTACLE GUIDE MODULE, 5 ROW
σ±2	xxxx ±.0020/.050			dwg no
dr	M. FETROW	5/19/97		73474
engr	C. PENDLETON	5/19/97		sheet 2 of 5 size
chr	C. PENDLETON	5/19/97		A3
appd	C. PENDLETON	5/19/97		type
sheet	revision			Product Customer Drawing
index	sheet			

PRODUCT NO.	DESCRIPTION
73474-301	SCREW DOWN VERSION
73474-301LF	SCREW DOWN VERSION

FRONT VIEW



REQUIRED P.C. BOARD LAYOUT COMPONENT SIDE

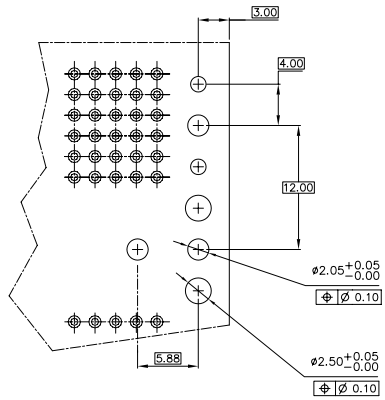
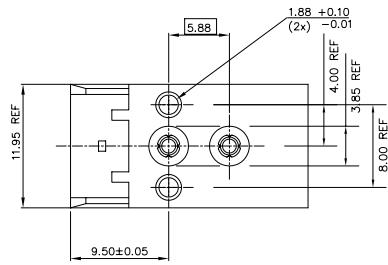
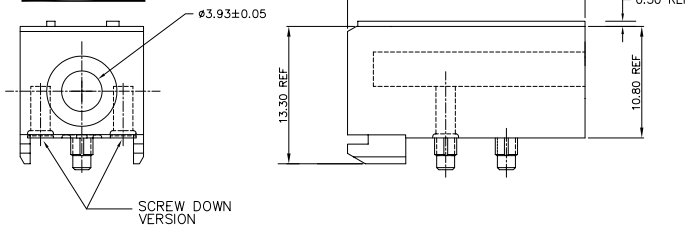
NOTES:

- HOUSING MATERIAL: LCP, 30% GLASS FILLED
FLAME RETARDANT PER UL 94V-0.
COLOR: NATURAL
- THIS SHEET SHOWS DIMENSIONS OF OPTIONAL SCREW-DOWN ONLY.
FOR ALL OTHER DIMENSIONS AND REQUIREMENTS SEE SHEET 1.
FOR HEAT-STAKE VERSION SEE SHEET 1, FOR PRESS-PEG,
SEE SHEET 2.
- TWO MOUNTING SCREWS, P/N 63787-001, OR 63787-001LF FOR
73474-301LF, FOR MAX PCB THICKNESS 2.4mm [0.094"].
P/N 63787-002 OR 63787-002LF FOR 73474-301LF MAX
PCB THICKNESS 3.2mm [0.126"].
MUST BE ORDERED SEPARATELY
- THE MATING CONNECTOR FOR THIS APPLICATION MUST USE A
WALL-LESS HEADER HOUSING, P/N 63735-101, TO AVOID
INTERFERENCE WITH MOUNTING SCREW HEADS.

mat'l. code	surface	tolerance	projection	product family
SEE NOTES	ISO 1302 ✓	ISO 406		METRAL ACC
itr	ecn	no	dr	date
N				
tolerances unless otherwise specified				title
angles	linear	xx ±0.1/3	mm	RECEPTACLE GUIDE
		xxx ±.005/.13	scale 1:1	MODULE, 5 ROW
		σ±z		dwg no
dr	M. FETROW	5/19/97		73474
enrg	C. PENDLETON	5/19/97		sheet 3 of 5 size
chr	C. PENDLETON	5/19/97		A3
appd	C. PENDLETON	5/19/97		type
sheet	revision			Product Customer Drawing
index	sheet			

PRODUCT NO.	DESCRIPTION
73474-302	SCREW DOWN VERSION
73474-302LF	SCREW DOWN VERSION

FRONT VIEW



REQUIRED P.C. BOARD LAYOUT
COMPONENT SIDE

NOTES:

- HOUSING MATERIAL: LCP, 30% GLASS FILLED
FLAME RETARDANT PER UL 94V-0.
COLOR: NATURAL
- THIS SHEET SHOWS DIMENSIONS OF OPTIONAL SCREW-DOWN ONLY.
FOR ALL OTHER DIMENSIONS AND REQUIREMENTS SEE SHEET 1.
FOR HEAT-STAKE VERSION SEE SHEET 1, FOR PRESS-PEG,
SEE SHEET 2.
- TWO MOUNTING SCREWS, P/N 63787-001, OR 63787-001LF FOR
73474-301LF, FOR MAX PCB THICKNESS 2.4mm [0.094"].
P/N 63787-002 OR 63787-002LF FOR 73474-301LF MAX
PCB THICKNESS 3.2mm [0.126"].
MUST BE ORDERED SEPARATELY
- THE MATING CONNECTOR FOR THIS APPLICATION MUST USE A
WALL-LESS HEADER HOUSING, P/N 63735-101, TO AVOID
INTERFERENCE WITH MOUNTING SCREW HEADS.

mat'l. code	surface	tolerance	projection	product family
SEE NOTES	ISO 1302 ✓	ISO 406	ASME Y14.5	METRAL ACC
ISO 1101	tolerances unless otherwise specified	xx ± 0.1/3	mm	title
linear	xxx ± 0.05/13	xxxx ± 0.020/0.050	scale 1:1	RECEPTACLE GUIDE MODULE, 5 ROW
angles	dr M. FETROW 5/19/97	engr C. PENDLETON 5/19/97	chr C. PENDLETON 5/19/97	dwg no 73474 sheet 4 of 5 size A3
σ±Z	appd C. PENDLETON 5/19/97			type Product Customer Drawing
sheet index	revision sheet			

