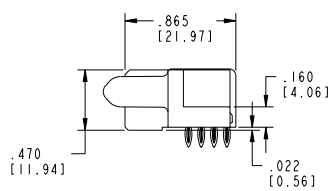
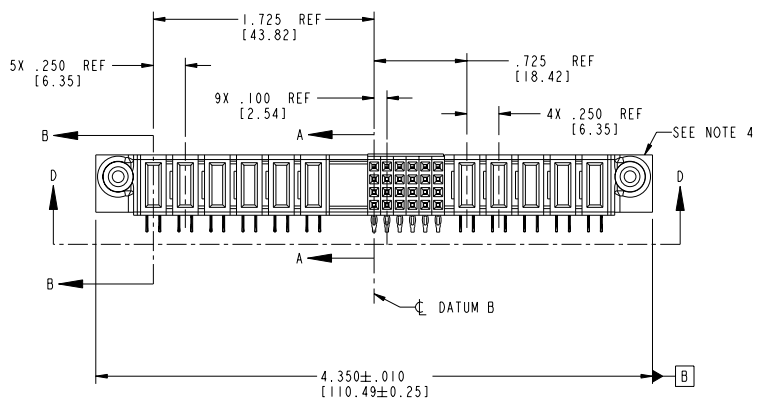


Tous droits strictement réservés. Reproduction ou communication o des tiers interdite sans autorisation écrite du propriétaire. Property of FCI. Copyright FCI. Droits de reproduction FCI.

All rights strictly reserved. Reproduction or issue to third parties in any form without written authority from the proprietor. Property of FCI. Copyright FCI.

PRODUCT NO.	ROWS	POWER						SIGNAL						POWER					
51866-008	D C B A	E2	P11	P10	P9	P8	P7	P6	4	3	2	1	P5	P4	P3	P2	P1	E1	
NOTE: ③		PE	PE	PE	PE	PE	PE	PE	S	S	S	S	PE	PE	PE	PE	PE		
									R	R	R	R							
									P	P	P	P							
									N	N	N	N							



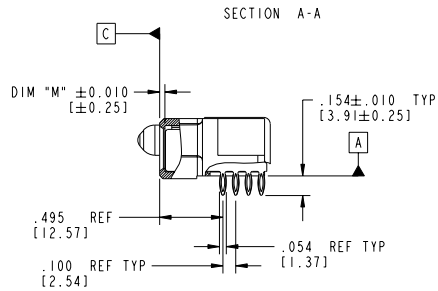
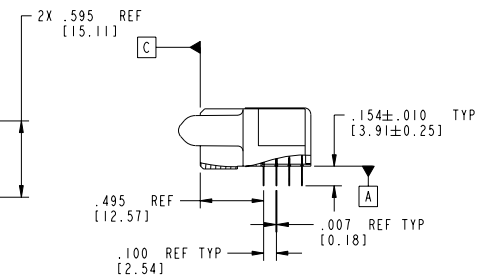
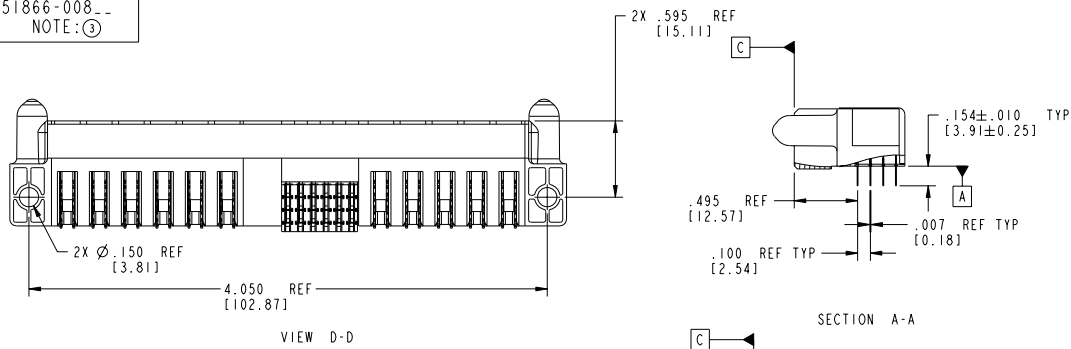
CODE	DIM "M" MATING LENGTH	CONTACT TYPE
N	N/A [N/A]	SIGNAL
P	N/A [N/A]	SIGNAL
R	N/A [N/A]	SIGNAL
S	N/A [N/A]	SIGNAL
PE	.042 [1.07]	POWER

mat'l code SEE NOTE 2				tolerances unless otherwise specified		CUSTOMER		FCI www.fciconnect.com	
lvr	escn no.	dr	date	linear		COPY	projection	title	5P + 24S + 1M + 6P
A	V12545	JWS	11/23/01		.11 ± .01/0.11 ± 0.3			R/A PRESS FIT RECEPT.	
B	D605-0232	SJ	07/20/05	angles	.111 ± .005/0.11 ± 0.13			product family	Pwr Blade
				dr	.111 ± .002/0.11 ± 0.051			size	213
				engr	6 ± .2			dwg no	1 of 4
				chr				scale	1:1
				appd				code	A 51866-008
sheet index	revision sheet	B	B	B	B				
		1	2	3	4				

Tous droits strictement réservés. Reproduction ou communication o des tiers interdite sans autorisation écrite du propriétaire. Property of FCI. Copyright FCI.

All rights strictly reserved. Reproduction or issue to third parties in any form without written authority from the proprietor. Property of FCI. Copyright FCI.

PRODUCT NUMBER
51866-008--
NOTE: ③



mat'l code	SEE NOTE 2	tolerances unless otherwise specified	CUSTOMER	FCI www.fciconnect.com	
thr	ecn no.	dr	date	lineal	.11±.01/0.11±0.3
B				linear	.111±.005/0.11±0.13
				angles	.111±.002/0.11±0.051
				dr	6°±2°
				eng	J. SHAFFER 11/29/01
				chr	J. ALLISON 11/29/01
				appd	J. ALLISON 11/29/01
sheet index	revision sheet			projection	1st angle
				INCH/MM	product family
				scale	1:1
					size
					dwg no
					A 51866-008
					code
					PwrBlade
					213
					sheet
					2 of 4

Pro/E

code code 22526

PDM: Rev:B

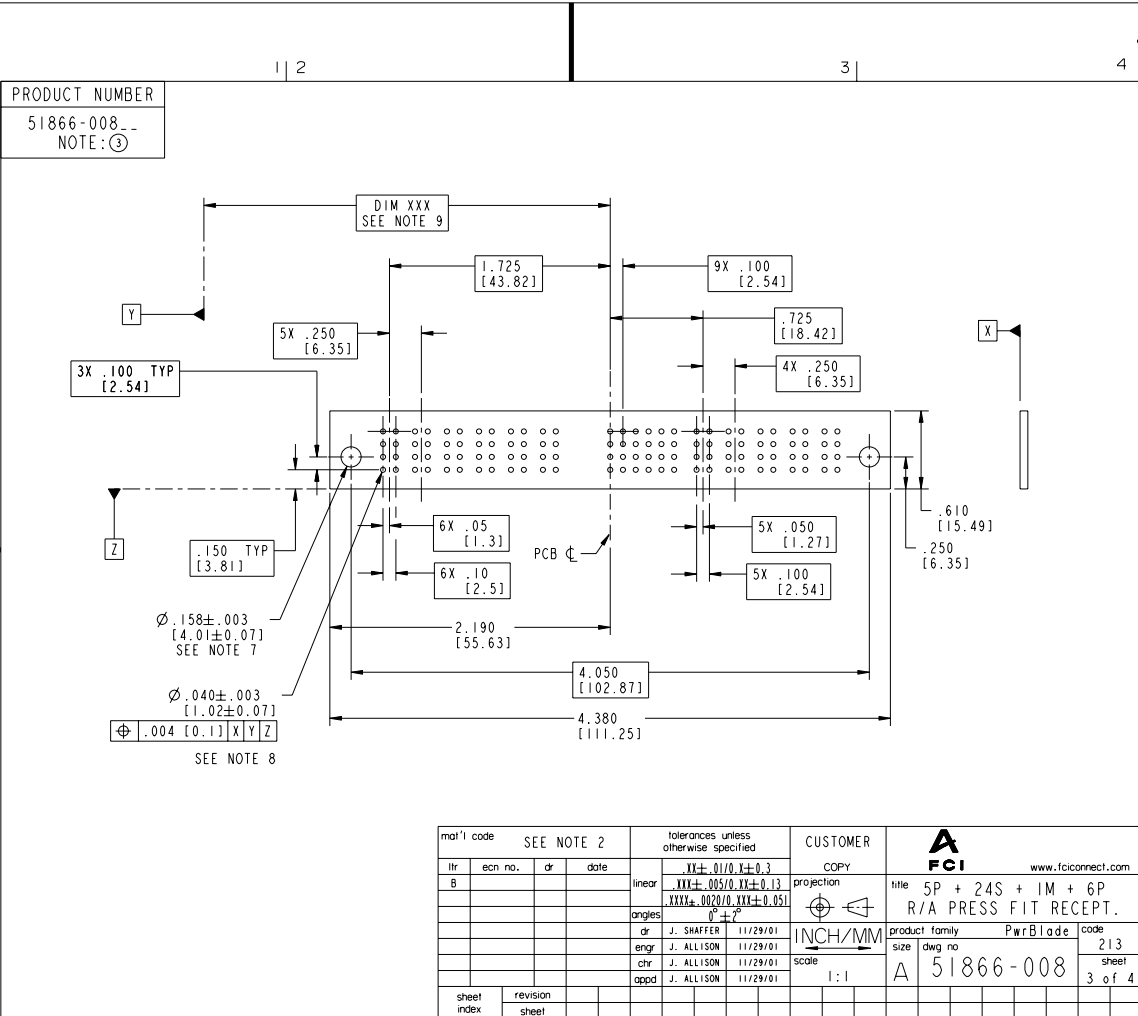
STATUS:Released

Printed: Dec 20, 2010

Tous droits strictement réservés. Reproduction ou communication o des tiers interdite sans autorisation écrite du propriétaire. Property of FCI. Copyright FCI. Droits de reproduction FCI.



All rights strictly reserved. Reproduction or issue to third parties in any form without written authority from the proprietor. Property of FCI. Copyright FCI.



mat'l code	SEE NOTE 2	tolerances unless otherwise specified	CUSTOMER	FCI	www.fciconnect.com
thr	ecm no.	dr	date	COPY	title
B					5P + 24S + 1M + 6P R/A PRESS FIT RECEPT.
				linear	$.11 \pm .01 / 0.11 \pm 0.3$
				angles	$.111 \pm .005 / 0.111 \pm 0.13$
				or	$.0020 / 0.111 \pm 0.051$
				engr	J. SHAFFER 11/29/01
				ctr	J. ALLISON 11/29/01
				appd	J. ALLISON 11/29/01
sheet index	revision sheet			product family	Pwr Blade
				size	code
				A	213
				scale	3 of 4
				1:1	

Pro/E

code code 22526

PDM: Rev:B STATUS:Released

Printed: Dec 20, 2010

Tous droits strictement réservés. Reproduction ou communication o des tiers interdite sans autorisation écrite du propriétaire.
 Property of FCI. Copyright FCI. Droits de reproduction FCI.

All rights strictly reserved. Reproduction or issue to third parties in any form without written authority from the proprietor.
 Property of FCI. Copyright FCI.

PRODUCT NUMBER
 51866-008--
 NOTE: ③

NOTES:

1. DIMENSIONS AND TOLERANCES ARE IN ACCORDANCE WITH ASME Y14.5M, 1994 UNLESS OTHERWISE SPECIFIED.

CONNECTORS NOTES:

② HOUSING MATERIAL: UL 94 V-0 GLASS FILLED HIGH TEMP THERMO PLASTIC
 POWER CONTACT MATERIAL: COPPER ALLOY
 SIGNAL PIN MATERIAL: COPPER ALLOY

③ PLATING:

51866-008 Singal Pin: 30u"/0.76um Au OVER 50u"/1.27um Ni ON THE CONTACT AREA,
 AND 100u"/2.54um SnPb PLATING OVER 50u"/1.27um Ni ON THE TERMINATION SECTION.
 Power Pin: 30u"/0.76um Au OVER 50u"/1.27um Ni ON THE CONTACT AREA,
 AND 100u"/2.54um SnPb PLATING OVER 50u"/1.27um Ni ON THE TERMINATION SECTION.

51866-008LF Singal Pin: 30u"/0.76um Au OVER 50u"/1.27um Ni ON THE CONTACT AREA,
 AND 78u"/2.00um Sn PLATING OVER 50u"/1.27um Ni ON THE TERMINATION SECTION.
 Power Pin: 30u"/0.76um Au OVER 50u"/1.27um Ni ON THE CONTACT AREA,
 AND 78u"/2.00um Sn PLATING OVER 50u"/1.27um Ni ON THE TERMINATION SECTION.

PART NUMBER 51866-008LF MEETS EUROPEAN UNION DIRECTIVE AND OTHER COUNTRY REGULATIONS AS DESCRIBED IN GS-22-008.

THE HOUSING WILL WITHSTAND EXPOSURE TO 260° PEAK TEMPERATURE FOR 10 SECONDS IN A WAVE SOLDER APPLICATION WITH A CIRCUIT BOARD.

④ "MANUFACTURER" NAME, P/N, AND DATE CODE TO APPEAR ON THIS SURFACE.

⑤ PRODUCT SPECIFICATION GS-12-149.

PCB - NOTES:

⑥ ALL HOLE DIAMETERS ARE FINISHED HOLE SIZE.

7. HOLD DOWN THROUGH HOLES ARE UNPLATED.

8. $\varnothing .0453 \pm 0.0010$ [1.151 \pm 0.025] DRILLED HOLES PLATED WITH 0.0003 [0.008] MIN SnPb OVER .001 [0.03] TO .003 [0.08] Cu PLATING TO ACHIEVE $\varnothing .040 \pm .003$ [1.02 \pm .07] HOLE.

9. "DIM XXX" TO BE DETERMINED BY THE CUSTOMER.

10. USE FCI CAM TOOL 430140-XXX TO APPLY CONNECTOR TO PCB.

mat'l code	SEE NOTE 2			tolerances unless otherwise specified	CUSTOMER	FCI www.fciconnect.com	
thr	ecn no.	dr	date		COPY	title	code
B				linear .11 \pm .01 / 0.11 \pm 0.3	projection	5P + 24S + 1M + 6P R/A PRESS FIT RECEIPT.	
				angles .111 \pm .005 / 0.111 \pm 0.13	INCH/MM	product family PwrBlade	213
				dr .01 \pm .002 / 0.01 \pm 0.051		size	dwg no
				eng J. SHAFFER 11/29/01	scale	A 51866-008	
				chr J. ALLISON 11/29/01	1:1		
				appd J. ALLISON 11/29/01			
sheet index	revision sheet					code code 22526	4

Pro/E

PDM: Rev: B

STATUS: Released

Printed: Dec 20, 2010