



Copyright FCI



FCIconnect.com

1 | 2

3

4

PRODUCT NUMBER
20020107-XXXXXXLF

20020107-□□□□△○□LF

PITCH

C: 3.50 mm
D: 3.81 mm
G: 5.00 mm
H: 5.08 mm

POLES

02: 2 POLES
03: 3 POLES
04: 4 POLES
24: 24 POLES

LF : DENOTED RoHS COMPATIBLE

1 : STANDARD PRODUCT
W/ BOX PACKING

HOUSING CODE

CODE	COLOR	AVAILABILITY
1	GREEN(RAL 6018/T)	STANDARD
2	BLACK	ON REQUEST ONLY
3	GREY(RAL 7004/P)	ON REQUEST ONLY
4	BLUE(RAL 5015/A)	ON REQUEST ONLY
5	YELLOW(RAL 1018)	ON REQUEST ONLY

PROPERTY TABLE				
FCI SERIES NAME	06-350	06-381	06-500	06-508
PITCH (mm)	3.50	3.81	5.00	5.08
VOLTAGE RATING (VAC)	300	300	300	300
CURRENT RATING (A)	cULus	10	10	12
	VDE	10.5	10.5	NA
WITHSTANDING VOLTAGE (kV)	cULus	1.6	1.6	1.6
	VDE	2.5	2.5	NA
OPERATING TEMP. (°C)	-40~+115	-40~+115	-40~+115	-40~+115
SOLDERING TEMP. (°C)	250±10	250±10	250±10	250±10
	(5 sec.)	(5 sec.)	(5 sec.)	(5 sec.)
POLES AVAILABLE	02~24	02~24	02~24	02~24
SAFETY CERTIFICATE				

NOTES:

- MATERIALS
1-1 HOUSING: THERMALPLASTIC RESIN, UL 94V-0 RATED.
1-2 TERMINAL: COPPER ALLOY, TIN PLATED.
2. PRODUCTION SPECIFICATION REFER TO FCI GS-12-625.
3. BOXED PACKAGING.
DETAILED PRODUCT PACKING SPECIFICATION REFER TO FCI GS-14-1394.
4. FCI, SAFETY CERTIFICATE LOGO AND SERIES NAME TO BE SHOWN ON PRODUCT SURFACE.
5. THE PRODUCTS WHERE THE PART NUMBER END IN "LF" MEET THE EUROPEAN UNION DIRECTIVE AND OTHER COUNTRY REGULATIONS AS DESCRIBED IN GS-22-008.
6. RECOMMENDED SOLDERING PROCESS BY WAVE SOLDER.

mat'l. code		surface ASME Y14.5		tolerance ASME Y14.5		projection		product family	
ltr	ecn no	dr	date	tolerances unless otherwise specified		MM [INCH]		TERMINAL BLOCK	
E	T10-0159	WL	100410	X.±0.5[.020]		MM [INCH]		TERMINAL BLOCK	
F	T10-0187	WL	121410	X.X±0.3[.012]		MM [INCH]		PLUGGABLE SOCKET, STRAIGHT	
G	T11-0013	WL	040811	X.±1		scale		dwg no	
H	T-004330	WL	063011	dr	BEER FU	062509		sheet 1 of 5	
J	T-004746	WL	072011	enrg	BEER FU	062509		20020107	
K	T-005754	WL	090611	chr	GARY Hsieh	062509		A4	
				appd	JOSEPH HSIA	062509		type	
sheet	revision	K	K	K	K	K	K	CUSTOMER Drawing	
index	sheet	1	2	3	4	5			

form: A4mmXLc

1 |

2

PDS: Rev :K3

STATUS:Released

Printed: Oct 07 2011



Copyright FCI



FCIconnect.com



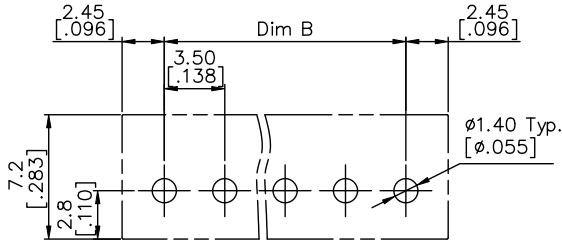
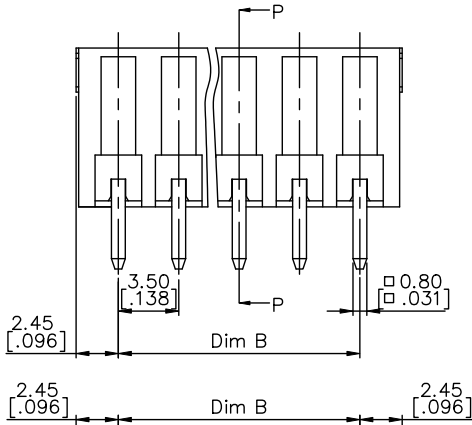
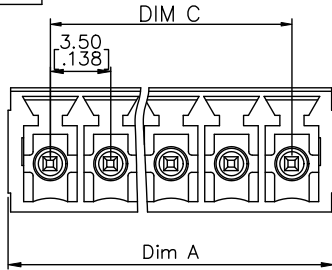
3



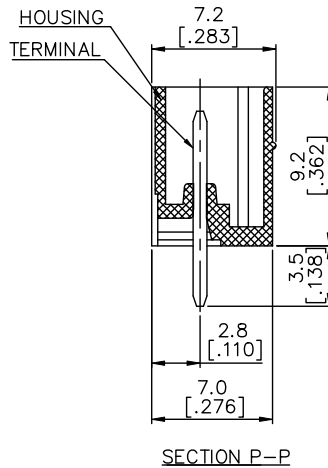
4

1 | 2

PRODUCT NUMBER	SERIES NAME	PITCH
20020107-CXXXXXXLF	06-350	3.50 mm



RECOMMENDED P.C.B LAYOUT



N= NUMBER OF POLES
DIMENSION

Dim A	$(N-1) \times 3.5 [.138] + 4.9 [.193]$
Dim B	$(N-1) \times 3.5 [.138]$
Dim C	$(N-1) \times 3.5 [.138]$

Poles	Tolerance
2P-6P	$\pm 0.15 [.006]$
7P-12P	$\pm 0.20 [.008]$
13P-18P	$\pm 0.25 [.010]$
19P-24P	$\pm 0.30 [.012]$

mat'l. code	surface ASME Y14.5	tolerance ASME Y14.5	projection	product family	TERMINAL BLOCK
ltr	ecn	no	dr	date	title
K					TERMINAL BLOCK PLUGABLE, SOCKET, SIGNAL, VERTICAL
tolerances unless otherwise specified				MM	dwg no
angles	X	$\pm 0.5 [.020]$	[INCH]	20020107	sheet 2 of 5
dr	BEER FU	062509	scale	FCI	size A4
engr	BEER FU	062509			
chr	GARY HSIEH	062509			
appd	JOSEPH HSIA	062509			
sheet index	revision sheet			type	CUSTOMER Drawing

form: A4mmXLc

1

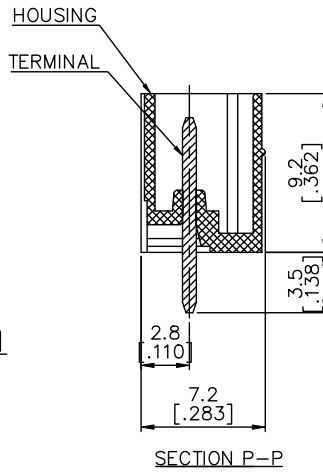
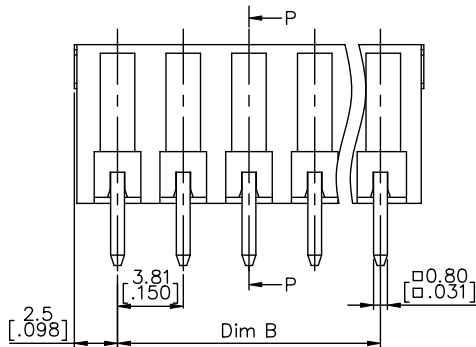
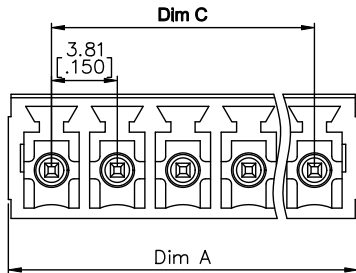
2

PDS: Rev :K3

STATUS:Released

Printed: Oct 07 2011

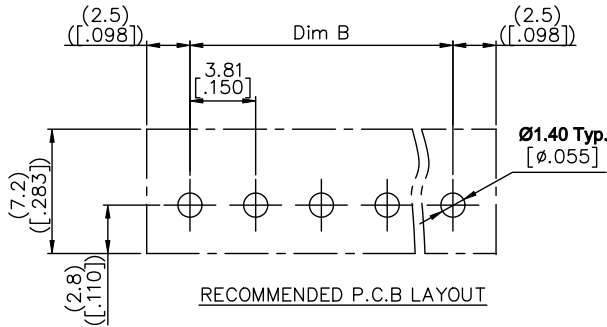
PRODUCT NUMBER	SERIES NAME	PITCH
20020107-DXXXXXLF	06-381	3.81 mm



N= NUMBER OF POLES
DIMENSION

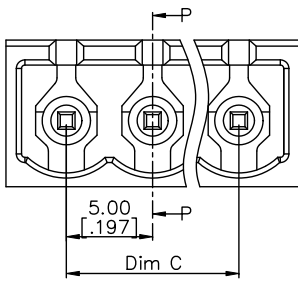
Dim A	$(N-1) \times 3.81 [.150] + 5.0 [.197]$
Dim B	$(N-1) \times 3.81 [.150]$
Dim C	$(N-1) \times 3.81 [.150]$

Poles	Tolerance
2p-6p	$\pm 0.15 [.006]$
7p-12p	$\pm 0.20 [.008]$
13p-16p	$\pm 0.25 [.010]$
17p-24p	$\pm 0.30 [.012]$



mat'l. code	surface ASME Y14.5 ✓	tolerance ASME Y14.5	projection	product family	TERMINAL BLOCK
ltr	ecn	no	dr	date	title
K					TERMINAL BLOCK PLUGABLE, SOCKET, SIGNAL, VERTICAL
tolerances unless otherwise specified				MM	dwg no
angles	AS	X	$\pm 0.5 [.020]$	[INCH]	sheet 3 of 5
AS	X.X	$\pm 0.3 [.012]$	scale	FCI	size
X ± 1	X.XX	$\pm 0.1 [.004]$			20020107
dr	BEER FU	062509			A4
enr	BEER FU	062509			type
chr	GARY HSIEH	062509			CUSTOMER Drawing
appd	JOSEPH HSIA	062509			
sheet index	revision sheet				

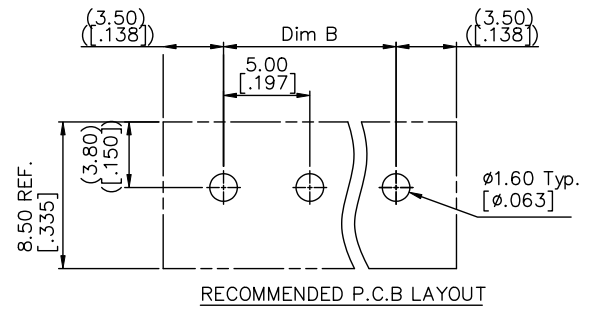
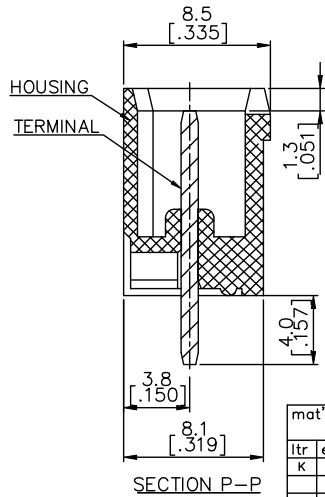
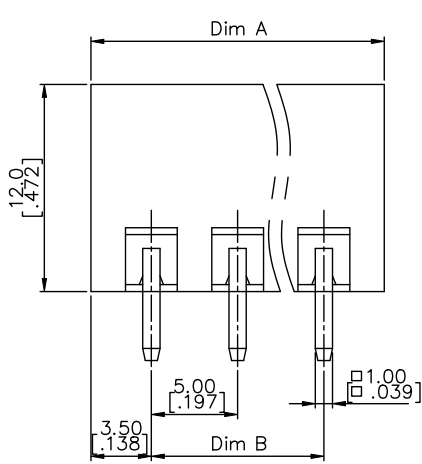
PRODUCT NUMBER	SERIES NAME	PITCH
20020107-GXXXXXLF	06-500	5.00 mm



N = NUMBER OF POLES
DIMENSION

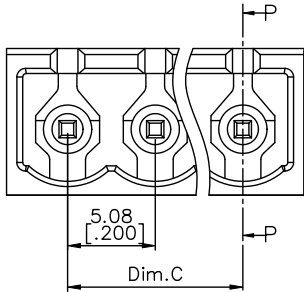
Dim A	$N * 5.0 [.197] + 2.0 [.079]$
Dim B	$(N - 1) * 5.0 [.197]$
Dim C	$(N - 1) * 5.0 [.197]$

Poles	Tolerance
2p-6p	$\pm 0.15 [.006]$
7p-12p	$\pm 0.25 [.010]$
13p-16p	$\pm 0.35 [.014]$
17p-24p	$\pm 0.40 [.016]$



mat'l. code	surface ASME Y14.5	tolerance ASME Y14.5	projection	product family
ltr	ecn	no	dr	date
tolerances unless otherwise specified				
angles	X	$\pm 0.5 [.020]$	MM	title
angles	X.X	$\pm 0.3 [.012]$	[INCH]	TERMINAL BLOCK
X $\pm 1^\circ$	X.XX	$\pm 0.1 [.004]$	scale	PLUGABLE, SOCKET, SIGNAL, VERTICAL
dr	BEER FU	062509	FCI	dwg no
enr	BEER FU	062509		sheet 4 of 5
chr	GARY HSIEH	062509		20020107
appd	JOSEPH HSIA	062509		A4
sheet index	revision sheet			type
				CUSTOMER Drawing

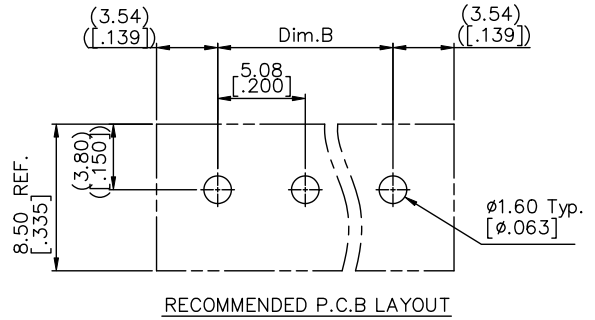
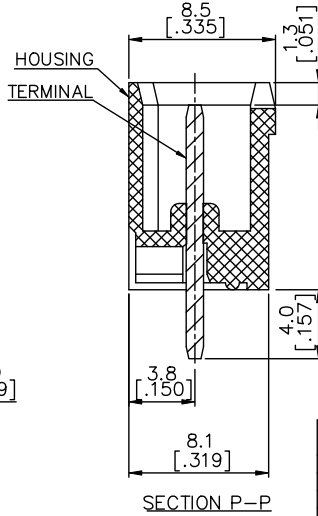
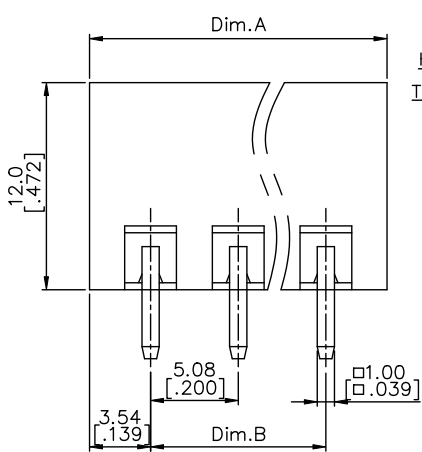
PRODUCT NUMBER	SERIES NAME	PITCH
20020107-HXXXXXXLF	06-508	5.08 mm



N = NUMBER OF POLES
DIMENSION

Dim A	$N * 5.08 [.200] + 2.0 [.079]$
Dim B	$(N - 1) * 5.08 [.200]$
Dim C	$(N - 1) * 5.08 [.200]$

Poles	Tolerance
2p-6p	$\pm 0.15 [.006]$
7p-12p	$\pm 0.25 [.010]$
13p-16p	$\pm 0.35 [.014]$
17p-24p	$\pm 0.40 [.016]$



mat'l. code	surface ASME Y14.5	tolerance ASME Y14.5	projection	product family
ltr	ecn	no	dr	date
tolerances unless otherwise specified				
K				
	angles	X	$\pm 0.5 [.020]$	MM
		X.X	$\pm 0.3 [.012]$	[INCH]
	X $\pm 1^\circ$	X.XX	$\pm 0.1 [.004]$	scale
	dr	BEER FU	062509	
	engr	BEER FU	062509	
	chr	GARY HSIEH	062509	
	appd	JOSEPH HSIA	062509	
sheet index	revision sheet			
				product family
				TERMINAL BLOCK
				title
				TERMINAL BLOCK
				PLUGABLE, SOCKET, SIGNAL, VERTICAL
				dwg no
				20020107
				sheet 5 of 5 size
				A4
				type
				CUSTOMER Drawing