

LOC	DISP	REV	DESCRIPTION	DATE	BY	APPV
GP	00	B	REV PER ECO-08-014871	26 JUN 2008	RG	PD

1. PART NUMBER CHANGES AND OR DESIGN CHANGES AFFECTING ITEM INTERCHANGEABILITY REQUIRE PRIOR TYCO ELECTRONICS APPROVAL AND AUTHORIZATION BY REVISION TO THIS DRAWING.

△ MATERIAL: INSULATORS - THERMOPLASTIC, GLASS REINFORCED, COLOR: BLACK
UL94V-0 FLAMMABILITY RATED.
CROWN BAND: BERYLLIUM COPPER
SOLDER SIGNAL PIN - BRASS ALLOY
COMPLIANT SIGNAL PIN - PHOSPHOR BRONZE

△ FINISH: SOLDER CONTACTS - GOLD PLATE 0.76µM MIN. THK. OVER
NICKEL 1.27µM MIN. THK.
SOLDER TAILS - MATTE TIN 3.05µM MIN. THK. OVER
NICKEL 1.27µM MIN. THK.
COMPLIANT CONTACTS - GOLD PLATE 0.76µM MIN. THK. OVER
NICKEL 1.27µM MIN. THK.
COMPLIANT TAILS - MATTE TIN 2.54µM MIN. THK. OVER
NICKEL 1.27µM MIN THK.

△ ITEMS PROVIDED TO THIS SPECIFICATION TO BE IDENTIFIED ON THE CONTAINER PER THE FOLLOWING IDENTIFIER LABEL

TYCO ELECTRONICS P/N DATE CODE (e.g. 0T06)
XXXXXXX-X XXXX

5. ALL DIMENSIONS APPLY TO -1 AND -2, UNLESS OTHER SPECIFIED.

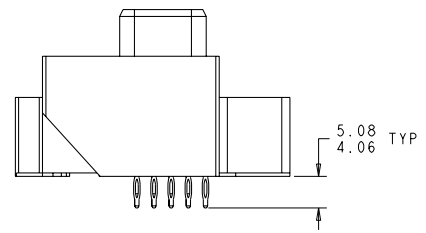
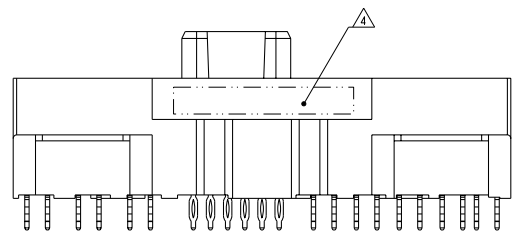
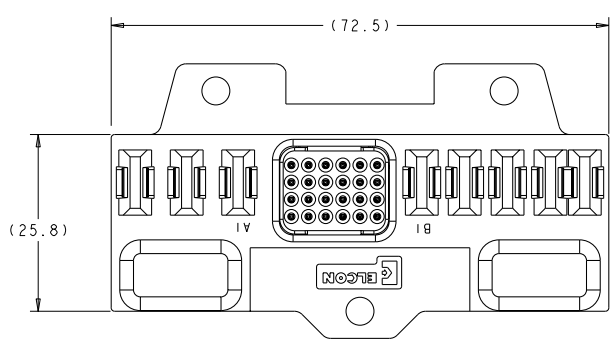
ELCON SERVERPAK

W/ SOLDER TAILS		6648056-1
DESCRIPTION		PART NO.
SOCKET CONNECTOR SOLDER AND COMPLIANT TAIL SERVERPAK		
DIMENSIONS: 0 PLC ±.0 1 PLC ±.5 2 PLC ±.25 3 PLC ±.25 4 PLC ±.25 ANGLES ±.5	TO DRAWING SPECIFICATIONS PRODUCT SPEC APPLICATION SPEC	DATE: 26 JUN 08 BY: R. GRZYBOWSKI CHK: P. DAMATO APPV: S. FLICKLINGER TITLE: CUSTOMER DRAWING WEIGHT: - MATERIAL: -
TYCO ELECTRONICS HARRISBURG, PA 17105-3608		RESTRICTED TO: - SCALE: 3:1 SHEET: 1 OF 4 REV: B

AMP 1471-B REV 3/04/0200
Pro/ENGINEER DRAWING

THIS DRAWING IS UNPUBLISHED. RELEASED FOR PUBLICATION
 BY TYCO ELECTRONICS CORPORATION. ALL RIGHTS RESERVED.

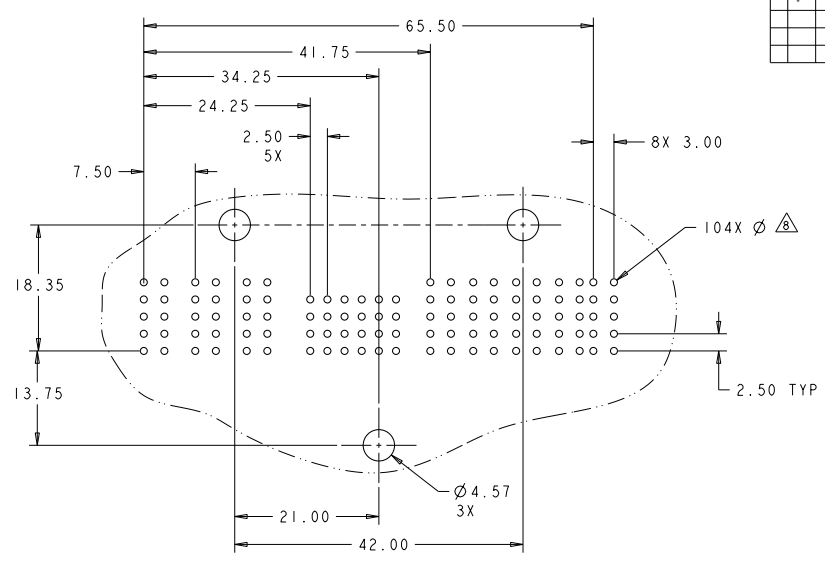
LOC	DIST	REVISIONS					
GP	00	P	LYR	DESCRIPTION	DATE	OWN	APPR
		-		SEE SHEET 1	-	-	-



ELCON SERVERPAK

W/ COMPLIANT TAILS	6648056-2
DESCRIPTION	PART NO.

<small>TOP DIMENSIONS: 0 PLC ±.5, 1 PLC ±.5, 2 PLC ±.25, 3 PLC ±.25, 4 PLC ±.25, ANGLES ±.5</small>		DWG: R. GRZYBOWSKI 26 JUN08 CHK: P. DAMATO 26 JUN08 APPR: S. ELICKLINGER 26 JUN08	Tyco Electronics Harrisburg, PA 17105-3608
DIMENSIONS: mm 	TO: BRAND'S ANALYSIS PRODUCT SPEC APPLICATION SPEC MATERIAL: - FINISH: -	NAME: S. ELICKLINGER TITLE: CASE CODE: A200779 DRAWING NO: 6648056	RESTRICTED TO: - SCALE: 3:1 SHEET: 2 OF 4 REV: B
MATERIAL: -		CUSTOMER DRAWING	



REVOLUTIONS		DATE	BY	APPROV
P	LYA			
- SEE SHEET 1		-	-	-

PRINTED CIRCUIT LAYOUT
COMPONENT SIDE

CONNECTOR	CATALOG MODULE #	SIZE NO.	CONTACT QTY	MATING PIN	MAX. CURRENT (PER CONTACT)	CONTACT SPACING	VOLTAGE RATING
SOCKET	DEDICATED HOUSING	8	5	1.25 X 7.00	35 amps	VARIES	250
		22	24	.64 SQ.	3 amps	2.50	125
		8	3	1.25 X 7.00	35 amps	7.50	250

DIMENSIONS: mm 	OPERATING SPECIFICATIONS: 0 PLC ±.5 1 PLC ±.5 2 PLC ±.25 3 PLC ±.25 4 PLC ±.25 ANGLES ±.5 FINISH -	DWG: R. GRZYBOWSKI 26 JUN08 CD: P. DAMATO 26 JUN08 APPD: S. FLICKLINGER 26 JUN08 PRODUCT SPEC APPLICATION SPEC WEIGHT CUSTOMER DRAWING	Tyco Electronics Harrisburg, PA 17105-3608 SOCKET CONNECTOR SOLDER AND COMPLIANT TAIL SERVERPAK SHEET CASE CODE DRAWING NO A200779 ©-6648056 RESTRICTED TO
-----------------------	---	--	---

ELCON **SERVERPAK**

AMP 1471-9 REV 3/04/2000

4

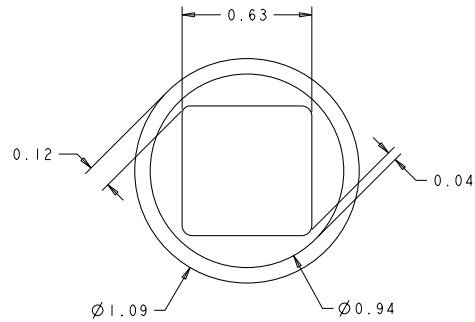
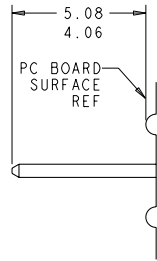
3

2

1

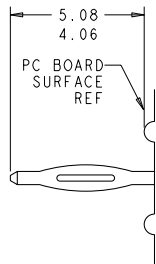
THIS DRAWING IS UNPUBLISHED. RELEASED FOR PUBLICATION
BY TYCO ELECTRONICS CORPORATION. ALL RIGHTS RESERVED.

LOC	DIST	REVISIONS			
P	LYA	DESCRIPTION	DATE	OWN	APVS
-	-	SEE SHEET 1	-	-	-



7. SOLDER TAIL DETAIL
SCALE 10 : 1

⚠ SOLDER TERMINATION AREA
 SCALE 40:1
 RECOMMENDED PRINTED CIRCUIT SOLDER HOLE
 FINISHED HOLE: $\varnothing 1.02 [.040] \pm .08 [.003]$
 DRILLED HOLE: $\varnothing 1.15 [.0453] \pm .013 [.0005]$
 COPPER PLATE: .025 [.0010] MIN (PER SURFACE)
 TIN PLATE: .008 [.0003] MIN. (PER SURFACE)



6. COMPLIANT TAIL DETAIL
 SCALE 10 : 1
 INSERTION/EXTRACTION FORCES
 MAXIMUM PUSH IN: 133.3N PER PIN
 MINIMUM PUSH OUT: 44.4N PER PIN

<small>TOP DIMENSIONS CONTAIN THE TOLERANCES UNLESS OTHERWISE SPECIFIED. DIMENSIONS ARE UNLESS OTHERWISE SPECIFIED.</small>		DWG: R. GRZYBOWSKI 26 JUN08 CD: P. DAMATO 26 JUN08 APPD: S. ELICKLINGER 26 JUN08	Tyco Electronics Harrisburg, PA 17105-3608
DIMENSIONS: mm	TOLERANCES UNLESS OTHERWISE SPECIFIED: 0 PLC ±.5 1 PLC ±.25 2 PLC ±.25 3 PLC ±.25 4 PLC ±.25 ANGLES ±.5	NAME: S. ELICKLINGER PRODUCT SPEC: APPLICATION SPEC: WEIGHT: FINISH: CUSTOMER DRAWING	TITLE: SOCKET CONNECTOR SOLDER AND COMPLIANT TAIL SERVERPAK SHEET: A200779 CASE CODE: C-6648056 DRAWING NO: RESTRICTED TO:
MATERIAL:		WEIGHT:	SCALE: 3:1 SHEET 4 OF 4 REV B